



INSTALLATION INSTRUCTIONS

French-Door, Bottom-Freezer Free-Standing Refrigerator

Pour obtenir une version française de ce manuel d'instructions,
visitez notre site monogram.com.

Para consultar una versión en español de este manual de instrucciones,
visite nuestro sitio de internet monogram.com.

Safety Information

BEFORE YOU BEGIN

Read these instructions completely and carefully.

- **IMPORTANT** – Save these instructions for local inspector's use. Observe all governing codes and ordinances.
- **Note to Installer** – Be sure to leave these instructions with the Consumer.
- **Note to Consumer** – Keep these instructions with your Owner's Manual for future reference.

Skill Level – Installation of this refrigerator requires basic mechanical, carpentry and plumbing skills. Proper installation is the responsibility of the installer. Product failure due to improper installation is not covered under the GE Appliances Warranty. See the Owner's Manual for warranty information.

If you received a damaged refrigerator, you should immediately contact your dealer or builder.

⚠ WARNING

When using this appliance, always exercise basic safety precautions, including the following:

- This appliance must be properly grounded. See "Grounding the Refrigerator," page 6.
- Use this appliance only for its intended purpose.
- Immediately repair or replace electric service cords that become frayed or damaged.
- Unplug the refrigerator before cleaning or making repairs.
- Repairs should be made by a qualified service technician.
- To reduce the risk associated with choking, do not allow children under 3 years of age to have access to small parts during the installation of this product.

⚠ CAUTION

Due to the weight and size of this refrigerator, and to reduce the risk of personal injury or damage to the product – **TWO PEOPLE ARE REQUIRED FOR PROPER INSTALLATION.**

For Monogram local service in your area, visit monogram.com

For Monogram service in Canada, visit monogram.ca

For Monogram Parts and Accessories, visit monogram.com/use-and-care/parts

CONTENTS

Planning Information

Product Dimensions and Clearances..... 4

Installation Instructions

Tools, Hardware, Materials 6

Grounding the Refrigerator 6

Step 1. Measure Cabinet Opening 7

Step 2. Install Anti-Tip Bracket 7

Step 3. Install the Refrigerator 9

Step 4. Remove the Freezer Drawer 9

Step 5. Remove the Refrigerator Doors 9

Step 6. Move the Refrigerator 11

Step 7. Replace the Freezer Drawer 11

Step 8. Level the Freezer Drawer..... 11

Step 9. Replace Refrigerator Doors 12

Step 10. Install Water Line 12

Step 11. Connect Water Supply 13

Step 12. Plug in the Refrigerator 14

Step 13. Level the Refrigerator 14

Step 14. Level Doors 15

Step 15. Remove Packaging, Start Icemaker 15

Step 16. Temperature Controls..... 15

Step 17. Purging the Water System..... 15

Information de sécurité/ Información de seguridad

⚠ AVERTISSEMENT

Lorsque vous utilisez le réfrigérateur, observez toujours certaines précautions de base, notamment :

- Cet électroménager doit être mis à la terre correctement. Voir « Mise à la terre du réfrigérateur » à la page 6.
- Il ne faut utiliser cet appareil que pour l'utilisation appropriée.
- Réparer ou remplacer immédiatement tout cordon électrique effiloché ou endommagé.
- Il faut débrancher le réfrigérateur avant le nettoyage ou toute intervention.
- Les réparations doivent être faites par un technicien qualifié.
- Pour réduire le risque d'étouffement pendant l'installation de ce produit, ne pas laisser les petites pièces à la portée des enfants âgés de moins de 3 ans.

⚠ ATTENTION

À cause du poids et de la taille de ce réfrigérateur et pour réduire le risque de blessure et de dommages, IL FAUT DEUX PERSONNES POUR FAIRE L'INSTALLATION CORRECTEMENT.

⚠ ADVERTENCIA

Al usar este electrodoméstico, siempre siga las precauciones básicas de seguridad, incluyendo lo siguiente:

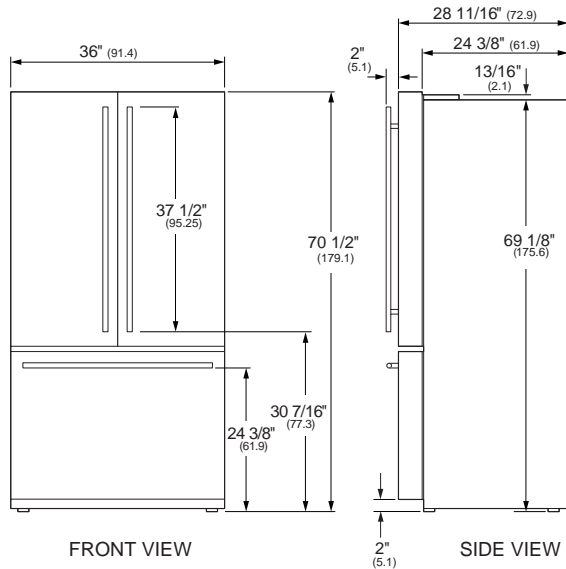
- Este electrodoméstico deberá estar conectado a tierra de forma adecuada. Consulte "Cómo Conectar a Tierra el Refrigerador", página 6.
- Use este electrodoméstico sólo para su propósito original.
- De forma inmediata, repare o reemplace los cables del servicio eléctrico que sufran daños o peladuras.
- Desenchufe el refrigerador antes de realizar su limpieza o reparaciones.
- Cualquier reparación deberá ser realizada por un técnico calificado del servicio técnico.
- A fin de reducir el riesgo asociado con asfixia, no permita que los niños menores de 3 años tengan acceso a las partes pequeñas durante la instalación de este producto

⚠ PRECAUCIÓN

Debido al peso y tamaño de este refrigerador, y a fin de reducir el riesgo de lesiones personales o daños sobre el producto - SE DEBERÁ CONTAR CON DOS PERSONAS PARA UNA INSTALACIÓN ADECUADA.

Planning Information

PRODUCT DIMENSIONS AND CLEARANCES ZWE23E Models



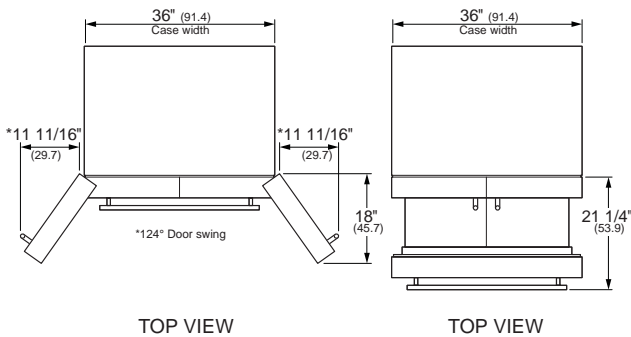
SPECIFICATIONS	
Overall Width	36" (91.4 cm)
Overall Height	70 1/2" (179.1 cm)
Overall Depth	30 11/16" (77.9 cm)
Door Clearance	21 1/4" (54 cm)
Cutout Width	36 1/4" (92.1 cm)
Cutout Height	71" (180.3 cm)
Cutout Depth	26 3/8" (67 cm)
Plumbing Requirements	1/4" OD copper tubing or GE SmartConnect kit
Shipping Weight	400 lb (181.4 kg)

ATTENTION ELECTRICIAN:

A 115 volt 60Hz., 15 or 20 amp power supply is required. An individual properly rounded branch circuit or circuit breaker is recommended. Install a properly grounded 3-prong electrical receptacle recessed into the back wall.

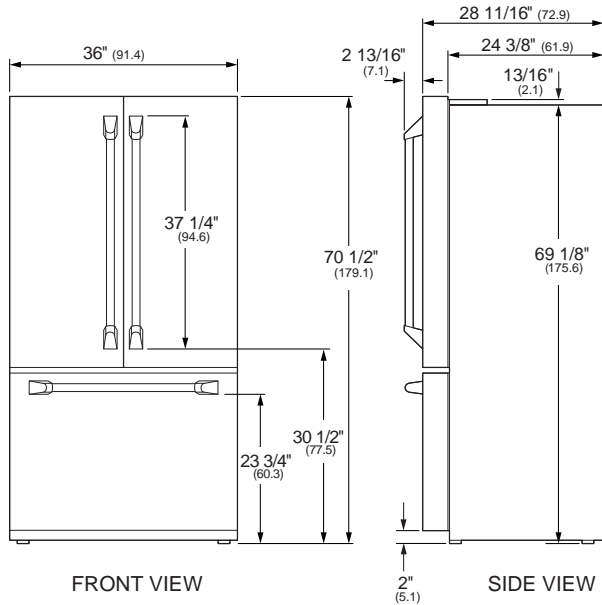
Air Gap Installation Dimensions:

- 1/8" (0.3 cm) on each side
- 1" (2.5 cm) at the top
- 2" (5.1 cm) at the back



Planning Information

PRODUCT DIMENSIONS AND CLEARANCES ZWE23P Models



SPECIFICATIONS

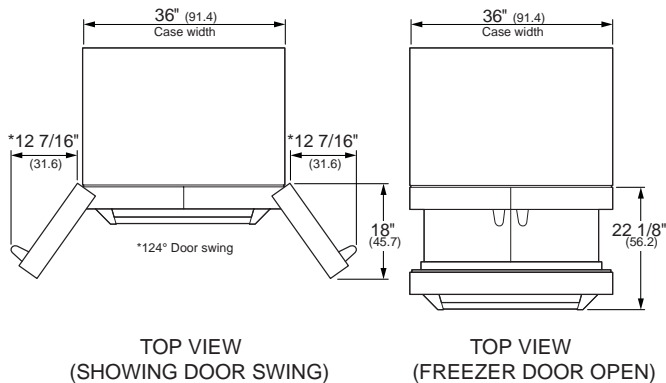
Overall Width	36" (91.4 cm)
Overall Height	70 1/2" (179.1 cm)
Overall Depth	31 1/2" (80 cm)
Door Clearance	22 1/8" (56.2 cm)
Cutout Width	36 1/4" (92.1 cm)
Cutout Height	71" (180.3 cm)
Cutout Depth	26 3/8" (67 cm)
Plumbing Requirements	1/4" OD copper tubing or GE SmartConnect kit
Shipping Weight	400 lb (181.4 kg)

ATTENTION ELECTRICIAN:

A 115 volt 60Hz., 15 or 20 amp power supply is required. An individual properly rounded branch circuit or circuit breaker is recommended. Install a properly grounded 3-prong electrical receptacle recessed into the back wall.

Air Gap Installation Dimensions:

- 1/8" (0.3 cm) on each side
- 1" (2.5 cm) at the top
- 2" (5.1 cm) at the back



Installation Instructions

TOOLS REQUIRED

- Adjustable wrench
- 3/8" socket ratchet/driver
- Phillips head screwdriver
- Flat-Head Screwdriver
- 5/32", 3/32", 1/8", 1/4" Allen wrenches
- 1/8" Drill bit and electric or hand drill
- Tape measure
- Pencil
- Wire cutters
- 1/4" Nut driver
- Level
- Torx T20, T25

MATERIALS REQUIRED

- 1/4" O.D. compression nut and 2 ferrules (sleeves)
OR SmartConnect™ Refrigerator Tubing Kits

FLOORING

For proper installation, this refrigerator must be placed on a level surface of hard material that is at the same height as the rest of the flooring. This surface should be strong enough to support a fully loaded refrigerator.

IMPORTANT NOTE: Protect the finish of the flooring. Cut a large section of the cardboard carton and place under the refrigerator where you are working.

GROUNDING THE REFRIGERATOR

IMPORTANT – (Please read carefully)

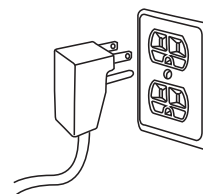
FOR PERSONAL SAFETY, THIS APPLIANCE MUST BE PROPERLY GROUNDED.

The power cord of this appliance is equipped with a 3-prong (grounding) plug which mates with a standard 3-prong (grounding) wall receptacle to minimize the possibility of electric shock hazard from this appliance.

Have the wall outlet and circuit checked by a qualified electrician to make sure the outlet is properly grounded.

Where a standard 2-prong wall outlet is encountered, it is your personal responsibility and obligation to have it replaced with a properly grounded 3-prong wall outlet.

DO NOT, UNDER ANY CIRCUMSTANCES, CUT OR REMOVE THE THIRD (GROUND) PRONG FROM THE POWER CORD.



DO NOT USE AN ADAPTER PLUG TO CONNECT THE REFRIGERATOR TO A 2-PRONG OUTLET.

DO NOT USE AN EXTENSION CORD WITH THIS APPLIANCE.

Installation Instructions

⚠ WARNING



Tip Over Hazard.

Built-in style models (ZWE) are top heavy, especially with any doors open. These models must be secured with the anti-tip floor bracket to prevent tipping forward, which could result in death or serious injury. Read and follow the entire installation instructions for installing the anti-tip floor bracket packed with your refrigerator.

⚠ AVERTISSEMENT



Risque de basculement

Les modèles encastrés (ZWE) sont plus lourds au niveau de leur partie supérieure, surtout avec les portes ouvertes. Ces modèles doivent être fixés à l'aide du système anti-basculement par fixation au sol pour éviter que l'appareil ne bascule vers l'avant, ce qui pourrait entraîner des blessures graves, voire mortelles. Lisez et suivez les instructions d'installation complètes pour l'installation du système anti-basculement par fixation au sol livré avec votre réfrigérateur.

⚠ ADVERTENCIA



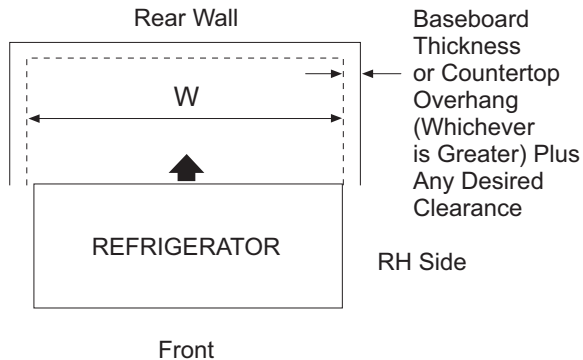
Riesgo de Caídas

Los modelos con estilo incorporado (ZWE) son inestables, especialmente con las puertas abiertas. Estos modelos deben ser asegurados con el soporte antivolcaduras, a fin de evitar caídas hacia adelante, que podrían resultar en la muerte o lesiones graves. Lea y siga las instrucciones de instalación en su totalidad, a fin de instalar el soporte de piso antivolcaduras embalado con su refrigerador.

STEP 1 MEASURE CABINET OPENING AVAILABLE VS. REFRIGERATOR WIDTH

Measure width of cabinet opening where refrigerator will be placed, W .

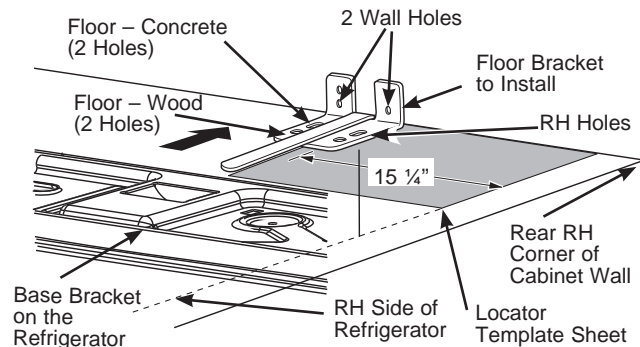
Be sure to account for any countertop overhang, baseboard thickness and any clearance desired. Width, W , should not be less than 36 inches. The refrigerator will be placed approximately in the middle of this opening.



STEP 2 LOCATE ANTI-TIP BRACKET

- A. Place the anti-tip floor bracket locator template (included inside the anti-tip kit) onto the floor up against the rear wall, within W , and in line with the

Figure 1 – Installation Overview



desired location of the RH side of the refrigerator (see Figure 1).

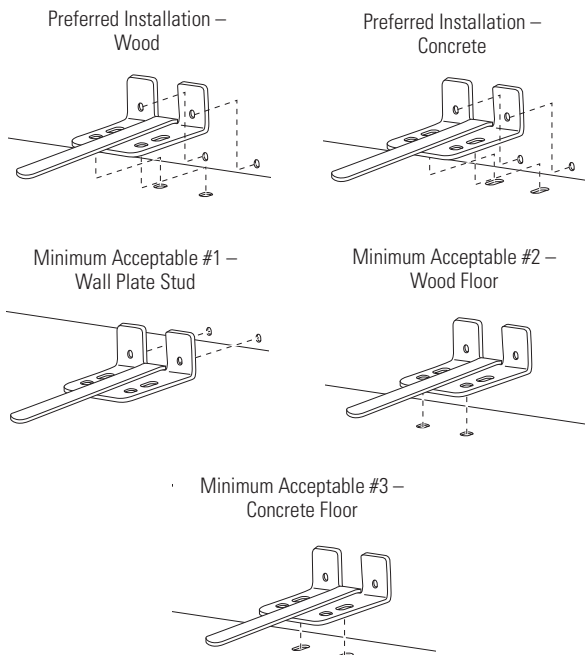
- B. Place the anti-tip floor bracket onto the locator template with its RH floor holes lined up with the floor holes indicated on the template sheet, approximately 15-1/4" (38.74 cm) from the edge of the sheet or the RH side of the refrigerator.
- C. Hold down in position and use the anti-tip floor bracket as a template for marking the holes based upon your configuration and type of construction as shown in Step 3. Mark the hole locations with a pencil, nail or awl.

NOTE: It is REQUIRED to use at least 2 screws to mount the floor bracket (one on each side of the anti-tip floor bracket). Both must be into either the wall or the floor. Figure 2 indicates all the acceptable mounting configurations for screws. Identify the screw holes on the anti-tip floor bracket for your configuration.

Installation Instructions

STEP 2A LOCATE ANTI-TIP FLOOR BRACKET (CONT.)

Figure 2 – Acceptable Screw Placement Locations



STEP 2B INSTALL ANTI-TIP BRACKET (CONT.)

CONCRETE Wall and Floor Construction:

- A. Anchors required (not provided):
4 each 1/4" x 1 1/2" lag bolts
4 each 1/2" O.D. sleeve anchors
- B. Drill the recommended size holes for the anchors into the concrete at the center of the holes marked in Step 2.
- C. Install the sleeve anchors into the drilled holes. Place the anti-tip floor bracket as indicated in Step 2. Remove the locator template from the floor.
- D. Install the lag bolts through the anti-tip floor bracket and tighten appropriately.

WOOD Wall and TILE Floor Construction:

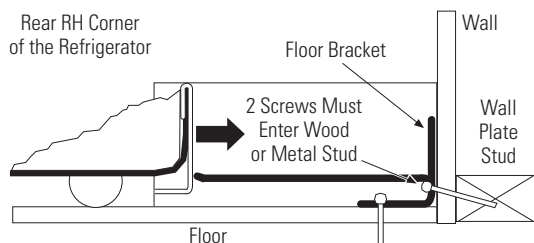
- A. For this special case, locate the 2 wall holes identified in Fig. 2. Drill an angled 1/8" pilot hole (approx. as shown in Fig. 3) in the center of each hole.
- B. Mount the anti-tip floor bracket using the Minimum Acceptable Installation #1, as illustrated in Fig. 2.

STEP 2B INSTALL ANTI-TIP BRACKET

WOOD Wall and Floor Construction:

- A. Drill the appropriate number of 1/8" pilot holes in the center of each floor bracket hole being used (a nail or awl may be used if a drill is not available) AND remove the locator template from the floor.
- B. Mount the anti-tip floor bracket by fastening the 2, or preferably 4, #10-16 hex-head screws tightly into place as illustrated in Figure 3.

Figure 3 – Attachment to Wall and Floor



STEP 2C POSITION THE REFRIGERATOR TO ENGAGE THE ANTI-TIP FLOOR AND BASE BRACKETS

- A. Before pushing the refrigerator into the opening, plug the power cord into the receptacle and connect waterline (if equipped). Check for leaks.
- B. Locate the refrigerator's RH side and move back approximately in line with the RH side of the cabinet opening, W. This should position the anti-tip floor bracket to engage the anti-tip base bracket on the refrigerator.
- C. Gently roll the refrigerator back into the cabinet opening until it comes to a complete stop. Check to see if the refrigerator front lines up with the cabinet front face. If not, carefully rock the refrigerator forward and backward until engagement occurs and you notice that the refrigerator is fully pushed up against the rear wall.
- D. OPTIONAL: Adjust the rear (and front) wheel height settings to fully engage the rear anti-tip brackets, while also aligning the refrigerator front with the cabinet front face.

NOTE: If you pull the refrigerator out and away from the wall for any reason, make sure the anti-tip floor bracket is engaged when the refrigerator is pushed back against the wall rear wall.

Installation Instructions

STEP 3 BEFORE MOVING REFRIGERATOR INDOORS

IMPORTANT: Doors and passageways into the installation location require a 31-1/2" (80 cm) min. opening. If the opening is less than 31-1/2" (80 cm), the top cap, doors and drawers must be removed. (See steps 4–6.)

NOTE: Skip steps 4–5 if door removal is not required. Go to page 10, Move The Refrigerator.

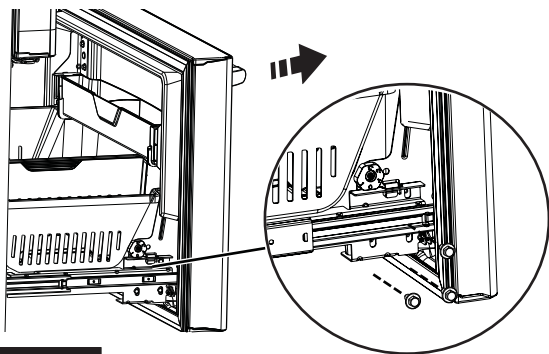
NOTE: To prevent damage, leave inside packaging, door spacer and outside protective wrap in place until the unit is moved to the installation location.

STEP 4 REMOVE THE FREEZER DRAWER

The freezer drawer can be removed, if needed, to fit through tight areas.

Read these instructions completely and carefully.

- A. Pull the freezer door open to full extension.
- B. Remove 3 attachment screws, located at the bottom on each side of the freezer door using 3/8" hex socket driver.



▲ CAUTION Lifting Hazard

Freezer door is heavy. Use both hands to secure the door before lifting.

▲ ATTENTION Avertissement de porte lourde.

La porte du compartiment congélateur est lourde. Utilisez les deux mains pour stabiliser la porte avant de la soulever.

▲ PRECAUCIÓN Riesgo al levantar la puerta

La puerta del freezer es pesada. Use ambas manos para asegurar la puerta antes de levantar la misma.

- C. Lift the freezer door to disengage it from the slide mechanism. The door can safely rest on the bottom. Do not rest the door on any other surfaces to avoid scratches. Push the slide mechanism back completely until it self retracts.

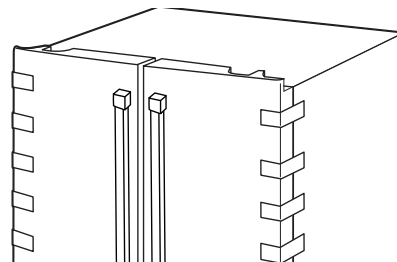
STEP 5 REMOVE THE REFRIGERATOR DOORS

▲ WARNING Follow all steps for removing and reinstalling the door. Failure to follow these instructions, leaving off parts, or overtightening screws, can lead to the door falling off and result in injury and property damage.

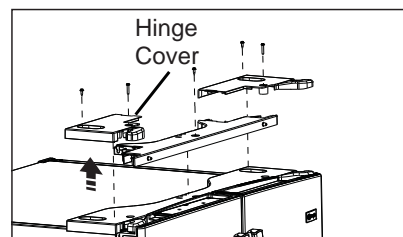
▲ AVERTISSEMENT Suivez toutes les étapes pour enlever et réinstaller la porte. La porte risque de tomber en plus de causer des blessures ou des dommages si vous ne respectez pas ces instructions, oubliez des pièces ou effectuez un serrage excessif des vis.

▲ ADVERTENCIA Siga todos los pasos para retirar y volver a instalar la puerta. Si no se siguen estas instrucciones, dejando piezas sin uso o ajustando tornillos en exceso, esto podrá hacer que la puerta se caiga y producir lesiones y daños sobre la propiedad.

- A. Securely tape the door shut with masking tape or have a second person support the door.



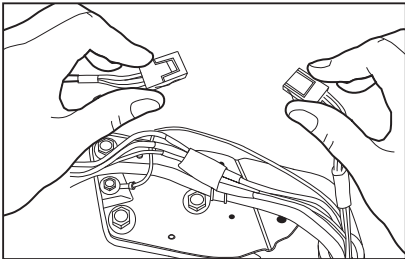
- B. Start with left-hand door first: Remove the hinge cover on top of the left refrigerator door by removing all hex screws and pulling it up. Do the same for the right-hand door and the middle cover.



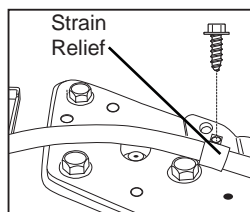
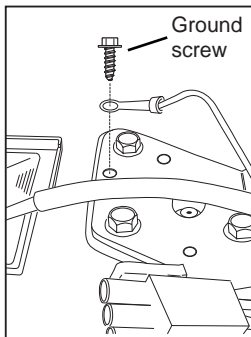
Installation Instructions

STEP 5 REMOVE THE REFRIGERATOR DOORS (CONT)

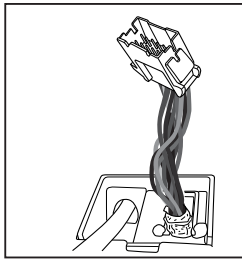
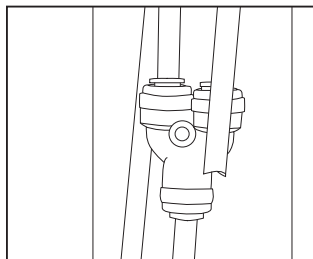
C. Disconnect both electrical connectors at the top cover.



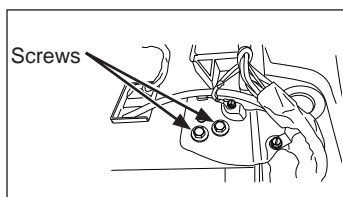
Remove the 1/4" hex head screw to disconnect the ground wire from the hinge.
Remove the 1/4" hex head screw to remove the strain relief from the water line.



D. Disconnect the water line from the back of the unit by pressing down on the dark grey collar while pulling up on the water line.
Pull waterline through case conduit from the top to free the line for door removal. The water line is more than 4' long and may need to be taped to Door for accessibility when reinstalling.



E. Using a 3/8" socket ratchet/driver, remove the screws securing the top hinge to the cabinet, then lift the hinge straight up to free the hinge pin from the location in the top of the door.



STEP 5 REMOVE THE REFRIGERATOR DOORS (CONT)

CAUTION Lifting Hazard.

Single person lift could cause injury. Use assistance when handling, moving or lifting the refrigerator doors.

ATTENTION Avertissement de porte lourde.

Le soulèvement de la porte par une seule personne peut présenter un risque de blessure. Obtenir de l'assistance lors de la manipulation, du déplacement ou du soulèvement des portes du réfrigérateur.

PRECAUCIÓN Riesgo al levantar la puerta

Si es levantada por una sola persona, podrían ocasionarse lesiones. Solicite ayuda al sostener, mover o levantar las puertas del refrigerador.

NOTE: when removing door, to prevent damage to door and electronics, carefully place the door in a proper location.

NOTE: The lower door hinge pin and hinge are keyed and must be matched correctly for the door to self close properly. Please follow the directions carefully.

NOTE: for proper installation later, please follow the next step carefully.

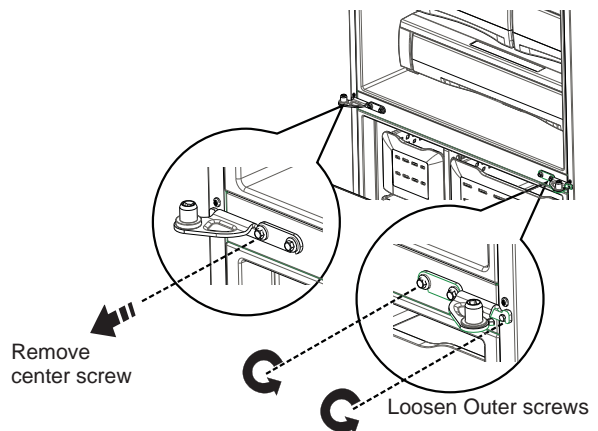
F. Refrigerator doors to be **REMOVED** and **INSTALLED** opened at 90° with case front.

REMOVE OPPOSITE DOOR

Follow the same procedure on the opposite door. There are no wires or water lines on the opposite side.

G. **REMOVE CENTER HINGE (if necessary)**

Remove the 3/8" screws securing the center hinge to the cabinet. Use T20 driver to remove outboard screw.



Installation Instructions

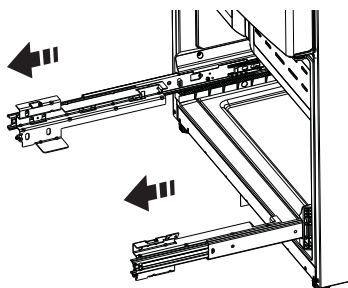
STEP 6 MOVE THE REFRIGERATOR

- Place a piece of the carton or soft cloth against the side panel of the refrigerator to pad and protect the stainless steel finish.
- Place the refrigerator on the handtruck **with a side against the truck only**.
- Move the refrigerator indoors. Place refrigerator close to the installation location.

STEP 7 REPLACE THE FREEZER DRAWER

ATTACH AND SECURE THE DRAWER FRONT TO THE SLIDES

- Pull the slide Mechanism to full extension using both hands simultaneously.
- Remove the basket resting on the slides.



⚠ CAUTION Lifting Hazard

Freezer door is heavy Use both hands to secure the door before lifting.

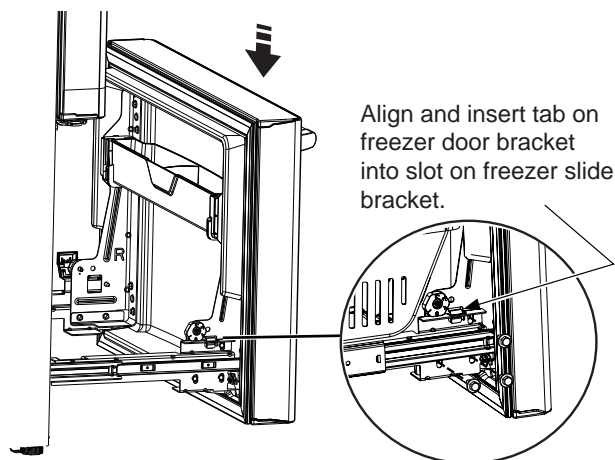
⚠ ATTENTION Avertissement de porte lourde.

La porte du compartiment congélateur est lourde. Utilisez les deux mains pour stabiliser la porte avant de la soulever.

⚠ PRECAUCIÓN Riesgo al levantar la puerta

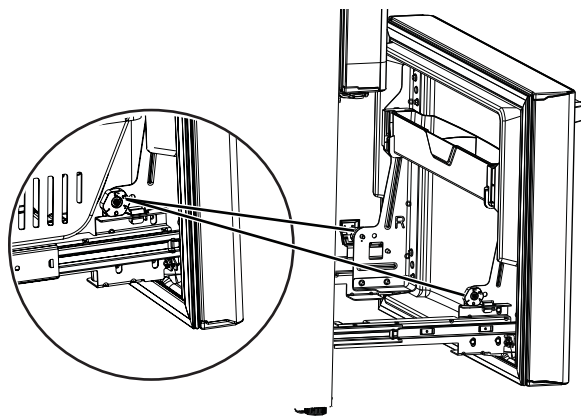
La puerta del freezer es pesada. Use ambas manos para asegurar la puerta antes de levantar la misma.

- Lift the freezer door and place it on the slide mechanism
- Replace the attachment screws and torque the screws to 65 in-lb (7.34 N-m).
- Adjust freezer door gap if necessary.

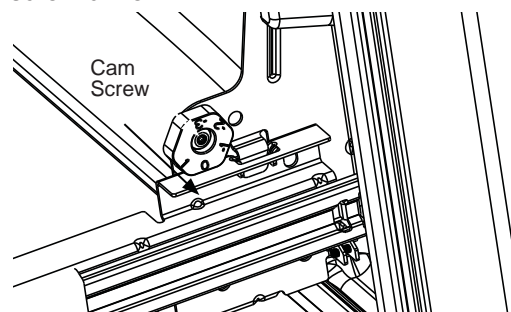


STEP 8 LEVEL THE FREEZER DRAWER

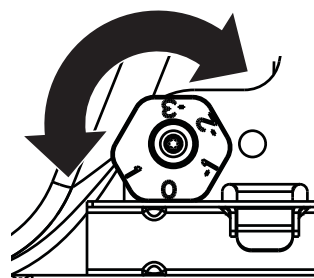
- Locate the height adjuster cam in the freezer door. Slightly loosen the three door attachment screws on both sides using a 3/8" hex socket driver.



- Locate and loosen the cam screw using the T-27 screw driver.



- Lift the door on the side requiring adjustment, rotate the cam to required position.
- After adjustment tighten the 3 attachment screws using to 65 in-lb (7.34 N-m).



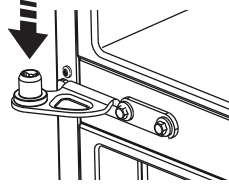
- 0 - Initial position
- 1 - Lift by 0.050" (0.127 cm)
- 1 - Lower by 0.050" (0.127 cm)
- 2 - Lower by 0.100" (0.254 cm)
- 3 - Lower by 0.150" (0.381 cm)

Installation Instructions

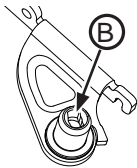
STEP 9 REPLACE REFRIGERATOR DOORS

Reverse steps 1 through 4 to reinstall refrigerator, follow details below for critical alignments.

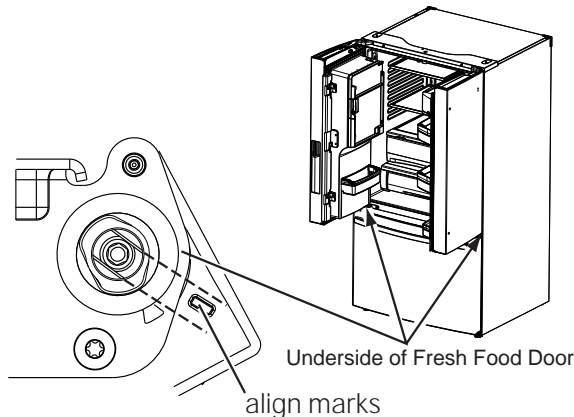
- A.** Reinstall center hinge first and torque the ¼" screw to 65 in-lbs (7.34 N-m) and small screw to 25 in-lbs (2.82 N-m). Rotating the screw by 1/3 turn after it is flush with mating surface will achieve these torques.



- B.** If the hinge on your refrigerator has a slot that looks like image B on the right, follow the steps below. Otherwise, skip to step C.



With the LH door at 90° + to the front of the case, lower the refrigerator door. Ensure the door and hinge align correctly. Rotate door closed and make sure moveable center sealing portion of the door aligns with the striker. If door cannot be installed at 90°, follow these next steps. Install door at 90° to case front. If space or model limits opening door to less than 180°, remove door and carefully turn door upside down. Check alignment of the door. There is an alignment mark on the door closure mechanism that corresponds to an alignment mark on the bottom end cap. Rotate door closure mechanism to align mark and arrow.



- C.** If the hinge on your refrigerator does not have a slot and looks like image C on the right, then simply lower the outer hole of the door on the hinge



- D.** Securely tape the door shut with masking tape or have a second person support the door.

- E.** Follow the same procedure to install the opposite door. There are no wires, water lines or center hinge covers on the opposite door.

STEP 9 REPLACE REFRIGERATOR DOORS (Cont.)

- F.** Be sure to reinstall the ground wire and strain relief to the top hinge.
- G.** Reinstall hinge cover. **NOTE:** Ensure wires are not pinched or under screw bosses before tightening screws.

STEP 10 INSTALL WATER LINE

Recommended copper water supply kits are WX8X2, WX8X3 or WX8X4, depending on the amount of tubing you need. Approved plastic water supply lines are SmartConnect™ Refrigerator Tubing (WX08X10006, WX08X10015 and WX08X10025).

When connecting your refrigerator to a Reverse Osmosis Water System, the only approved installation is with a GE Appliances RVKit. For other reverse osmosis water systems, follow the manufacturer's recommendations.

If the water supply to the refrigerator is from a Reverse Osmosis Water Filtration System (RO) AND the refrigerator also has a water filter, use the refrigerator's filter bypass plug. Using the refrigerator's water filtration cartridge in conjunction with an RO water filter can result in hollow ice cubes. Some models do not come equipped with the filter bypass plug. To obtain a free bypass plug, call 800-GECARES. In Canada call 888.880.3030.

This water line installation is not warranted by the refrigerator or ice maker manufacturer. Follow these instructions carefully to minimize the risk of expensive water damage.

Water hammer (water banging in the pipes) in house plumbing can cause damage to refrigerator parts and lead to water leakage or flooding. Call a qualified plumber to correct water hammer before installing the water supply line to the refrigerator.

To prevent burns and product damage, do not hook up the water line to the hot water line.

Do not install the ice maker tubing in areas where temperatures fall below freezing.

When using any electrical device (such as a power drill) during installation, be sure the device is double insulated or grounded in a manner to prevent the hazard of electric shock, or is battery powered.

All installations must be in accordance with local plumbing code requirements.

- Copper or SmartConnect™ Refrigerator Tubing kit, 1/4" outer diameter to connect the refrigerator to the water supply. If using copper, be sure both ends of the tubing are cut square.

To determine how much tubing you need: measure the distance from the water valve on the back of the refrigerator to the water supply pipe. Be sure there is sufficient extra tubing to allow the refrigerator to move out from the wall after installation.

Installation Instructions

STEP 10 INSTALL WATER LINE

SmartConnect™ Refrigerator Tubing Kits are available in the following lengths:

6' (1.8 m) – WX08X10006

15' (4.6 m) – WX08X10015

25' (7.6 m) – WX08X10025

STEP 11 CONNECT WATER SUPPLY

A cold water supply is required for automatic ice maker operation. If there is not a cold water supply, you will need to provide one. See Installing the Water Line section.

NOTES:

- Before making the connection to the refrigerator, be sure the refrigerator power cord is not plugged into the wall outlet.
- If your refrigerator does not have a water filter, we recommend installing one if your water supply has sand or particles that could clog the screen of the refrigerator's water valve. Install it in the water line near the refrigerator. If using SmartConnect™ Refrigerator Tubing Kit, you will need an additional tube (WX08X10002) to connect the filter. Do not cut plastic tube to install filter.
- Before connecting the water line to the house, purge the house line for at least 2 minutes.

- A.** If you are using copper tubing, place a compression nut and ferrule (sleeve) onto the end of the tubing coming from the house cold water supply. If you are using the SmartConnect™ tubing, the nuts are already assembled to the tubing.

- B.** If you are using copper tubing, insert the end of the tubing into the refrigerator connection, at the back of the refrigerator, as far as possible. While holding the tubing, tighten the fitting.

If you are using SmartConnect™ tubing, insert the molded end of the tubing into the refrigerator connection, at the back of the refrigerator, and tighten the compression nut until it is hand tight. Then tighten one additional turn with a wrench. Over tightening may cause leaks.

- C.** Fasten the tubing into the clamp provided to hold it in position. You may need to pry open the clamp.
- D.** Turn on the water at the shut-off valve to check for leaks.

⚠ WARNING

Connect to potable water supply only. A cold water supply is required for automatic icemaker operation. The water pressure must be between 40 and 120 psi (275-827 kilopascals).

⚠ AVERTISSEMENT

Raccordez-vous à une alimentation en eau potable seulement. Une alimentation en eau potable est requise pour le fonctionnement de la machine à glaçons. La pression d'eau doit se situer entre 40 et 120 psi (275 à 827 kilopascals).

⚠ ADVERTENCIA

Realice la conexión a un suministro de agua potable únicamente. Se requiere un suministro de agua fría para el funcionamiento de la máquina de hielos automática. La presión del agua deberá estar entre 40 y 120 psi (275-827 kilopascals).

⚠ WARNING Electrical Shock Hazard.

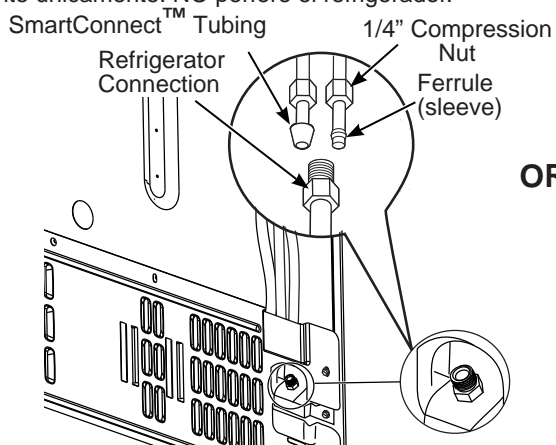
Attach tubing clamp using existing hole only. DO NOT drill into the refrigerator.

⚠ AVERTISSEMENT RISQUE DE DÉCHARGE ÉLECTRIQUE

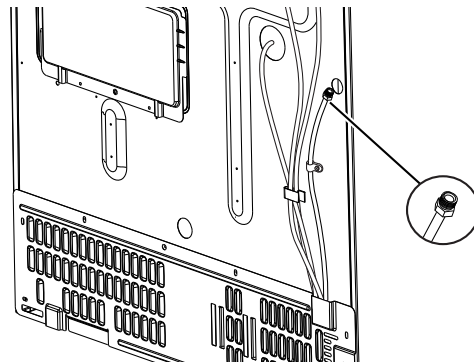
Fixez le collier de serrage dans le trou présent seulement. NE PERCEZ PAS dans le réfrigérateur.

⚠ ADVERTENCIA PELIGRO DE DESCARGA ELÉCTRICA

Adhiera la abrazadera de la tubería usando el agujero existente únicamente. NO perfore el refrigerador.



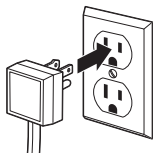
OR



Installation Instructions

STEP 12 PLUG IN THE REFRIGERATOR

See the grounding information attached to the power cord.

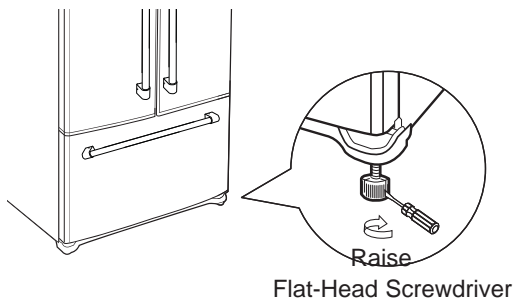


STEP 13 LEVEL THE REFRIGERATOR

The leveling legs have two purposes:

- Leveling legs adjust so the refrigerator is firmly positioned on the floor and does not wobble.
- Leveling legs serve as a stabilizing brake to hold the refrigerator securely in position during operation and cleaning. The leveling legs also prevent the refrigerator from tipping.

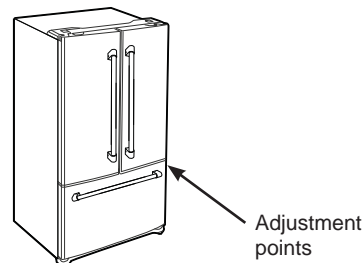
Turn the leveling legs clockwise to raise the refrigerator, counterclockwise to lower it.



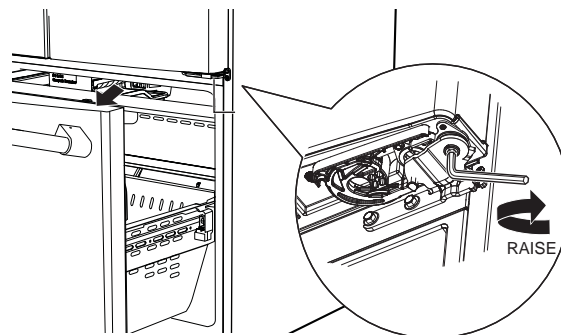
NOTICE: To avoid possible property damage, the leveling legs must be firmly touching the floor.

STEP 14 LEVEL THE DOORS

Remember a level refrigerator is necessary for getting the doors perfectly even. If you need help, review the previous section on leveling the refrigerator.

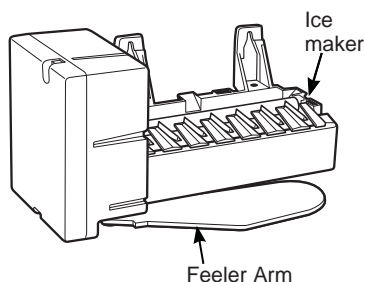


- A. If you open the freezer door, you can see the center hinge.
- B. Insert 1/4" Allen wrench into the shaft of the center hinge.
- C. Adjust the height by turning clockwise or counterclockwise. When you turn counterclockwise, the door will move up.



Installation Instructions

STEP 15 REMOVE PACKAGING, START ICEMAKER



- A. Remove all tape, foam and protective packing from shelves and drawers.
- B. Remove the tie downs from the freezer baskets.

Turn the Icemaker On/Off from temperature control panel.

The ice maker will fill with water when it cools to 15°F (-10°C). A newly installed refrigerator may take 12 to 24 hours to begin making ice cubes.

It is normal for ice to appear discolored in the first 24 hours of production, or after water filter replacement. For Non Dispense models, throw away the first bin of ice production.

NOTE: In lower water pressure conditions, the water valve may turn on up to 3 times to deliver enough water to the icemaker.

STEP 16 TEMPERATURE CONTROLS

- The temperature controls are preset at 37°F (2.77°C) for the refrigerator and 0°F (-17.77°C) for the freezer.
- Allow 24 hours to stabilize before making adjustments.

STEP 17 PURGING THE WATER SYSTEM

Once the unit is on, press the dispenser button/paddle and dispense water for at least 5 minutes to remove air from the water line, and flush the filter. The first few batches of ice should also be discarded. For Non Dispense models, throw away the first bin of ice production.

NOTE: While performing installations described in this book, safety glasses or goggles should be worn.

NOTE: Product improvement is a continuing endeavor at GE Appliances. Therefore, materials, appearance and specifications are subject to change without notice.



INSTRUCTIONS D'INSTALLATION

**Réfrigérateur à portes françaises
et congélateur en bas**

FRANÇAIS

MONOGRAM.COM

Consignes de sécurité

AVANT DE COMMENCER

Veillez lire les instructions attentivement et en totalité.

• **IMPORTANT** – Conservez ces instructions pour l'inspecteur local. Observez tous les codes et règlements en vigueur.

• **Note à l'intention de l'installateur** – Veuillez laisser ces instructions au consommateur.

• **Note à l'intention du consommateur** – Conservez ces instructions avec votre manuel d'utilisation pour référence.

Niveau de compétence – L'installation de ce réfrigérateur exige des compétences de base en mécanique, menuiserie et plomberie. Il est de la responsabilité de l'installateur de procéder à une installation correcte. La garantie GE Appliances ne couvre pas les défauts du produit découlant d'une installation incorrecte. Consultez le manuel d'utilisation pour plus d'informations.

Si vous recevez un réfrigérateur endommagé, vous devez contacter votre revendeur ou votre entrepreneur.

⚠ AVERTISSEMENT

Lorsque vous utilisez le réfrigérateur, observez toujours certaines précautions de base, notamment :

- Cet électroménager doit être mis à la terre correctement. Voir « Mise à la terre du réfrigérateur » à la page 5.
- Utilisez cet électroménager uniquement aux fins auxquelles il est destiné.
- Réparez ou remplacez immédiatement les cordons électriques effilochés ou endommagés.
- Débranchez le réfrigérateur avant de le nettoyer ou de le réparer.
- Les réparations doivent être effectuées par un technicien qualifié.
- Pour réduire le risque d'étouffement pendant l'installation de ce produit, ne laissez pas les petites pièces à la portée des enfants âgés de moins de 3 ans.

⚠ ATTENTION

Étant donné le poids et la taille de ce réfrigérateur, **DEUX PERSONNES DOIVENT PARTICIPER À L'INSTALLATION** afin de réduire le risque de blessure corporelle et de dommage au produit.

Pour joindre le service Monogram de votre région, visitez monogram.com

Pour le service Monogram au Canada, visitez monogram.ca

Pour le service des Pièces et accessoires Monogram, visitez monogram.com/use-and-care/parts.

SOMMAIRE

Planification

Dimensions et dégagements 3

Instructions d'installation

Outils, quincaillerie, matériaux 5

Mise à la terre du réfrigérateur 5

Étape 1, Mesure de l'ouverture dans le meuble 6

Étape 2, Installation du support anti-basculement 6

Étape 3, Installation du réfrigérateur 7

Étape 4, Retrait du tiroir de congélation 8

Étape 5, Retrait des portes du réfrigérateur 8

Étape 6, Déplacement du réfrigérateur 9

Étape 7, Remise en place du tiroir

de congélation 10

Étape 8, Nivellement du tiroir de congélation 10

Étape 9, Remise en place des portes

du réfrigérateur 11

Étape 10, Installation du tuyau d'alimentation

en eau 11

Étape 11, Branchement de l'alimentation d'eau 12

Étape 12, Branchement de l'alimentation électrique 12

Étape 13, Nivellement du réfrigérateur 13

Étape 14, Nivellement des portes 13

Étape 15, Retrait de l'emballage, mise

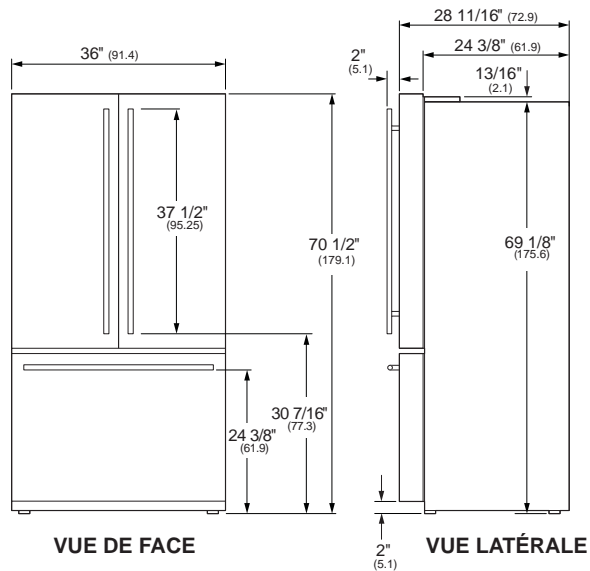
en marche de la machine à glaçons 13

Étape 16, Commandes de température 13

Étape 17, [Purging the water system](#) 13

Planification

DIMENSIONS ET DÉGAGEMENTS POUR LES MODÈLES ZWE23E



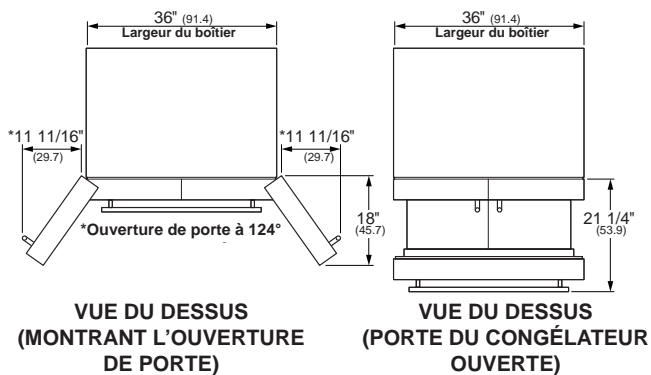
SPÉCIFICATIONS	
Largeur hors tout	36" (91,4 cm)
Hauteur hors tout	70 1/2" (179,1 cm)
Profondeur hors tout	30 11/16" (77,9 cm)
Dégagement de porte	21 1/4" (54 cm)
Largeur de l'ouverture découpée	36 1/4" (92,1 cm)
Hauteur de l'ouverture découpée	71" (180,3 cm)
Profondeur de l'ouverture découpée	26 3/8" (67 cm)
Matériel de plomberie	Tuyau de cuivre de 1/4 po D.E. ou trousse SmartConnect
Poids à l'expédition	400 lb (181,4 kg)

À L'ATTENTION DE L'ÉLECTRICIEN:

Une alimentation électrique de 115 volts, 60 Hz et de 15 à 20 ampères est requise. Nous recommandons l'utilisation d'un circuit de dérivation individuel correctement mis à la terre ou d'un disjoncteur. Installez un boîtier électrique à 3 fiches correctement branché à la terre et encastré dans le mur du fond.

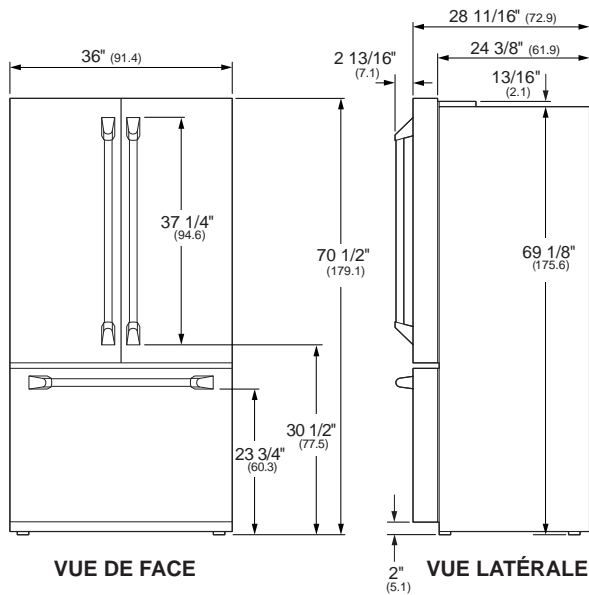
Dégagements pour la circulation d'air :

- 1/8 po (0,32 cm) de chaque côté
- 2 po (5,08 cm) à la face arrière
- 1 po (2,54 cm) 1 po au dessus (armoire/couvercle de charnière)



Planification

DIMENSIONS ET DÉGAGEMENTS POUR LES MODÈLES ZWE23P



SPÉCIFICATIONS

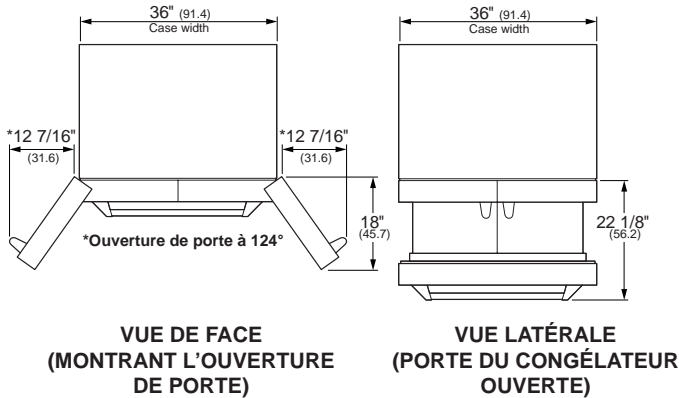
Largeur hors tout	36" (91,4 cm)
Hauteur hors tout	70 1/2" (179,1 cm)
Profondeur hors tout	31 1/2" (80 cm)
Dégagement de porte	22 1/8" (56,2 cm)
Largeur de l'ouverture découpée	36 1/4" (92,1 cm)
Hauteur de l'ouverture découpée	71" (180,3 cm)
Profondeur de l'ouverture découpée	26 3/8" (67 cm)
Matériel de plomberie	Tuyau de cuivre de 1/4 po D.E. ou trousse SmartConnect
Poids à l'expédition	400 lb (181,4 kg)

À L'ATTENTION DE L'ÉLECTRICIEN:

Une alimentation électrique de 115 volts, 60 Hz et de 15 à 20 ampères est requise. Nous recommandons l'utilisation d'un circuit de dérivation individuel correctement mis à la terre ou d'un disjoncteur. Installez un boîtier électrique à 3 fiches correctement branché à la terre et encastré dans le mur du fond.

Dégagements pour la circulation d'air :

- 1/8 po (0,32 cm) de chaque côté
- 2 po (5,08 cm) à la face arrière
- 1 po (2,54 cm) 1 po au dessus (armoire/couvercle de charnière)



Instructions d'installation

OUTILS REQUIS

- Clé à molette
- Tournevis à cliquet de 3/8 po
- Tournevis à tête cruciforme
- Tournevis à lame plate
- Clés hexagonales de 5/32, 3/32, 1/8 et 1/4 po
- Mèche de 1/8 po et perceuse manuelle ou électrique
- Ruban à mesurer
- Crayon
- Coupe-fils
- Tournevis à douille 1/4 po
- Niveau
- Tournevis Torx T20, T25

ÉQUIPEMENT REQUIS

- Un écrou à compression d'un diamètre extérieur de 1/4 po et 2 bagues (manchons) OU trousse de tuyau SmartConnect™ pour réfrigérateur.

PLANCHER

Pour une installation correcte, le réfrigérateur doit être placé sur une surface en matériau dur de niveau à la même hauteur que le reste du plancher. Cette surface doit être suffisamment solide pour supporter le poids d'un réfrigérateur rempli à capacité.

REMARQUE IMPORTANTE : Protégez la finition du plancher. Découpez un grand morceau de carton et placez-le sous le réfrigérateur à l'endroit où vous travaillez.

MISE À LA TERRE DU RÉFRIGÉRATEUR

IMPORTANT- (À lire attentivement)

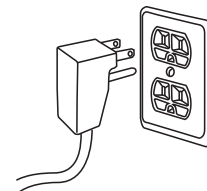
POUR VOTRE SÉCURITÉ PERSONNELLE, CET ÉLECTROMÉNAGER DOIT ÊTRE MIS À LA TERRE CORRECTEMENT..

Le cordon d'alimentation de cet appareil est doté d'une fiche à trois broches (avec mise à la terre) qui s'adapte à la prise de courant standard à 3 broches (avec mise à la terre) pour minimiser les risques de chocs électriques à partir de cet appareil.

Faites vérifier la prise murale et le circuit électrique par un électricien qualifié pour vous assurer que le système est mis à la terre correctement.

Si l'installateur se trouve en présence d'une prise à deux broches, il a la responsabilité et l'obligation de la remplacer par une prise à trois broches correctement mise à la terre.

SOUS AUCUN PRÉTEXTE, NE COUPEZ NI NE RETIREZ LA TROISIÈME BROCHE DE MISE À LA TERRE DU CORDON D'ALIMENTATION.



N'UTILISEZ PAS D'ADAPTATEUR POUR BRANCHER LE RÉFRIGÉRATEUR DANS UNE PRISE À DEUX BROCHES.

N'UTILISEZ PAS DE RALLONGE AVEC CET APPAREIL.

Instructions d'installation

⚠ AVERTISSEMENT



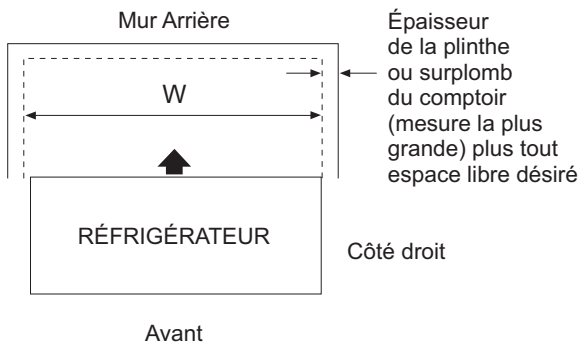
Risque de basculement

Les modèles encastrés (ZWE) sont plus lourds au niveau de leur partie supérieure, surtout avec les portes ouvertes. Ces modèles doivent être fixés à l'aide du système anti-basculement par fixation au sol pour éviter que l'appareil ne bascule vers l'avant, ce qui pourrait entraîner des blessures graves, voire mortelles. Lisez et suivez les instructions d'installation complètes pour l'installation du système anti-basculement par fixation au sol livré avec votre réfrigérateur.

ÉTAPE 1 MESURE DE L'OUVERTURE DISPONIBLE COMPARÉE À LA LARGEUR DU RÉFRIGÉRATEUR

Mesurez W, la largeur de l'ouverture dans laquelle vous voulez mettre votre réfrigérateur.

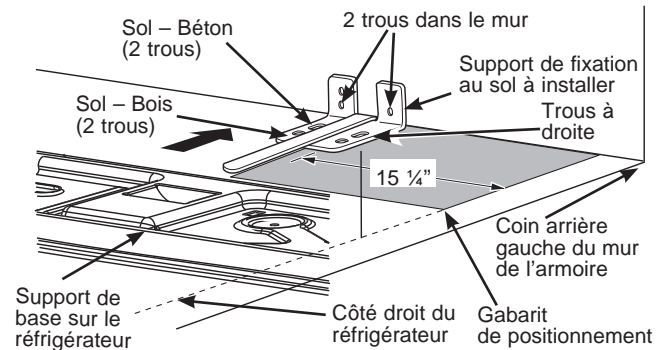
Assurez-vous de tenir compte de tout surplomb du comptoir, de l'épaisseur de la plinthe et de tout espace libre désiré. La largeur W doit être supérieure à 36 pouces. Le réfrigérateur doit être approximativement placé au milieu de cette ouverture.



ÉTAPE 2 INSTALLATION DU SUPPORT ANTIBASCULEMENT

- A. Placez le gabarit de positionnement du support antibasculement (fourni dans la trousse antibasculement) sur le plancher contre le mur arrière, à l'intérieur de W, en ligne avec l'emplacement souhaité pour le côté droit du réfrigérateur (voir Figure 1).

Figure 1 – Vue d'ensemble de l'installation



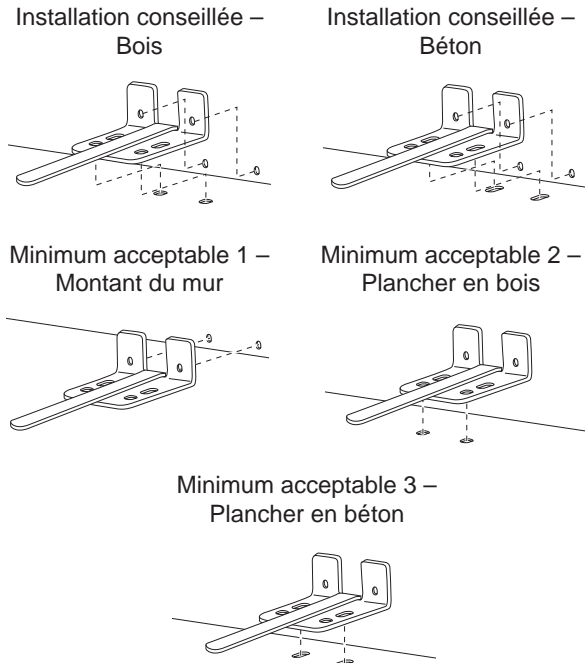
- B. Placez le support antibasculement par fixation au sol sur le gabarit de positionnement avec ses trous au sol de droite alignés aux trous au sol indiqués sur le gabarit, à environ 38,74 cm (15 1/4 po) du bord du gabarit ou du côté droit du réfrigérateur.
- C. Maintenez en position et utilisez le support antibasculement comme gabarit pour marquer les trous selon votre configuration et la catégorie de construction indiquée à l'étape 3. Marquez l'emplacement des trous avec un crayon, un clou ou un poinçon.

REMARQUE : Il est OBLIGATOIRE d'utiliser au moins 2 vis pour fixer le support de fixation au plancher (un de chaque côté du support antibasculement). Les deux doivent pénétrer dans le mur ou dans le plancher. La Figure 2 indique toutes les configurations de montage acceptables pour ces vis. Identifiez les trous de vis sur le support antibasculement pour votre configuration.

Instructions d'installation

ÉTAPE 2A INSTALLATION DU SUPPORT ANTIBASCULEMENT (SUITE)

Figure 2 - Emplacements acceptables pour les vis

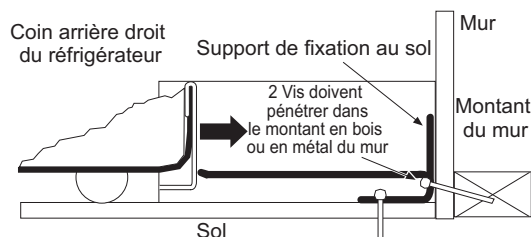


ÉTAPE 2B INSTALLATION DU SUPPORT ANTIBASCULEMENT

Mur et plancher en BOIS :

- Percez le nombre approprié de trous de guidage de 1/8 po au centre de chaque trou pour la fixation de sol utilisée (vous pouvez utiliser un clou ou un poinçon si vous n'avez pas de perceuse) ET retirez le gabarit de positionnement au sol.
- Montez le support antibasculément en vissant fermement les 2 ou, préférablement, 4 vis à tête hexagonale, n° 10-16 comme illustré à la Figure 3.

Figure 3 - Fixation au mur et au sol



ÉTAPE 2B INSTALLATION DU SUPPORT ANTIBASCULEMENT (SUITE)

Mur et plancher en BÉTON :

- Ancrages requis (non fournis) :
4 tire-fonds de 1/4 po x 1 1/2 po
4 manchons d'ancrage de 1/2 po de diamètre externe
- Percez les trous de taille recommandée pour les ancrages dans le béton au centre des trous marqués dans l'étape 2.
- Placez les manchons d'ancrage dans les trous percés. Placez le support antibasculément comme indiqué à l'étape 2. Retirez le gabarit de positionnement au sol.
- Installez les tire-fonds à travers le support antibasculément et serrez correctement.

Mur en BOIS et plancher CARRELÉ :

- Pour ce cas particulier, localisez les 2 trous sur le mur identifiés à la figure 2. Percez diagonalement un trou de guidage de 1/8 po au centre de chaque trou (comme indiqué à la Fig. 3).
- Installez le support antibasculément selon le « Minimum acceptable 1 », comme illustré à la Fig. 2.

ÉTAPE 2C POSITIONNEMENT DU RÉFRIGÉRATEUR POUR L'ENGAGER DANS LE SUPPORT ANTIBASCULEMENT

- Avant de mettre le réfrigérateur dans son emplacement final, branchez le cordon d'alimentation dans la prise de courant et raccordez l'eau (si nécessaire). Vérifiez qu'il n'y a pas de fuite.
- Repérez le côté droit du réfrigérateur et faites le reculer jusqu'à ce qu'il soit approximativement aligné avec le côté droit de l'ouverture W. Cette manœuvre devrait positionner le support antibasculément pour que celui-ci s'accroche à la base antibasculément du réfrigérateur.
- Faites doucement rouler le réfrigérateur dans l'ouverture jusqu'à ce qu'il s'arrête. Vérifiez que l'avant du réfrigérateur s'aligne avec la façade des armoires. Dans le cas contraire, faites délicatement basculer le réfrigérateur vers l'avant et vers l'arrière jusqu'à ce que le système antibasculément soit engagé et que vous constatiez que le réfrigérateur est complètement poussé contre le mur du fond.
- FACULTATIVEMENT** : Réglez la hauteur des roulettes arrière (et avant) de manière à engager complètement le support antibasculément, tout en alignant l'avant du réfrigérateur à l'avant des armoires.

REMARQUE : Si vous déplacez le réfrigérateur à l'écart du mur pour une raison quelconque, assurez-vous de bien engager le support antibasculément lors de la remise en place du réfrigérateur contre le mur arrière.

Instructions d'installation

ÉTAPPE 3 PRÉPARATION DU RÉFRIGÉRATEUR AVANT DE L'AMENER À L'INTÉRIEUR

IMPORTANT: Les portes et les passages qui mènent à l'emplacement d'installation doivent avoir une largeur d'au moins 80 cm (31 1/2 po). Si l'ouverture est inférieure à 80 cm (31 1/2 po), il est nécessaire de retirer le couvercle supérieur, les portes et les tiroirs. (Voir étapes 4 à 6)

REMARQUE : Sautez les étapes 4 et 5 s'il n'est pas nécessaire de retirer la porte. Passez à la page 9 « Déplacement du réfrigérateur ».

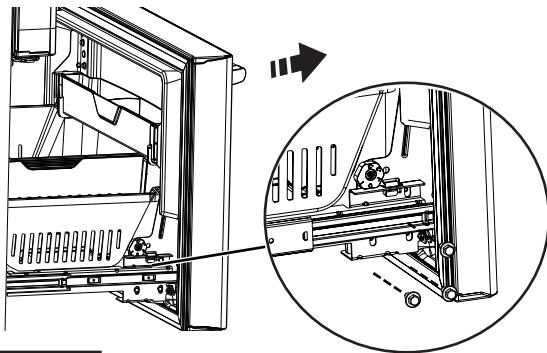
REMARQUE : Afin de prévenir les dommages, laissez l'emballage intérieur, l'espaceur de porte et la pellicule protectrice extérieure en place jusqu'à ce que l'appareil soit déplacée au lieu d'installation.

ÉTAPPE 4 RETRAIT DU TIROIR DE CONGÉLATION

Si nécessaire, il est possible de retirer le tiroir de congélation pour passer dans espaces étroits. Lisez ces instructions attentivement et en totalité.

A. Tirez la porte du congélateur à son extension maximale.

B. Retirez les 3 vis de fixation, situées au bas de chaque côté de la porte du congélateur en utilisant le tournevis à douille hexagonale de 3/8 po.



ATTENTION Avertissement de porte lourde.

La porte du compartiment congélateur est lourde. Utilisez les deux mains pour stabiliser la porte avant de la soulever.

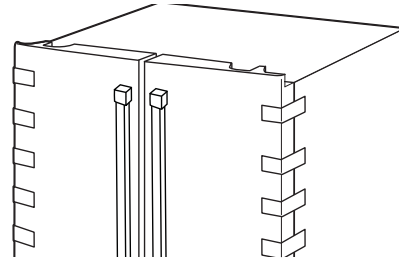
C. Soulevez la porte du congélateur pour la dégager des glissières. La porte peut reposer en toute sécurité sur sa base. Ne posez pas la porte sur toute autre surface pour éviter les rayures. Repoussez complètement le mécanisme à glissières jusqu'à ce qu'il se rétracte automatiquement.

ÉTAPPE 5 RETRAIT DES PORTES DU RÉFRIGÉRATEUR

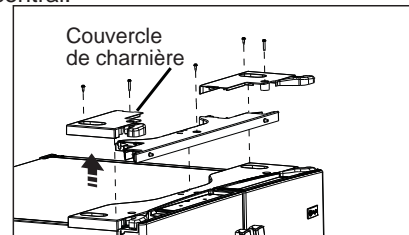
AVERTISSEMENT

Suivez toutes les étapes pour enlever et réinstaller la porte. La porte risque de tomber en plus de causer des blessures ou des dommages si vous ne respectez pas ces instructions, oubliez des pièces ou effectuez un serrage excessif des vis.

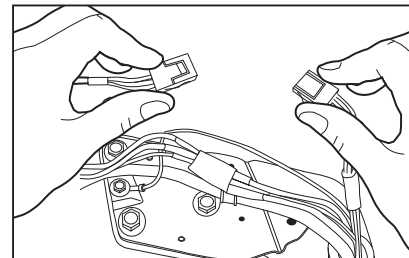
A. Maintenez la porte bien fermée à l'aide de ruban-cache ou demandez à une deuxième personne de maintenir la porte.



B. Commencez par la porte de gauche : Retirez le couvercle de charnière supérieure de la porte gauche du réfrigérateur en retirant les vis cruciformes et en le tirant vers le haut. Faites de même pour la porte de droite et le couvercle central.

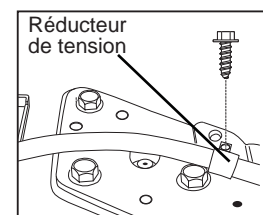
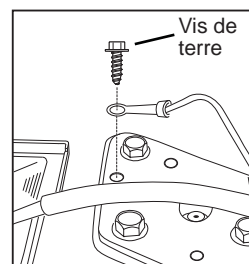


C. Débranchez les deux connecteurs électriques au niveau du couvercle supérieur.



Retirez la vis à tête hexagonale de 1/4 po pour débrancher le fil de masse de la charnière.

Retirez la vis à tête hexagonale de 1/4 po pour débrancher le réducteur de tension du tuyau d'alimentation d'eau.

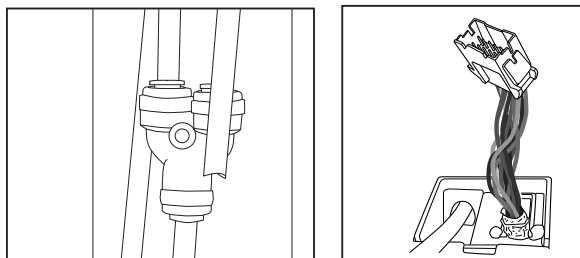


Instructions d'installation

ÉTAPE 5 RETRAIT DES PORTES DU RÉFRIGÉRATEUR (SUITE)

D. Débranchez l'alimentation d'eau à l'arrière de l'appareil en appuyant sur le collier gris foncé tout en tirant le tuyau d'alimentation d'eau vers le haut.

Tirez le tuyau d'alimentation d'eau à travers le conduit de la carrosserie pour libérer le tuyau avant de retirer la porte. Le tuyau d'alimentation d'eau mesure plus de 4 pieds et il se peut qu'il doive être fixé à la porte avec du ruban adhésif pour faciliter l'accès lors de la réinstallation de la porte.



E. À l'aide d'un tournevis à douille de 3/8 po, retirez les vis de fixation de la charnière supérieure à la carrosserie du réfrigérateur, puis soulevez la charnière vers le haut pour dégager l'axe de charnière de son emplacement dans le haut de la porte.

ATTENTION Avertissement de porte lourde.

Le soulèvement de la porte par une seule personne peut présenter un risque de blessure. Obtenir de l'assistance lors de la manipulation, du déplacement ou du soulèvement des portes du réfrigérateur.

REMARQUE : Placez soigneusement la porte dans un endroit approprié lorsque vous la retirez pour éviter de l'endommager ainsi que ses composants électroniques.

REMARQUE : La charnière inférieure et son axe sont numérotés. Ils doivent donc être associés pour que la porte se ferme correctement de façon automatique. Veuillez suivre les instructions scrupuleusement.

ÉTAPE 5 RETRAIT DES PORTES DU RÉFRIGÉRATEUR (SUITE)

REMARQUE : Pour que l'installation se fasse correctement plus tard, veuillez suivre attentivement la prochaine étape.

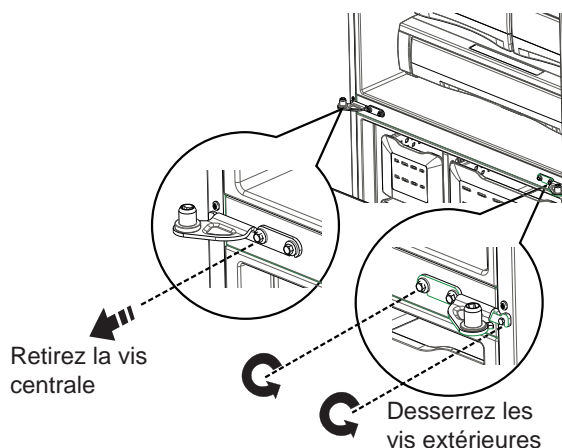
F. Les portes du compartiment de réfrigération doivent **RETIRÉES** et **INSTALLÉES** en position ouverte à 90° par rapport à la façade du réfrigérateur.

RETRAIT DE LA PORTE OPPOSÉE

Suivez la même procédure pour la porte du côté opposé. Il n'y a pas de câbles ni de tuyau d'alimentation d'eau sur la porte du côté opposé.

G. RETRAIT DE LA CHARNIÈRE CENTRALE (si nécessaire)

Retirez les vis de 3/8 po qui fixent la charnière centrale à la carrosserie. Utilisez le tournevis T20 pour retirer la vis extérieure.



ÉTAPE 6 DÉPLACEMENT DU RÉFRIGÉRATEUR

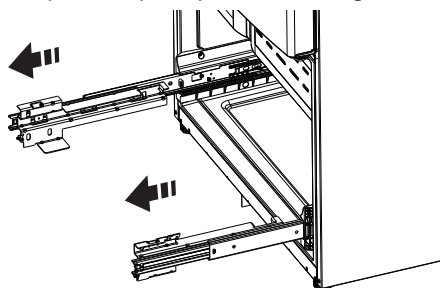
- Placez un morceau de carton ou un chiffon doux sur la paroi latérale du réfrigérateur pour protéger la finition en acier inoxydable.
- Placez le réfrigérateur sur le diable en appuyant un seul des côtés contre le diable.
- Déplacez le réfrigérateur à l'intérieur. Posez le réfrigérateur à proximité de l'endroit où vous souhaitez l'installer.

Instructions d'installation

ÉTAPE 7 REMISE EN PLACE DU TIROIR DE CONGÉLATION

INSÉREZ ET FIXEZ L'AVANT DU TIROIR AUX GLISSIÈRES

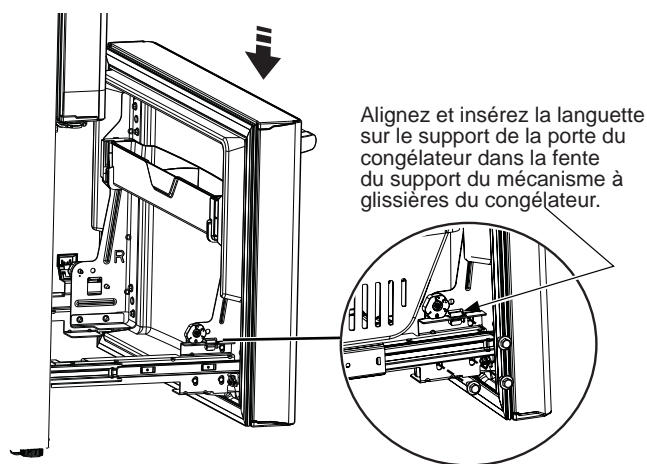
- A. Tirez simultanément avec les deux mains sur le mécanisme à glissières jusqu'à extension complète.
- B. Retirez le panier qui repose sur les glissières.



ATTENTION Avertissement de porte lourde.

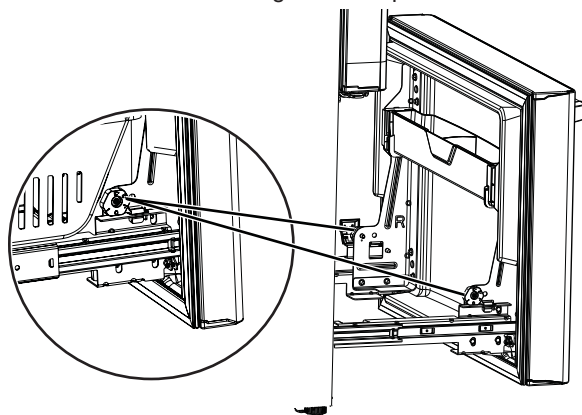
La porte du compartiment congélateur est lourde. Utilisez les deux mains pour stabiliser la porte avant de la soulever.

- C. Soulevez la porte du congélateur et placez-la sur le mécanisme à glissières.
- D. Remettez les vis de fixation en place et serrez-les au couple de 65 po-lb (7,34 N-m).
- E. Si nécessaire, réglez l'écart de la porte du congélateur.

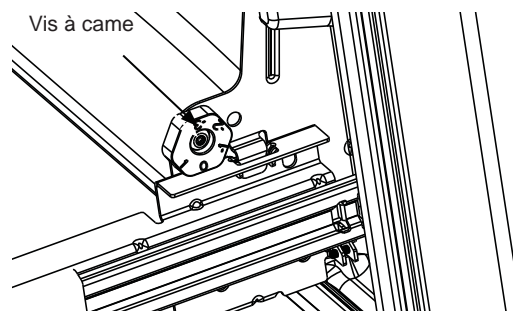


ÉTAPE 8 NIVELLEMENT DU TIROIR DE CONGÉLATION

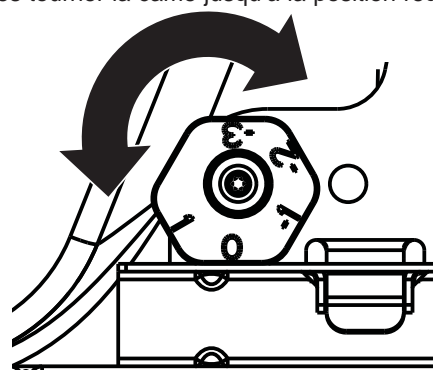
- A. Localisez la came de réglage de la hauteur dans la porte du congélateur. Desserrez légèrement les trois vis de fixation de la porte sur les deux glissières à l'aide d'un tournevis à douille hexagonale 3/8 po.



- B. Localisez et desserrez la vis à came en utilisant le tournevis T-27.



- C. Soulevez la porte sur le côté qui nécessite un réglage, faites tourner la came jusqu'à la position requise.



- 0 - Position initiale
- 1 - Lever de 0,050 po (0,127 cm)
- 1 - Abaisser de 0,050 po (0,127 cm)
- 2 - Abaisser de 0,100 po (0,254 cm)
- 3 - Abaisser de 0,150 po (0,381 cm)

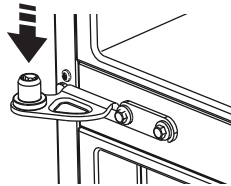
- D. Une fois le réglage terminé, resserrez les 3 vis de fixation jusqu'au couple de 65 po-lb (7,34 N-m).

Instructions d'installation

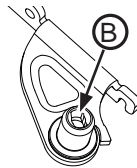
ÉTAPE 9 REMISE EN PLACE DES PORTES DU RÉFRIGÉRATEUR

Inverser en sens inverse, étapes 4 à 1, pour réinstaller les portes du réfrigérateur. Suivez les instructions suivantes pour les alignements critiques.

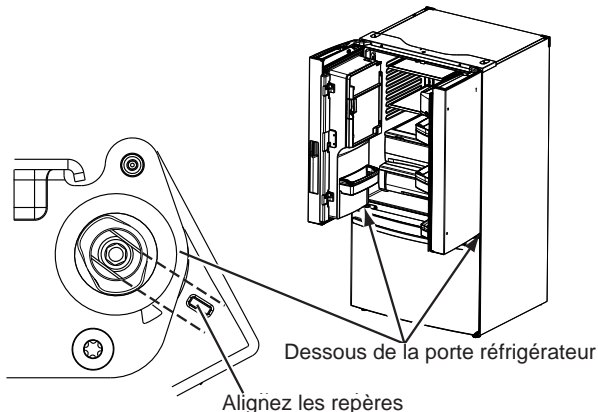
A. Réinstallez d'abord la charnière centrale et serrez la vis 1/4 po au couple de 65 lb-po (7,34 N m) et la petite vis au couple de 25 lb-in (2,82 N m). On peut obtenir ces couples de serrage en tournant la vis de 1/3 de tour une fois qu'elle est à égalité avec la surface correspondante.



B. Si la charnière sur votre réfrigérateur comporte une fente semblable à l'illustration B à droite, suivez les étapes ci-dessous. Autrement, sautez l'étape C.



Avec la porte gauche à 90° + de l'avant de la carrosserie, abaissez la porte du réfrigérateur. Assurez-vous que la porte et la charnière s'alignent correctement. Fermez la porte et assurez-vous que la zone d'étanchéité centrale amovible de la porte s'aligne sur la butée. S'il est impossible d'installer la porte à 90°, suivez les étapes suivantes. Installez la porte à 90° du devant de carrosserie. Si l'espace ou le modèle limitent l'ouverture de porte à moins de 180°, retirez la porte et retournez-la avec précaution à l'envers. Vérifiez l'alignement de la porte. Il existe une marque d'alignement sur le mécanisme de fermeture de porte qui correspond à une marque d'alignement sur le capuchon d'extrémité inférieure. Faites pivoter le mécanisme de fermeture de porte pour aligner la marque et la flèche.



C. Si la charnière sur votre réfrigérateur n'est pas munie d'une fente et qu'elle ressemble à l'image C à droite, alors abaissez simplement le trou extérieur de la porte sur l'axe de charnière.

D. Fixez fermement la porte en position fermée avec du ruban cache ou demandez à une autre personne de supporter la porte.

E. Suivez la même procédure pour installer la porte opposée. La porte opposée ne comporte pas de fils, de tuyaux d'eau ni de couvercles de charnière centrale.

ÉTAPE 9 REMISE EN PLACE DES PORTES DU RÉFRIGÉRATEUR (suite)

F. Assurez-vous de réinstaller le fil de terre et le détendeur sur la charnière supérieure.

G. Réinstallez le couvercle de charnière. **REMARQUE :** Assurez-vous que les fils ne sont pas pincés ni qu'ils se trouvent en-dessous des blocs de fixation avant de serrer les vis.

ÉTAPE 10 INSTALLATION DU TUYAU D'ALIMENTATION D'EAU

Nous recommandons les trousse d'alimentation d'eau en cuivre WX8X2, WX8X3, WX8X4, selon la longueur de tuyau dont vous avez besoin. Nous approuvons les conduites d'eau en plastique SmartConnect™ (WX08X10006, WX08X10015 et WX08X10025).

Si vous connectez un système d'eau à osmose inverse à votre réfrigérateur, la trousse GE Appliances RVKIT est la seule installation approuvée. Pour les autres systèmes à osmose inverse, suivez les recommandations du fabricant.

Si l'alimentation d'eau du réfrigérateur provient d'un système de filtration de l'eau par osmose inverse (OI) ET si votre réfrigérateur est équipé d'un filtre à eau, utilisez le bouchon de dérivation du filtre du réfrigérateur. L'utilisation de la cartouche de filtration d'eau du réfrigérateur conjointement avec un filtre à OI peut produire des glaçons creux. Certains modèles ne sont pas équipés d'un bouchon de dérivation de filtre. Pour en obtenir un gratuitement, composez le 800-GECARES. Au Canada, composez le 888.880.3030.

L'installation de cette conduite d'eau n'est pas garantie par le fabricant du réfrigérateur ou de la machine à glaçons. Suivez attentivement ces instructions afin de minimiser le risque de dégâts par l'eau coûteux.

Les coups de bélier (coups dans les tuyaux) dans la tuyauterie de la maison peuvent endommager les pièces de votre réfrigérateur et provoquer des fuites d'eau ou des inondations. Appelez un plombier certifié pour corriger les coups de bélier avant de brancher l'alimentation d'eau au réfrigérateur.

Pour prévenir les brûlures et éviter d'endommager votre produit, ne branchez pas le tuyau d'eau à une conduite d'eau chaude.

N'installez pas la tuyauterie de la machine à glaçons dans un endroit où la température descend en dessous du point de congélation.

Lorsque vous utilisez un appareil électrique (tel qu'une perceuse) lors de l'installation, assurez-vous que celui-ci est à double isolation ou relié à la terre pour prévenir tout risque de choc électrique. L'outil peut également être alimenté par batterie.

Toutes les installations doivent être conformes aux exigences du code de plomberie local.

• Tuyaux en cuivre ou trousse de tuyauterie pour réfrigérateur GE SmartConnect™, diamètre extérieur de 1/4 po pour brancher le réfrigérateur à l'alimentation d'eau. Si vous utilisez un tuyau en cuivre, les deux extrémités du tuyau doivent être coupées bien droit.

Instructions d'installation

ÉTAPE 10 INSTALLATION DU TUYAU D'ALIMENTATION D'EAU (suite)

Pour déterminer la longueur de tuyau dont vous avez besoin, mesurez la distance entre le robinet d'eau à l'arrière du réfrigérateur et le tuyau d'alimentation d'eau. Assurez-vous d'avoir une longueur de tuyau suffisante pour permettre d'éloigner le réfrigérateur du mur après l'installation.

Les trousse de tuyauterie pour réfrigérateur SmartConnect™ sont disponibles dans les longueurs suivantes :

6' (1,8 m) – WX08X10006

15' (4,6 m) – WX08X10015

25' (7,6 m) – WX08X10025

⚠ AVERTISSEMENT

Raccordez-vous à une alimentation en eau potable seulement.

Une alimentation en eau potable est requise pour le fonctionnement de la machine à glaçons. La pression d'eau doit se situer entre 40 et 120 psi (275 à 827 kilopascals).

ÉTAPE 11 BRANCHEMENT DE L'ALIMENTATION D'EAU

Une alimentation d'eau froide est requise pour faire fonctionner la machine à glaçons automatique. Vous devrez en installer une si elle n'existe pas. Consultez la section « Installation de l'alimentation d'eau ».

REMARQUES :

- Avant de raccorder la conduite d'eau au réfrigérateur, assurez-vous que le cordon d'alimentation électrique du réfrigérateur n'est pas branché à la prise murale.
- Si votre réfrigérateur n'est pas équipé de filtre à eau, nous recommandons d'en monter un si votre alimentation d'eau contient du sable ou des particules qui peuvent boucher la grille du robinet d'eau du réfrigérateur. Installez-le dans la conduite d'alimentation d'eau froide près du réfrigérateur. Si vous utilisez une trousse de tuyau pour réfrigérateur SmartConnect™, vous aurez besoin d'un tuyau supplémentaire (WX08X10002) pour brancher le filtre. Ne coupez pas le tuyau en plastique pour installer le filtre.
- Avant de raccorder la conduite d'eau au système de distribution d'eau de la maison, purgez ce système pendant au moins 2 minutes.

- A.** Si vous utilisez un tuyau de cuivre, placez un écrou de compression et une bague (manchon) à l'extrémité du tuyau qui vient de l'alimentation d'eau froide de la maison. Si vous utilisez le tuyau SmartConnect™, les écrous sont déjà assemblés au tuyau.

⚠ AVERTISSEMENT

⚡ RISQUE DE DÉCHARGE ÉLECTRIQUE

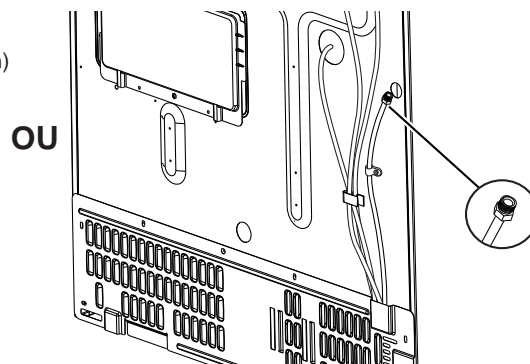
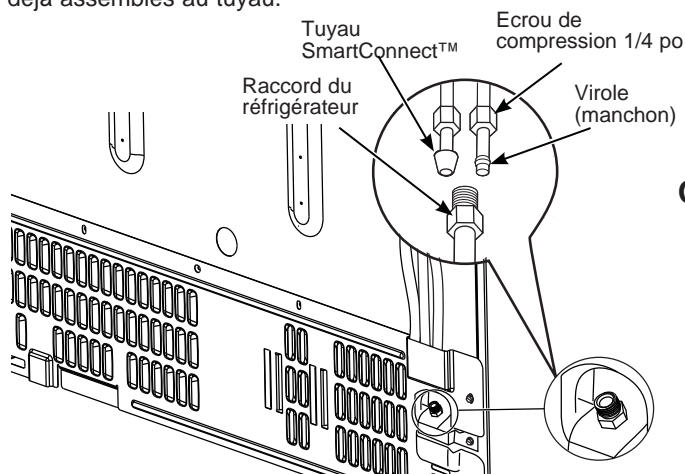
Fixez le collier de serrage dans le trou présent seulement. NE PERCEZ PAS dans le réfrigérateur.

- B.** Si vous utilisez un tuyau de cuivre, insérez aussi loin que possible l'extrémité du tuyau dans le raccord à l'arrière du réfrigérateur. Tout en tenant le tuyau, serrez le raccord. Si vous utilisez un tuyau SmartConnect™, insérez l'extrémité moulée du tuyau dans le raccord à l'arrière du réfrigérateur, puis serrez l'écrou à compression à la main. Serrez ensuite d'un autre tour à l'aide d'une clé. Serrez un tour supplémentaire avec une clé. Des fuites peuvent survenir si l'écrou est trop serré.
- C.** Fixez le tuyau dans le collier de serrage fourni pour le maintenir en position. Vous aurez peut-être besoin d'écarter la bride avec un outil.
- D.** Ouvrez le robinet d'eau pour vérifier l'absence de fuites.

⚠ AVERTISSEMENT

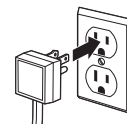
Raccordez-vous à une alimentation en eau potable seulement.

Une alimentation en eau potable est requise pour le fonctionnement de la machine à glaçons. La pression d'eau doit se situer entre 40 et 120 psi (275 à 827 kilopascals).



ÉTAPE 12 BRANCHEMENT DU RÉFRIGÉRATEUR

Veuillez lire les informations de mise à la terre fixées au cordon d'alimentation.



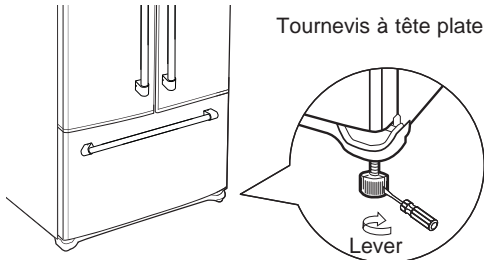
Instructions d'installation

ÉTAPE 13 NIVELLEMENT DU RÉFRIGÉRATEUR

Les pieds de nivellement ont deux fonctions :

- Ajuster le réfrigérateur pour que celui-ci soit correctement positionné sur le sol et ne vacille pas.
- Frein pour stabiliser le réfrigérateur pendant son utilisation et son nettoyage. Les pieds de nivellement permettent aussi d'empêcher le réfrigérateur de basculer.

Tournez les pieds de nivellement dans le sens des aiguilles d'une montre pour relever le réfrigérateur et dans le sens inverse des aiguilles d'une montre pour l'abaisser.

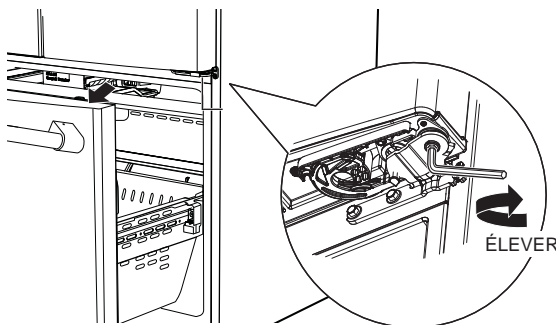
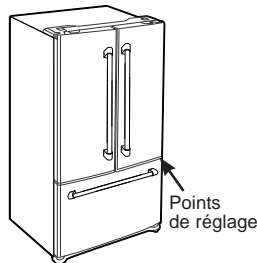


REMARQUE : Pour éviter tout dommage matériel, les pieds de nivellement doivent bien reposer sur le sol.

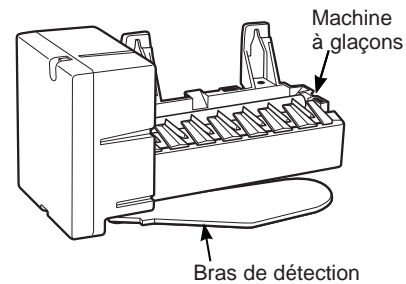
ÉTAPE 14 NIVELLEMENT DES PORTES

Rappelez-vous qu'il est nécessaire de niveler le réfrigérateur pour que les portes soient parfaitement de niveau. Si vous avez besoin d'aide, consultez la section précédente sur le nivellement du réfrigérateur.

- Si vous ouvrez la porte du congélateur, vous verrez la charnière centrale.
- Insérez une clé Allen de ¼ po dans l'axe de la charnière centrale.
- Ajustez la hauteur en tournant dans le sens des aiguilles d'une montre ou dans le sens inverse. Lorsque vous tournez dans le sens inverse des aiguilles d'une montre, la porte se déplace vers le haut.



ÉTAPE 15 RETRAIT DE L'EMBALLAGE, MISE EN MARCHÉ DE LA MACHINE À GLAÇONS



A. Retirez les bandes adhésives, les emballages en mousse et les protections des tablettes et des tiroirs.

B. Retirez les arrimages des bacs de congélateur.

Mettez la machine à glaçons en marche ou éteignez-la à partir du panneau de commande de température.

La machine à glaçons se remplit d'eau lorsque sa température atteint 15°F (-10°C). Il faut prévoir entre 12 et 24 heures avant qu'un réfrigérateur nouvellement installé commence à produire des glaçons.

Il est normal d'obtenir une glace décolorée durant les premières 24 heures de production ou après le remplacement du filtre. Pour les modèles sans distributeur, jetez le premier bac de production de glaçons.

REMARQUE : Lorsque la pression de l'eau d'alimentation est faible, le robinet d'eau peut s'ouvrir jusqu'à 3 fois pour fournir le volume d'eau nécessaire à la machine à glaçons.

ÉTAPE 16 COMMANDES DE TEMPÉRATURE

- Les commandes de température sont réglées à 2,77°C (37 °F) pour le réfrigérateur et 0 °C pour le congélateur.
- Attendez 24 heures que la température se stabilise avant de faire les réglages.

ÉTAPE 17 PURGE DE LA CANALISATION D'EAU

Une fois l'appareil en marche, appuyez sur bouton du distributeur / palette et faites couler l'eau pendant au moins cinq (5) minutes pour évacuer l'air de la conduite d'eau et rincer le filtre. Les premiers lots de glaçons doivent être jetés. Pour les modèles sans distributeur, jetez le premier bac de production de glaçons.

REMARQUE : Lors de l'exécution des installations décrites dans ce manuel, il est nécessaire de porter des lunettes de protection.

REMARQUE : Chez GE Appliances, l'amélioration des produits fait l'objet d'un effort soutenu. Par conséquent, les matières, l'aspect et les caractéristiques sont sujets à changement sans préavis.



INSTRUCCIONES DE INSTALACIÓN

**Refrigerador de Pie con Puerta Francesa
y Freezer Inferior**

ESPAÑOL

MONOGRAM.COM

Información sobre Seguridad

ANTES DE COMENZAR

Lea estas instrucciones en su totalidad y atentamente.

- **IMPORTANTE** — Conserve estas instrucciones para uso del inspector local. Cumpla con todos los códigos y ordenanzas gubernamentales.
- **Nota para el Instalador** — Asegúrese de que el Comprador conserve estas instrucciones.
- **Nota para el Consumidor** — Guarde estas instrucciones con su Manual del Propietario para referencia futura.
- **Nivel de habilidad** — La instalación de este refrigerador requiere de un nivel básico de habilidades mecánicas, de carpintería y plomería. La correcta instalación del producto es responsabilidad del instalador. Si se producen fallas en el producto debido a una instalación inadecuada, la Garantía del Producto de GE Appliances no cubrirá las mismas. Para obtener información sobre la garantía, consulte el Manual del Propietario.

Si el refrigerador que recibió está dañado, se deberá comunicar de inmediato con su vendedor o contratista.

⚠️ ADVERTENCIA

Al usar este electrodoméstico, siempre siga las precauciones básicas de seguridad, incluyendo lo siguiente:

- Este electrodoméstico deberá estar conectado a tierra de forma adecuada. Consulte “Cómo Conectar a Tierra el Refrigerador”, página 6.
- Use este electrodoméstico sólo para su propósito original.
- De forma inmediata, repare o reemplace los cables del servicio eléctrico que sufran daños o peladuras.
- Desenchufe el refrigerador antes de realizar su limpieza o reparaciones.
- Cualquier reparación deberá ser realizada por un técnico calificado del servicio técnico.
- A fin de reducir el riesgo asociado con asfixia, no permita que los niños menores de 3 años tengan acceso a las partes pequeñas durante la instalación de este producto

⚠️ PRECAUCIÓN

Debido al peso y tamaño de este refrigerador, y a fin de reducir el riesgo de lesiones personales o daños sobre el producto - SE DEBERÁ CONTAR CON DOS PERSONAS PARA UNA INSTALACIÓN ADECUADA.

Para acceder al servicio local de Monogram en su área, visite monogram.com

Para acceder al servicio de Monogram en Canadá, visite monogram.ca

Para acceder a Piezas y Accesorios de Monogram, visite monogram.com/use-and-care/parts

CONTENIDOS

Información de Planificación

Dimensiones y Espacios Libres para el Producto..... 3

Instrucciones de Instalación

Herramientas, Hardware, Materiales 5

Conexión a Tierra del Refrigerador 5

Paso 1. Mida la Abertura del Gabinete 6

Paso 2. Instale el Soporte Antivolcaduras 6

Paso 3. Instale el Refrigerador 7

Paso 4. Retire el Cajón del Freezer 8

Paso 5. Retire las Puertas de Comidas Frescas 8

Paso 6. Mueva el Refrigerador 9

Paso 7. Reemplace el Cajón del Freezer 10

Paso 8. Nivele el Cajón del Freezer 10

Paso 9. Reemplace las Puertas de Comidas Frescas 11

Paso 10. Instale el Suministro de Agua 11

Paso 11. Conecte el Suministro de Agua 12

Paso 12. Conecte la Corriente 12

Paso 13. Nivele el Refrigerador 13

Paso 14. Nivele las Puertas 13

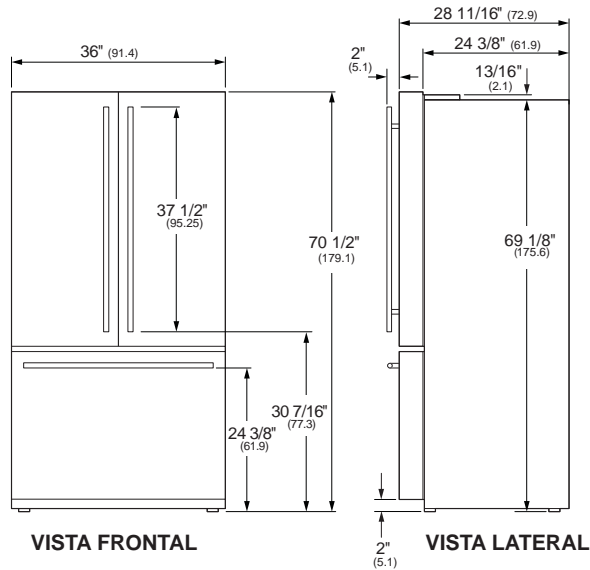
Paso 15. Retire el Embalaje, Encienda la Máquina de Hielos 13

Paso 16. Controles de Temperatura 13

Paso 17. [Purging the water system](#) 13

Información de Planificación

DIMENSIONES Y ESPACIOS LIBRES PARA LOS PRODUCTOS de los Modelos ZWE23E



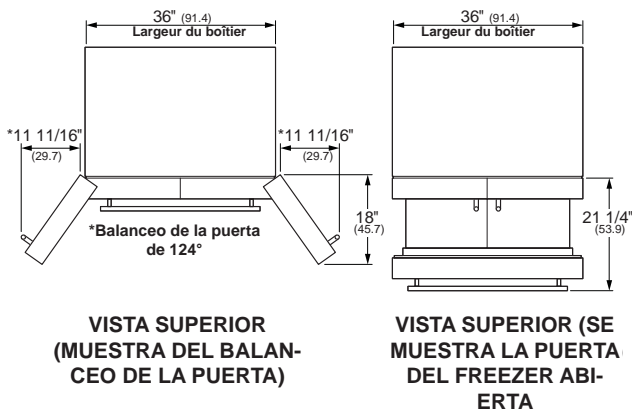
ESPECIFICACIONES	
Ancho Total	36" (91,4 cm)
Altura Total	70 1/2" (179,1 cm)
Profundidad Total	30 11/16" (77,9 cm)
Espacio Libre para la Puerta	21 1/4" (54 cm)
Ancho del Recorte	36 1/4" (92,1 cm)
Altura del Recorte	71" (180,3 cm)
Profundidad del Recorte	26 3/8" (67 cm)
Requisitos de Plomería	Tubería de cobre OD de 1/4" o kit GE SmartConnect kit
Peso del Envío	400 lb (181.4 kg)

ATENCIÓN ELECTRICISTA:

Se requiere un suministro de corriente de 115 voltios, 60Hz., y 15 o 20 amperes. Se recomienda el uso de un circuito de empalmes individual o un disyuntor correctamente conectado a tierra. Instale un receptáculo eléctrico de 3 patas correctamente conectado a tierra, y empotrado en la pared trasera.

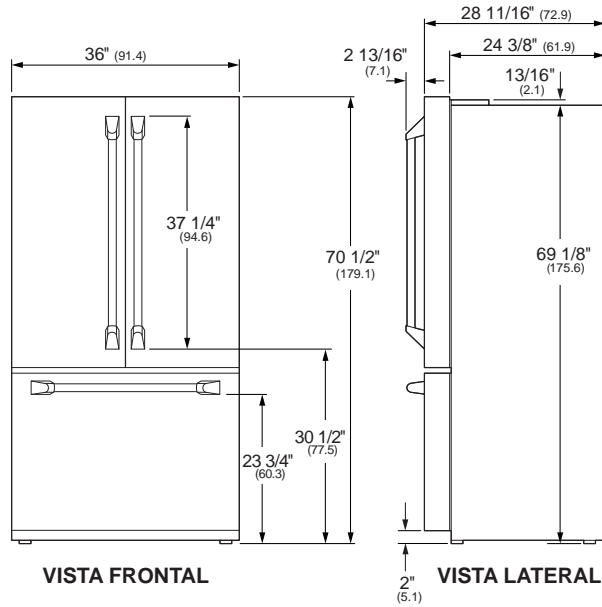
Espacios Libres para la Circulación de Aire

- 1/8" a cada lado
- 1" en la parte superior (tapa del gabinete/ bisagra)
- 2" del lado trasero



Información de Planificación

DIMENSIONES Y ESPACIOS LIBRES PARA LOS PRODUCTOS de los Modelos ZWE23P



ESPECIFICACIONES

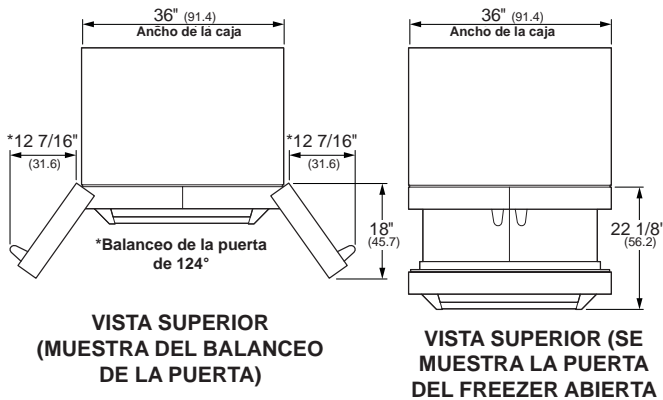
Ancho Total	36" (91,4 cm)
Altura Total	70 1/2" (179,1 cm)
Profundidad Total	31 1/2" (80cm)
Espacio Libre para la Puerta	22 1/8" (56,2 cm)
Ancho del Recorte	36 1/4" (92,1 cm)
Altura del Recorte	71" (180,3 cm)
Profundidad del Recorte	26 3/8" (67 cm)
Requisitos de Plomería	Tubería de cobre OD de 1/4" o kit GE SmartConnect kit
Peso del Envío	400 lb (181.4 kg)

ATENCIÓN ELECTRICISTA:

Se requiere un suministro de corriente de 115 voltios, 60Hz., y 15 o 20 amperes. Se recomienda el uso de un circuito de empalmes individual o un disyuntor correctamente conectado a tierra. Instale un receptáculo eléctrico de 3 patas correctamente conectado a tierra, y empotrado en la pared trasera.

Espacios Libres para la Circulación de Aire

- 1/8" a cada lado
- 1" en la parte superior (tapa del gabinete/ bisagra)
- 2" del lado trasero



Instrucciones de Instalación

HERRAMIENTAS REQUERIDAS

- Llave ajustable
- trinquete / destornillador de 3/8"
- Destornillador Phillips
- Destornillador con cabeza aplanada
- Llaves Allen de 5/32", 3/32", 1/8", 1/4"
- Broca y taladro eléctrico o manual de 1/8"
- Cinta métrica
- Lápiz
- Cortacables
- Llave de tuercas de 1/4"
- Nivel
- Llave Torx T20, T25

MATERIALES REQUERIDOS

- Tuerca de compresión con diám. ext. de 1/4" y 2 abrazaderas de refuerzo (mangas) o Kits de Tuberías para Refrigerador de SmartConnect™.

PISO

Para una instalación correcta, el refrigerador se deberá ubicar en una superficie nivelada de material duro que posea la misma altura en el resto del piso. Esta superficie deberá ser lo suficientemente fuerte para soportar un refrigerador cargado en su totalidad.

NOTA IMPORTANTE: Proteja el acabado del piso. Corte una sección amplia de cartón y coloque la misma debajo del refrigerador donde se encuentra trabajando.

CONEXIÓN A TIERRA DEL REFRIGERADOR

IMPORTANTE – (Lea detenidamente)

PARA SU SEGURIDAD PERSONAL, ESTE ELECTRODOMÉSTICO DEBERÁ ESTAR ADECUADAMENTE CONECTADO A TIERRA.

El cable de corriente de este electrodoméstico cuenta con un enchufe de 3 cables (conexión a tierra) que se conecta a un tomacorriente de pared estándar de 3 cables (conexión a tierra) para minimizar el riesgo de posibles descargas eléctricas por parte del mismo.

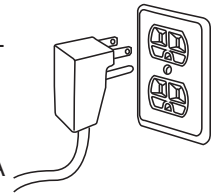
Contrate a un electricista calificado para que controle el tomacorriente y el circuito eléctrico, a fin de asegurar que el enchufe esté correctamente conectado a tierra.

Donde se encuentre un tomacorriente de pared de 2 cables, es su responsabilidad y obligación reemplazarlo por un tomacorriente de pared de 3 cables correctamente conectado a tierra.

NUNCA, BAJO NINGUNA CIRCUNSTANCIA, CORTE NI ELIMINE EL TERCER CABLE (TIERRA) DEL CABLE DE CORRIENTE.

NO USE UN ENCHUFE ADAPTADOR PARA CONECTAR EL REFRIGERADOR A UN TOMACORRIENTE DE 2 PATAS.

NO USE UN PROLONGADOR CON ESTE ELECTRODOMÉSTICO.



Instrucciones de Instalación

⚠ ADVERTENCIA



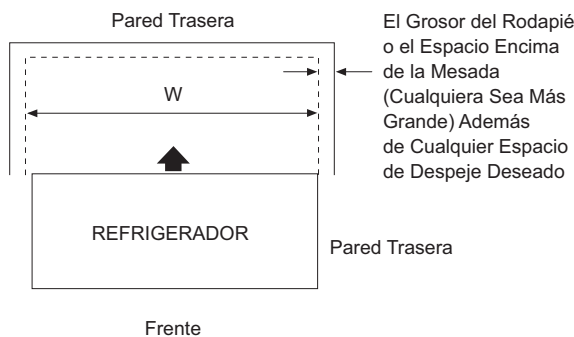
Riesgo de Caídas

Los modelos con estilo incorporado (ZWE) son inestables, especialmente con las puertas abiertas. Estos modelos deben ser asegurados con el soporte antivolcaduras, a fin de evitar caídas hacia adelante, que podrían resultar en la muerte o lesiones graves. Lea y siga las instrucciones de instalación en su totalidad, a fin de instalar el soporte de piso antivolcaduras embalado con su refrigerador.

PASO 1 MIDA LA ABERTURA DEL GABINETE DISPONIBLE VS. EL ANCHO DEL REFRIGERADOR

Mida el ancho de la abertura del gabinete donde será ubicado el refrigerador, W.

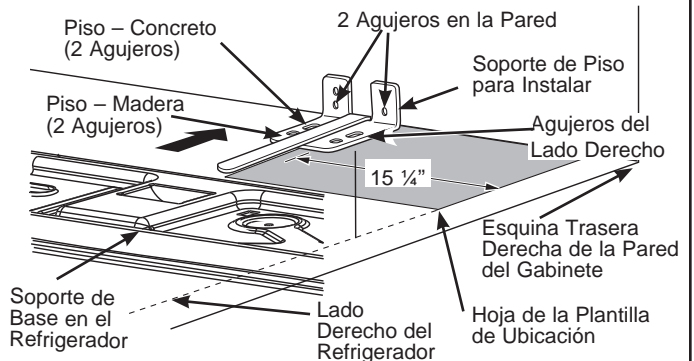
Asegúrese de contar con espacio por encima de la mesada, grosor en el zócalo y cualquier espacio libre deseado. El ancho, W, no deberá ser inferior a 36 pulgadas. El refrigerador será ubicado aproximadamente en el medio de esta abertura.



PASO 2 UBIQUE EL SOPORTE ANTIVOLCADURAS

A. Coloque la plantilla de ubicación del soporte de piso antivolcaduras (incluido dentro del kit antivolcaduras) sobre el piso contra la pared trasera, dentro de A, y alineado con la ubicación deseada del lado derecho del refrigerador (vea la Figura 1).

Figura 1 – Visión General de Instalación



B. Coloque el soporte para piso antivolcaduras en la plantilla de ubicación con sus agujeros para piso del lado derecho alineados con los agujeros del piso indicados en la hoja de la plantilla, aproximadamente a 15 1/4" (38.74 cm) desde el extremo de la hoja o del lado derecho del refrigerador.

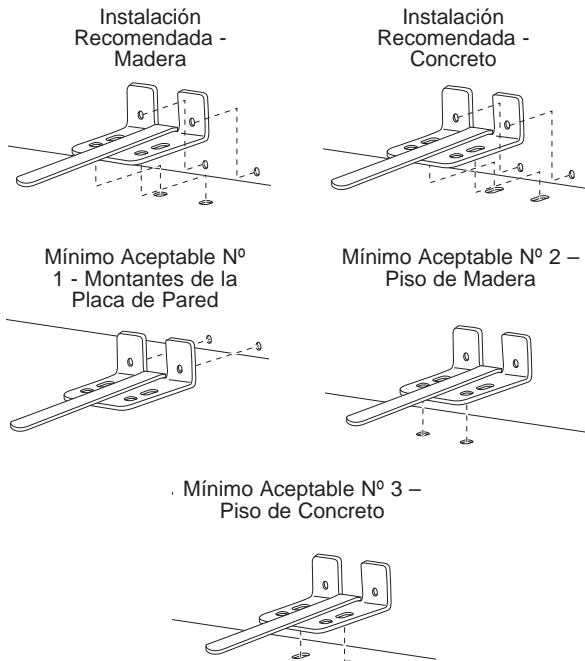
C. Sostenga en la posición y use el soporte para piso antivolcaduras como una plantilla para hacer los agujeros, basados en su configuración y tipo de construcción como se muestra en el Paso 3. Marque las ubicaciones de los agujeros con un lápiz, clavo o punzón.

NOTA: Se REQUIERE el uso de por lo menos 2 tornillos para montar el soporte para piso (uno a cada lado del soporte para piso antivolcaduras). Ambos deben estar en la pared o en el piso. La figura 2 indica todas las configuraciones de montaje aceptables para los tornillos. Identifique los agujeros de los tornillos en el soporte para piso antivolcaduras para su configuración.

Instrucciones de Instalación

PASO 2A UBIQUE EL SOPORTE DE PISO ANTIVOLCADURAS (cont.)

Figura 2 – Ubicaciones Aceptables para la Colocación de Tornillos



PASO 2B INSTALE EL SOPORTE ANTIVOLCADURAS (CONT.)

Construcción del Piso y la Pared de CONCRETO:

- Se requiere el uso de anclajes (no provistos):
4 tirafondos de 1/4" x 1 1/2" cada uno
4 sujetadores de manga cada uno de 1/2" de diám. ext.
- Realice los agujeros usando los tamaños recomendados para los anclajes en el concreto sobre el centro de los agujeros marcados en el Paso 2.
- Instale los sujetadores de mangas en los agujeros perforados. Coloque el soporte de piso antivolcaduras como se indica en el Paso 2. Retire la plantilla de ubicación desde el piso.
- Instale los tirafondos a través del soporte para piso antivolcaduras y ajuste los mismos de forma apropiada.

Construcción de la Pared de MADERA y Piso de BALDOSA:

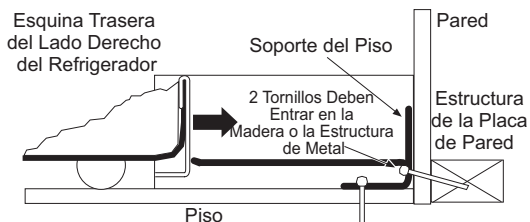
- Para este caso especial, ubique los 2 agujeros de pared identificados en la Figura 2. Haga un agujero de prueba angulado de 1/8" (aproximadamente como se muestra en la Figura 3) en el centro de cada agujero.
- Monte el soporte para piso antivolcaduras usando la Instalación Mínima Aceptable n° 1, como se ilustra en la Figura 2.

PASO 2B INSTALE EL SOPORTE ANTIVOLCADURAS

Construcción del Piso y la Pared de MADERA:

- Realice la cantidad apropiada de agujeros de prueba de 1/8" en el centro de cada agujero de soporte del piso que se usará (se podrá usar un clavo o punzón si no se cuenta con una broca) Y retire la plantilla de ubicación del piso.
- Monte el soporte para piso antivolcaduras ajustando los 2, o preferentemente 4, tornillos de cabeza hexagonal n° 10-16 de forma ajustada en cada lugar como se ilustra en la Figura 3.

Figura 3 – Ajuste a la Pared y el Piso



PASO 2C POSICIONE EL REFRIGERADOR PARA ADHERIR LOS SOPORTES ANTIVOLCADURAS DEL PISO Y DE LA BASE

- Antes de empujar el refrigerador hacia la abertura, enchufe el cable de corriente en el receptáculo y conecte el suministro de agua (si está equipado). Controle que no haya pérdidas.
- Ubique el lado derecho del refrigerador y mueva el mismo hacia atrás aproximadamente en línea con el lado derecho de la abertura del gabinete, A. Esto debería posicionar el soporte antivolcaduras del piso, a fin de adherir la base antivolcaduras con el refrigerador.
- De forma suave, haga girar el refrigerador nuevamente hacia el gabinete, abriendo el mismo hasta que se detenga completamente. Controle que el frente del refrigerador se alinee con la cara frontal del gabinete. Si no es así, con cuidado mueva el refrigerador hacia delante y atrás hasta que se produzca la adherencia y observe que el refrigerador esté completamente apoyado sobre la pared trasera.
- OPCIONAL:** Realice los ajustes de altura de las ruedas traseras (y frontales) para adherir completamente los soportes antivolcaduras traseros, mientras también alinea el frente del refrigerador con la cara frontal del gabinete.

NOTA: Si empuja el refrigerador hacia afuera y lo aleja de la pared por alguna razón, asegúrese de que el soporte para piso antivolcaduras esté adherido cuando el refrigerador es empujado hacia atrás contra la pared trasera.

Instrucciones de Instalación

PASO 3 ANTES DE MOVER EL REFRIGERADOR A UN ÁREA INTERNA

IMPORTANTE: Es necesario que las puertas y pasillos del lugar de instalación posean una abertura de 31 1/2" (80cm). Si la abertura es inferior a 31 1/2" (80 cm), la tapa superior, las puertas y los cajones deberán ser retirados. (Consulte los pasos 4 a 6)

NOTA: Saltee los pasos 4 y 5, si no es necesario el retiro de la puerta. Vaya a la página 10, Mueva el Refrigerador.

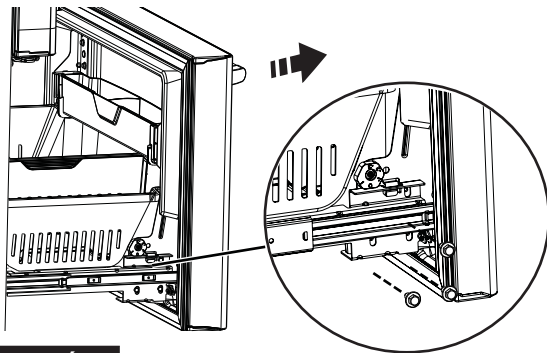
NOTA: A fin de evitar daños, deje el embalaje interno, el separador de puertas y el envoltorio protector externo en sus lugares, hasta que la unidad sea llevada a la ubicación de su instalación.

PASO 4 RETIRE EL CAJÓN DEL FREEZER

El cajón del freezer puede ser retirado, de ser necesario, para ubicarlo en áreas estrechas.

Lea estas instrucciones en su totalidad y atentamente.

- A. Abra la puerta del freezer hasta su extensión completa.
- B. Retire los 3 tornillos adheridos, ubicados en la parte inferior a cada lado de la puerta del freezer usando un destornillador con cabeza hueca hexagonal de 3/8".



⚠PRECAUCIÓN Riesgo al levantar la puerta

La puerta del freezer es pesada. Use ambas manos para asegurar la puerta antes de levantar la misma.

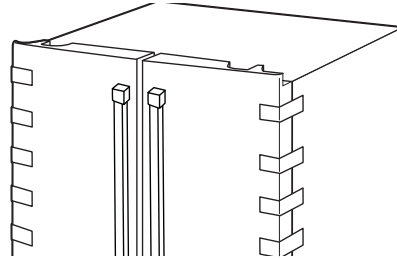
- C. Levante la puerta del freezer para desconectarla del mecanismo de deslizamiento. La puerta puede descansar de forma segura en la parte inferior. No apoye la puerta sobre ninguna otra superficie a fin de evitar rayones. Haga retroceder el mecanismo de deslizamiento completamente hasta que se repliegue.

PASO 5 RETIRE LAS PUERTAS DE ALIMENTOS FRESCOS

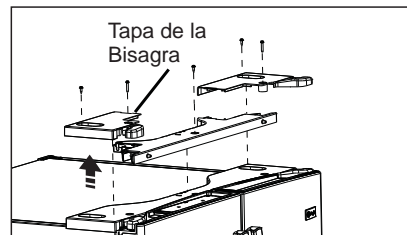
⚠ADVERTENCIA

Siga todos los pasos para retirar y volver a instalar la puerta. Si no se siguen estas instrucciones, dejando piezas sin uso o ajustando tornillos en exceso, esto podrá hacer que la puerta se caiga y producir lesiones y daños sobre la propiedad.

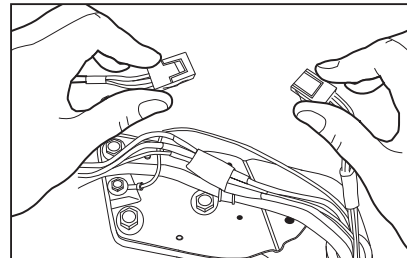
- A. De forma segura, encinte el cierre de la puerta con cinta de mascarar o pida a otra persona que sostenga la puerta.



- B. Comience por la puerta de la izquierda: retire la tapa de la bisagra en la parte superior de la puerta izquierda del refrigerador, retirando todos los tornillos hexagonales y empujando la misma hacia arriba. Haga lo mismo en la puerta derecha y en la tapa intermedia.

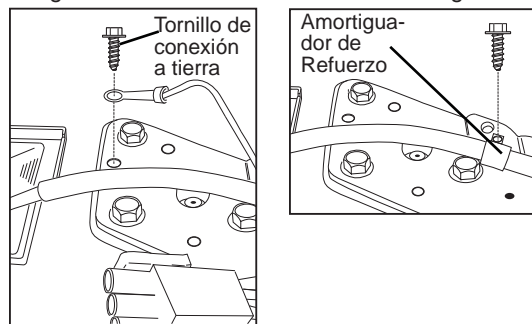


- C. Desconecte los dos conectores eléctricos en la tapa superior.



Retire el tornillo de cabeza hexagonal de 1/4" para desconectar el cable a tierra de la bisagra.

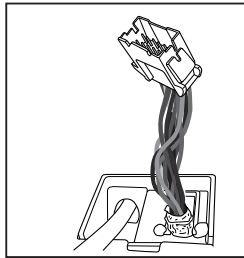
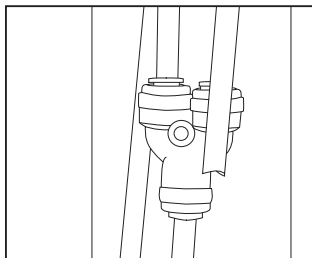
Retire el tornillo de cabeza hexagonal de 1/4" para retirar el amortiguador de refuerzo de la tubería de agua.



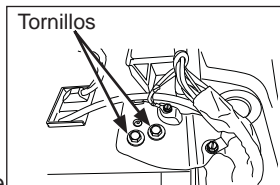
Instrucciones de Instalación

PASO 5 RETIRE LAS PUERTAS DE ALIMENTOS FRESCOS (CONT.)

- D. Desconecte la tubería de agua de la parte trasera de la unidad, presionando hacia abajo el collar gris oscuro mientras levanta la tubería de agua. Empuje la tubería de agua a través del conducto de la caja desde la parte superior, a fin de liberar la misma para el retiro de la puerta. La tubería de agua tiene una longitud superior a 4' y es posible que se deba encantar a la Puerta para que esté accesible al reinstalar.



- E. Usando un trinquete/destornillador de 3/8", retire los tornillos asegurando la bisagra superior al gabinete, luego levante la bisagra para liberar el perno de la bisagra desde la ubicación en la parte superior de la puerta.



⚠ PRECAUCIÓN Riesgo al levantar la puerta

Si es levantada por una sola persona, podrían ocasionarse lesiones. Solicite ayuda al sostener, mover o levantar las puertas del refrigerador.

NOTA: Al retirar la puerta, a fin de evitar daños sobre la puerta y la parte electrónica, coloque con cuidado la puerta en una ubicación adecuada.

NOTA: El perno de la bisagra inferior de la puerta y la bisagra poseen tamaños proporcionales y se los debe encajar correctamente para que la puerta se cierre sola. Siga las instrucciones con cuidado.

PASO 5 RETIRE LAS PUERTAS DE ALIMENTOS FRESCOS (CONT)

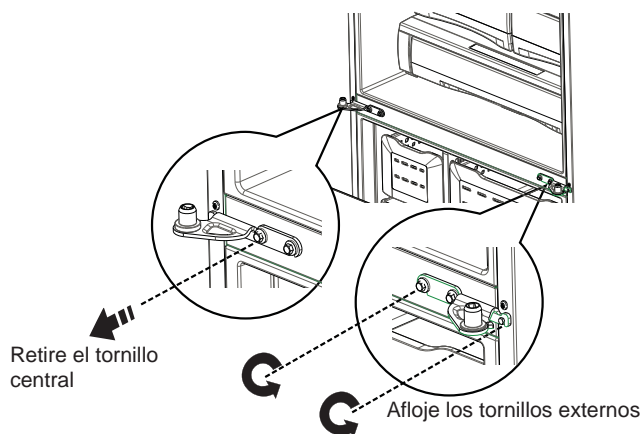
NOTA: Para una instalación posterior adecuada, siga el siguiente paso de forma cuidadosa.

- F. Las puertas de comidas frescas se deben RETIRAR e INSTALAR abiertas a 90° con la caja hacia el frente.

RETIRE LA PUERTA OPUESTA Siga el mismo procedimiento en la puerta opuesta.

La puerta opuesta no posee cables ni líneas de agua.

- G. **RETIRE LA BISAGRA CENTRAL** (si es necesario) Retire los tornillos de 3/8" asegurando la bisagra central al gabinete. Use un destornillador T20 para retirar el tornillo externo.



PASO 6 MUEVA EL REFRIGERADOR

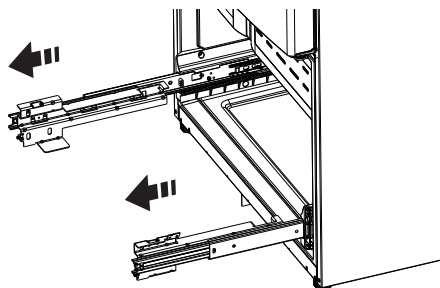
- Coloque un trozo de cartón o tela suave contra el panel lateral del refrigerador para amortiguar y proteger el acabado de acero inoxidable.
- Coloque el refrigerador en el carro manual, apoyando un lado contra este último.
- Mueva el refrigerador a un área interna. Coloque el refrigerador cerca de la ubicación de la instalación.

Instrucciones de Instalación

PASO 7 RETIRE EL CAJÓN DEL FREEZER

ADHIERA Y ASEGURE EL FRENTE DEL CAJÓN A LAS CORREDERAS

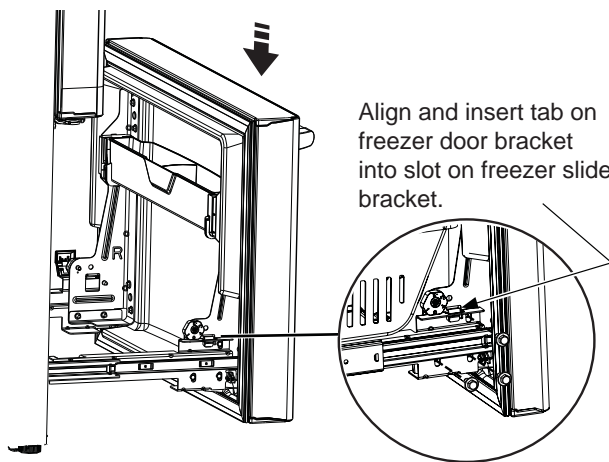
- A. Empuje el Mecanismo de deslizamiento hasta su extensión completa usando ambas manos de forma simultánea.
- B. Retire la canasta que se apoya sobre las correderas.



⚠PRECAUCIÓN Riesgo al levantar la puerta

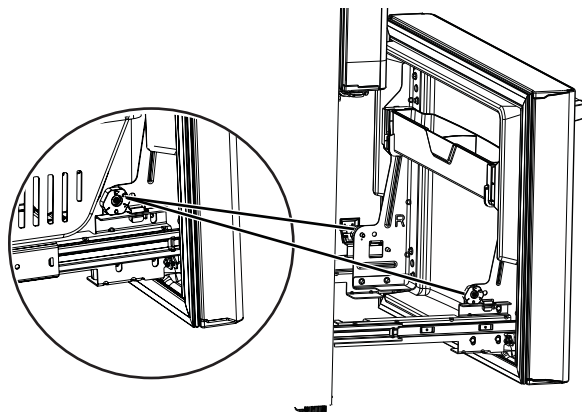
La puerta del freezer es pesada. Use ambas manos para asegurar la puerta antes de levantar la misma.

- C. Levante la puerta del freezer y coloque la misma en el mecanismo de deslizamiento.
- D. Reemplace los tornillos adheridos y ajuste los tornillos con giros de torsión hasta 65 libras pulgada (7.34 N-m).
- E. Ajuste la brecha de la puerta del freezer, de ser necesario.

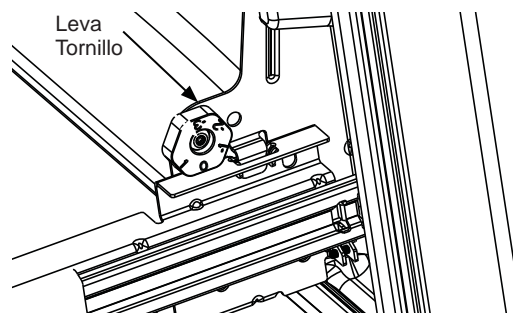


PASO 8 NIVELE EL CAJÓN DEL FREEZER

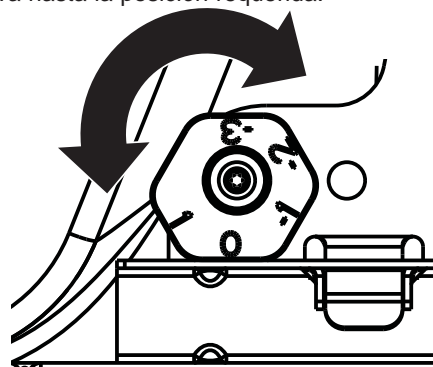
- A. Ubique la leva de ajuste de altura en la puerta del freezer. Lentamente afloje los tres tornillos de ajuste de la puerta a ambos lados usando un destornillador con cabeza hueca hexagonal de 3/8".



- B. Ubique y afloje el tornillo de leva usando un destornillador T-27.



- C. Levante la puerta del lado que requiera ajustes, y gire la leva hasta la posición requerida.



- 0- Posición inicial
- 1- Levante de a 0.050"
- 1- Baje de a 0.050"
- 2- Baje de a 0.100"
- 3- Baje de a 0.150"

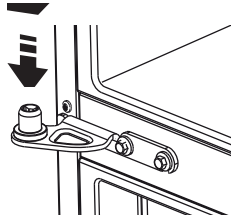
- D. Luego del ajuste, tense los 3 tornillos de ajuste usando hasta 65 libras pulgada (7.34 N-m).

Instrucciones de Instalación

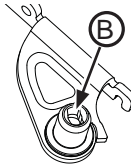
PASO 9 REEMPLACE LAS PUERTAS DE COMIDAS FRESCAS

Invierta los pasos 1 a 4 para reinstalar el refrigerador, siga los detalles que figuran a continuación para conocer las alineaciones críticas.

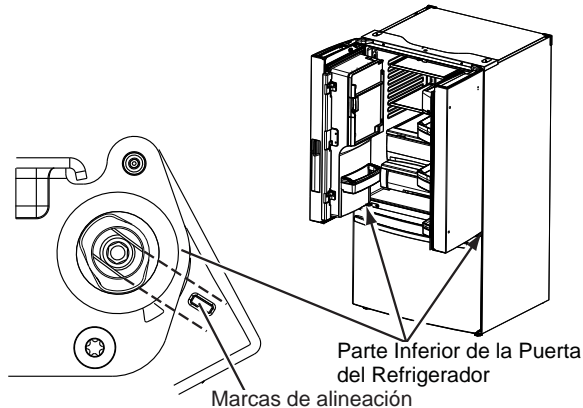
- A. Vuelva a instalar la bisagra central primero y gire el tornillo de ¼" a 65 libras por pulgada (7.34 N-m) y el tornillo pequeño a 25 libras por pulgada (2.82 N-m). Dándole al tornillo un 1/3 de giro luego de que quede nivelado con la superficie de contacto se lograrán realizar estos giros.



- B. Si la bisagra del refrigerador posee una ranura parecida a la imagen B sobre la derecha, siga los pasos que figuran más abajo. De otro modo, diríjase al paso C.



Con la puerta LH a más de 90° hacia el frente de la caja, baje la puerta del refrigerador. Asegúrese de que la puerta y la bisagra se alineen correctamente. Gire la puerta hasta cerrarla y asegúrese de que la parte sellada del centro móvil de la puerta se alinee con el cerradero. Si la puerta no puede ser instalada a 90°, siga estos próximos pasos. Instale la puerta a 90° del frente de la caja. Si el espacio o el modelo limita la apertura de la puerta a menos de 180°, retire la puerta y con cuidado dé vuelta la misma. Controle la alineación de la puerta. Hay una marca de alineación en el mecanismo de cierre de la puerta que coincide con una marca de alineación sobre la tapa del extremo inferior. Gire el mecanismo de cierre de la puerta para alinear la marca y la flecha.



- C. Si la bisagra de su refrigerador no posee una ranura y se parece a la imagen C de la derecha, entonces simplemente baje el agujero exterior de la puerta sobre el perno de la bisagra.



- D. De forma segura encinte el cierre de la puerta con cinta de mascarar o pida a otra persona que sostenga la puerta.

PASO 9 REEMPLACE LAS PUERTAS DE COMIDAS FRESCAS (Cont.)

- E. Siga el mismo procedimiento para instalar la puerta opuesta. No hay cables, tuberías de agua de tapas de bisagras centrales en la puerta opuesta.
- F. Asegúrese de reinstalar el cable a tierra y el amortiguador de refuerzo a la bisagra superior.
- G. Vuelva a instalar la tapa de la bisagra. **NOTA:** Asegúrese de que los cables no sufran cortes ni queden debajo de tornillos antes de ajustar estos últimos.

PASO 10 INSTALE EL SUMINISTRO DE AGUA

Los kits de suministro de agua de cobre recomendados son WX8X2, WX8X3 o WX8X4, dependiendo de la cantidad de tubería necesaria. Las tuberías de suministro de agua de plástico aprobadas son las Tuberías para Refrigerador de GE SmartConnect™ (WX08X10006, WX08X10015 y WX08X10025).

Al conectar su refrigerador a un Sistema de Agua por Ósmosis Inversa, la única instalación aprobada es con el Kit RV de GE Appliances. Con otros sistemas de agua por ósmosis inversa, siga las recomendaciones del fabricante.

Si el suministro de agua al refrigerador es de un Sistema de Filtración de Agua por Ósmosis Inversa (RO) Y el refrigerador también cuenta con un filtro de agua, use el enchufe del bypass del filtro del refrigerador. El uso del cartucho de filtración de agua del refrigerador junto con un filtro de agua por ósmosis inversa podrá producir cubos de hielo huecos. Algunos modelos no vienen equipados con el enchufe del bypass del filtro. Para obtener un enchufe del bypass gratis, llame al 800-GEARES. En Canadá, llame al 888.880.3030.

Esta instalación de la tubería de agua no posee garantía del fabricante del refrigerador o de la máquina de helos. Siga estas instrucciones con cuidado, a fin de minimizar el riesgo de daños caros sobre el agua.

Los golpes de ariete (agua que golpea las tuberías) en la plomería del hogar pueden ocasionar daños sobre las piezas del refrigerador y generar pérdidas de agua o inundación. Llame a un plomero calificado para corregir los golpes de ariete antes de instalar la tubería de suministro de agua al refrigerador.

A fin de evitar quemaduras y daños sobre los productos, no adhiera la tubería de agua a la tubería de agua caliente.

No instale la tubería de la máquina de helos en áreas donde las temperaturas sean inferiores a las de congelación.

Al usar cualquier dispositivo eléctrico (tal como un taladro eléctrico) durante la instalación, asegúrese de que el mismo posea un doble aislante o que esté conectado a tierra de modo que se prevenga el riesgo de descargas eléctricas, o que esté alimentado por medio de una batería.

Todas las instalaciones deberán ser acordes con los requisitos del código de plomería local.

- Kit de Tubería para Refrigerador de Cobre o GE SmartConnect™ de ¼" de diámetro externo para conectar el refrigerador al suministro de agua. Si usará cobre, asegúrese de que ambos extremos de la tubería hayan sido cortados de forma recta.

Instrucciones de Instalación

PASO 10 INSTALE EL SUMINISTRO DE AGUA (Cont.)

A fin de determinar cuánta tubería es necesaria: mida la distancia desde la válvula de agua en la parte trasera del refrigerador hasta la tubería del suministro de agua. Asegúrese de que haya suficiente tubería adicional para permitir que el refrigerador pueda ser retirado de la pared luego de la instalación.

Los Kits de Tuberías para Refrigerador de GE SmartConnect™ están disponibles en las siguientes longitudes:

- 6' (1.8 m) – WX08X10006
- 15' (4.6 m) – WX08X10015
- 25' (7.6 m) – WX08X10025

⚠ ADVERTENCIA

Realice la conexión a un suministro de agua potable únicamente. Se requiere un suministro de agua fría para el funcionamiento de la máquina de hielos automática. La presión del agua deberá estar entre 40 y 120 psi (275-827 kilopascales).

PASO 11 CONECTE EL SUMINISTRO DE AGUA

Se requiere un suministro de agua fría para el funcionamiento de la máquina de hielos automática. Si no se cuenta con un suministro de agua fría, deberá proveer uno. Consulte la sección sobre Instalación del Suministro de Agua.

NOTAS:

- Antes de realizar la conexión al refrigerador, asegúrese de que el cable de corriente del mismo no se encuentre enchufado al tomacorriente.
 - Si su refrigerador no cuenta con un filtro de agua, le recomendamos que instale uno si el suministro de agua posee arena o partículas que podrían atascar la rejilla de la válvula de agua del refrigerador. Instale el mismo en la tubería de agua más cercana al refrigerador. Si usará el Kit de Tuberías para Refrigeradores de SmartConnect™, necesitará una tubería adicional (WX08X10002) para realizar la conexión al filtro. No corte la tubería de plástico para instalar el filtro.
 - Antes de conectar la tubería de agua al hogar, purgue la tubería del hogar durante por lo menos 2 minutos.
- A.** Si usará una tubería de cobre, coloque una tuerca de compresión y una abrazadera de refuerzo (mango) en el extremo de la tubería proveniente del suministro de agua fría del hogar.
- Si usará la tubería de SmartConnect™, las tuercas ya están ensambladas en la tubería.

⚠ ADVERTENCIA



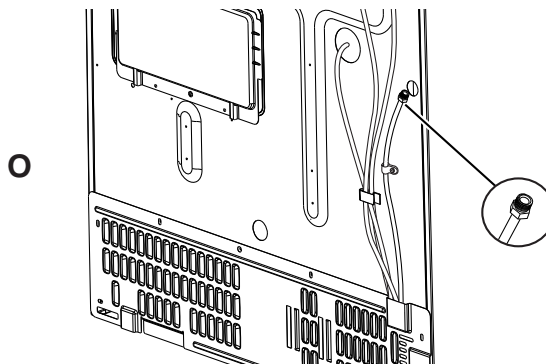
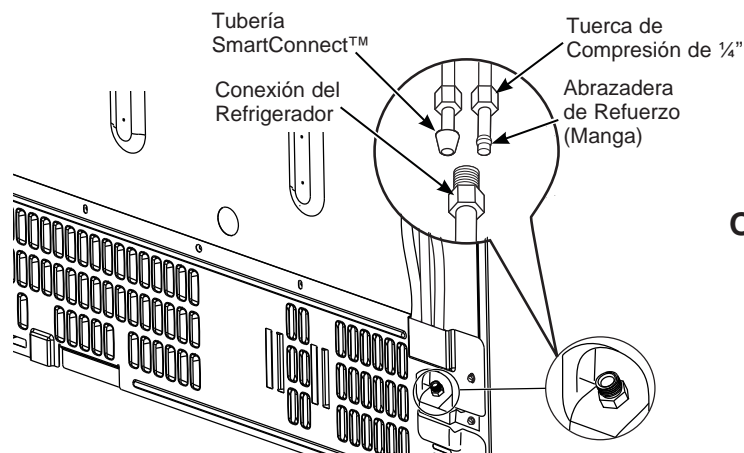
PELIGRO DE DESCARGA ELÉCTRICA

Adhiera la abrazadera de la tubería usando el agujero existente únicamente. NO perforo el refrigerador.

- B.** Si usará tuberías de cobre, inserte el extremo de la tubería en la conexión del refrigerador, en la parte trasera del refrigerador, lo más lejos posible. Al sostener la tubería, ajuste la unión.
- Si usará tuberías de SmartConnect™, inserte el extremo moldeado de la tubería en la conexión del refrigerador, en la parte trasera del refrigerador, y ajuste la tuerca de compresión hasta que quede ajustada manualmente. Luego realice un ajuste adicional con un giro de llave. Ajustar en exceso, podrá ocasionar pérdidas.
- C.** Ajuste la tubería a la abrazadera provista para sostener la misma en la posición correcta. Será necesario que abra la abrazadera haciendo palanca.
- D.** Abra el agua desde la válvula de cierre para controlar que no haya pérdidas.

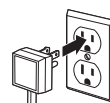
⚠ ADVERTENCIA

Realice la conexión a un suministro de agua potable únicamente. Se requiere un suministro de agua fría para el funcionamiento de la máquina de hielos automática. La presión del agua deberá estar entre 40 y 120 psi (275-827 kilopascales).



PASO 12 ENCHUFE EN EL REFRIGERADOR

Consulte la información de conexión a tierra adjunta al cable de corriente.



Instrucciones de Instalación

PASO 13 NIVELE EL REFRIGERADOR

Las patas niveladoras cumplen 2 propósitos:

- Las patas niveladoras se ajustan de modo que el refrigerador quede posicionado de manera firme en el piso y no se tambalee.
- Las patas niveladoras sirven como freno estabilizador para sostener el refrigerador de forma segura en su posición durante el funcionamiento y la limpieza. Las patas niveladoras también evitan la caída del refrigerador.

Gire las patas niveladoras en dirección de las agujas del reloj para levantar el refrigerador, y en contra de las agujas del reloj para bajarlo.

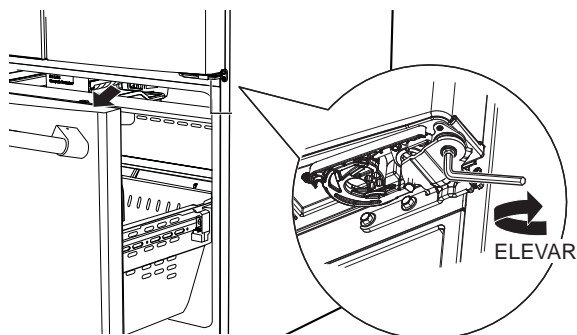
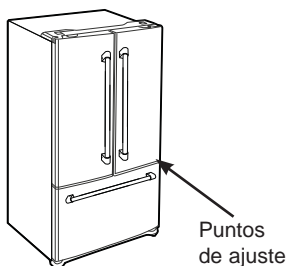


AVISO: A fin de evitar posibles daños sobre la propiedad, las patas niveladoras deberán estar tocando el piso de manera firme.

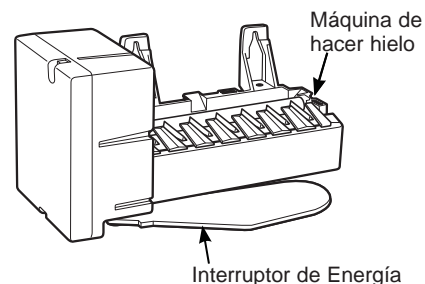
PASO 14 NIVELE LAS PATAS

Recuerde que es necesario que el refrigerador esté nivelado para que las puertas estén perfectamente apoyadas. Si necesita ayuda, revise la sección previa sobre nivelación del refrigerador.

- A. Si abre la puerta del freezer, podrá ver la bisagra central.
- B. Inserte una llave Allen de ¼" en el hueco de la bisagra central.
- C. Ajuste la altura girando en dirección a favor o en contra de las agujas del reloj. Al girar en contra de las agujas del reloj, la puerta se moverá.



PASO 15 RETIRE EL EMBALAJE ENCIENDA LA MÁQUINA DE HIELOS



- A. Retire toda la cinta, gomaespuma y embalajes protectores de los estantes y cajones.
- B. Retire los amarres que se encuentran en las canastas del freezer.

Encienda/ apague la máquina de hielo desde el panel de control de temperatura.

La máquina de hacer hielo se llenará de agua cuando se enfríe y llegue a los 15°F (-10°C). Puede llevar entre 12 y 24 horas que un refrigerador recién instalado comience a fabricar hielo.

Es normal que el hielo aparezca descolorado durante las primeras 24 horas de producción, o luego del reemplazo del filtro de agua. Para los modelos Sin Dispensador, descarte la primera cubitera de producción de hielo.

NOTA: En condiciones con menor presión de agua, la válvula de agua se podrá activar hasta 3 veces para entregar suficiente agua a la máquina de hielos.

PASO 16 CONTROLES DE TEMPERATURA

- Los controles de temperatura están preconfigurados en 37° para el refrigerador y en 0°F para el freezer.
- Permita que se establezca durante 24 horas antes de realizar ajustes.

PASO 17 PURGA DEL SISTEMA DE AGUA

Una vez que la unidad se encuentre encendida, presione el botón / paleta del dispensador y dispense agua durante por lo menos 5 minutos para eliminar el aire de la tubería de agua, y nivelar el filtro.

Las primeras cantidades de hielo también se deberán descartar. Para los modelos Sin Dispensador, descarte la primera cubitera de producción de hielo.

NOTA: Al realizar las instalaciones descritas en este libro, se deberán usar anteojos o gafas de seguridad.

NOTA: GE Appliances se esfuerza de forma constante para mejorar sus productos. Por lo tanto, los materiales, el aspecto y las especificaciones están sujetos a cambios sin aviso previo.