

Installation Instructions

Island Vent Hood

ZV850, ZV855

Hotte Aspirante Îlot

Instructions d'installation

La section française commence à la page 22

Campana de ventilación en isla

Instrucciones de instalación

La sección en español empieza en la página 43



Safety Information

READ AND SAVE THESE INSTRUCTIONS

BEFORE YOU BEGIN

Read these instructions completely and carefully.

- **IMPORTANT** – Save these instructions for local inspector's use.
- **IMPORTANT** – Observe all governing codes and ordinances.
- **Note to Installer** – Be sure to leave these instructions with the Consumer.
- **Note to Consumer** – Keep these instructions with your Owner's Manual for future reference.
- **Skill Level** – Installation of this appliance requires basic mechanical and electrical skills.
- **Completion Time** – 1 to 3 Hours.
- Proper installation is the responsibility of the installer. Product failure due to improper installation is not covered under the warranty.

For Monogram local service in your area, call 1.800.444.1845.
For Monogram service in Canada, call 1.800.561.3344.
For Monogram Parts and Accessories, call 1.800.626.2002.

⚠ CAUTION:

Due to the weight and size of these vent hoods and to reduce the risk of personal injury or damage to the product, **TWO PEOPLE ARE REQUIRED FOR PROPER INSTALLATION.**

⚠ WARNING:

To reduce the risk of fire or electrical shock, do not use this range hood with any external solid-state speed control device. Any such alteration from original factory wiring could result in damage to the unit and/or create an electrical safety hazard.

TO REDUCE THE RISK OF FIRE, USE ONLY METAL DUCTWORK.

⚠ WARNING: TO REDUCE THE RISK OF FIRE, ELECTRICAL SHOCK OR INJURY TO PERSONS, OBSERVE THE FOLLOWING:

- A. Use this unit only in the manner intended by the manufacturer. If you have any questions, contact the manufacturer.
- B. Before servicing or cleaning the unit, switch the power off at the service panel and lock the service disconnecting means to prevent the power from being switched on accidentally. When the service disconnecting means cannot be locked, securely fasten a prominent warning device, such as a tag, to the service panel.

⚠ CAUTION: FOR GENERAL VENTILATING USE ONLY. DO NOT USE TO EXHAUST HAZARDOUS MATERIALS, EXPLOSIVE MATERIALS OR VAPORS.

⚠ WARNING: TO REDUCE THE RISK OF FIRE, ELECTRICAL SHOCK OR INJURY TO PERSONS, OBSERVE THE FOLLOWING:

- Installation work and electrical wiring must be done by qualified person(s) in accordance with all applicable codes and standards, including fire-rated construction.
- Sufficient air is needed for proper combustion and exhausting of gases through the flue (chimney) of fuel burning equipment to prevent back-drafting. Follow the heating equipment manufacturer's guidelines and safety standards, such as those published by the National Fire Protection Association (NFPA), the American Society for Heating, Refrigeration and Air Conditioning Engineers (ASHRAE) and the local code authorities.
- When cutting or drilling into walls or ceilings, do not damage electrical wiring and other hidden utilities.
- Ducted systems must always be vented to the outdoors.
- Local codes vary. Installation of electrical connections and grounding must comply with applicable codes. In the absence of local codes, the vent should be installed in accordance with National Electrical Code ANSI/NFPA 70-1990 or latest edition.

⚠ CAUTION: To reduce risk of fire and to properly exhaust air, be sure to duct air outside—do not vent exhaust air into spaces within walls or ceilings or into attics, crawl spaces or garages.

Design Information

CONTENTS

Design Information

Models Available	3
Product Dimensions.....	3

Advance Planning

Ductwork Planning	4
Ceiling Framing for Adequate Support	4

Installation Preparation

Duct Fittings.....	5
Power Supply	6
Tools and Materials Required	6
Remove the Packaging	7
Check Installation Hardware	7
Determine Installation Height.....	8
Install Ceiling Support Structure	9-11

Installation Instructions

Installation – Vented to the Outside	12-16
Step 1, Mount Template	12
Step 2, Install Upper Support Frame.....	12
Step 3, Install Lower Support Frame.....	12

Step 4, Secure Wiring	13
Step 5, Size and Install Ductwork	13
Step 6, Install Decorative Duct Covers.....	14
Step 7, Install Hood	15
Step 8, Connect Electrical.....	15
Step 9, Slide Duct Cover Down, Install Side Utensil Rods	15
Step 10, Install Filters	16
Step 11, Finalize Installation	16

Installation Instructions

Installation – Recirculating.....	17-21
Step 1, Mount Template	17
Step 2, Install Upper Support Frame.....	17
Step 3, Install Lower Support Frame.....	18
Step 4, Secure Wiring	18
Step 5, Size and Install Ductwork	18
Step 6, Install Decorative Duct Covers.....	19
Step 7, Install Hood	20
Step 8, Connect Electrical.....	20
Step 9, Slide Duct Cover Down, Install Side Utensil Rods	20
Step 10, Install Filters	21
Step 11, Finalize Installation	21

MODELS AVAILABLE

Model ZV850, 360 CFM
Model ZV855, 500 CFM

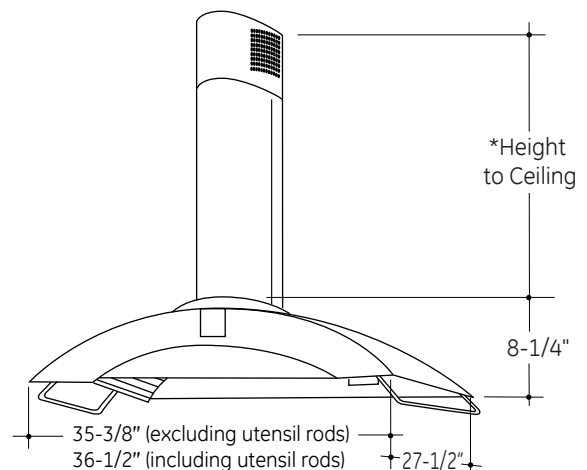
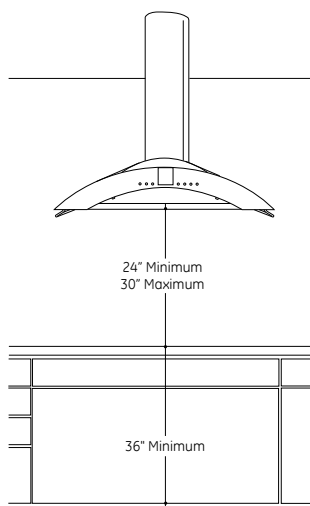
These hoods may be installed to vent to the outdoors, or they may be installed for recirculating operation. All necessary parts for recirculating operation are supplied with the hood. No kits required.

- These vent hoods can be installed over any 30" or 36" Monogram electric or gas cooktop except Monogram Professional cooktops or ranges larger than 30".
- Reversible duct covers accommodate recirculating operation.
- The telescopic duct covers conceal the ductwork running from the top of the hood to the ceiling.
- The supplied duct cover is sized to reach ceiling heights over 8 feet. See the table on page 8.

PRODUCT DIMENSIONS AND CLEARANCES

The vent hood must be installed 24" minimum and 30" maximum above the cooking surface.

NOTE: Installation height should be measured from the cooking surface to the lowest part of the hood.



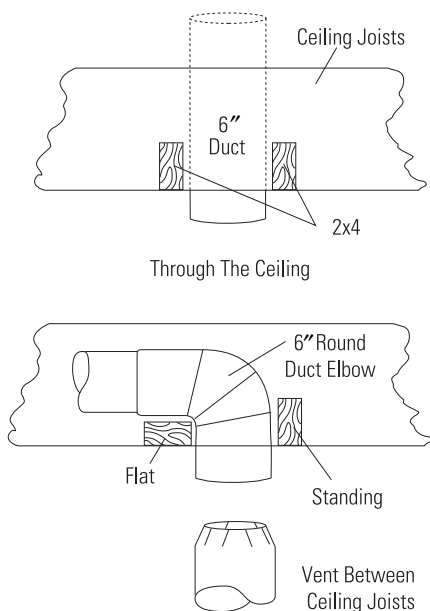
ZX8510SPSS Duct Cover Accessory

This accessory is available for installation with ceiling heights of 8' 7" to over 10 feet. See the table on page 8. The duct cover accessory must be on-site with the hood at the time of installation.

Advance Planning

DUCTWORK PLANNING

- The hood is designed to be vented vertically through the ceiling. Use locally supplied elbows to vent horizontally through the rear wall.
- Determine the exact location of the vent hood.
- Plan the route for venting exhaust to the outdoors.
- Use the shortest and straightest duct route possible. For satisfactory performance, duct run should not exceed 100' equivalent length for any duct configurations.
- Refer to "Duct Fittings" chart to compute the maximum permissible length for duct runs to the outdoors.
- Use rigid metal ductwork only.



- This vent hood must use 6" round duct. The 6" round duct can transition to 3-1/4" x 10" or 3-1/4" x 12".
- Install the house duct to run horizontally between ceiling joists or straight up through the roof.
- Install a wall or roof cap with damper at the exterior opening. Order the wall or roof cap and any transition and length of duct needed in advance.

⚠ WARNING: TO REDUCE THE RISK OF FIRE, USE ONLY RIGID METAL DUCTWORK.

CEILING FRAMING FOR ADEQUATE SUPPORT

- These vent hoods are heavy. Adequate structural support must be provided. The ceiling structure must be capable of supporting the weight of the hood and any inadvertent user contact loads (approximately 200 pounds). The hood support frame will be supported by 2 x 4 minimum cross-framing.
- Installation will be easier if the vent hood is installed before the cooktop or countertop below is installed.

Accessory Duct Cover

A duct cover accessory may be required for your installation, depending on ceiling height.

Installation Preparation

DUCT FITTINGS

**This Hood Must Use an
6" Round Duct. It Can
Transition to 3-1/4" x 10"
or 3-1/4" x 12" Duct.**

Use this chart to compute maximum permissible lengths for duct runs to outdoors.

NOTE: Do not exceed maximum permissible equivalent lengths!

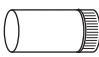



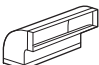
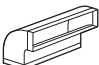
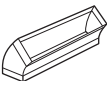
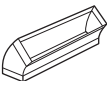


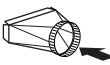
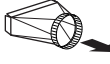
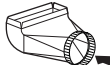
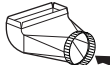
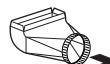
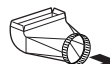
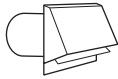
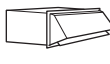

**Maximum duct length:
100 foot for range hoods.**

Flexible ducting:

If flexible metal ducting is used, all the equivalent feet values in the table should be doubled. The flexible metal duct should be straight and smooth and extended as much as possible.

DO NOT use flexible plastic ducting.

NOTE: Any home ventilation system, such as a ventilation hood, may interrupt the proper flow of combustion air and exhaust required by fireplaces, gas furnaces, gas water heaters and other naturally vented systems. To minimize the chance of interruption of such naturally vented systems, follow the heating equipment manufacturer's guidelines and safety standards such as those published by NFPA and ASHRAE.

Duct Piece	Dimensions	Equivalent Length*	Quantity Used	Total Equivalent Length
	Round, straight	1 ft. (per foot length)		
	3-1/4" x 10" straight	1 ft. (per foot length)		
	90° elbow	12 ft.		
	45° elbow	7 ft.		
	3-1/4" x 10" 90° elbow	14 ft.		
	3-1/4" x 12" 90° elbow	10 ft.		
	3-1/4" x 10" 45° elbow	8 ft.		
	3-1/4" x 12" 45° elbow	6 ft.		
	3-1/4" x 10" 90° flat elbow	33 ft.		
	3-1/4" x 12" 90° flat elbow	24 ft.		
	6" round to rectangular	2 ft.		
	Rectangular to 8" round	2 ft.		
	3-1/4" x 10" 3-1/4" x 12"	4 ft.		
	6" round to rectangular transition 90° elbow	4 ft.		
	3-1/4" x 10" 3-1/4" x 12" 90° elbow	4 ft.		
	Rectangular to 6" round transition 90° elbow	4 ft.		
	Round wall cap with damper	24 ft.		
	3-1/4" x 10" 3-1/4" x 12" Rectangular wall cap with damper	24 ft. 18 ft.		
	Round roof cap	33 ft.		

*Actual length of straight duct plus duct fitting equivalent. Equivalent length of duct pieces are based on actual tests conducted by GE Evaluation Engineering and reflect requirements for good venting performance with any ventilation hood.

Total Duct Run _____

Installation Preparation

POWER SUPPLY

IMPORTANT – (Please read carefully)

⚠ WARNING:

FOR PERSONAL SAFETY, THIS APPLIANCE MUST BE PROPERLY GROUNDED.

Remove house fuse or open circuit breaker before beginning installation.

Do not use an extension cord or adapter plug with this appliance. Follow National Electrical Code or prevailing local codes and ordinances.

Electrical supply

This vent hood must be supplied with 120V, 60Hz, and connected to an individual, properly grounded branch circuit, and protected by a 15- or 20-amp circuit breaker or time-delay fuse.

- Wiring must be 2-wire with ground.
- If the electrical supply does not meet the above requirements, call a licensed electrician before proceeding.
- Route house wiring as close to the installation location as possible. Route additional length from ceiling joists to reach the junction box on the hood.
- Connect the wiring to the house wiring in accordance with local codes.

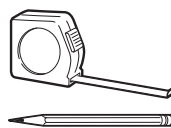
Grounding instructions

The grounding conductor must be connected to a ground metal, permanent wiring system, or an equipment-grounding terminal or lead on the hood.

⚠ WARNING: The improper connection of the equipment-grounding conductor can result in a risk of electric shock. Check with a qualified electrician or service representative if you are in doubt whether the appliance is properly grounded.

TOOLS AND MATERIALS REQUIRED

(NOT SUPPLIED)



Pencil and tape measure



Safety glasses



Gloves



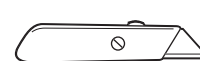
Spirit level



Hammer



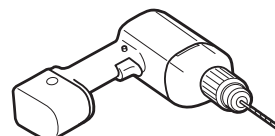
Phillips screwdriver



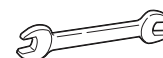
Utility knife



Flashlight



Electric drill with 5/32" bits, #2 Phillips and 7/16" socket



10 mm wrench



Metal snips



Pliers



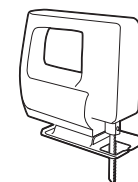
Stepladder



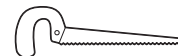
Masking tape



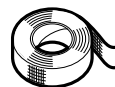
Wire cutter/stripper



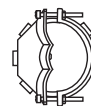
Saber saw or keyhole saw



UL-listed wire nuts



Aluminized duct tape



Strain relief for junction box



Plumb



6" round metal duct, length to suit installation



120V, 60Hz, 15- or 20-Amp, 2-wire with ground, properly grounded branch circuit

Installation Preparation

REMOVE THE PACKAGING

⚠ CAUTION: Wear gloves to protect against sharp edges.

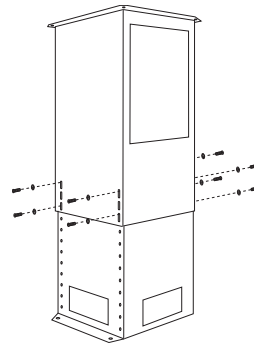
The vent hood is packed with the duct cover and support frames.

- Remove the hood, parts and packaging.
- Remove junction box cover.
- Install strain relief onto junction box cover (not supplied).

NOTE: Additional tools, materials and hardware are required to construct your ceiling support.

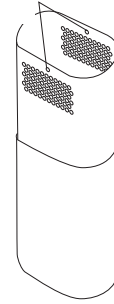
Check Installation Hardware

Locate the hardware accessory bag packed with the hood and check contents.

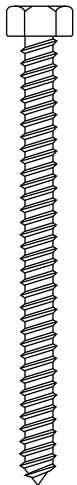


Support frames with 8 screws and 8 washers

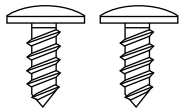
Mounting screw holes



Decorative duct covers



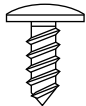
4 Hex-head wood lag screws (6 mm x 2-1/2" or 1/4 x 2-1/2")



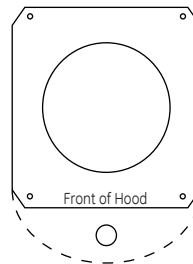
2 Phillips-head duct cover screws



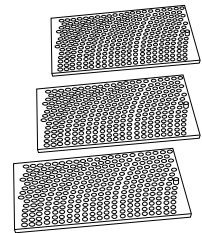
4 Flat washers



2 Stop screws (One is in the service manual envelope. Leave that screw in the envelope.)



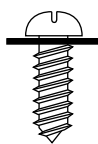
Template



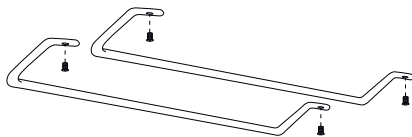
3 Stainless steel grease filters



4 (10 mm) Nuts and lock washers

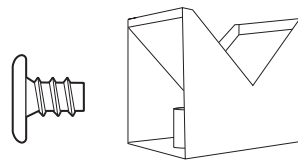


8 Frame attachment screws with washers (attached to accessory support frames)

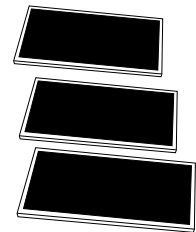


2 Utensil rods with 4 machine screws

Additional Parts for Recirculating Operation



Air deflector with upper duct connector and 4 small flat-head screws

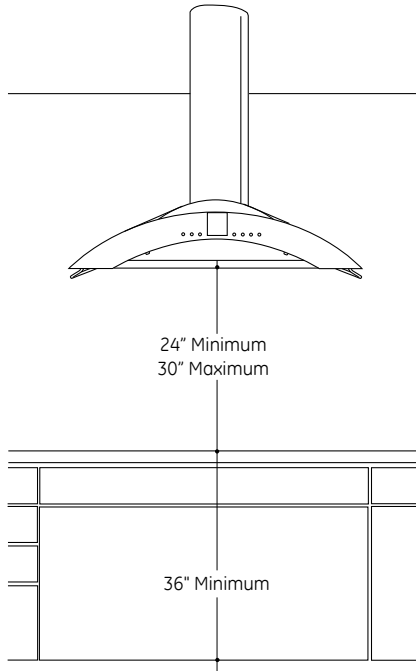


3 Charcoal filters

Installation Preparation

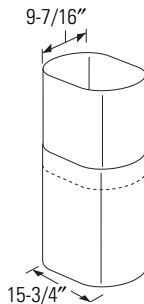
DETERMINE INSTALLATION HEIGHT

- Telescopic duct covers are provided to conceal the ductwork running to the ceiling.
- This hood can be installed for vented or recirculating operation. All necessary parts are shipped with the hood.



NOTE: Installation height should be measured from the cooking surface to the bottom of the hood. The vent hood must be installed 24" min. and 30" max. above the cooking surface. The hood installation height, from the cooking surface to the bottom of the hood, depends upon ceiling height and duct cover limitations.

DUCT COVER DIMENSIONS



ZX8510SPSS Duct Cover Accessory

The accessory is available for installation with ceiling heights of 8' 7" to over 10 feet. This accessory consists of two 26-1/4" duct covers and one 31" upper support frame piece.

ZV850/ZV855 Installation Heights			Lower Frame 20.75"	Upper Frame 20.75"	Lower Duct 18"	Upper Duct 18"	Upper Frame 31" + Supplied Lower Frame	Lower Duct 26.25"	Upper Duct 26.25"
Ceiling Height	*Possible VENTED Installation Height	*Possible RECIRCULATING Installation Height	SUPPLIED FRAME		SUPPLIED DUCT COVERS		ZX8510SPSS - ACCESSORY UPPER FRAME		
7' 11"	24"	24"							
8'	24" to 25"	24" to 25"							
8' 1"	24" to 26"	24" to 26"							
8' 2"	25" to 27"	24" to 27"							
8' 3"	26" to 28"	24" to 28"							
8' 4"	27" to 29"	24" to 29"							
8' 5"	28" to 30"	24" to 30"							
8' 6"	29" to 30"	25" to 30"							
8' 7"	30"	26" to 30"							
8' 8"		27" to 30"							
8' 9"		28" to 30"							
8' 10"		29" to 30"							
8' 11"		30"							
8' 7"	24"	24"							
8' 8"	24" to 25"	24" to 25"							
8' 9"	24" to 26"	24" to 26"							
8' 10"	24" to 27"	24" to 27"							
8' 11"	24" to 28"	24" to 28"							
9'	24" to 29"	24" to 29"							
9' 1"	24" to 30"	24" to 30"							
9' 2"	24" to 30"	24" to 30"							
9' 3"	24" to 30"	24" to 30"							
9' 4"	24" to 30"	24" to 30"							
9' 5"	24" to 30"	24" to 30"							
9' 6"	24" to 30"	24" to 30"							
9' 7"	24" to 30"	24" to 30"							
9' 8"	25" to 30"	24" to 30"							
9' 9"	26" to 30"	24" to 30"							
9' 10"	27" to 30"	24" to 30"							
9' 11"	28" to 30"	25" to 30"							
10'	29" to 30"	26" to 30"							
10' 1"	30"	27" to 30"							
10' 2"		28" to 30"							
10' 3"		29" to 30"							
10' 4"		30"							

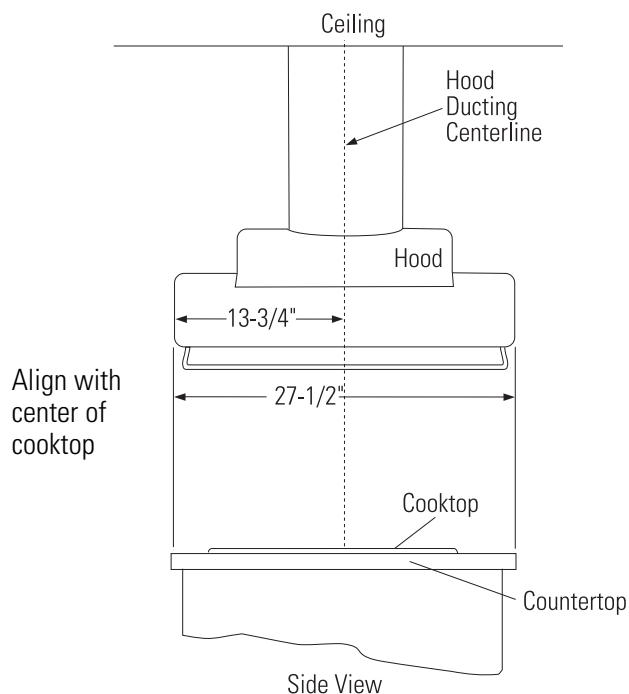
*Based on 36" countertop height.

Installation Preparation

CONSTRUCT CEILING SUPPORT

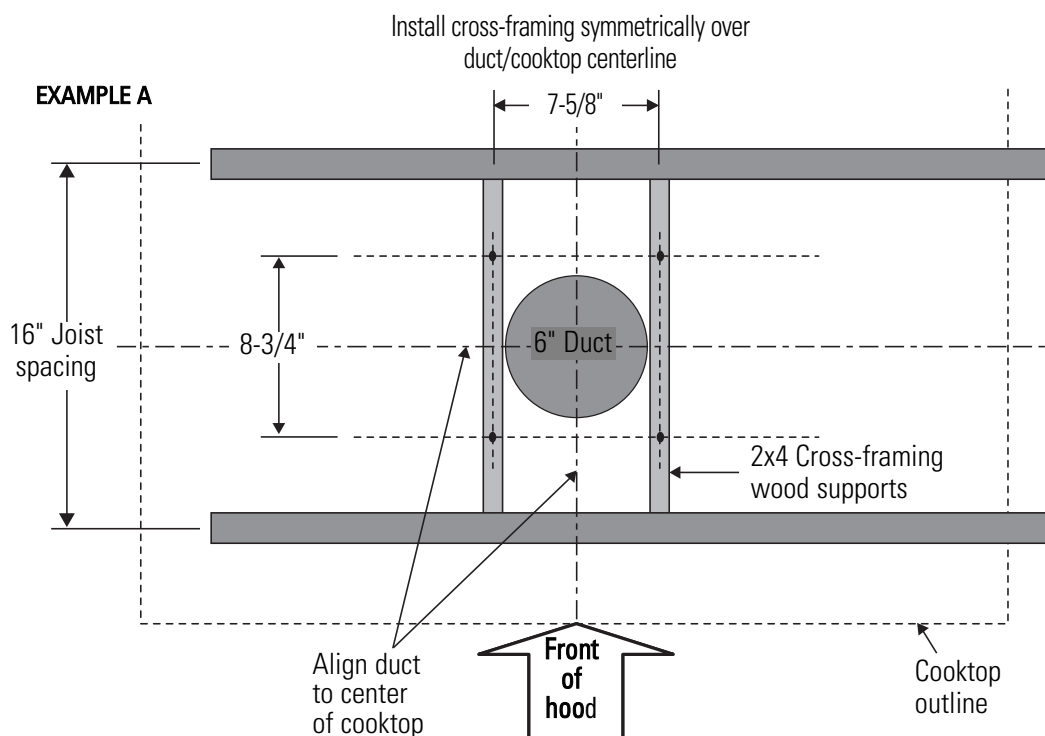
Plan the Location of the Hood and Ductwork

- Use a plumb bob to check the location. The countertop/cooktop below the hood must be centered with the hood.
- The hood should extend beyond the front and rear edge of the cooking appliance.
- The duct in the ceiling must be centered over the cooktop.



Ceiling Support Structure

- At the hood location, install cross-framing between ceiling joists as shown. (2x4 wood supports are required to support the weight of the hood.)
- Arrange cross-framing in the ceiling to suit the existing structure.
- Your ceiling joists will be like one of the following examples.

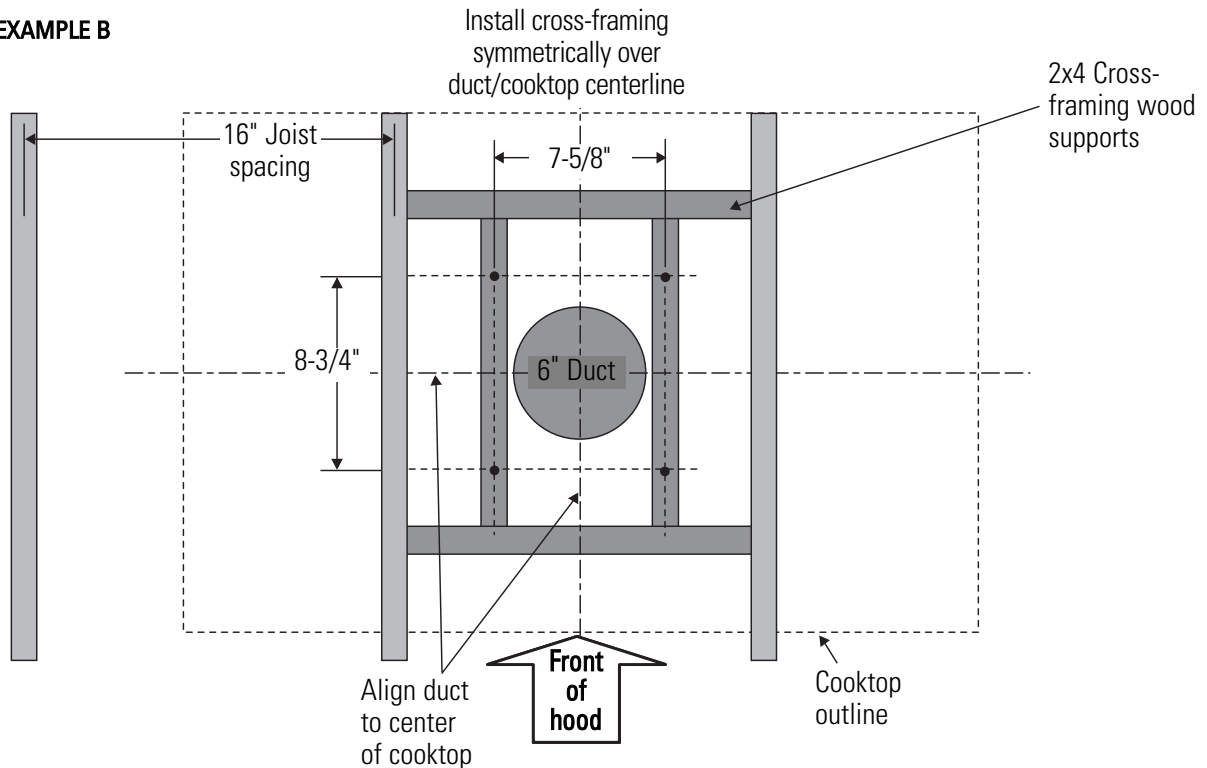


Top view – ceiling joists parallel to front of hood

Installation Preparation

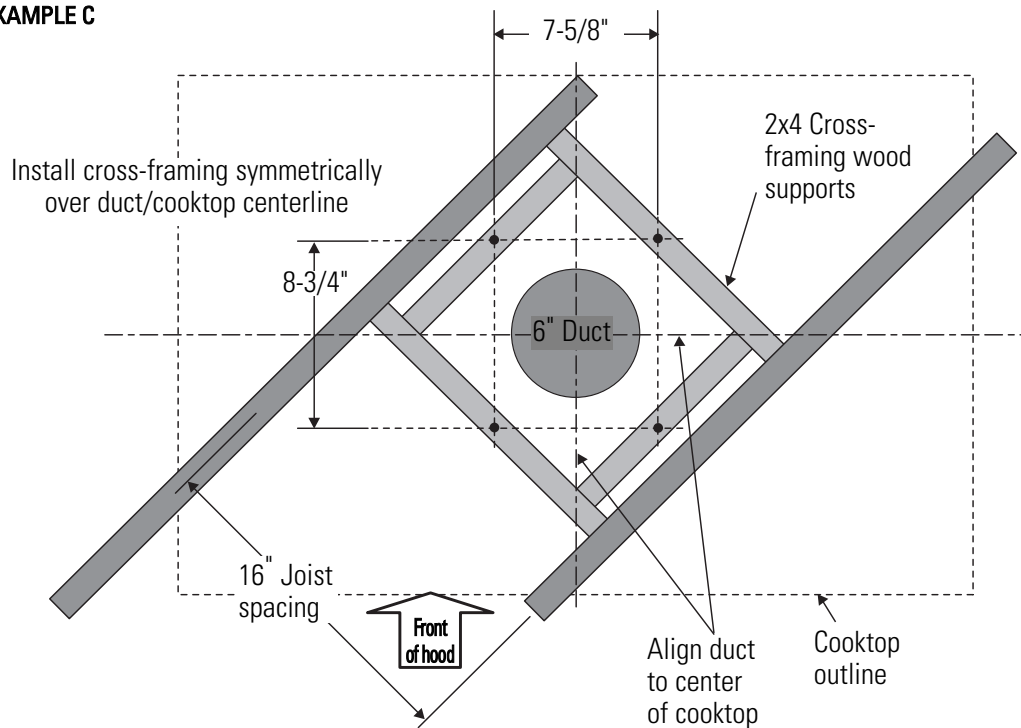
CONSTRUCT CEILING SUPPORT (Continued)

EXAMPLE B



Top view – ceiling joists run perpendicular to front of hood

EXAMPLE C



Top view – ceiling joists at angle to front of hood

Installation Preparation

CONSTRUCT CEILING SUPPORT (Continued)

- Secure each 2 x 4 block with at least four (4), #10 wood screws, 3" long (not supplied). Use 8 wood screws total for the two supports.
- **The cross framing must be accurately aligned to assure correct positioning of the hood.**
- The cross framing must be level in all directions. Check with a spirit level and adjust if necessary.

IMPORTANT: The ceiling structure must be capable of supporting the weight of the hood (approximately 200 pounds) and any inadvertent user contact loads. The hood support frame will be supported by the 2 x 4 cross framing.

Ductwork for Installations Vented to the Outdoors

- Use the shortest and straightest duct route possible. For satisfactory performance, duct run should not exceed 100 feet equivalent length for any duct configuration.
- Refer to "Duct Fittings" chart to compute the maximum permissible length for duct runs to the outdoors.

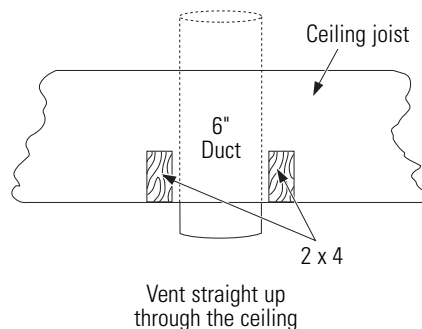
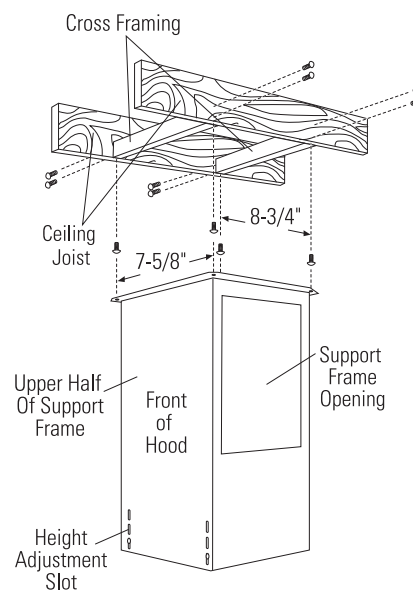
- This vent hood must use 6" round rigid duct.

⚠ WARNING: TO REDUCE THE RISK OF FIRE, USE ONLY RIGID METAL DUCTWORK.

- Install the house ductwork to run horizontally between ceiling joists or straight up through the roof.

Finish the Ceiling

- Finish the ceiling surface. Be sure to mark location of the ceiling joists and cross framing. Check to be sure the ceiling is level; use shims if necessary.

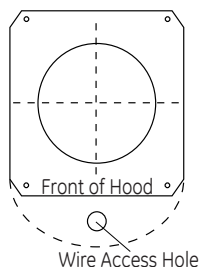


Installation Instructions

INSTALLATION – VENTED TO THE OUTSIDE

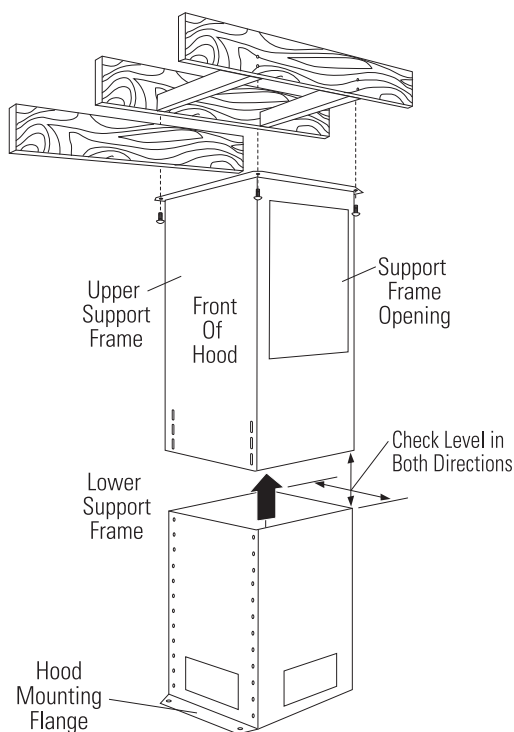
1 MOUNT TEMPLATE

- Align the template with the marks on the ceiling and tape in place.
- Be sure the template is oriented correctly, with the front of the hood.
- Use a plumb to be sure the mounting holes will provide parallel alignment with the countertop below.
- Center punch all hole locations.
- Drill pilot holes in the 4 screw locations. Use a 5/32" bit and drill approximately 1-1/2" deep.
- Cut wire access hole approximately 1" dia.
- Cut the 6-1/2" duct opening through the ceiling.



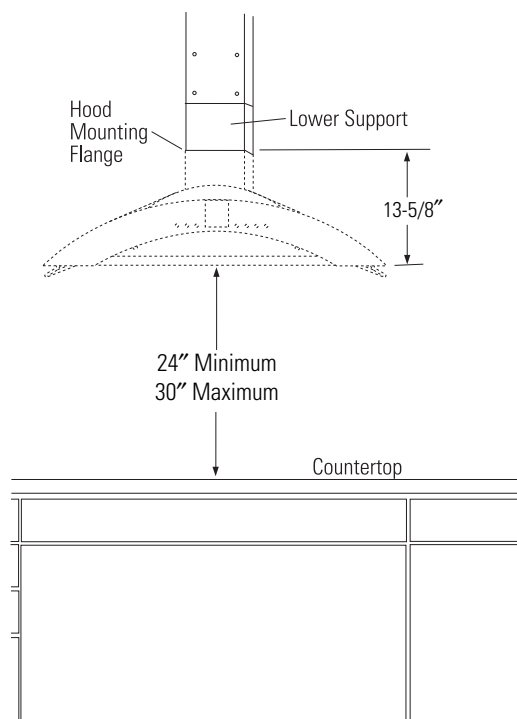
2 INSTALL UPPER SUPPORT FRAME

- Secure the upper support frame to the ceiling joists and/or cross framing with the 4 screws provided. For maximum rigidity and strength, the screws must be driven into the center of the joists and/or cross-framing.
- Check to be sure the support frame is level, vertically and horizontally.



3 INSTALL LOWER SUPPORT FRAME

- Insert lower support frame into the upper support frame and loosely secure with 8 screws and washers (4 on the front and 4 on the back sides).
- Adjust the lower support frame up or down to the desired height above the countertop. Tighten screws.



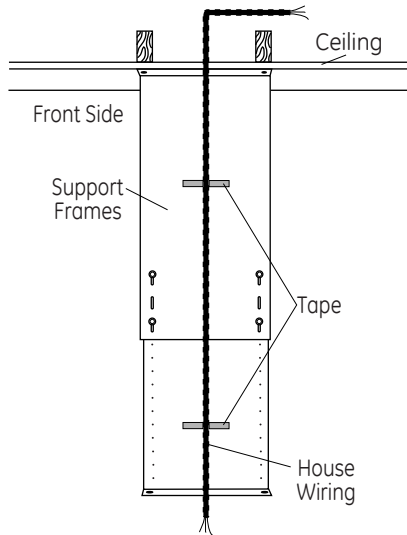
IMPORTANT: Again, check to be sure the support is level in both directions. There is no way to level the hood after the hood is secured to the frame.

Installation Instructions

INSTALLATION – VENTED TO THE OUTSIDE

4 SECURE WIRING

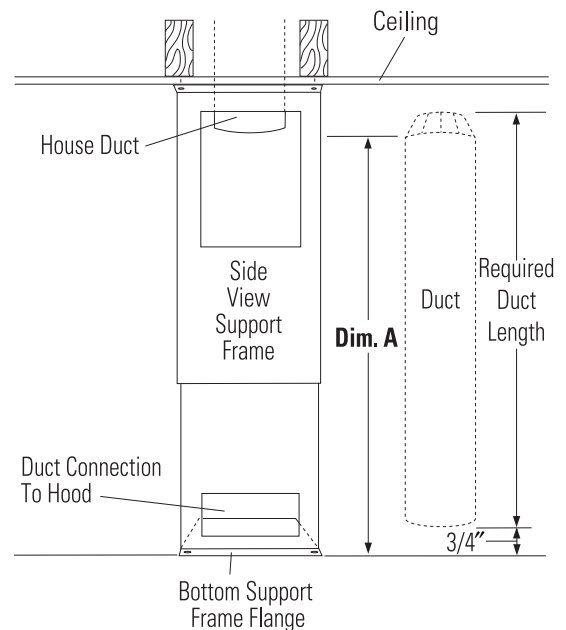
- Route house wiring through the ceiling hole and pull a length to reach the hood junction box.



- Tape the wire to the front of the frame support to prevent damage during installation and service.

5 SIZE AND INSTALL DUCTWORK

- Measure from house duct (Dim. A) to bottom of support frame.
 - Add at least 1" for duct overlap at the top.
 - Subtract 3/4" for hood insertion into the bottom of the frame.
- Cut the 6" dia. duct to the required length.



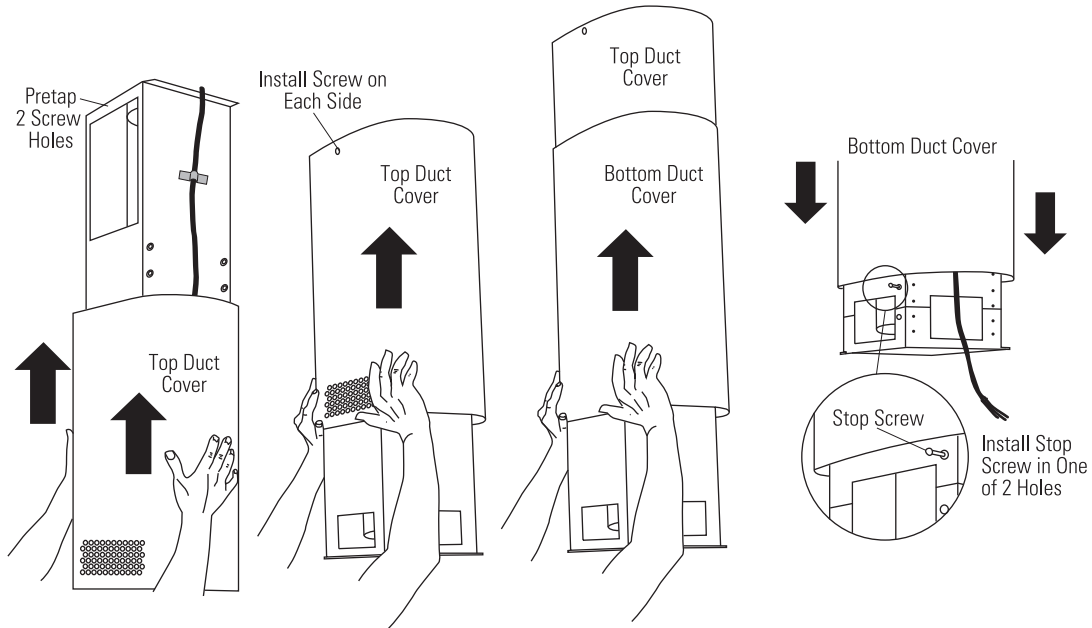
NOTE: The bottom end of the duct must be flared slightly, to facilitate installation of the hood.

- Install duct up through support frames onto the house duct. Push duct up until it is 3/4" from the bottom of the support frame flange.
- Secure the duct to house duct connection with screws and seal with duct tape.
- Seal duct connection with duct tape, making sure connection is secured in place.

Installation Instructions

INSTALLATION – VENTED TO THE OUTSIDE

6 INSTALL DECORATIVE DUCT COVERS



- Pretap or drive decorative screw into the screw holes on the support frame. This will make screw installation easier.

- Separate the two decorative duct covers.
- Select the inside or top cover with the vent hole pattern on one end.

For this vented installation to the outside, the hole pattern should be located at the bottom.

- Locate the 2 supplied duct cover screws.
- Slide the decorative duct cover over the support frame and push to the ceiling.
- Attach the inside duct cover to the hood support at the top with 2 supplied duct cover screws.
- Locate the stop screw in the hardware bag.

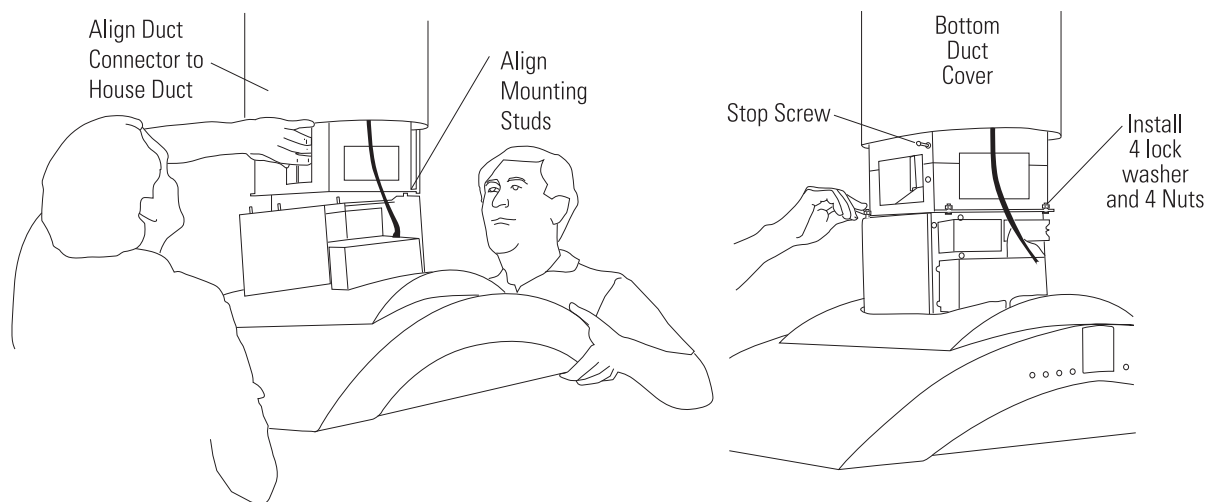
- Install the stop screw into one of the two holes and tighten against the frame to allow the second duct cover to slide up and pass over.
- Slide the lower duct cover over the installed upper duct cover and push up past the stop screw location.
- Back out the stop screw far enough to support the bottom duct cover and prevent it from sliding down onto the top of the hood.

⚠ CAUTION: The stop screw must be installed. Failure to do so could result in personal injury or damage to the duct cover.

Installation Instructions

INSTALLATION – VENTED TO THE OUTSIDE

7 INSTALL HOOD



NOTE: TWO PEOPLE ARE REQUIRED TO COMPLETE THIS INSTALLATION!

- Lift the hood up to the support frame. Carefully align the hood mounting studs into the support frame holes, and at the same time, guide the hood duct connector into the duct.
- Install 4 nuts and lock washers. Tighten with a 10 mm wrench.

- Check hood level in both directions.
- Seal the duct connection with duct tape.

NOTE: Do not drive screws through this duct connection. Doing so will prevent proper damper operation.

8 CONNECT ELECTRICAL

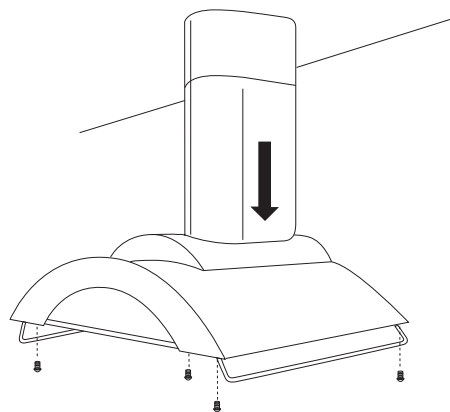
Verify that power is turned off at the source.

⚠ WARNING: If house wiring is not 2-wire with a ground wire, a ground must be provided by the installer. When house wiring is aluminum, be sure to use U.L.-approved antioxidant compound and aluminum-to-copper connectors.

- Install strain relief onto the knockout of the junction box cover.
- Insert house wiring through strain relief and tighten.
- Connect white leads to branch circuit white lead.
- Connect black leads to branch circuit black lead.
- Connect green/yellow leads to branch circuit green or bare ground lead.
- Secure all connections with wire nuts on each electrical connector.
- Push wires into junction box and replace cover. Be sure wires are not pinched.

9 SLIDE DUCT COVER DOWN, INSTALL SIDE UTENSIL RODS

- Slide the lower duct cover up and above the stop screw.
- Drive the stop screw in close to the frame.
- Slide the lower duct cover down against the top of the hood. The duct cover should be seated into the pocket on top of the hood.



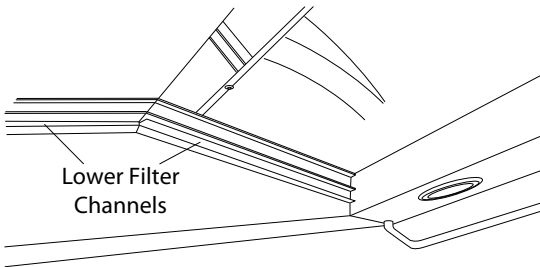
- Install the side utensil rods with screws as shown.

Installation Instructions

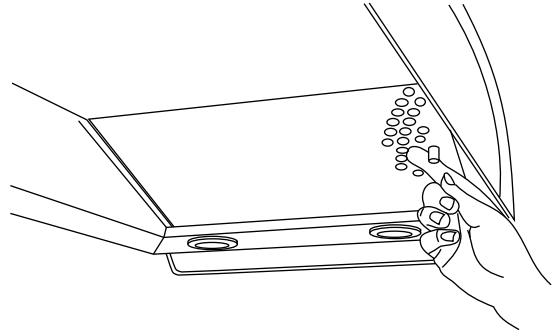
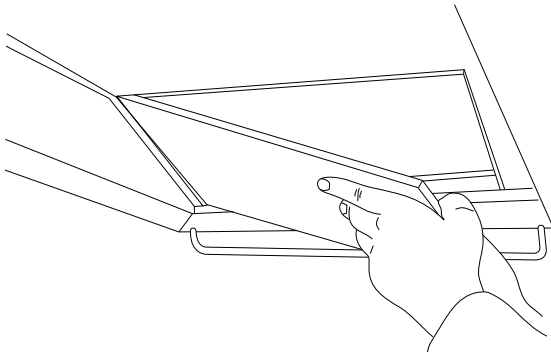
INSTALLATION – VENTED TO THE OUTSIDE

10 INSTALL FILTERS

- Remove protective film on filters.
- Tip the filter into the **lower channel** at the rear of the opening. Push back, lift and pull the knob forward until the filter rests on the channel.



- Install all three metal grease filters.



- Turn power on. If the filter light on the control panel glows, adjust the right-side filter in the channel to engage the switch arm.

11 FINALIZE INSTALLATION

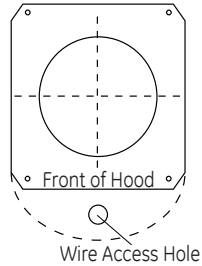
- Remove the protective film covering the control panel on the front face of the hood and any other packaging materials.
- Make sure the filters are seated properly when installed and the filter light is not on.
- Be sure fan and lights operate correctly. Refer to the Owner's Manual for operating instructions and the Problem Solver.

Installation Instructions

INSTALLATION – RECIRCULATING

1 MOUNT TEMPLATE

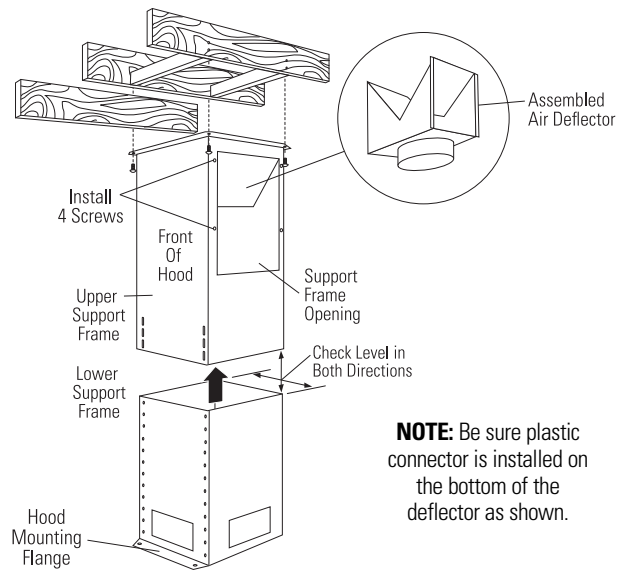
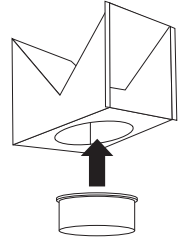
- Align the template with the marks on the ceiling and tape in place.
- Be sure the template is oriented correctly, with the front of the hood.
- Use a plumb to be sure the mounting holes will provide parallel alignment with the countertop below.
- Center punch all hole locations.
- Drill pilot holes in the 4 screw locations. Use a 5/32" bit and drill approximately 1-1/2" deep.
- Cut wire access hole approximately 1" dia.



2 INSTALL AIR DEFLECTOR AND UPPER SUPPORT FRAME

The duct connector is shipped inside the deflector.

- Snap the plastic connector out of the deflector and remove. Turn it over. From the bottom, snap the connector over the opening.
- Slide the assembled deflector into the upper support frame and secure with 4 small screws.
- Secure the upper support frame to the ceiling joists and/or cross framing with the 4 screws provided. For maximum rigidity and strength, the screws must be driven into the center of the joists and/or cross framing.
- Check to be sure the support frame is level, vertically and horizontally.



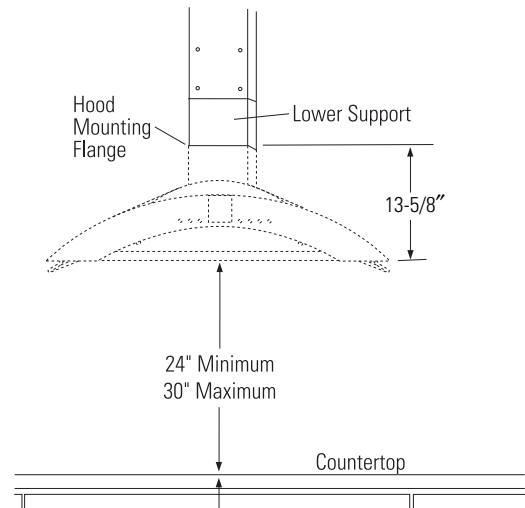
Installation Instructions

INSTALLATION – RECIRCULATING

3 INSTALL LOWER SUPPORT FRAME

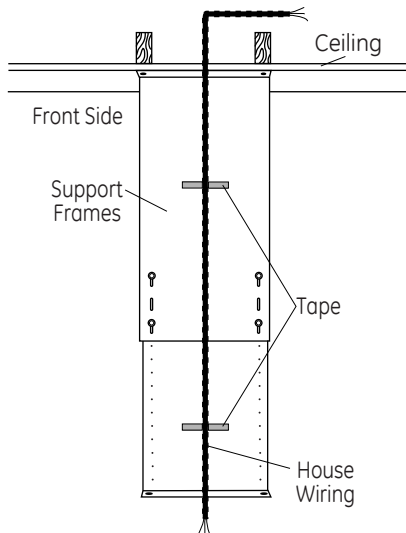
- Insert lower support frame into the upper support frame and loosely secure with 8 screws and washers (4 on the front and 4 on the back sides).
- Adjust the lower support frame up or down to the desired height above the countertop. Tighten screws.

IMPORTANT: Again, check to be sure the support is level in both directions. There is no way to level the hood after the hood is secured to the frame.



4 SECURE WIRING

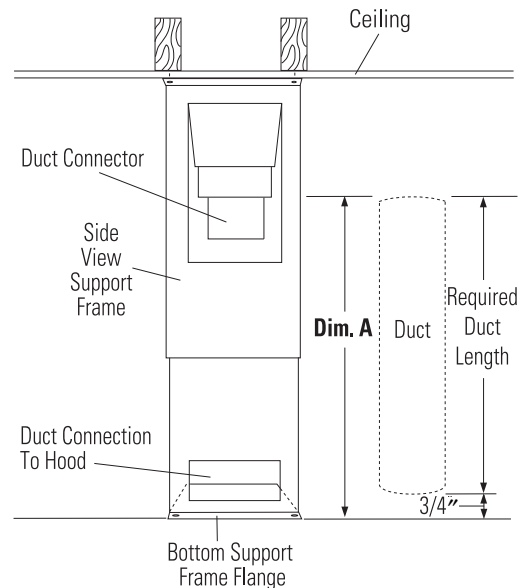
- Route house wiring through the ceiling hole and pull a length to reach the hood junction box.



- Tape the wire to the front of the frame support to prevent damage during installation and service.

5 SIZE AND INSTALL DUCTWORK

- Measure from top duct connector (Dim. A) to bottom of support frame.
- Subtract 3/4" for hood insertion into the bottom of the frame.
- Cut the 6" dia. duct to the required length.



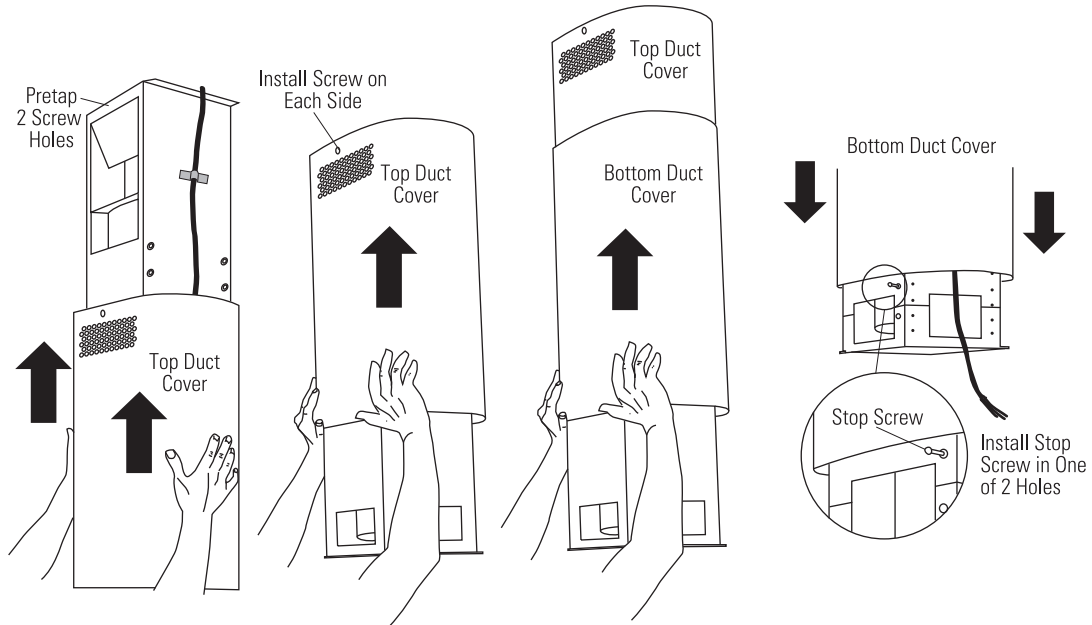
NOTE: The bottom end of the duct must be flared slightly, to facilitate installation of the hood.

- Install duct up through support frames onto the duct connector. Push duct up until it is 3/4" from the bottom of the support frame flange. See illustration.
- Seal duct connection with duct tape, making sure the connection is secured in place.

Installation Instructions

INSTALLATION – RECIRCULATING

6 INSTALL DECORATIVE DUCT COVERS



- Pretap or drive decorative screw into the screw holes on the support frame. This will make screw installation easier.
- Separate the two decorative duct covers.
- Select the inside or top cover with the vent hole pattern on one end.

For this recirculating installation, the hole pattern should be located at the top.

- Locate the 2 supplied duct cover screws.
- Slide the decorative duct cover over the support frame and push to the ceiling.
- Attach the inside duct cover to the hood support at the top with 2 supplied duct cover screws.
- Locate the stop screw in the hardware bag.

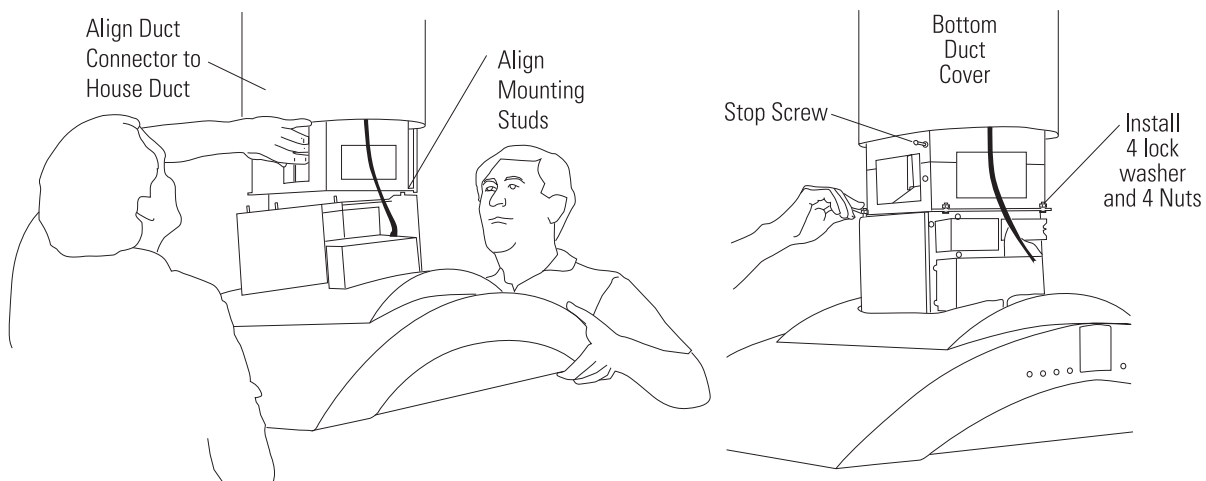
- Install the stop screw into one of the two holes and tighten against the frame to allow the second duct cover to slide up and pass over.
- Slide the lower duct cover over the installed upper duct cover and push up past the stop screw location.
- Back out the stop screw far enough to support the bottom duct cover and prevent it from sliding down onto the top of the hood.

⚠ CAUTION: The stop screw must be installed. Failure to do so could result in personal injury or damage to the duct cover.

Installation Instructions

INSTALLATION – RECIRCULATING

7 INSTALL HOOD



NOTE: Before installing the hood, the metal damper flaps on top of the hood exhaust outlet may be removed. Do not remove the duct transition. The damper is not required for this recirculating operation.

NOTE: TWO PEOPLE ARE REQUIRED TO COMPLETE THIS INSTALLATION!

- Lift the hood up to the support frame. Carefully align the hood mounting studs into the support frame holes, and at the same time, guide the hood duct connector into the duct.

- Install 4 nuts and lock washers. Tighten with a 10 mm wrench.
- Check hood level in both directions.
- Seal the duct connection with duct tape.

NOTE: Do not drive screws through this duct connection. Doing so will prevent proper damper operation (if present).

8 CONNECT ELECTRICAL

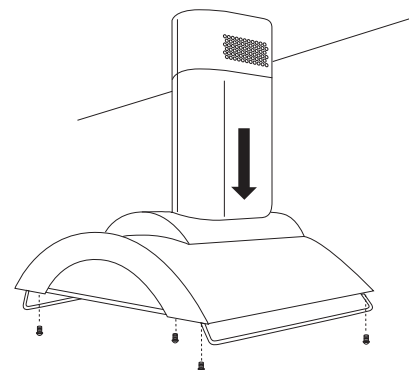
Verify that power is turned off at the source.

⚠ WARNING: If house wiring is not 2-wire with a ground wire, a ground must be provided by the installer. When house wiring is aluminum, be sure to use U.L.-approved antioxidant compound and aluminum-to-copper connectors.

- Install strain relief onto the knockout of the junction box cover.
- Insert house wiring through strain relief and tighten.
- Connect white leads to branch circuit white lead.
- Connect black leads to branch circuit black lead.
- Connect green/yellow leads to branch circuit green or bare ground lead.
- Secure all connections with wire nuts on each electrical connector.
- Push wires into junction box and replace cover. Be sure wires are not pinched.

9 SLIDE DUCT COVER DOWN, INSTALL SIDE UTENSIL RODS

- Slide the lower duct cover up and above the stop screw.
- Drive the stop screw in close to the frame.
- Slide the lower duct cover down against the top of the hood. The duct cover should be seated into the pocket on top of the hood.



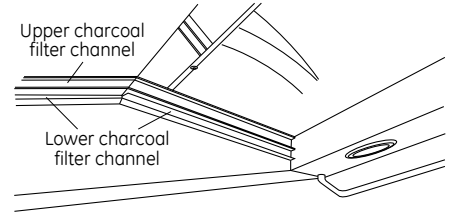
- Install the side utensil rods with screws as shown.

Installation Instructions

INSTALLATION – RECIRCULATING

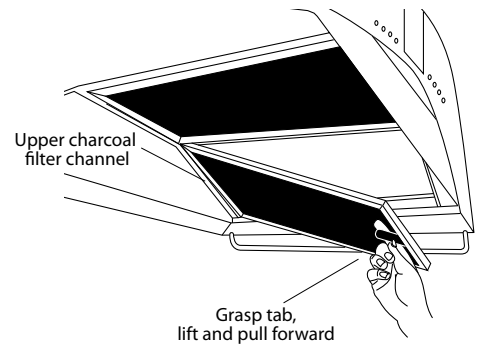
10 INSTALL FILTERS

- There are two channels inside the back and front of the hood. These channels will hold the charcoal filters and stainless steel grease filters in place.



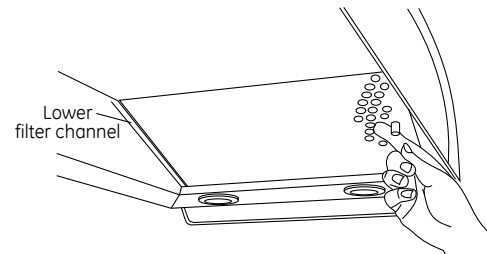
Install charcoal filters

- Remove protective film on the charcoal filters.
- Tip charcoal filters into the **upper (top) channels** at the rear of the opening. Grasp the filter tab, lift and pull forward until it rests in the front upper channel.
- Install all 3 charcoal filters.



Install grease filters

- Remove protective film from grease filters.
- Tip the grease filter into the lower channel at the rear of the opening. Push back, lift and pull the knob forward until the filter rests on the channel.
- Install all 3 grease filters.
- Turn power on. If the filter light on the control panel glows, adjust the right-side filter in the channel to engage the switch arm.



11 FINALIZE INSTALLATION

- Remove protective film covering the control panel on the front face of the hood and any remaining packaging materials.
- Make sure the filters are seated properly when installed and the filter light is not on.
- Be sure fan and lights operate correctly. Refer to the Owner's Manual for operating instructions and the Problem Solver.

Consignes de Sécurité

LISEZ ET CONSERVEZ CES INSTRUCTIONS

AVANT DE COMMENCER

Lisez ces instructions entièrement et attentivement.

- **IMPORTANT** – Conservez ces instructions pour l'inspecteur électrique local.
- **IMPORTANT** – Respectez tous les codes et règlements en vigueur.
- **Remarque pour l'installateur** – Assurez-vous de remettre ces instructions à l'utilisateur.
- **Remarque pour l'utilisateur** – Conservez ces instructions avec votre notice d'utilisation pour toute référence future.
- **Niveau de compétence** – L'installation de cet appareil demande des connaissances de base en mécanique et en électricité.
- **Délai d'exécution** – 1 à 3 heures.
- L'installateur est responsable de l'installation correcte de l'appareil. La panne de l'appareil due à une mauvaise installation n'est pas couverte par la garantie.

Pour les services locaux Monogram dans votre secteur, appelez le 1.800.444.1845.

Pour les services Monogram au Canada, appelez le 1.800.561.3344.

Pour les Pièces et Accessoires Monogram, appelez 1.800.626.2002.

▲ MISE EN GARDE :

A cause de la taille et du poids de ces hottes d'extraction ainsi que pour réduire le risque de blessure corporelle ou de dommage au produit, **DEUX PERSONNES SONT REQUISES POUR UNE INSTALLATION CORRECTE.**

▲ AVERTISSEMENT :

Pour réduire le risque d'incendie ou de choc électrique, n'utilisez pas cette hotte avec un dispositif de contrôle de la vitesse à semi-conducteurs. Toute altération du câblage électrique d'origine peut endommager l'appareil et/ou créer un risque électrique.

POUR RÉDUIRE LE RISQUE D'INCENDIE, N'UTILISEZ QUE DES CONDUITS MÉTALLIQUES.

▲ AVERTISSEMENT : POUR RÉDUIRE LE RISQUE D'INCENDIE, DE CHOC ÉLECTRIQUE OU DE BLESSURE CORPORELLE, SUIVEZ LES INSTRUCTIONS SUIVANTES :

- A. Cet appareil doit uniquement être utilisé aux fins prévues par le fabricant. Si vous avez des questions, contactez le fabricant.

- B. Avant de réparer ou de nettoyer un appareil, coupez l'alimentation électrique au niveau du tableau de distribution et verrouillez le disjoncteur pour éviter que l'alimentation électrique ne soit accidentellement rétablie. Quand il n'est pas possible de verrouiller le disjoncteur, attachez un moyen d'avertissement, une étiquette par exemple, au panneau de distribution.

▲ MISE EN GARDE : UNIQUEMENT POUR UNE ÉVACUATION DE TYPE GÉNÉRAL. N'UTILISEZ PAS CET APPAREIL POUR ÉVACUER DES SUBSTANCES OU DES VAPEURS NOCIVES OU EXPLOSIVES.

▲ AVERTISSEMENT : POUR RÉDUIRE LE RISQUE D'INCENDIE, DE CHOC ÉLECTRIQUE OU DE BLESSURE CORPORELLE, SUIVEZ LES INSTRUCTIONS SUIVANTES :

- L'installation et le câblage électrique doivent être effectués par une ou plusieurs personnes qualifiées, conformément à tous les codes et toutes les normes applicables, dont ceux concernant la résistance au feu des constructions.
- Une quantité d'air suffisante est nécessaire à une combustion et une évacuation appropriées des gaz par le conduit d'évacuation (cheminée) de l'équipement à combustible pour éviter tout refoulement. Suivez les directives et normes de sécurité du fabricant de l'appareil chauffant, comme celles publiées par la National Fire Protection Association (NFPA), par l'American Society for Heating, Refrigeration and Air Conditioning Engineers (ASHRAE) et par les autorités locales.
- Lorsque vous effectuez des découpes ou que vous percez un mur ou un plafond, n'endommagez pas le câblage électrique ou tout autre réseau d'alimentation caché.
- L'air des ventilateurs disposant de conduits d'aération doit toujours être évacué vers l'extérieur.
- Les codes locaux peuvent varier. L'installation de branchements électriques et la mise à la terre doivent être conformes aux codes en vigueur. Les évacuations doivent être installées conformément à la dernière édition du Code Électrique National ANSI/NFPA No 70-1990.

▲ MISE EN GARDE : Pour réduire le risque d'incendie et évacuer correctement l'air en l'évacuant vers l'extérieur—n'évacuez pas l'air vers un espace entre deux murs ou dans le plafond ou encore dans un grenier, un vide sanitaire ou un garage.

Information de conception

TABLE DES MATIÈRES

Information de conception

Modèles disponibles	23
Dimensions de l'appareil	23

Planification

Planification des conduits	24
Cadre au plafond pour un support adéquat	24

Préparation pour l'installation

Raccords de conduits.....	25
Alimentation électrique	26
Outils et matériels nécessaires	26
Retrait de l'emballage	27
Vérification du matériel d'installation	27
Détermination de la hauteur d'installation	28
Installation de la structure de support au plafond.....	29-31

Instructions d'installation

Installation - Évacuation vers l'extérieur	32-36
Étape 1, Montage du gabarit	32
Étape 2, Installation du cadre de support supérieur.....	32
Étape 3, Installation du cadre de support inférieur.....	32

Étape 4, Fixation du câblage	33
Étape 5, Dimensionnement et installation du conduit	33
Étape 6, Installation du cache conduit décoratif	34
Étape 7, Installation de la hotte	35
Étape 8, Branchement électrique.....	35
Étape 9, Installation du cache conduit et des barres latérales à ustensiles.....	35
Étape 10, Installation des filtres	36
Étape 11, Finalisation de l'installation	36

Instructions d'installation

Installation - Recyclage	37-41
Étape 1, Montage du gabarit	37
Étape 2, Installation du cadre de support supérieur.....	37
Étape 3, Installation du cadre de support inférieur.....	38
Étape 4, Fixation du câblage	38
Étape 5, Dimensionnement et installation du conduit	38
Étape 6, Installation du cache conduit décoratif	39
Étape 7, Installation de la hotte	40
Étape 8, Branchement électrique.....	40
Étape 9, Installation du cache conduit et des barres latérales à ustensiles.....	40
Étape 10, Installation des filtres	41
Étape 11, Finalisation de l'installation	41

MODÈLES DISPONIBLES

Modèle ZV850, 360 CFM
Modèle ZV855, 500 CFM

Ces hottes peuvent être installées de manière à évacuer l'air à l'extérieur ou à le recycler. Toutes les pièces requises pour que la hotte puisse recycler l'air sont fournies. Aucun ensemble n'est nécessaire.

- Ces hottes peuvent être installées au-dessus de n'importe quelle table ou surface de cuisson électrique ou à gaz Monogram de 76,2 cm (30 po) ou de 91,4 cm (36 po), sauf

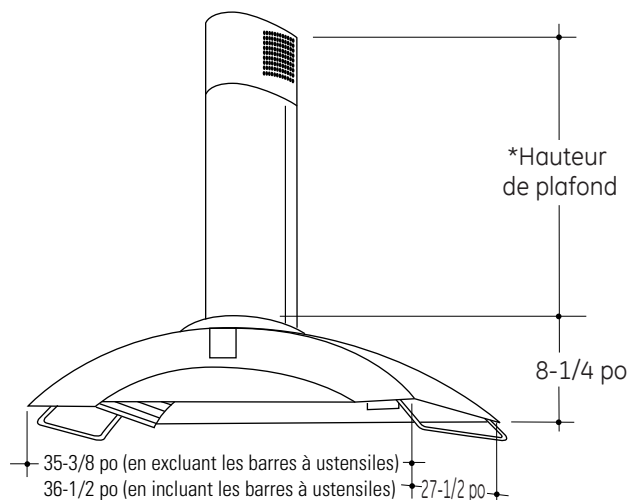
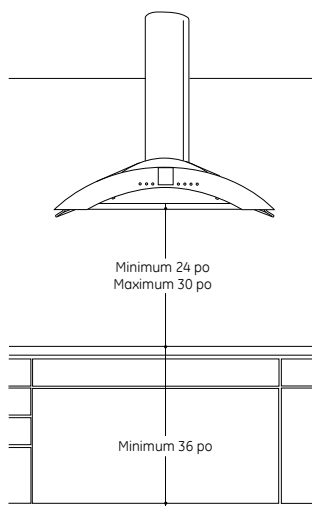
les cuisinières ou les tables de cuisson professionnelles Monogram dont la largeur est supérieure à 76,2 cm (30 po).

- Les caches de conduits réversibles peuvent s'adapter à une installation en recyclage.
- Les caches de conduits télescopiques dissimulent le conduit entre le haut de la hotte et le plafond.
- Le cache conduit fourni est dimensionné de façon à atteindre des hauteurs de plafond supérieures à 8 pieds. Consultez le tableau en page 28.

DIMENSIONS ET DÉGAGEMENTS DE L'APPAREIL

La hotte aspirante doit être installée à une hauteur minimale de 24 po et de 30 po au-dessus de la surface de cuisson.

NOTE : La hauteur d'installation de la hotte doit être mesurée de la surface de cuisson à la partie la plus basse de la hotte.



ZX8510SPSS Accessoire cache conduit

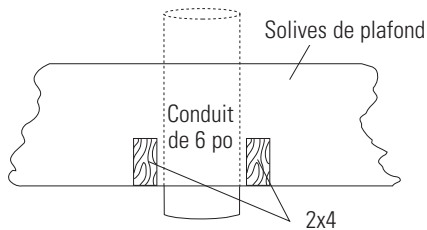
Cet accessoire est disponible pour les installations sous des plafonds d'une hauteur de 8 pi 7 po à 10 pi et plus. Consultez le tableau en page 28.

Le cache conduit doit être disponible sur le site au moment de l'installation de la hotte.

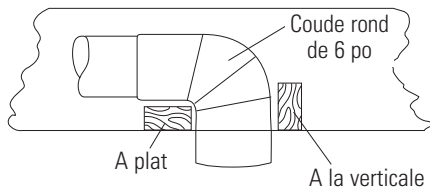
Planification

PLANIFICATION DES CONDUITS

- Cette hotte est conçue pour une évacuation verticale au travers du plafond. Utilisez des coudes fournis localement pour une évacuation horizontale au travers du mur arrière.
- Déterminez l'emplacement exact de la hotte d'extraction.
- Planifiez le cheminement des conduits de ventilation vers l'extérieur.
- Utilisez les cheminements de conduit les plus droits et les plus courts possibles. Pour une performance satisfaisante, la longueur du conduit ne doit pas dépasser un équivalent de 100 pieds quelque que soit la configuration du conduit.
- Référez-vous au tableau "Raccords de conduit" pour calculer la longueur maximale admise du conduit vers l'extérieur.
- Utilisez seulement des conduits métalliques rigides.



Au travers du plafond



- Un conduit de section circulaire de 6 po de diamètre est nécessaire pour cette hotte. Le conduit de 6 po peut passer à un conduit de 3-1/4 po x 10 po ou 3-1/4 po x 12 po.
- Installez le conduit de la maison de façon à ce qu'il passe horizontalement entre les solives du plafond ou directement à travers le toit.
- Installez des événements muraux ou de toiture avec un registre sur l'ouverture vers l'extérieur. Commandez à l'avance les événements muraux ou de toiture, toute la longueur et les transitions de conduit.

⚠ AVERTISSEMENT : POUR RÉDUIRE LE RISQUE D'INCENDIE, N'UTILISEZ QUE DES CONDUITS MÉTALLIQUES RIGIDES.

CADRES AU PLAFOND POUR UN SUPPORT ADEQUAT

- Ces hottes peuvent être lourdes. Une structure de support adéquate est requise. La structure au plafond doit être capable de soutenir le poids de la hotte ainsi que toute charge due à un contact par inadvertance par un utilisateur. Le cadre de support de la hotte sera soutenu par le cadre perpendiculaire minimum 2 x 4.
- L'installation sera facilitée si la hotte d'extraction est installée avant la surface de cuisson et le plan de travail.

Accessoire cache conduit

Suivant la hauteur de plafond, un accessoire cache conduit peut être nécessaire.

Préparation pour l'installation

RACCORDS DE CONDUITS

Un conduit de section circulaire de 6 po de diamètre est nécessaire pour cette hotte. Ce conduit peut passer à un conduit de 3-1/4 po x 10 po ou 3-1/4 po x 12 po.

Utilisez ce tableau pour calculer les longueurs maximales permises des conduits vers l'extérieur.

NOTE : Ne dépassez pas la longueur équivalente autorisée !


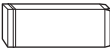


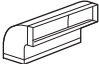
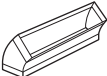


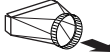
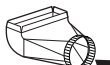
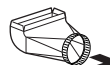

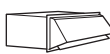

Longueur maximale de conduit : 30 m (100 pieds) pour des hottes de cuisinières.

Conduit flexible :

Si vous utilisez des conduits métalliques flexibles, toutes les valeurs en pieds équivalents de ce tableau doivent être multipliées par deux. Le conduit métallique flexible doit être droit, lisse et aussi étiré que possible.

N'UTILISEZ PAS de conduit en plastique flexible.

NOTE : Tout système de ventilation domestique, tel qu'une hotte d'extraction, est susceptible d'interférer avec le débit d'air de combustion et d'évacuation requis pour des foyers de cheminée, des brûleurs à gaz, des chauffe-eau à gaz et de tout autre système à ventilation naturelle. Afin de minimiser les risques d'interruption de tels systèmes à ventilation naturelle, veuillez suivre les directives du fabricant de l'équipement de chauffage ainsi que les normes de sécurité publiées par la NFPA et l'ASHRAE.

Section de conduit	Dimensions	Longueur équivalente*	Quantité utilisée	Longueur équivalente totale
	Rond, droit	1 pied (par longueur en pied)		
	Droit de 3-1/4 po x 10 po	1 pied (par longueur en pied)		
	Coude de 90°	12 pieds		
	Coude de 45°	7 pieds		
	3-1/4 po x 10 po 3-1/4 po x 12 po Coude 90°	14 pieds 10 pieds		
	3-1/4 po x 10 po 3-1/4 po x 12 po Coude 45°	8 pieds 6 pieds		
	3-1/4 po x 10 po 3-1/4 po x 12 po Coude plat 90°	33 pieds 24 pieds		
	Rond de 6 po pour raccord rectangulaire	2 pieds		
	Rectangulaire pour raccord rond de 8 po	2 pieds		
	3-1/4 po x 10 po 3-1/4 po x 12 po Rond 6 po pour raccord en coude 90° rectangulaire	4 pieds 4 pieds		
	3-1/4 po x 10 po 3-1/4 po x 12 po Rectangulaire pour raccord rond 6 po en coude 90°	4 pieds 4 pieds		
	Évent mural rond avec registre	24 pieds		
	3-1/4 po x 10 po 3-1/4 po x 12 po Évent mural rectangulaire avec registre	24 pieds 18 pieds		
	Évent de toiture rond	33 pieds		

*Équivalent à la longueur réelle du conduit droit et du raccord. Les longueurs équivalentes des sections de conduit sont basées sur des essais réels effectués par GE Evaluation Engineering et représentent les longueurs nécessaires à une bonne ventilation pour tout type de hotte de ventilation. Longueur totale de conduit _____

Préparation pour l'installation

ALIMENTATION ÉLECTRIQUE

IMPORTANT – (A lire attentivement)

⚠️ AVERTISSEMENT :

POUR DES RAISONS DE SÉCURITÉ, CET APPAREIL DOIT ÊTRE CORRECTEMENT MIS À LA TERRE.

Retirez le fusible du domicile ou ouvrez le disjoncteur avant de commencer l'installation.

Les rallonges et les adaptateurs ne doivent pas être utilisés avec cet appareil. Veuillez suivre les codes électriques nationaux ou les codes et règlements locaux.

Alimentation électrique

Cette hotte d'extraction doit être alimentée par du 120V, 60Hz, et branchée à un circuit de dérivation correctement mis à la terre et protégé par un disjoncteur de 15 ou 20 A ou par un fusible à action différée.

- Le câblage électrique doit être constitué de 2 brins et d'une terre.
- Si l'alimentation électrique n'est pas conforme à ces exigences, appelez un électricien qualifié avant de commencer.
- Faites passer les fils électriques domestiques le plus près possible de l'installation. Faites passer toute longueur supplémentaire par les solives du plafond pour atteindre la boîte de jonction.
- Raccordez le câblage de la hotte au câblage du domicile conformément aux codes locaux.

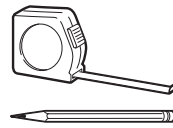
Instructions de mise à la terre

Le fil de mise à la terre doit être connecté à une partie métallique mise à la terre, à une borne de terre ou à un fil de sortie de la hotte.

⚠️ AVERTISSEMENT : Une connexion incorrecte de ce fil de terre pourrait provoquer un risque de choc électrique. Vérifiez auprès d'un électricien qualifié ou d'un représentant si vous n'êtes pas sûr que votre appareil soit correctement mis à la terre.

OUTILS ET MATÉRIELS NÉCESSAIRES

(NON FOURNI)



Crayon et mètre



Lunettes de sécurité



Gants



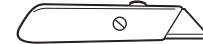
Niveau à bulle



Marteau



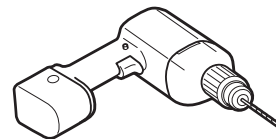
Tournevis Phillips



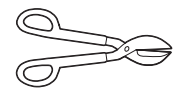
Couteau à lame rétractable



Torche



Perceuse électrique avec un foret de 5/32 po, un Phillips n°2 et une douille de 7/16 po



Cisaille à métaux



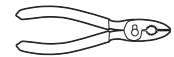
Clé de 10 mm



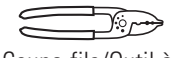
Escabeau



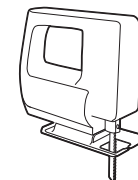
Ruban-cache



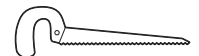
Pincettes



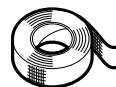
Coupe-fils/Outil à dénuder les fils



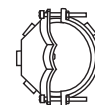
Scie sauteuse ou scie à guichet



Serre-fils homologués UL



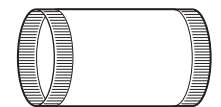
Ruban aluminisé



Réducteur de tension pour la boîte de jonction



Fil à plomb



Conduit métallique rond de 6 po, longueur conforme aux besoins de l'installation



Circuit électrique correctement branché à la terre avec fil électrique 120V 60Hz, 15- ou 20-AMP, à 2 brins et une terre

Préparation pour l'installation

RETRAIT DE L'EMBALLAGE

▲ MISE EN GARDE : Portez des gants pour vous protéger les mains des bords coupants.

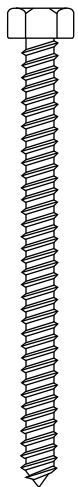
La hotte aspirante est emballée avec le cache conduit et les cadres de support.

- Retirez la hotte, les pièces et l'emballage.
- Retirez le couvercle de la boîte de jonction.
- Installez un réducteur de tension sur la boîte de jonction (non fourni).

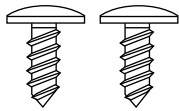
NOTE : Des outils, des matériaux et du matériel supplémentaires sont nécessaires pour construire le support au plafond.

Vérification du matériel d'installation

Localisez le paquet contenant le matériel d'installation emballé avec la hotte et vérifiez le contenu.



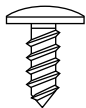
4 vis à bois à tête hexagonale
(6 mm x 2-1/2 po
ou 1/4 x 2-1/2 po)



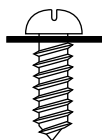
2 vis à tête Phillips pour cache conduit



4 rondelles plates



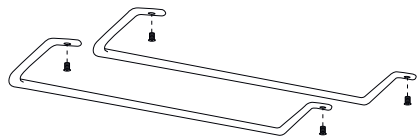
2 vis d'arrêt (Une se trouve dans l'enveloppe de la notice d'entretien. Laissez la vis dans l'enveloppe.)



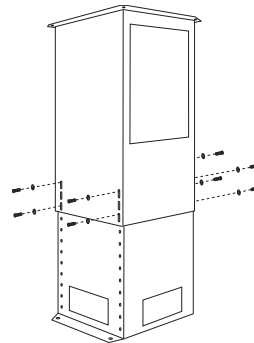
8 vis de fixation pour le cadre + rondelles (fixées aux cadres de support accessoires)



4 écrous et 4 rondelles freins de 10 mm

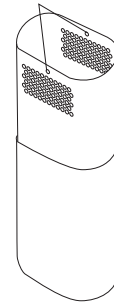


2 barres à ustensiles avec 4 vis de mécanique

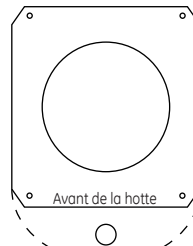


Cadres de support avec 8 vis et 8 rondelles

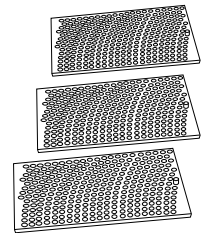
Trous pour vis de fixation



Caches conduits décoratifs

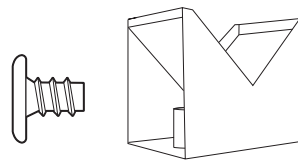


Gabarit

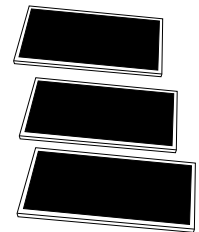


3 filtres à graisse en acier inoxydable

Pièces supplémentaires pour un fonctionnement en recyclage



Défecteur à air avec connecteur pour le conduit supérieur et 4 petites vis à tête plate

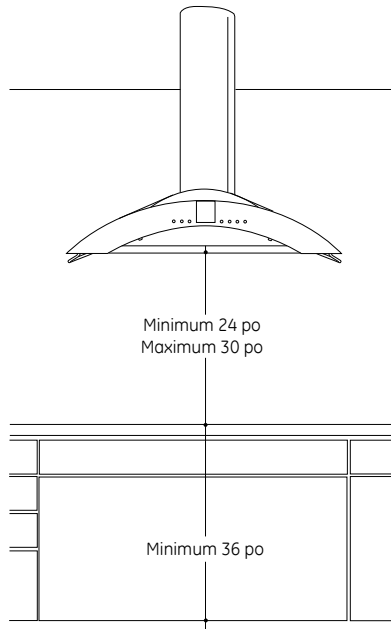


3 filtres à charbon

Préparation pour l'installation

DÉTERMINATION DE LA HAUTEUR D'INSTALLATION

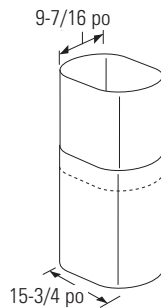
- Les caches conduit télescopiques sont fournis pour dissimuler le conduit allant jusqu'au plafond.
- Cette hotte est installée pour une évacuation vers l'extérieur ou un recyclage. Toutes les pièces nécessaires sont expédiées avec la hotte.



NOTE : La hauteur d'installation de la hotte doit être mesurée de la surface de cuisson à la partie la plus basse de la hotte.

La hotte aspirante doit être installée à une hauteur minimale de 24 po et maximale de 30 po au-dessus de la surface de cuisson. La hauteur d'installation de la hotte, de la surface de cuisson au bas de la hotte dépend de la hauteur de plafond et des limites du cache conduit.

DIMENSIONS DU CACHE CONDUIT



ZX8510SPSS Accessoire cache conduit

Cet accessoire est disponible pour les installations sous des plafonds d'une hauteur de 8 pi 7 po à 10 pi et plus. Cet accessoire comprend deux caches conduit de 26-1/4 po et un cadre de support supérieur de 31 po.

ZV850/ZV855 Hauteurs d'Installation			Cadre inférieur 20,75 po Cadre supérieur 20,75 po	Conduit inférieur 18 po Conduit supérieur 18 po	Cadre supérieur 31 po + Cadre inférieur fourni	Conduit inférieur 26,25 po Conduit supérieur 26,25 po
Hauteur de plafond	Hauteur d'installation VENTILÉE possible*	Hauteur d'installation RECYCLAGE possible*	CADRE FOURNI	CACHES CONDUIT FOURNI	ZX8510SPSS - ACCESSOIRE CADRE SUPÉRIEUR	ZX8510SPSS - ACCESSOIRE CACHE CONDUIT
7 pi 11 po	24 po	24 po				
8 pi	24 po à 25 po	24 po à 25 po				
8 pi 1 po	24 po à 26 po	24 po à 26 po				
8 pi 2 po	25 po à 27 po	24 po à 27 po				
8 pi 3 po	26 po à 28 po	24 po à 28 po				
8 pi 4 po	27 po à 29 po	24 po à 29 po				
8 pi 5 po	28 po à 30 po	24 po à 30 po				
8 pi 6 po	29 po à 30 po	25 po à 30 po				
8 pi 7 po	30 po	26 po à 30 po				
8 pi 8 po		27 po à 30 po				
8 pi 9 po		28 po à 30 po				
8 pi 10 po		29 po à 30 po				
8 pi 11 po		30 po				
8 pi 7 po	24 po	24 po				
8 pi 8 po	24 po à 25 po	24 po à 25 po				
8 pi 9 po	24 po à 26 po	24 po à 26 po				
8 pi 10 po	24 po à 27 po	24 po à 27 po				
8 pi 11 po	24 po à 28 po	24 po à 28 po				
9 pi	24 po à 29 po	24 po à 29 po				
9 pi 1 po	24 po à 30 po	24 po à 30 po				
9 pi 2 po	24 po à 30 po	24 po à 30 po				
9 pi 3 po	24 po à 30 po	24 po à 30 po				
9 pi 4 po	24 po à 30 po	24 po à 30 po				
9 pi 5 po	24 po à 30 po	24 po à 30 po				
9 pi 6 po	24 po à 30 po	24 po à 30 po				
9 pi 7 po	24 po à 30 po	24 po à 30 po				
9 pi 8 po	25 po à 30 po	24 po à 30 po				
9 pi 9 po	26 po à 30 po	24 po à 30 po				
9 pi 10 po	27 po à 30 po	24 po à 30 po				
9 pi 11 po	28 po à 30 po	25 po à 30 po				
10 pi	29 po à 30 po	26 po à 30 po				
10 pi 1 po	30 po	27 po à 30 po				
10 pi 2 po		28 po à 30 po				
10 pi 3 po		29 po à 30 po				
10 pi 4 po		30 po				

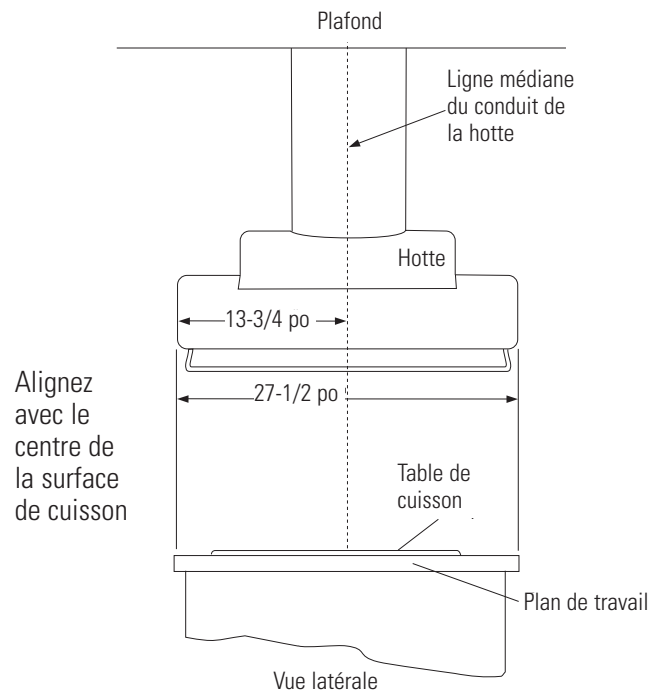
*Basé sur une hauteur de plan de travail de 36 po.

Préparation pour l'installation

CONSTRUCTION DU SUPPORT DE PLAFOND

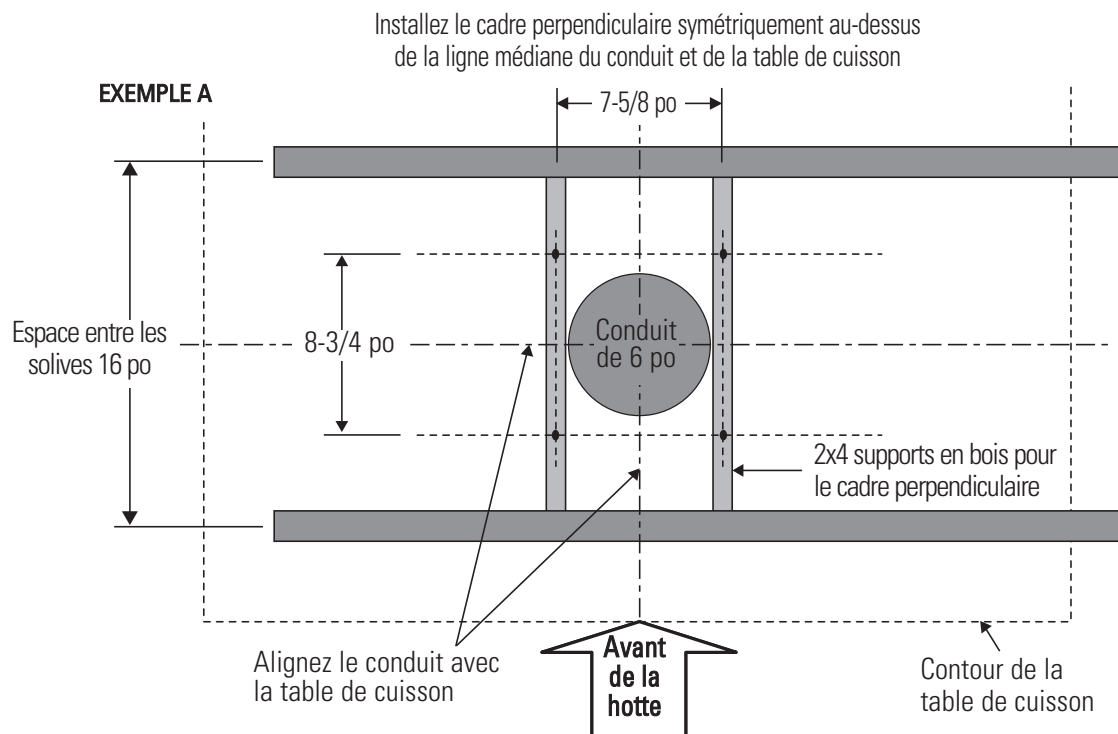
Prévoyez l'emplacement de la hotte et du conduit

- Utilisez un fil à plomb pour vérifier l'emplacement. Le plan de travail/la table de cuisson sous la hotte doivent être centrés.
- La hotte doit dépasser des bords de la cuisinière à l'avant et à l'arrière.
- Le conduit dans le plafond doit être centré au dessus de la table de cuisson.



Structure de support au plafond

- À l'emplacement de la hotte, installez le cadre perpendiculaire entre les solives du plafond comme indiqué. (2x4 supports en bois pour soutenir le poids de la hotte).
- Installez le cadre perpendiculaire au plafond pour s'adapter à la structure existante.
- Vos solives au plafond seront similaires à un des exemples suivants.

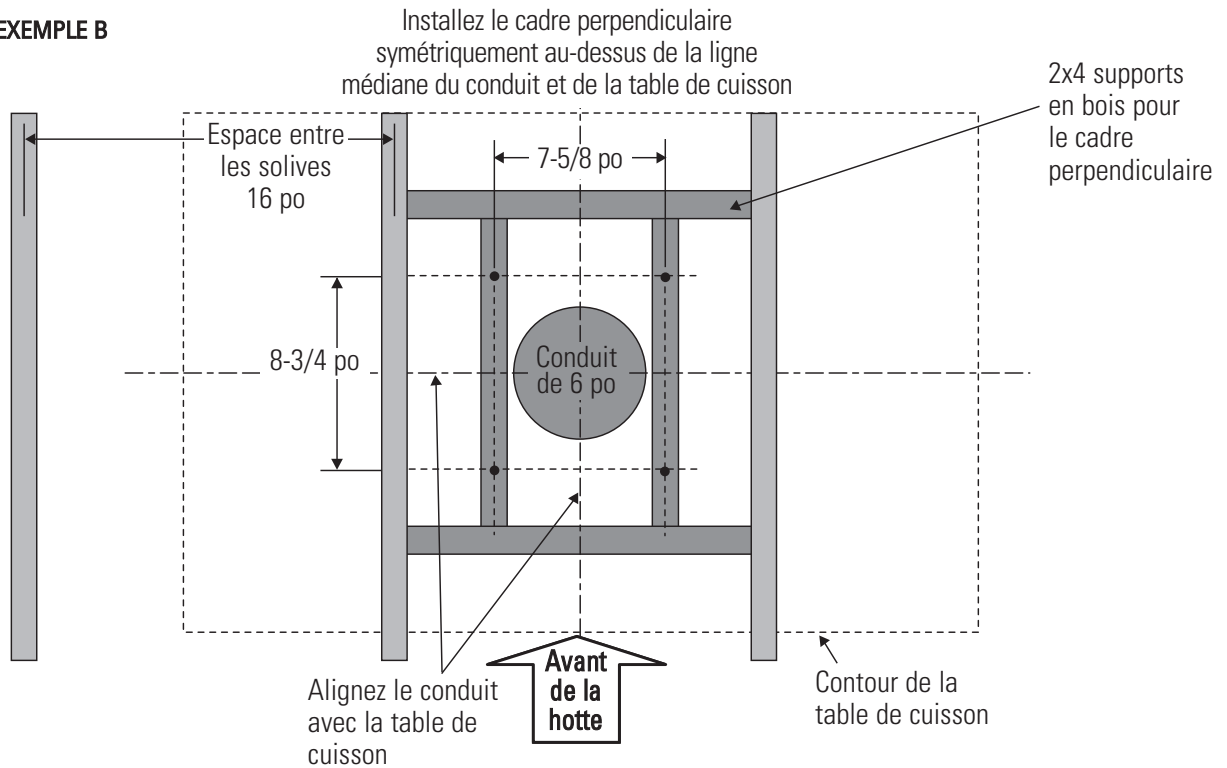


Vue de dessus – les solives du plafond sont parallèles au devant de la hotte

Préparation pour l'installation

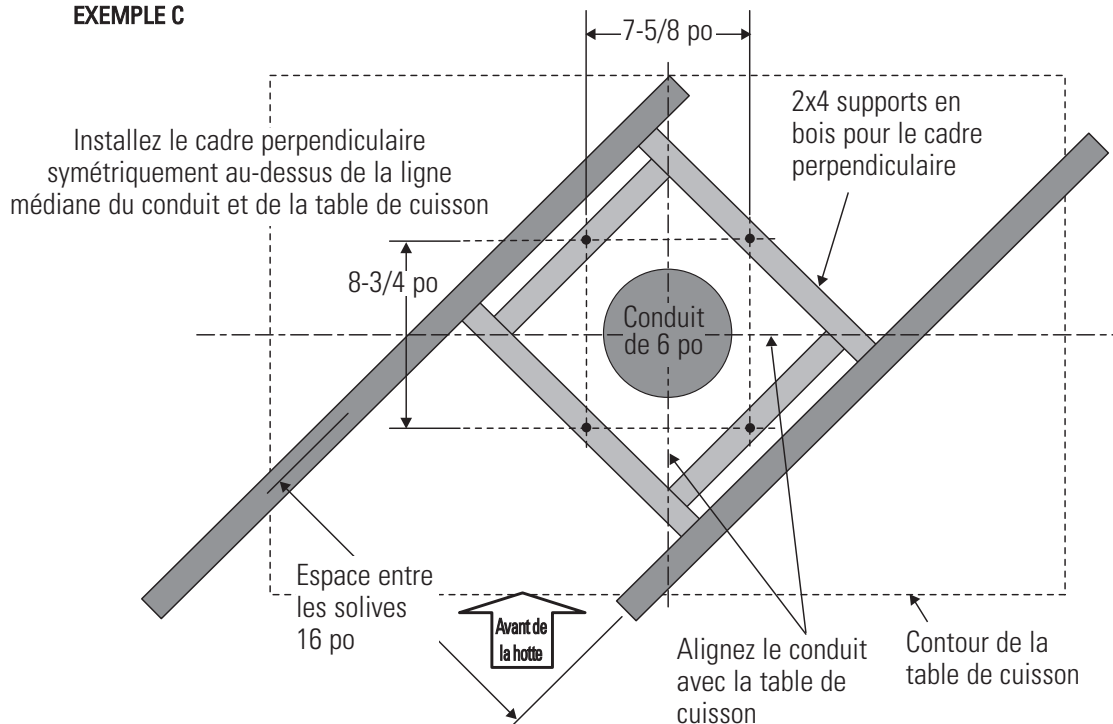
CONSTRUCTION DU SUPPORT AU PLAFOND (Suite)

EXEMPLE B



Vue de dessus – les solives du plafond sont perpendiculaires au devant de la hotte

EXEMPLE C



Vue de dessus – les solives du plafond forment un angle avec le devant de la hotte

Préparation pour l'installation

CONSTRUCTION DU SUPPORT AU PLAFOND (Suite)

- Fixez chaque bloc 2 x 4 avec au moins quatre (4) vis à bois n°10 de 3 po de long (non fournies). Utilisez 8 vis à bois au total pour les deux supports.
- **Le cadre perpendiculaire doit être aligné précisément pour assurer le positionnement correct de la hotte.**
- Le cadre perpendiculaire doit être de niveau dans toutes les directions. Vérifiez à l'aide d'un niveau à bulle et ajustez si nécessaire.

IMPORTANT : La structure au plafond doit être capable de soutenir le poids de la hotte ainsi que toute charge due à un contact par inadvertance avec un utilisateur. La structure de support de la hotte sera soutenue par le cadre perpendiculaire 2 x 4.

Conduit pour les installations à évacuation vers l'extérieur

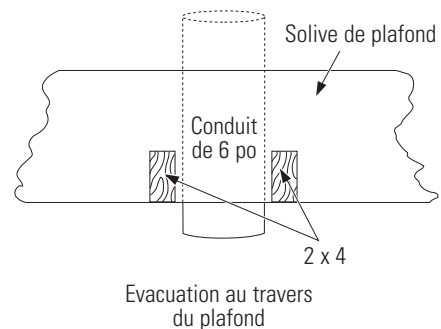
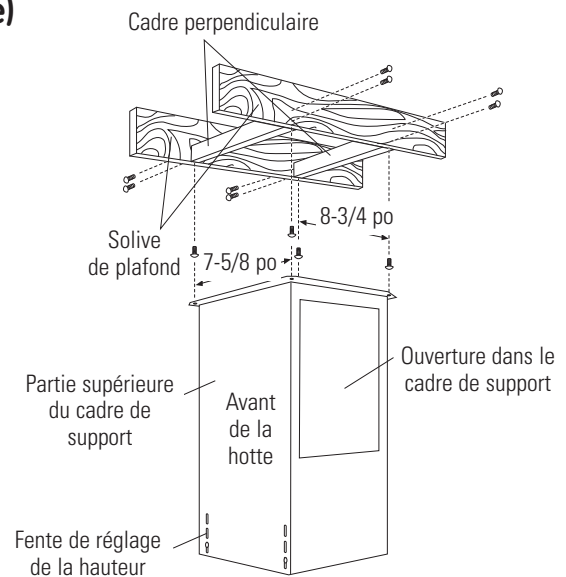
- Utilisez les cheminements de conduit les plus droits et les plus courts possibles. Pour une performance satisfaisante, la longueur du conduit ne doit pas dépasser un équivalent de 100 pieds quelque que soit la configuration du conduit.
- Référez-vous au tableau "Raccords de conduits" pour calculer la longueur maximale admise du conduit vers l'extérieur.
- Un conduit rigide de section circulaire de 6 po de diamètre est nécessaire pour cette hotte.

▲ AVERTISSEMENT : POUR RÉDUIRE LE RISQUE D'INCENDIE, N'UTILISEZ QUE DES CONDUITS MÉTALLIQUES RIGIDES.

- Installez le conduit de la maison de façon à ce qu'il passe horizontalement entre les solives de plafond et du cadre perpendiculaire. Assurez-vous que le plafond est de niveau, utilisez des cales si nécessaire.

Finition du plafond

- Effectuez la finition du plafond. Veillez à marquer l'emplacement des solives de plafond et du cadre perpendiculaire. Assurez-vous que le plafond est de niveau, utilisez des cales si nécessaire.

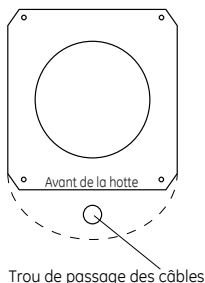


Instructions d'installation

INSTALLATION – ÉVACUATION VERS L'EXTÉRIEUR

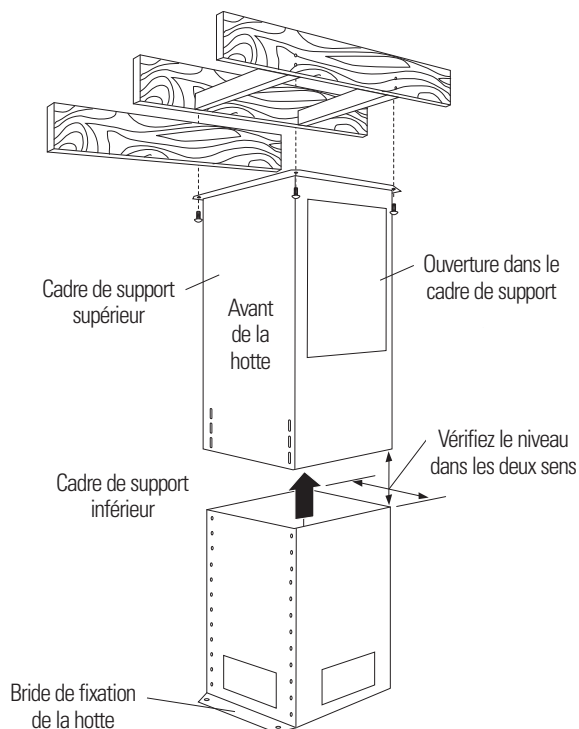
1 MONTAGE DU GABARIT

- Aligned le gabarit avec les marques sur le plafond et utilisez du ruban adhésif pour le maintenir en place.
– Assurez-vous que le gabarit est orienté correctement par rapport à l'avant de la hotte.
- Utilisez un fil à plomb pour que les trous de montage sont correctement alignés avec le plan de travail en-dessous.
- Utilisez un pointeau pour marquer tous les emplacements des trous.
- Percez des trous de guidage dans les 4 emplacements pour les vis. Utilisez un foret de 5/32 po et percez à une profondeur d'environ 1-1/2 po.
- Découpez un trou de passage des câbles d'un diamètre d'environ 1 po.
- Découpez une ouverture de 6-1/2 po dans le plafond pour le conduit.



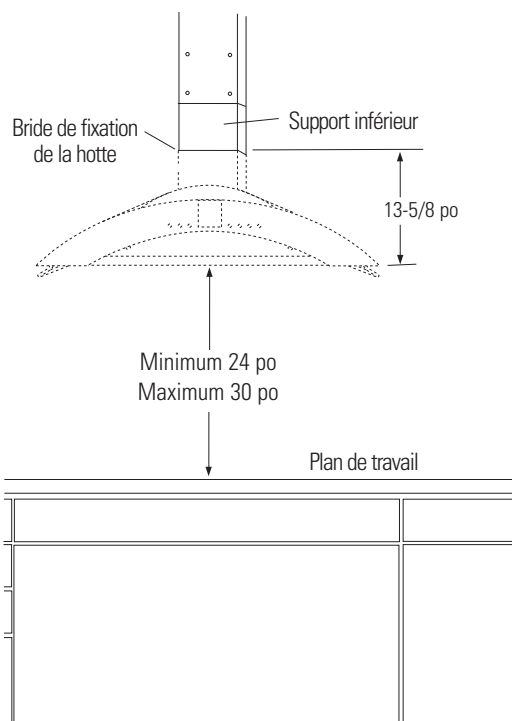
2 INSTALLATION DU CADRE DE SUPPORT SUPÉRIEUR

- Fixez le cadre de support supérieur aux solives du plafond et/ou au cadre perpendiculaire avec les 4 vis fournies. Pour une rigidité et une solidité maximales, les vis doivent être vissées au milieu des solives et/ou du cadre perpendiculaire.
- Vérifiez que le cadre de support est de niveau, verticalement et horizontalement.



3 INSTALLATION DU CADRE DE SUPPORT INFÉRIEUR

- Insérez le cadre de support inférieur dans le cadre de support supérieur et fixez-le avec les 8 vis et rondelles, sans serrer (4 à l'avant et 4 à l'arrière).
- Ajustez le cadre de support inférieur vers le haut ou vers le bas pour obtenir la hauteur désirée au-dessus de la table de cuisson. Serrez les vis.



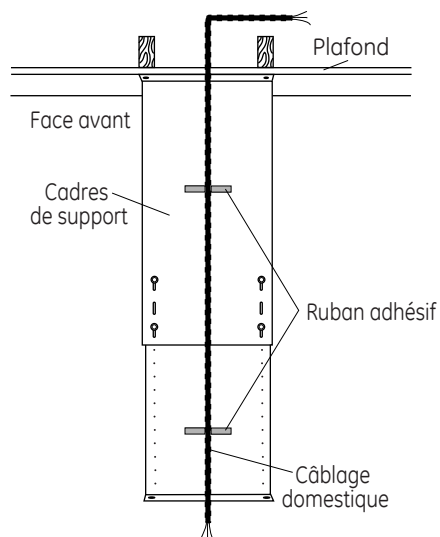
IMPORTANT : Vérifiez de nouveau que le support est de niveau dans les deux directions. Il est impossible de mettre la hotte de niveau une fois que celle-ci a été fixée dans le cadre.

Instructions d'installation

INSTALLATION – ÉVACUATION VERS L'EXTÉRIEUR

4 FIXATION DU CÂBLAGE

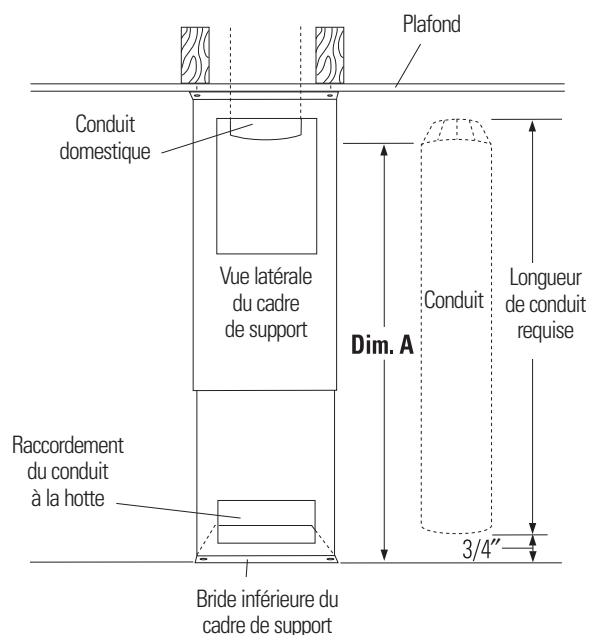
- Faites passer le câblage domestique à travers le trou dans le plafond et tirez jusqu'à atteindre la boîte de jonction de la hotte.



- Attachez le câblage à l'avant du cadre de support à l'aide de ruban adhésif pour éviter tout dommage pendant l'installation et l'entretien.

5 DIMENSIONNEMENT ET INSTALLATION DU CONDUIT

- Mesurez la distance entre le conduit de la maison (Dim. A) et le bas du cadre de support.
- Ajoutez au moins 1 po pour que les conduits se chevauchent en haut.
- Soustraire 3/4 po pour l'insertion de la hotte dans le bas du cadre.
- Découpez le conduit de 6 po de diamètre à la longueur requise.



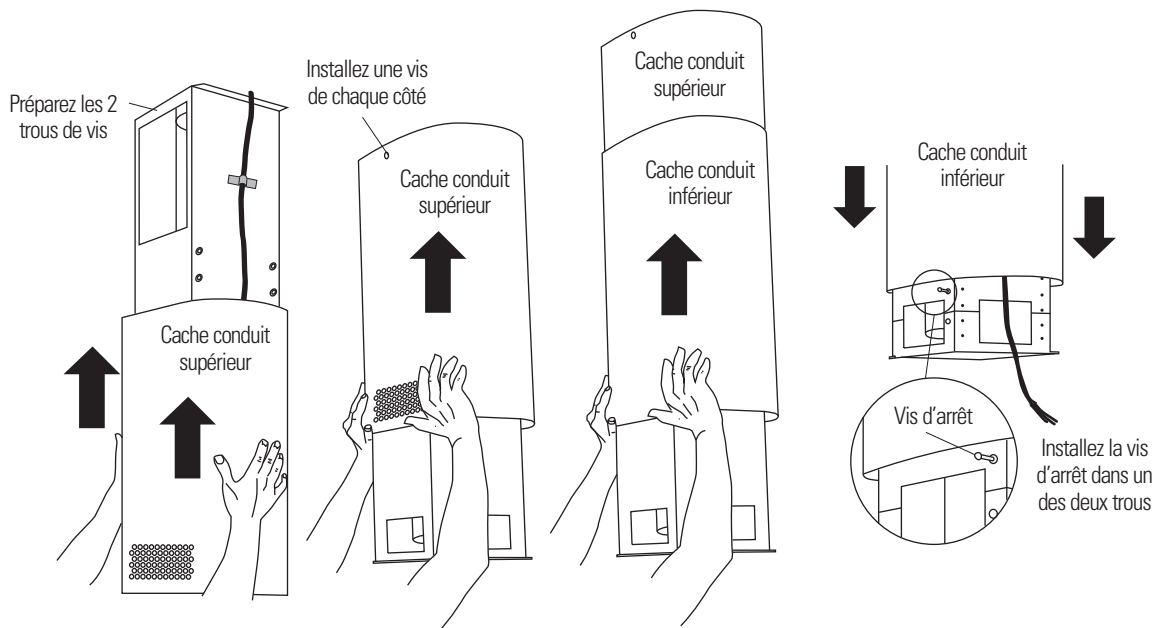
NOTE : La partie inférieure du conduit doit être légèrement évasée pour faciliter l'installation de la hotte.

- Installez le conduit sur le conduit domestique en passant à travers les cadres de support. Poussez le conduit vers le haut jusqu'à ce qu'il soit à 3/4 po du bas de la bride du cadre de support.
- Fixez le conduit au raccord du conduit de la maison avec les vis et étanchéifiez l'installation à l'aide de ruban adhésif renforcé.
- Étanchéifiez le raccord entre les conduits à l'aide de ruban adhésif renforcé, en veillant à ce que le raccord reste bien fixé en place.

Instructions d'installation

INSTALLATION – ÉVACUATION VERS L'EXTÉRIEUR

6 INSTALLATION DES CACHES CONDUIT DÉCORATIFS



- Préimplantez ou installez les vis décoratives dans leurs trous respectifs dans le cadre de support. Ceci facilitera l'installation des vis.
- Séparez les deux caches conduit décoratifs.
- Choisissez le cache intérieur ou supérieur avec les trous de ventilation à une extrémité.

Pour une installation avec évacuation de l'air vers l'extérieur, les trous doivent être placés sur le bas.

- Localisez les 2 vis fournies pour le cache conduit.
- Faites glisser le cache conduit décoratif par-dessus le cadre de support et poussez-le jusqu'au plafond.
- Fixez le cache conduit intérieur au support de la hotte dans la partie supérieure avec les 2 vis fournies pour le cache conduit.

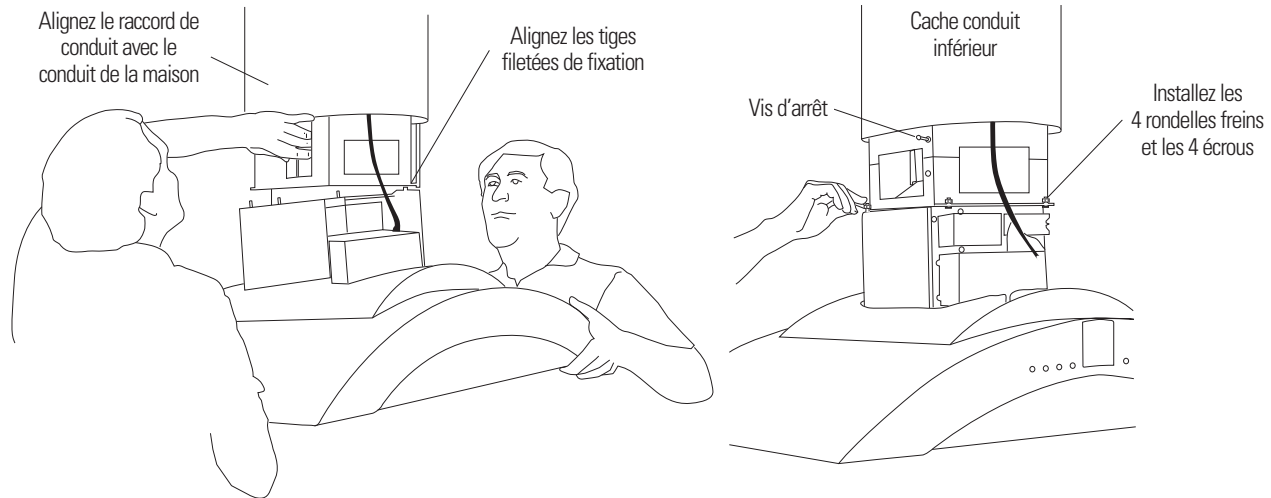
- Localisez la vis d'arrêt dans le sac de quincaillerie.
- Installez la vis d'arrêt dans un des deux trous et serrez la vis contre le cadre pour permettre le passage du deuxième conduit.
- Faites glisser le cache conduit inférieur par-dessus le cache conduit supérieur déjà installé, en dépassant l'emplacement de la vis d'arrêt.
- Faites suffisamment ressortir la vis d'arrêt pour soutenir le cache conduit inférieur et éviter qu'il ne glisse sur le dessus de la hotte.

⚠ MISE EN GARDE : La vis d'arrêt doit être installée. Le non-respect de ces règles peut entraîner des blessures corporelles ou des dommages au cache conduit.

Instructions d'installation

INSTALLATION – ÉVACUATION VERS L'EXTÉRIEUR

7 INSTALLATION DE LA HOTTE



NOTE : LA PRÉSENCE DE DEUX PERSONNES EST NÉCESSAIRE POUR TERMINER CETTE INSTALLATION !

- Soulevez la hotte jusqu'au cadre de support. Alignez soigneusement les tiges filetées de fixation dans les trous du cadre de support, tout en guidant le raccord de conduit dans le conduit.
- Installez les 4 rondelles freins et les écrous. Serrez à l'aide d'une clé de 10 mm.

- Vérifiez le niveau de la hotte dans les deux directions.
- Étanchéifiez le raccord avec du ruban adhésif renforcé.

NOTE : Ne faites pas passer de vis au travers de ce raccord de conduit. Ceci empêcherait le bon fonctionnement du registre.

8 BRANCHEMENT ÉLECTRIQUE

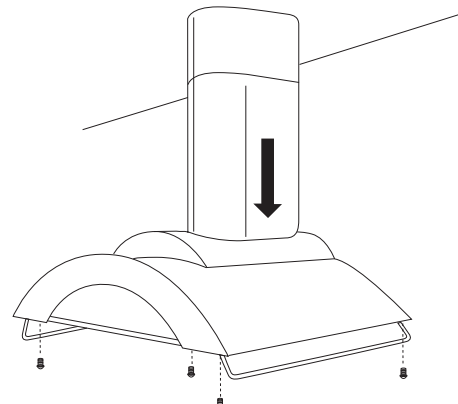
Vérifiez que l'alimentation électrique est coupée à la source.

⚠ AVERTISSEMENT : Si le circuit de la maison n'est pas équipé de 2 brins et d'un fil de terre, l'installateur doit poser un fil de terre. Si les fils sont en aluminium, prenez soin d'utiliser des connecteurs conçus pour le raccordement du cuivre à l'aluminium avec une pâte antioxydante approuvée par l'UL.

- Installez le réducteur de tension dans la débouchure du couvercle de la boîte de jonction.
- Insérez le câblage domestique dans le réducteur de tension et serrez.
- Connectez les câbles blancs au câble blanc du circuit de dérivation.
- Connectez les câbles noirs au câble noir du circuit de dérivation.
- Connectez les câbles vert/jaune au câble vert ou au câble dénudé de terre du circuit de dérivation.
- Fixez toutes les connexions à l'aide de serre-fils sur chaque connecteur électrique.
- Poussez doucement les fils dans la boîte de jonction et remettez le couvercle. Veillez à ne pas pincer les fils.

9 INSTALLATION DU CACHE CONDUIT ET DES BARRES LATÉRALES À USTENSILES

- Faites glisser le cache conduit inférieur vers le haut, au dessus de la vis d'arrêt.
- Vissez la vis d'arrêt près du cadre.
- Faites redescendre le cache conduit de nouveau, jusqu'à ce qu'il soit en contact avec le haut de la hotte. Le cache conduit doit être positionné dans le creux dans le haut de la hotte.



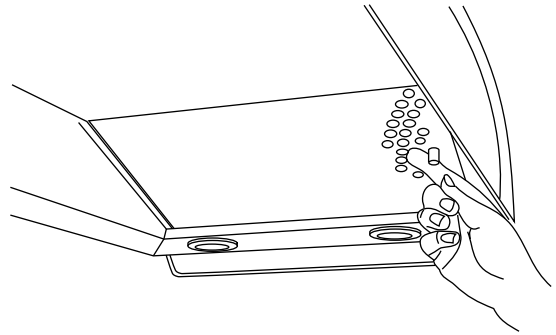
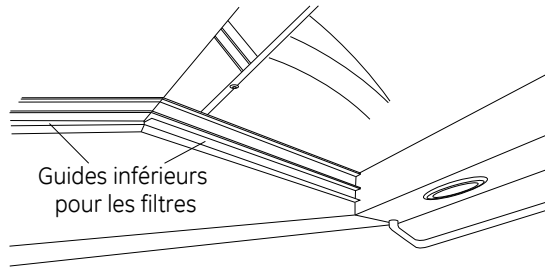
- Installez les barres latérales à ustensiles comme indiqué avec les vis fournies.

Instructions d'installation

INSTALLATION – ÉVACUATION VERS L'EXTÉRIEUR

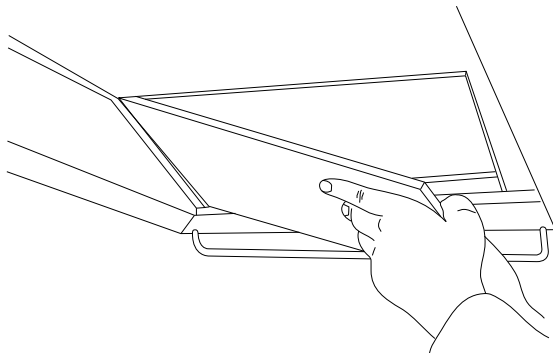
10 INSTALLATION DES FILTRES

- Retirez le film protecteur des filtres.
- Inclinez le filtre à graisse dans le **guide inférieur** à l'arrière de l'ouverture. Poussez-le vers l'arrière, soulevez, puis tirez le bouton vers l'avant jusqu'à ce que le filtre repose sur le guide.



- Allumez la hotte. Si le voyant du filtre sur le tableau de commande est allumé, ajustez le filtre droit dans le guide pour engager le microinterrupteur.

- Installez les trois filtres à graisse métalliques.



11 FINALISATION DE L'INSTALLATION

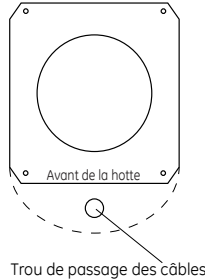
- Retirez le film protecteur recouvrant le tableau de commande sur l'avant de la hotte ainsi que tous les matériaux d'emballage.
- Assurez-vous que les filtres sont correctement positionnés et que le voyant des filtres n'est pas allumé.
- Assurez-vous du bon fonctionnement du ventilateur et de l'éclairage. Référez-vous au Manuel d'Utilisation pour les consignes d'utilisation et le tableau de résolution des problèmes.

Instructions d'installation

INSTALLATION – RECYCLAGE

1 MONTAGE DU GABARIT

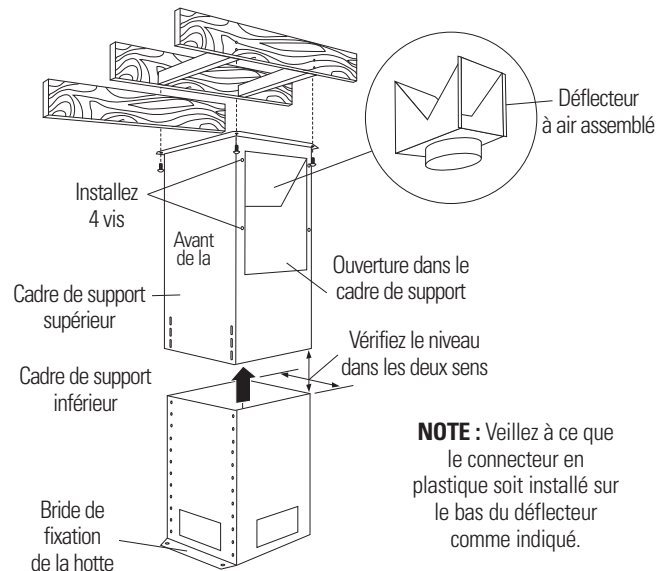
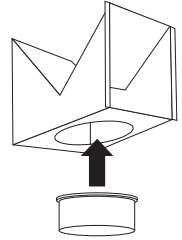
- Aligned le gabarit avec les marques sur le plafond et utilisez du ruban adhésif pour le maintenir en place.
- Assurez-vous que le gabarit est orienté correctement par rapport à l'avant de la hotte.
- Utilisez un fil à plomb pour que les trous de montage sont correctement alignés avec le plan de travail en-dessous.
- Utilisez un pointeau pour marquer tous les emplacements des trous.
- Percez des trous de guidage dans les 4 emplacements pour les vis. Utilisez un foret de 5/32 po et percez à une profondeur d'environ 1-1/2 po.
- Découpez un trou de passage des câbles d'un diamètre d'environ 1 po.



2 INSTALLEZ LE DÉFLECTEUR À AIR ET LE CADRE DE SUPPORT SUPÉRIEUR

Le connecteur de conduit est expédié à l'intérieur du déflecteur.

- Retirez le connecteur en plastique du déflecteur et le retourner. Par le dessous, placez le connecteur sur l'ouverture comme indiqué.
- Faites glisser le déflecteur assemble dans le cadre de support supérieur et fixez-le à l'aide de 4 petites vis.
- Fixez le cadre de support supérieur aux solives du plafond et/ou au cadre perpendiculaire avec les 4 vis fournies. Pour une rigidité et une solidité maximales, les vis doivent être vissées au milieu des solives et/ou du cadre perpendiculaire.
- Vérifiez que le cadre de support est de niveau, verticalement et horizontalement.



NOTE : Veillez à ce que le connecteur en plastique soit installé sur le bas du déflecteur comme indiqué.

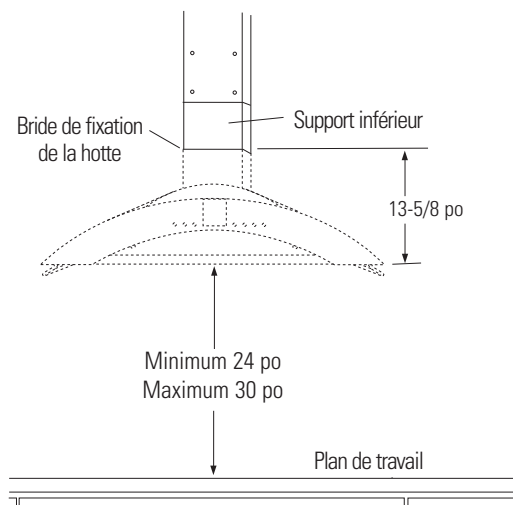
Instructions d'installation

INSTALLATION – RECYCLAGE

3 INSTALLATION DU CADRE DE SUPPORT INFÉRIEUR

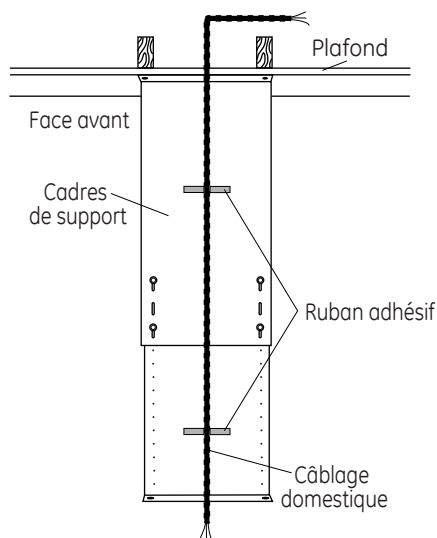
- Insérez le cadre de support inférieur dans le cadre de support supérieur et fixez-le avec les 8 vis et rondelles, sans serrer (4 à l'avant et 4 à l'arrière).
- Ajustez le cadre de support inférieur vers le haut ou vers le bas pour obtenir la hauteur désirée au-dessus de la table de cuisson. Serrez les vis.

IMPORTANT : Vérifiez de nouveau que le support est de niveau dans les deux directions. Il est impossible de mettre la hotte de niveau une fois que celle-ci a été fixée dans le cadre.



4 FIXATION DU CÂBLAGE

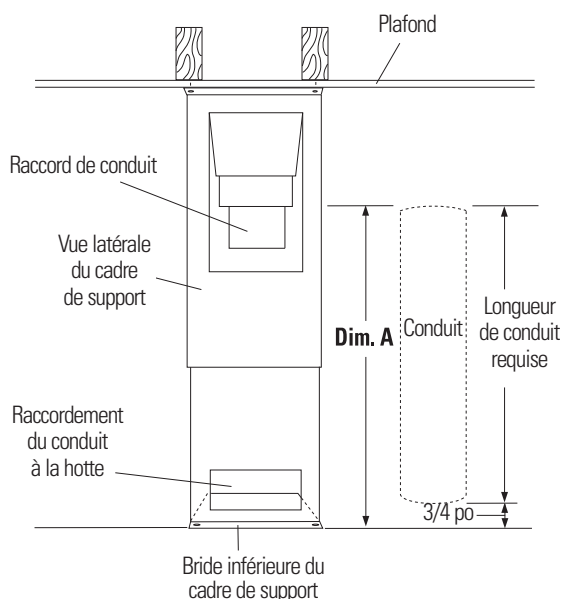
- Faites passer le câblage domestique à travers le trou dans le plafond et tirez jusqu'à atteindre la boîte de jonction de la hotte.



- Attachez le câblage à l'avant du cadre de support à l'aide de ruban adhésif pour éviter tout dommage pendant l'installation et l'entretien.

5 DIMENSIONNEMENT ET INSTALLATION DU CONDUIT

- Mesurez la distance entre le raccord de conduit haut (Dim. A) et le bas du cadre de support.
- Soustraire 3/4 po pour l'insertion de la hotte dans le bas du cadre.
- Découpez le conduit de 6 po de diamètre à la longueur requise.



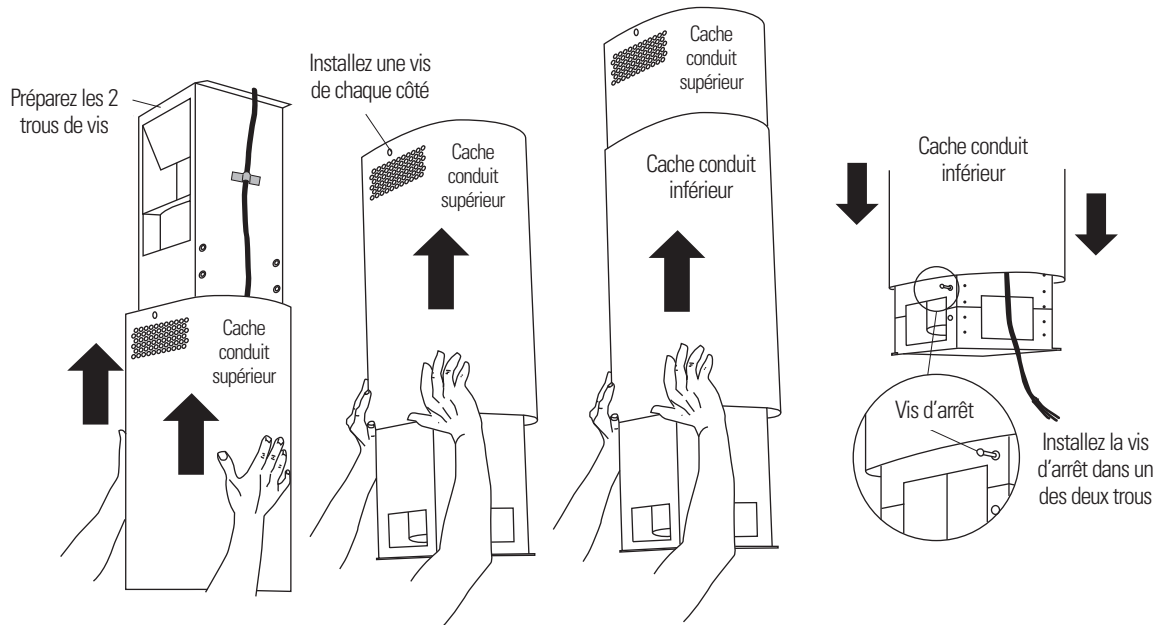
NOTE : La partie inférieure du conduit doit être légèrement évasée pour faciliter l'installation de la hotte.

- Installez le conduit sur le connecteur de conduit en passant à travers les cadres de support. Poussez le conduit vers le haut jusqu'à ce qu'il soit à 3/4 po du bas de la bride du cadre de support. Voir diagramme.
- Étanchéifiez le raccord entre les conduits à l'aide de ruban adhésif renforcé, en veillant à ce que le raccord reste bien fixé en place.

Instructions d'installation

INSTALLATION – RECYCLAGE

6 INSTALLATION DES CACHES CONDUIT DÉCORATIFS



- Préimplantez ou installez les vis décoratives dans leurs trous respectifs dans le cadre de support. Ceci facilitera l'installation des vis.
- Séparez les deux caches conduit décoratifs.
- Choisissez le cache intérieur ou supérieur avec les trous de ventilation à une extrémité.

Pour une installation avec évacuation de l'air vers l'extérieur, les trous doivent être placés sur le bas.

- Localisez les 2 vis fournies pour le cache conduit.
- Faites glisser le cache conduit décoratif par-dessus le cadre de support et poussez-le jusqu'au plafond.
- Fixez le cache conduit intérieur au support de la hotte dans la partie supérieure avec les 2 vis fournies pour le cache conduit.

- Localisez la vis d'arrêt dans le sac de quincaillerie.
- Installez la vis d'arrêt dans un des deux trous et serrez la vis contre le cadre pour permettre le passage du deuxième conduit.
- Faites glisser le cache conduit inférieur par-dessus le cache conduit supérieur déjà installé, en dépassant l'emplacement de la vis d'arrêt.
- Faites suffisamment ressortir la vis d'arrêt pour soutenir le cache conduit inférieur et éviter qu'il ne glisse sur le dessus de la hotte.

⚠ MISE EN GARDE : La vis d'arrêt doit être installée. Le non-respect de ces règles peut entraîner des blessures corporelles ou des dommages au cache conduit.

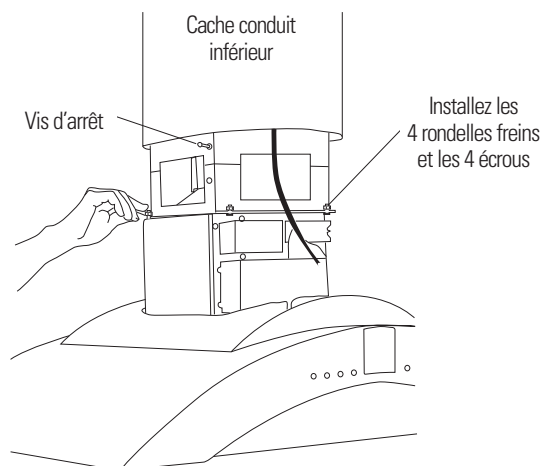
Instructions d'installation

INSTALLATION – RECYCLAGE

7 INSTALLATION DE LA HOTTE

Alignez le raccord de conduit avec le conduit de la maison

Alignez les tiges filetées de fixation



NOTE : Avant d'installer la hotte, vous pouvez retirer les clapets métalliques du registre du haut de l'évacuation de la hotte. Ne retirez pas le conduit de transition. Le registre n'est pas requis pour un fonctionnement en recyclage.

NOTE : LA PRÉSENCE DE DEUX PERSONNES EST NÉCESSAIRE POUR TERMINER CETTE INSTALLATION !

- Soulevez la hotte jusqu'au cadre de support. Alignez soigneusement les tiges filetées de fixation dans les trous du cadre de support, tout en guidant le raccord de conduit dans le conduit.

- Installez les 4 rondelles freins et les écrous. Serrez à l'aide d'une clé de 10 mm.
- Vérifiez le niveau de la hotte dans les deux directions.
- Étanchéifiez le raccord avec du ruban adhésif renforcé.

NOTE : Ne faites pas passer de vis au travers de ce raccord de conduit. Ceci empêcherait le bon fonctionnement du registre (si celui-ci est installé).

8 BRANCHEMENT ÉLECTRIQUE

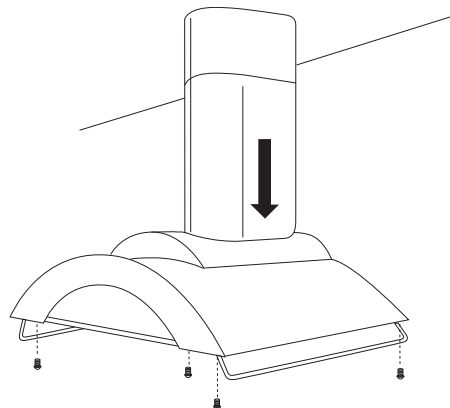
Vérifiez que l'alimentation électrique est coupée à la source.

⚠ AVERTISSEMENT : Si le circuit de la maison n'est pas équipé de 2 brins et d'un fil de terre, l'installateur doit poser un fil de terre. Si les fils sont en aluminium, prenez soin d'utiliser des connecteurs conçus pour le raccordement du cuivre à l'aluminium avec une pâte antioxydante approuvée par l'UL.

- Installez le réducteur de tension dans la débouchure du couvercle de la boîte de jonction.
- Insérez le câblage domestique dans le réducteur de tension et serrez.
- Connectez les câbles blancs au câble blanc du circuit de dérivation.
- Connectez les câbles noirs au câble noir du circuit de dérivation.
- Connectez les câbles vert/jaune au câble vert ou au câble dénudé de terre du circuit de dérivation.
- Fixez toutes les connexions à l'aide de serre-fils sur chaque connecteur électrique.
- Poussez doucement les fils dans la boîte de jonction et remettez le couvercle. Veillez à ne pas pincer les fils.

9 INSTALLATION DU CACHE CONDUIT ET DES BARRES LATÉRALES À USTENSILES

- Faites glisser le cache conduit inférieur vers le haut, au dessus de la vis d'arrêt.
- Vissez la vis d'arrêt près du cadre.
- Faites redescendre le cache conduit de nouveau, jusqu'à ce qu'il soit en contact avec le haut de la hotte. Le cache conduit doit être positionné dans le creux dans le haut de la hotte.



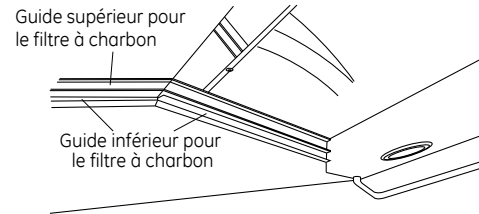
- Installez les barres latérales à ustensiles comme indiqué avec les vis fournies.

Instructions d'installation

INSTALLATION – RECYCLAGE

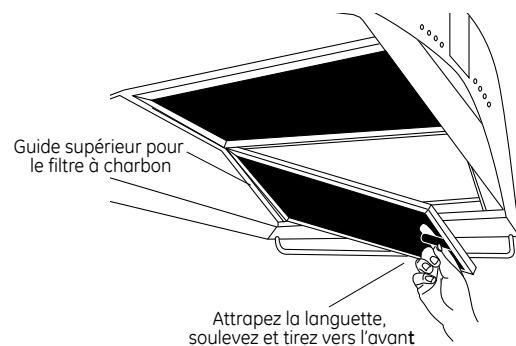
10 INSTALLATION DES FILTRES

- Il y a deux guides à l'intérieur de la hotte à l'avant et à l'arrière. Ces guides maintiennent les filtres à charbon et les filtres à graisse en acier inoxydable en place.



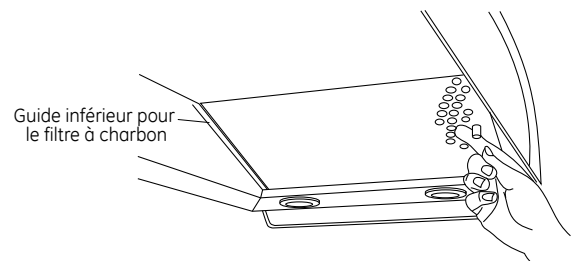
Installation des filtres à charbon

- Retirez le film protecteur des filtres à charbon.
- Inclinez les filtres à charbon dans les **guides supérieurs** à l'arrière de l'ouverture. Attrapez la languette du filtre, soulevez-le et tirez vers l'avant jusqu'à ce que le filtre repose sur le guide supérieur avant.
- Installez les 3 filtres à charbon.



Installation des filtres à graisse

- Retirez le film protecteur des filtres à graisse.
- Inclinez le filtre à graisse dans le guide inférieur à l'arrière de l'ouverture. Poussez-le vers l'arrière, soulevez, puis tirez le bouton vers l'avant jusqu'à ce que le filtre repose sur le guide.
- Installez les 3 filtres à graisse.
- Allumez la hotte. Si le voyant du filtre sur le tableau de commande est allumé, ajustez le filtre droit dans le guide pour engager le microrupteur.



11 FINALISATION DE L'INSTALLATION

- Retirez le film protecteur recouvrant le tableau de commande sur l'avant de la hotte ainsi que tous les matériaux d'emballage.
- Assurez-vous que les filtres sont correctement positionnés et que le voyant des filtres n'est pas allumé.
- Assurez-vous du bon fonctionnement du ventilateur et de l'éclairage. Référez-vous au Manuel d'Utilisation pour les consignes d'utilisation et le tableau de résolution des problèmes.

Notes

Información de seguridad

LEA Y GUARDE ESTAS INSTRUCCIONES

ANTES DE COMENZAR

Lea estas instrucciones por completo y con detenimiento.

- **IMPORTANTE** — Guarde estas instrucciones para el uso de inspectores locales.
- **IMPORTANTE** — Cumpla con todos los códigos y ordenanzas vigentes.
- **Nota al instalador** — Asegúrese de dejar estas instrucciones con el Consumidor.
- **Nota al consumidor** — Mantenga estas instrucciones con el Manual del Propietario para referencia futura.
- **Nivel de capacidad** — La instalación de este aparato requiere capacidades mecánicas y eléctricas básicas.
- **Tiempo de finalización** — de 1 a 3 horas.
- El instalador tiene la responsabilidad de efectuar una instalación adecuada. La garantía no cubre las fallas del producto debido a una instalación incorrecta.

Para servicio técnico local Monogram en su área, llame al 1.800.444.1845.

Para servicio técnico Monogram en Canadá, llame al 1.800.561.3344.

Para piezas y accesorios Monogram, llame al 1.800.626.2002.

⚠ PRECAUCIÓN:

Debido al peso y tamaño de estas campanas de ventilación y para reducir el riesgo de lesiones personales o daños al producto. **SE NECESITAN DOS PERSONAS PARA REALIZAR UNA INSTALACIÓN CORRECTA.**

⚠ ADVERTENCIA:

Para reducir el riesgo de incendio o descarga eléctrica, no utilice esta campana para estufa con ningún dispositivo de control de velocidad externo de estado sólido. Cualquier clase de modificación del cableado original de fábrica podría provocar daños a la unidad y/o crear un peligro de seguridad eléctrico.

PARA REDUCIR EL RIESGO DE INCENDIO, SÓLO UTILICE CONDUCTOS DE METAL.

⚠ ADVERTENCIA: PARA REDUCIR EL RIESGO DE INCENDIO, DESCARGA ELÉCTRICA O LESIONES A PERSONAS, CUMPLA CON LOS SIGUIENTES PUNTOS:

- A. Utilice esta unidad sólo de la manera concebida por el fabricante. Si tiene alguna pregunta, comuníquese con el fabricante.

- B. Antes de realizar reparaciones o limpiar la unidad, desconecte la energía del panel de servicio y bloquee los medios de desconexión para evitar el accionamiento de la energía de manera accidental. Cuando los medios de desconexión de servicio no pueden bloquearse, coloque sobre el panel de servicio un dispositivo de advertencia bien visible, como una etiqueta.

⚠ PRECAUCIÓN: SÓLO PARA USO DE VENTILACIÓN GENERAL. NO LO UTILICE PARA VENTILAR MATERIALES PELIGROSOS NI MATERIALES O VAPORES EXPLOSIVOS.

⚠ ADVERTENCIA: PARA REDUCIR EL RIESGO DE INCENDIO, DESCARGA ELÉCTRICA O LESIONES A PERSONAS, CUMPLA CON LOS SIGUIENTES PUNTOS:

- El trabajo de instalación y el cableado eléctrico deben realizarlo personas calificadas en cumplimiento con todos los códigos y normas aplicables, incluyendo construcción con clasificación para incendios.
- Se necesita suficiente aire para una combustión y escape de gases adecuados a través de la ventilación (chimenea) de equipamiento de combustión de combustible para evitar la contracorriente. Siga las pautas y normas de seguridad de fabricante del equipamiento de calefacción, tales como las publicadas por la Asociación Nacional de Protección contra Incendios (NFPA), la Sociedad Estadounidense de Ingenieros en Calefacción, Refrigeración y Aire Acondicionado (ASHRAE) y las autoridades de códigos locales.
- Cuando realice cortes o perforaciones dentro de paredes o cielorrasos, no dañe el cableado eléctrico ni otros servicios públicos ocultos.
- Los sistemas de conductos siempre deben contar con una salida al exterior.
- Los códigos locales pueden variar. La instalación de conexiones eléctricas y a tierra debe cumplir con los códigos aplicables. Si no existieran códigos locales, la ventilación deberá instalarse en cumplimiento con el Código Eléctrico Nacional ANSI/NFPA 70-1990 o la última edición.

⚠ PRECAUCIÓN: Para reducir el riesgo de incendio o para que el aire se ventile de manera adecuada, asegúrese de que el aire salga al exterior; no ventile aire de escape en espacios dentro de paredes o cielorrasos o dentro de áticos, huecos sanitarios o garajes.

Información de diseño

CONTENIDOS

Información de diseño

Modelos disponibles	44
Dimensiones del producto	44

Planificación previa

Planificación de los conductos	45
Armazones de cielorraso para un soporte adecuado	45

Preparación para la instalación

Accesorios de los conductos	46
Suministro de energía	47
Herramientas y materiales requeridos	47
Quite el envoltorio	48
Controle las piezas de instalación	48
Establezca la altura de instalación	49
Instale la estructura del soporte de cielorraso	50-52

Instrucciones de instalación

Instalación—Ventilación hacia el exterior.....	53-57
Paso 1, Instale la plantilla.....	53
Paso 2, Instale el armazón de soporte superior	53
Paso 3, Instale el armazón de soporte inferior	53

Paso 4, Fije el cableado.....	54
Paso 5, Mida e instale los conductos	54
Paso 6, Instale las cubiertas de conducto decorativas	55
Paso 7, Instale la campana	56
Paso 8, Conecte los elementos eléctricos	56
Paso 9, Deslice la cubierta de conducto hacia abajo e instale las barras laterales para utensilios.....	56
Paso 10, Instale los filtros.....	57
Paso 11, Finalice la instalación	57

Instrucciones de instalación

Instalación—Recirculación	58-62
Paso 1, Instale la plantilla.....	58
Paso 2, Instale el armazón de soporte superior	58
Paso 3, Instale el armazón de soporte inferior	59
Paso 4, Fije el cableado.....	59
Paso 5, Mida e instale los conductos	59
Paso 6, Instale las cubiertas de conducto decorativas	60
Paso 7, Instale la campana	61
Paso 8, Conecte los elementos eléctricos	61
Paso 9, Deslice la cubierta de conducto hacia abajo e instale las barras laterales para utensilios.....	61
Paso 10, Instale los filtros.....	62
Paso 11, Finalice la instalación	62

MODELOS DISPONIBLES

Modelo ZV850, 360 CFM (pies cúbicos por minuto)
Modelo ZV855, 500 CFM (pies cúbicos por minuto)

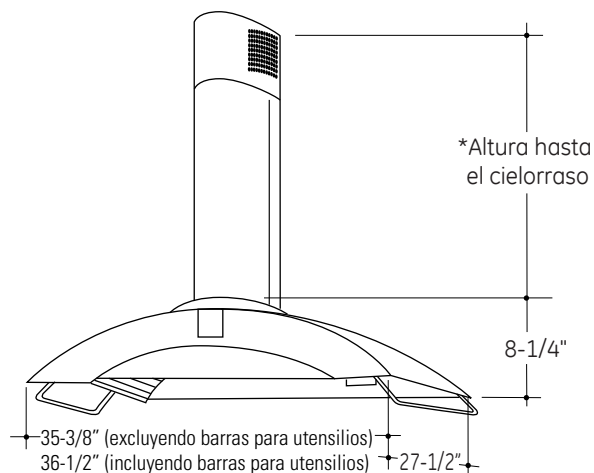
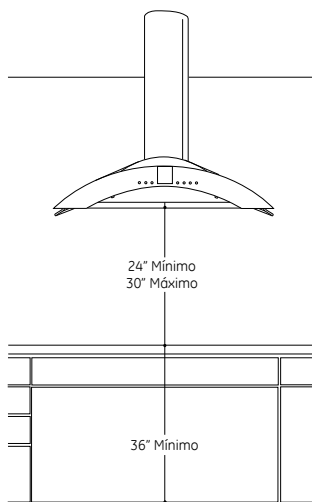
Estas campanas pueden instalarse con ventilación hacia el exterior, o pueden instalarse para realizar una operación de recirculación. Todas las piezas necesarias para la operación de recirculación se incluyen con la campana. No se requieren kits adicionales.

- Estas campanas de ventilación pueden instalarse sobre cualquier estufa eléctrica o a gas Monogram de 30" o 36", con excepción de las estufas o cocinas Monogram Professional mayores a 30".
- Las cubiertas del conducto reversibles pueden utilizarse para la operación de recirculación.
- Las cubiertas del conducto plegables ocultan los conductos que van desde la parte superior de la campana hasta el cielorraso.
- La cubierta de conducto provista puede alcanzar alturas de cielorraso de más de 8 pies. Ver la tabla de la página 49.

DIMENSIONES Y MARJENS DEL PRODUCTO

La campana de ventilación debe instalarse a un mín. de 24" y un máx. de 30" sobre la superficie de cocción.

NOTA: La altura de instalación debe medirse desde la superficie de cocción hasta la parte más baja de la campana.



ZX8510SPSS Accesorio de cubierta de conducto

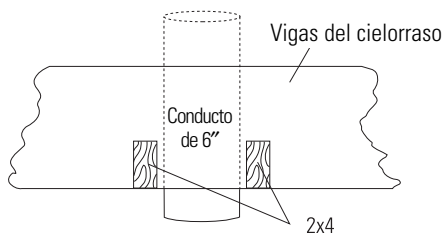
Este accesorio se encuentra disponible para instalaciones con cielorrasos desde una altura de 8' 7" hasta más de 10 pies. Ver la tabla de la página 49.

El accesorio de cubierta del conducto debe encontrarse en el sitio con la campana en el momento de la instalación.

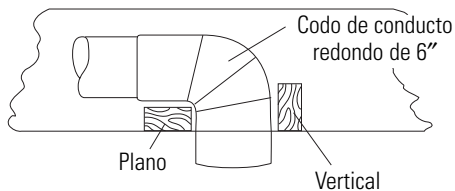
Planificación previa

PLANIFICACIÓN DE LOS CONDUCTOS

- Esta campana está diseñada para ventilarse en forma vertical a través del cielorraso. Utilice codos suministrados en forma local para ventilación horizontal a través de la pared trasera.
- Determine la ubicación exacta de la campana de ventilación.
- Planifique el recorrido de la salida de ventilación hacia el exterior.
- Utilice el recorrido de conductos más corto y más recto posible. Para un desempeño satisfactorio, el recorrido de los conductos no debe superar una longitud equivalente a los 100' para ninguna configuración de conductos.
- Consulte la tabla "Accesorios de conductos" para calcular la longitud máxima permisible para recorridos de conductos hacia el exterior.
- Sólo use conductos de metal rígidos.



A través del cielorraso



Ventilación entre vigas del cielorraso

- Esta campana de ventilación debe utilizar un conducto redondo de 6". El conducto de 6" puede conectarse a otros de 3-1/4" x 10" o 3-1/4" x 12".
- Instale el conducto doméstico para que corra en forma horizontal entre las vigas del cielorraso o en forma recta a través del techo.
- Instale una cubierta de pared o casquete de techo con un regulador de tiro en la abertura exterior. Solicite por adelantado la cubierta de pared o el casquete de techo y cualquier transición o longitud de conducto necesarios.

⚠ ADVERTENCIA: PARA REDUCIR EL RIESGO DE INCENDIO, SÓLO UTILICE CONDUCTOS DE METAL RÍGIDOS.

ARMAZÓN DE CIELORRASO PARA UN SOPORTE ADECUADO

- Estas campanas de ventilación son muy pesadas. Debe contarse con un soporte estructural adecuado. La estructura del cielorraso debe poder soportar el peso de la campana y las cargas de contacto involuntarias ejercidas por el usuario (aproximadamente 200 libras). El armazón de soporte de la campana tendrá el soporte de un armazón cruzado de 2 x 4 mínimo.
- La instalación será más fácil si la campana de ventilación se instala antes de la estufa o si el mostrador de encimera ya se encuentra instalado.

Accesorio de cubierta de conducto

Su instalación puede necesitar un accesorio de cubierta de conductos, dependiendo de la altura del cielorraso.

Preparación para la instalación

ACCESORIOS DE CONDUCTOS

Esta campana debe usar un conducto redondo de 6". Puede conectarse con un conducto de 3-1/4" x 10" o de 3-1/4" x 12".

Utilice esta tabla para calcular las longitudes máximas permitidas para recorridos de conductos hacia el exterior.

NOTA: ¡No supere las longitudes equivalentes máximas permitidas!

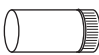
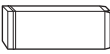


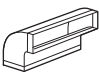
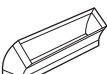
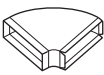

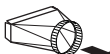
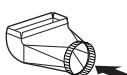
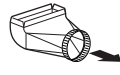
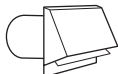
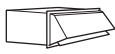

Longitud máxima de conducto: 100 pies para campanas de cocinas.

Conductos flexibles:

Si se utilizan conductos flexibles de metal, todos los valores equivalentes en pies de la tabla deben duplicarse. El conducto flexible de metal debe ser recto y liso y debe extenderse lo máximo posible.

NO USE conductos flexibles de plástico.

NOTA: Cualquier sistema de ventilación doméstico, como una campana de ventilación, puede interrumpir el flujo adecuado de aire de combustión y de escape requerido para chimeneas, hornos a gas, calentadores de agua a gas y otros sistemas de ventilación natural. Para minimizar las posibilidades de interrupción de tales sistemas de ventilación natural, siga las pautas y normas de seguridad del fabricante del equipamiento de calefacción, tales como las publicadas por NFPA y ASHRAE.

Pieza de conducto	Dimensiones	Longitud equivalente*	Cantidad utilizada	Longitud equivalente total
	Redonda, recta	1 pie (por longitud de pie)		
	3-1/4" x 10" recta	1 pie (por longitud de pie)		
	Codo de 90°	12 pies		
	Codo de 45°	7 pies		
	3-1/4" x 10" 3-1/4" x 12" Codo de 90°	14 pies 10 pies		
	3-1/4" x 10" 3-1/4" x 12" Codo de 45°	8 pies 6 pies		
	3-1/4" x 10" 3-1/4" x 12" Codo plano de 90°	33 pies 24 pies		
	Conducto redondo de 6" a rectangular	2 pies		
	Rectangular a redondo de 8"	2 pies		
	3-1/4" x 10" 3-1/4" x 12" Conducto redondo de 6" a rectangular codo de 90° de transición	4 pies 4 pies		
	3-1/4" x 10" 3-1/4" x 12" Rectangular a redondo de 6" codo de 90° de transición	4 pies 4 pies		
	Cubierta de pared redonda con regulador de tiro	24 pies		
	3-1/4" x 10" 3-1/4" x 12" Cubierta de pared rectangular con regulador de tiro	24 pies 18 pies		
	Casquete de techo redondo	33 pies		

*Longitud real del conducto recto más equivalente de accesorio de conducto. La longitud equivalente de las piezas de conductos se encuentra basada en pruebas reales realizadas por el grupo de Ingeniería de Evaluación de GE y reflejan los requisitos para un buen desempeño de ventilación con cualquier campana de ventilación.

Recorrido total de los conductos _____

Preparación para la instalación

SUMINISTRO DE ENERGÍA

IMPORTANTE – (Tenga a bien leer cuidadosamente)

⚠️ ADVERTENCIA:

PARA SEGURIDAD PERSONAL, ESTE APARATO DEBE CONECTARSE A TIERRA DE MANERA ADECUADA.

Quite el fusible o abra el interruptor de circuitos antes de comenzar la instalación.

No utilice un cable de extensión o un enchufe adaptador con este artefacto. Siga el Código Eléctrico Nacional o los códigos y ordenanzas locales vigentes.

Suministro eléctrico

Esta campana de ventilación deben contar con un suministro de 120V, 60Hz, y debe estar conectada a un circuito derivado individual con una adecuada conexión a tierra y debe contar con la protección de un interruptor de circuito o un fusible con retraso de 15 o 20 amperios.

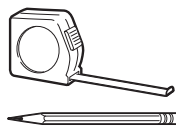
- El cableado debe ser de 2 hilos con conexión a tierra.
- Si el suministro eléctrico no cumple con los requisitos anteriores, llame a un electricista con licencia antes de continuar.
- Dirija el cableado doméstico lo más cercano a la instalación posible. Considere una longitud adicional desde las vigas del cielorraso para poder alcanzar la caja de conexiones de la campana.
- Conecte el cableado al cableado doméstico en cumplimiento con los códigos locales.

Instrucciones de conexión a tierra

El conductor a tierra debe conectarse a un metal con conexión a tierra, un sistema de cableado permanente o una terminal o conductor de conexión a tierra en la campana.

⚠️ ADVERTENCIA: Una conexión inadecuada del conductor de conexión a tierra del equipamiento puede provocar un riesgo de descarga eléctrica. Consulte a un electricista calificado o representante de servicio técnico si tiene dudas sobre la correcta conexión a tierra del aparato.

HERRAMIENTAS Y MATERIALES REQUERIDOS (NO SUMINISTRADOS)



Lápiz y cinta métrica



Gafas de seguridad



Guantes



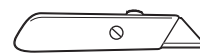
Nivel de burbuja de aire



Martillo



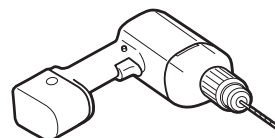
Destornillador de estrella



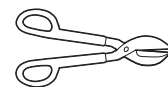
Cuchillo de uso general



Linterna



Perforadora eléctrica con brocas de 5/32", de estrella N° 2 y socket de 7/16"



Tijeras para metal



Llave de 10 mm



Escalera



Cinta adhesiva



Alicates



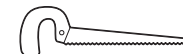
Alicate pelacables



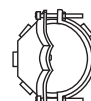
Tapones de alambre aprobados por UL



Sierra sable o serrucho de calar



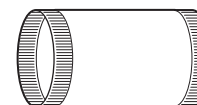
Cinta aislante de aluminio



Alivio de tensión para la caja de conexiones



Plomada



Conducto de metal redondo de 6" longitud suficiente para la instalación



Cable de 120V, 60Hz, 15 o 20 amperios de 2 hilos con circuito derivado con conexión a tierra

Preparación para la instalación

QUITE EL ENVOLTORIO

▲ PRECAUCIÓN: Use guantes para protegerse de lados afilados.

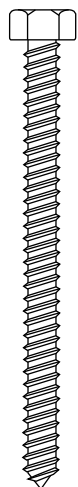
La campana de ventilación se envía con la cubierta de conducto y los armazones de soporte.

- Quite la campana, las piezas y el envoltorio.
- Quite la tapa de la caja de conexiones.
- Instale el alivio de tensión en la tapa de la caja de conexiones (no provista).

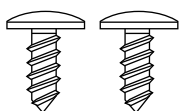
NOTA: Se necesitan herramientas, materiales y piezas de ferretería adicionales para construir el soporte del cielorraso.

Controle las piezas de instalación

Ubique la bolsa de piezas enviada con la campana y verifique el contenido.



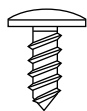
4 tornillos hexagonales de fijación para madera (6 mm x 2-1/2" o 1/4 x 2-1/2")



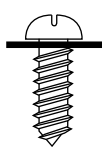
2 tornillos de estrella para la cubierta de conducto



4 arandelas planas



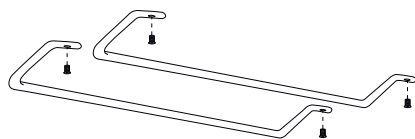
2 tornillos de tope (uno se encuentra en el sobre del manual de servicio. Deje ese tornillo en el sobre).



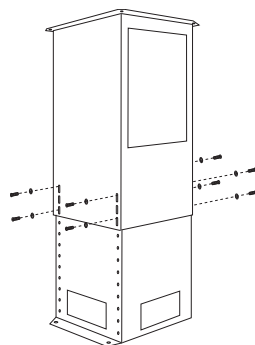
8 tornillos de sujeción de armazón con arandelas (sujetos a los accesorios de armazones de soporte)



4 tuercas y arandelas de fijación (10 mm)

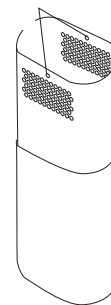


2 barras para utensilios con 4 tornillos mecánicos

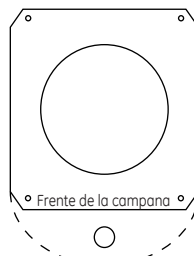


Armazones de soporte con 8 tornillos y 8 arandelas

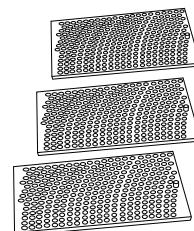
Orificios para tornillos de montaje



Cubiertas de conducto decorativas

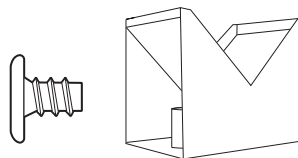


Plantilla

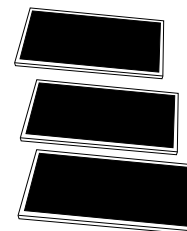


3 filtros de grasa de acero inoxidable

Piezas adicionales para la operación de recirculación



Deflector de aire con conector de conducto superior y 4 tornillos pequeños de cabeza plana

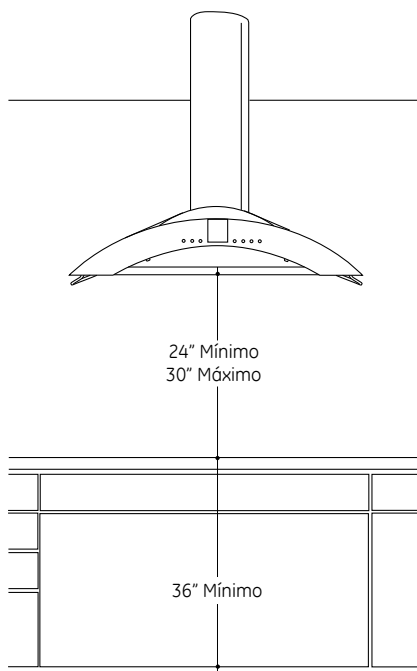


3 filtros de carbón

Preparación para la instalación

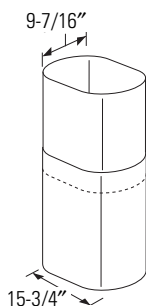
DETERMINE LA ALTURA DE INSTALACIÓN

- Se ofrecen cubiertas de conducto plegables para ocultar los conductos que se extienden hasta el cielorraso.
- Esta campana puede instalarse para una operación de recirculación o ventilación. Todas las piezas necesarias se envían con la campana.



NOTA: La altura de instalación debe medirse desde la superficie de cocción hasta la parte inferior de la campana. La campana de ventilación debe instalarse a un mín. de 24" y un máx. de 30" sobre la superficie de cocción. La altura de instalación de la campana, desde la superficie de cocción hasta la parte inferior de la campana, depende de la altura del cielorraso y de las limitaciones de la cubierta de conducto.

DIMENSIONES DE LA CUBIERTA DE CONDUCTO



ZX8510SPSS Accesorio de cubierta de conducto

Este accesorio se encuentra disponible para instalaciones con cielorrasos desde una altura de 8'7" hasta más de 10 pies. Este accesorio cuenta con dos cubiertas de conducto de 26-1/4" y una pieza de armazón de soporte superior de 31".

Alturas de instalación de ZV850/ZV855

Altura del cielorraso	*Posible VENTILADO Altura de instalación	*Posible RECIRCULACIÓN Altura de instalación	Armazón inferior 20.75"	Armazón superior 20.75"	Conducto inferior 18"	Conducto superior 18"	Armazón superior 31" + Armazón inferior 26.25"	Conducto inferior 26.25"	Conducto superior 26.25"
			ARMAZÓN PROVISTO		CUBIERTAS DE CONDUCTO PROVISTAS		ZX8510SPSS - ACCESORIO DE ARMAZÓN SUPERIOR		ZX8510SPSS - ACCESORIO DE CUBIERTAS DE CONDUCTO
7' 11"	24"	24"							
8'	24" a 25"	24" a 25"							
8' 1"	24" a 26"	24" a 26"							
8' 2"	25" a 27"	24" a 27"							
8' 3"	26" a 28"	24" a 28"							
8' 4"	27" a 29"	24" a 29"							
8' 5"	28" a 30"	24" a 30"							
8' 6"	29" a 30"	25" a 30"							
8' 7"	30"	26" a 30"							
8' 8"		27" a 30"							
8' 9"		28" a 30"							
8' 10"		29" a 30"							
8' 11"		30"							
8' 7"	24"	24"							
8' 8"	24" a 25"	24" a 25"							
8' 9"	24" a 26"	24" a 26"							
8' 10"	24" a 27"	24" a 27"							
8' 11"	24" a 28"	24" a 28"							
9'	24" a 29"	24" a 29"							
9' 1"	24" a 30"	24" a 30"							
9' 2"	24" a 30"	24" a 30"							
9' 3"	24" a 30"	24" a 30"							
9' 4"	24" a 30"	24" a 30"							
9' 5"	24" a 30"	24" a 30"							
9' 6"	24" a 30"	24" a 30"							
9' 7"	24" a 30"	24" a 30"							
9' 8"	25" a 30"	24" a 30"							
9' 9"	26" a 30"	24" a 30"							
9' 10"	27" a 30"	24" a 30"							
9' 11"	28" a 30"	25" a 30"							
10'	29" a 30"	26" a 30"							
10' 1"	30"	27" a 30"							
10' 2"		28" a 30"							
10' 3"		29" a 30"							
10' 4"		30"							

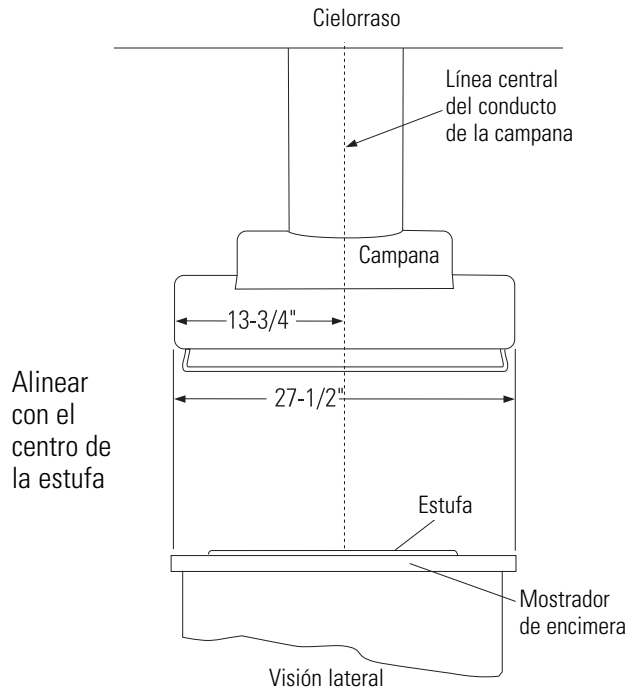
*Basado en una altura de mostrador de encimera de 36".

Preparación para la instalación

CONSTRUYA EL SOPORTE DEL CIELORRASO

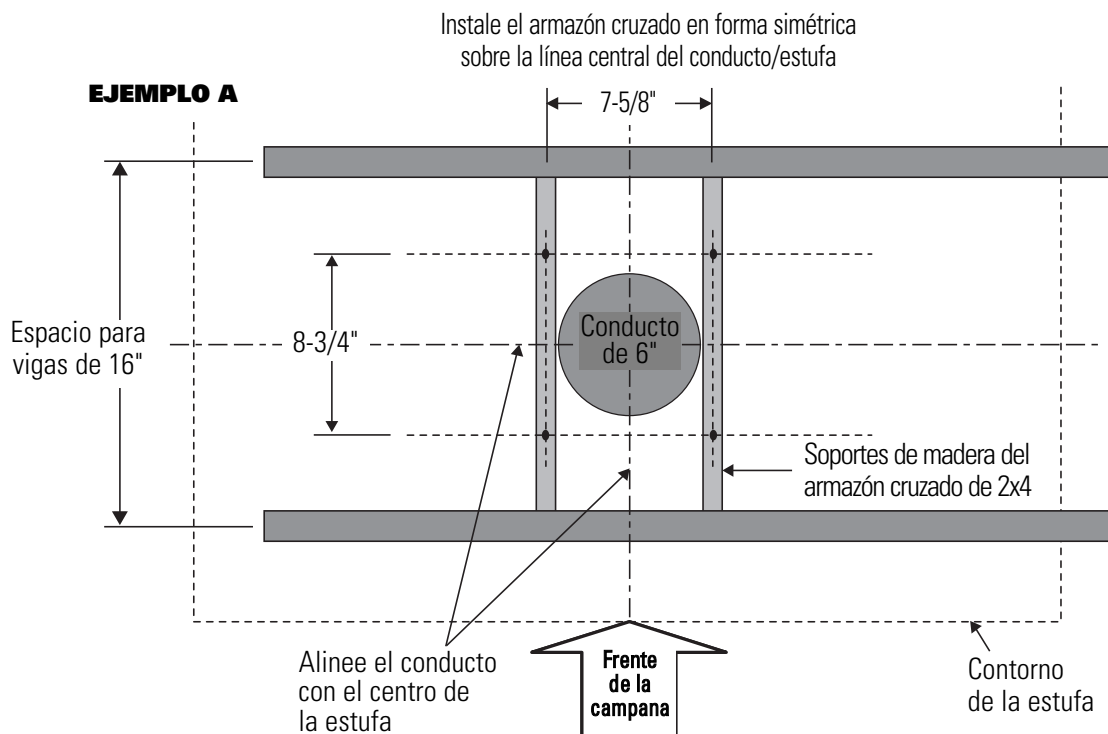
Planifique la ubicación de la campana y del conducto

- Utilice una plomada para verificar la ubicación. El mostrador de encimera/la estufa debajo de la campana deben centrarse respecto de la campana.
- La campana debe extenderse más allá de los bordes frontal y trasero del aparato de cocción.
- El conducto del cielorraso debe centrarse sobre la estufa.



Estructura del soporte de cielo raso

- En la ubicación de la campana, instale un armazón cruzado entre las vigas del cielo raso como se indica. (Se requieren soportes de madera de 2x4 para sostener el peso de la campana).
- Coloque el armazón cruzado en el cielo raso de modo que se ajuste a la estructura existente.
- Las vigas del cielo raso serán como uno de los siguientes ejemplos.

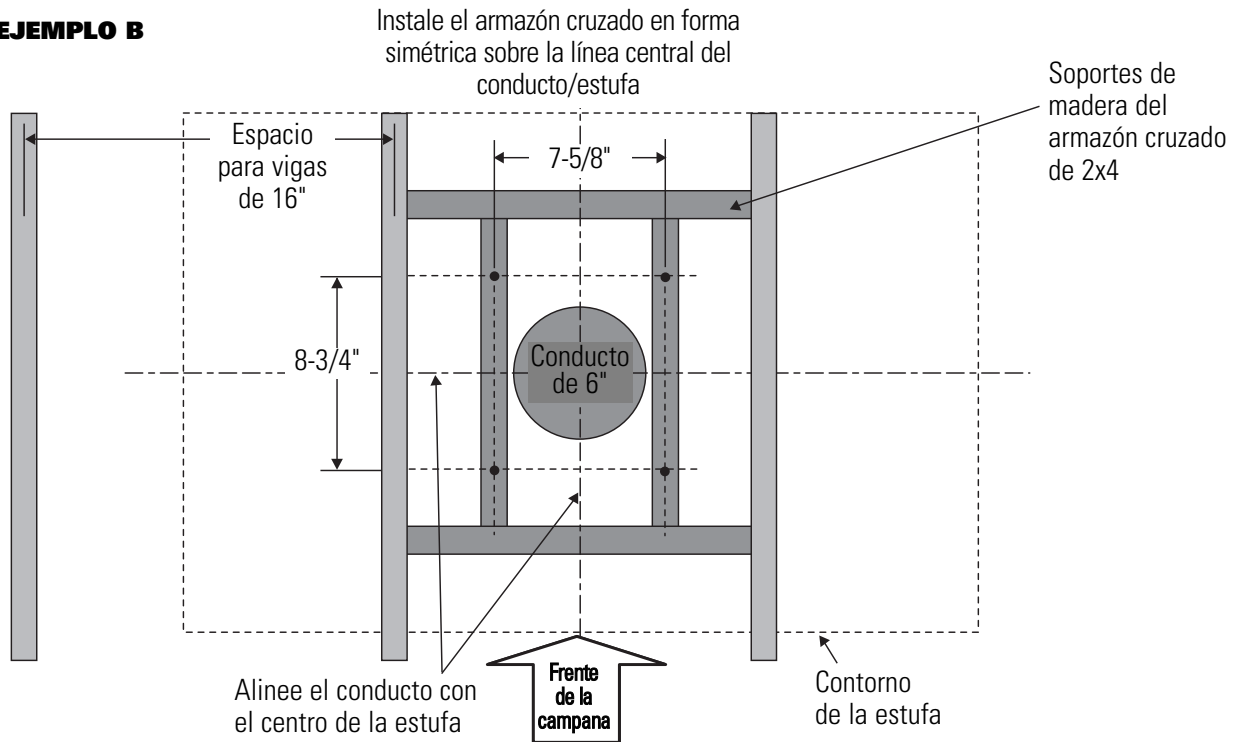


Visión superior – vigas del cielo raso paralelas al frente de la campana

Preparación para la instalación

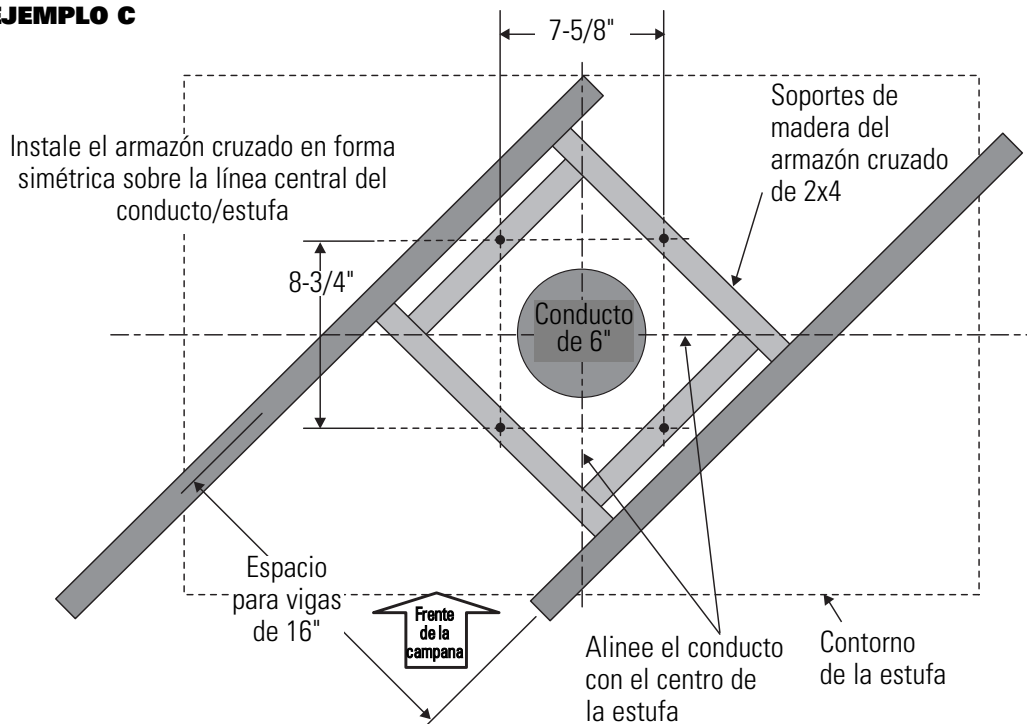
CONSTRUYA EL SOPORTE DEL CIELORRASO (continuación)

EJEMPLO B



Visión superior – las vigas del cielorraso corren perpendiculares al frente de la campana

EJEMPLO C



Visión superior – vigas del cielorraso en ángulo con el frente de la campana

Preparación para la instalación

CONSTRUYA EL SOPORTE DEL CIELORRASO (continuación)

- Fije cada bloque de 2 x 4 con por lo menos cuatro (4) tornillos para madera N°10 de 3" de largo (no provistos). Utilice un total de 8 tornillos para madera para los dos soportes.
- **El armazón cruzado debe estar precisamente alineado para garantizar una posición correcta de la campana.**
- El armazón cruzado debe estar nivelado en todas las direcciones. Controle con un nivel de burbuja y ajuste si hiciera falta.

IMPORTANTE: La estructura del cielorraso debe poder soportar el peso de la campana (aproximadamente 200 libras) y las cargas de contacto involuntarias ejercidas por el usuario. El armazón de la campana tendrá el soporte de un armazón cruzado de 2 x 4.

Conductos para instalaciones con ventilación hacia el exterior

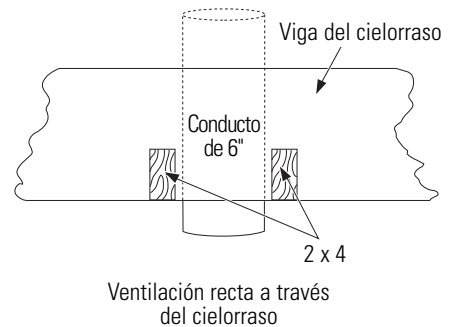
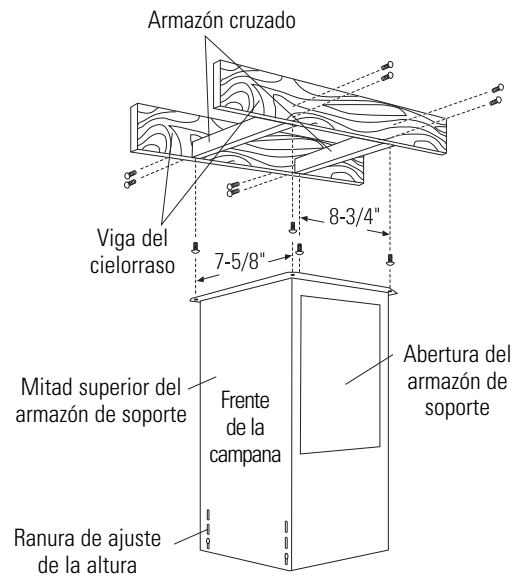
- Utilice el recorrido de conductos más corto y más recto posible. Para un desempeño satisfactorio, el recorrido de los conductos no debe superar una longitud equivalente a los 100 pies para ninguna configuración de conductos.
- Consulte la tabla "Accesorios de conductos" para calcular la longitud máxima permisible para recorridos de conductos hacia el exterior.
- Esta campana de ventilación debe utilizar un conducto rígido redondo de 6".

⚠ ADVERTENCIA: PARA REDUCIR EL RIESGO DE INCENDIO, SÓLO UTILICE CONDUCTOS DE METAL RÍGIDOS.

- Instale el conducto doméstico para que corra en forma horizontal entre las vigas del cielorraso o en forma recta a través del techo.

Finalice el cielorraso

- Finalice la superficie del cielorraso. Asegúrese de marcar la ubicación de las vigas del cielorraso y del armazón cruzado. Controle que el cielorraso esté nivelado; utilice cuñas si fuese necesario.

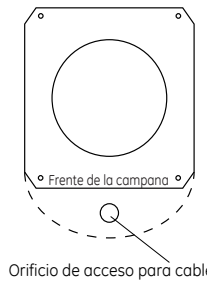


Instrucciones de instalación

INSTALACIÓN – VENTILACIÓN HACIA EL EXTERIOR

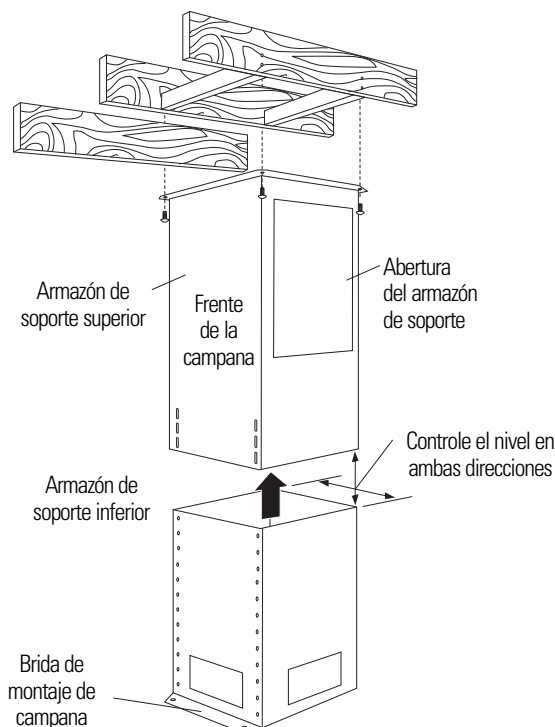
1 INSTALE LA PLANTILLA

- Alinee la plantilla con las marcas sobre el cielorraso y adhiérala en su lugar con cinta adhesiva.
- Asegúrese de que la plantilla esté bien orientada respecto del frente de la campana.
- Utilice una plomada para asegurar que los orificios de montaje brinden una alineación paralela con el mostrador de encimera de abajo.
- Marque todas las ubicaciones de los orificios con un punzón.
- Perfore orificios piloto en las 4 ubicaciones para tornillos. Utilice una broca de 5/32" y perfore con una profundidad de aproximadamente 1-1/2".
- Corte un orificio de acceso para cable de aproximadamente 1" de diámetro.
- Corte la abertura de conducto de 6-1/2" a través del cielorraso.



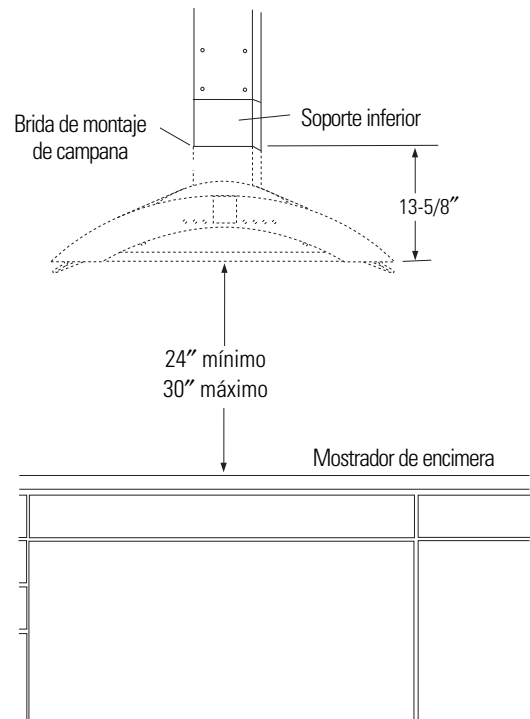
2 INSTALE EL ARMAZÓN DE SOPORTE SUPERIOR

- Asegure el armazón de soporte superior a las vigas del cielorraso y/o armazón cruzado con los 4 tornillos provistos. Para una mayor rigidez y resistencia, los tornillos deben introducirse en el centro de las vigas y/o en el armazón cruzado.
- Verifique que el armazón de soporte esté nivelado, en forma vertical y horizontal.



3 INSTALE EL ARMAZÓN DE SOPORTE INFERIOR

- Introduzca el armazón de soporte inferior en el armazón de soporte superior y coloque los 8 tornillos y arandelas sin ajustar (4 en el frente y 4 en la parte trasera).
- Ajuste el armazón de soporte inferior hacia arriba o abajo hasta alcanzar la altura deseada sobre el mostrador de encimera. Ajuste los tornillos.



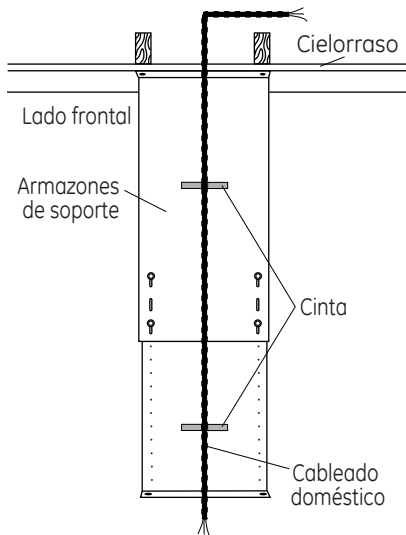
IMPORTANTE: Verifique una vez más que el soporte esté nivelado en ambas direcciones. No hay manera de nivelar la campana después de haberla fijado al armazón.

Instrucciones de instalación

INSTALACIÓN – VENTILACIÓN HACIA EL EXTERIOR

4 FIJE EL CABLEADO

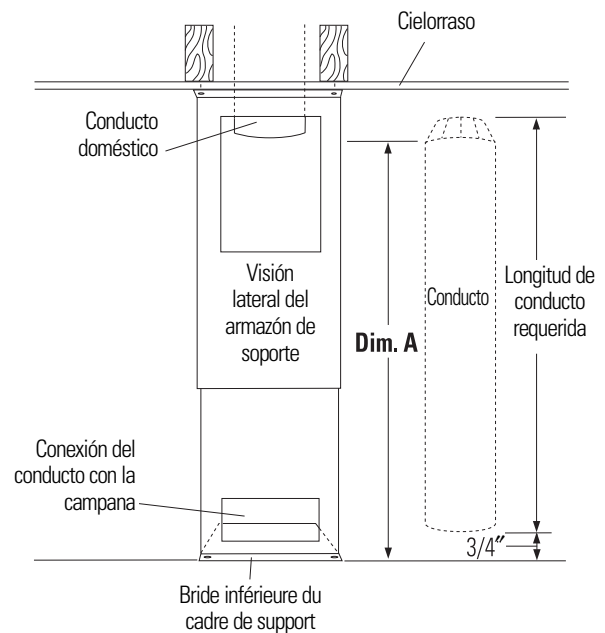
- Dirija el cableado doméstico a través del orificio del cielorraso y calcule la cantidad necesaria para alcanzar la caja de conexiones de la campana.



- Adhiera el cable con cinta al frente del soporte del armazón para evitar daños durante la instalación y servicio.

5 MIDA E INSTALE LOS CONDUCTOS

- Mida desde el conducto doméstico (Dim. A) hasta la parte inferior del armazón de soporte.
- Agregue por lo menos 1" para la superposición de conductos en la parte superior.
- Reste 3/4" para poder introducir la campana en la parte inferior del armazón.
- Corte el conducto de 6" de diámetro con la longitud apropiada.



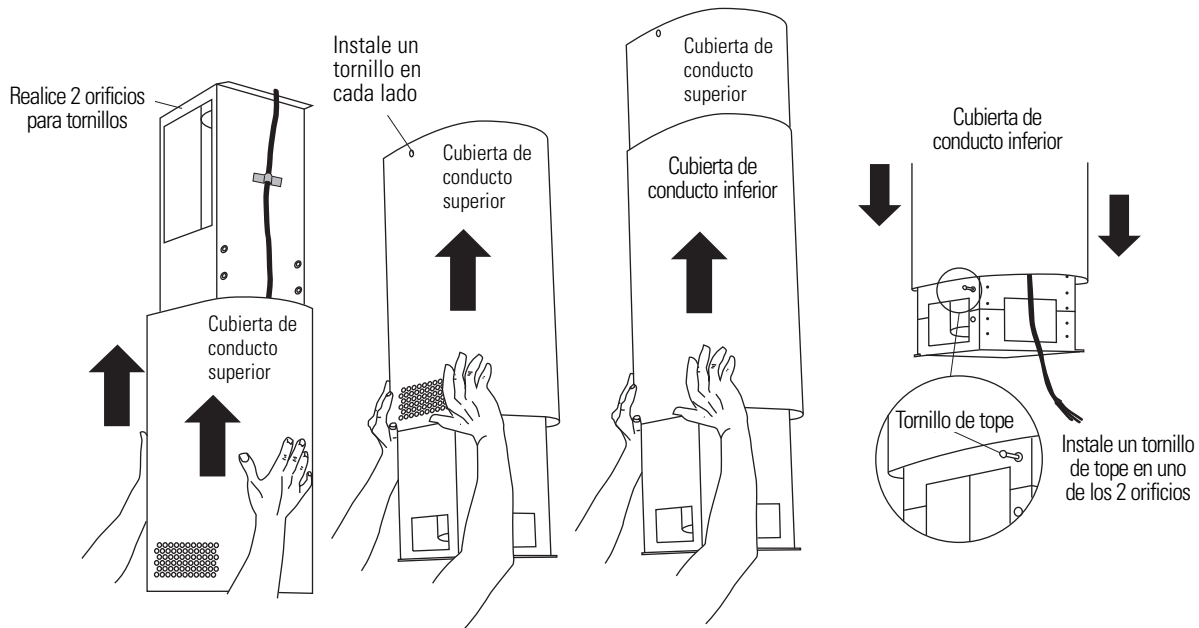
NOTA: El extremo inferior del conducto debe ser un poco abierto para facilitar la instalación de la campana.

- Instale el conducto a través de los armazones de soporte dentro del conducto doméstico. Empuje el conducto hacia arriba hasta que se encuentre a 3/4" desde la parte inferior de la brida del armazón de soporte.
- Fije el conducto a la conexión del conducto doméstico con tornillos y selle con cinta aislante.
- Selle la conexión del conducto con cinta aislante, verificando que la conexión esté bien instalada en su lugar.

Instrucciones de instalación

INSTALACIÓN – VENTILACIÓN HACIA EL EXTERIOR

6 INSTALE LAS CUBIERTAS DE CONDUCTO DECORATIVAS



- Realice un orificio o introduzca un tornillo decorativo en los orificios de tornillos del armazón de soporte. Esto facilitará la instalación de los tornillos.
- Separe las dos cubiertas de conducto decorativas.
- Elija la cubierta interna o superior con el patrón de orificios de ventilación en un extremo.

Para esta instalación con ventilación hacia el exterior, el patrón de orificios debe ubicarse en la parte inferior.

- Ubique los 2 tornillos de cubierta de conducto provistos.
- Deslice la cubierta de conducto decorativa sobre el armazón de soporte y presione hacia el cielorraso.
- Sujete la cubierta de conducto interior al soporte de la campana en la parte superior con los 2 tornillos para cubierta de conducto provistos.
- Ubique el tornillo de tope en la bolsa de piezas.

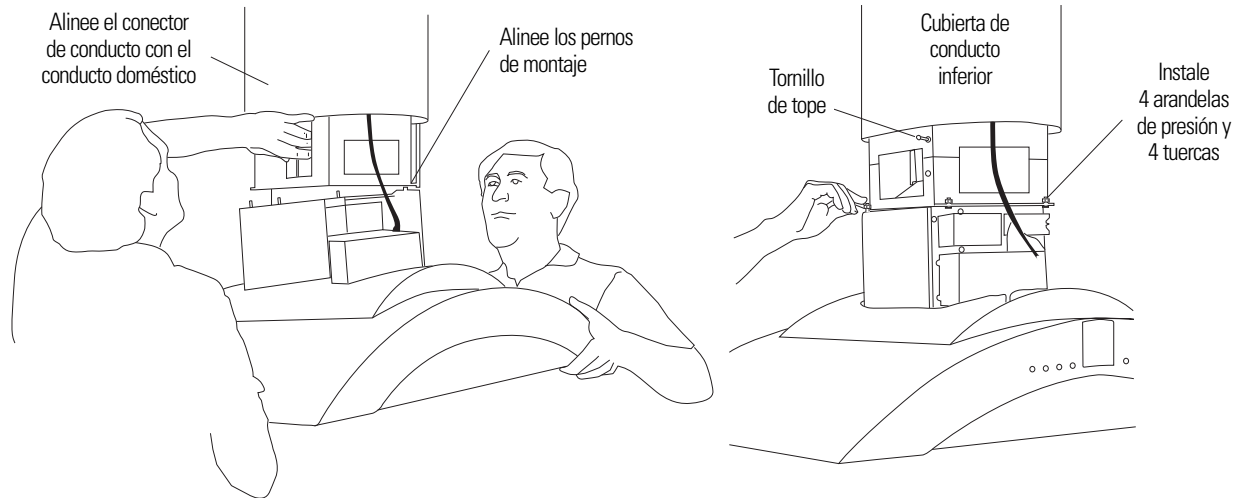
- Instale el tornillo de tope en uno de los dos orificios y ajuste contra el armazón para permitir que la segunda cubierta de conducto se deslice hacia arriba y pase por encima.
- Deslice la cubierta de conducto inferior sobre la cubierta de conducto superior instalada y presione hacia arriba pasando la ubicación de tornillo de tope.
- Tire hacia atrás el tornillo de tope lo suficiente como para sostener la cubierta de conducto inferior y evitar que se deslice hacia abajo sobre la parte superior de la campana.

⚠ PRECAUCIÓN: El tornillo de tope debe instalarse. No hacerlo puede provocar una lesión personal o daños a la cubierta de conducto.

Instrucciones de instalación

INSTALACIÓN – VENTILACIÓN HACIA EL EXTERIOR

7 INSTALE LA CAMPANA



NOTA: ¡SE NECESITAN DOS PERSONAS PARA COMPLETAR ESTA INSTALACIÓN!

- Levante la campana hacia arriba hasta el armazón de soporte. Con cuidado alinee los pernos de montaje de la campana sobre los orificios del armazón de soporte y, al mismo tiempo, guíe el conector del conducto de la campana dentro del conducto.

- Instale 4 tuercas y arandelas de presión. Ajuste con una llave de 10 mm.
- Controle el nivel de la campana en ambas direcciones.
- Selle la conexión del conducto con cinta aislante.

NOTA: No introduzca tornillos a través de esta conexión de conducto. Si lo hace no funcionará bien el regulador de tiro.

8 CONECTE LOS ELEMENTOS ELÉCTRICOS

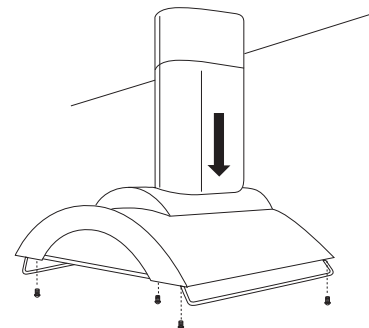
Verifique que la energía esté cortada en la fuente.

⚠ ADVERTENCIA: Si el cableado doméstico no cuenta con un cable de 2 hilos con conexión a tierra, un instalador debe realizar una conexión a tierra. Cuando el cableado doméstico es de aluminio, asegúrese de usar un compuesto antioxidante y conectores de aluminio a cobre aprobados por UL.

- Instale el alivio de tensión en el calado de la tapa de la caja de conexiones.
- Introduzca el cableado doméstico a través del alivio de tensión y ajuste.
- Conecte los cables blancos al cable blanco del circuito derivado.
- Conecte los cables negros al cable negro del circuito derivado.
- Conecte los cables verdes/amarillos al cable verde o pelado con conexión a tierra del circuito derivado.
- Ajuste todas las conexiones con tapones de alambre sobre cada conector eléctrico.
- Empuje los cables dentro de la caja de conexiones y vuelva a colocar la tapa. Verifique que los cables no sufran pellizcos.

9 DESLICE LA CUBIERTA DE CONDUCTO HACIA ABAJO E INSTALE LAS BARRAS DE UTENSILIOS LATERALES

- Deslice la cubierta de conducto inferior hacia arriba y sobre el tornillo de tope.
- Introduzca el tornillo de tope hacia adentro cerca del armazón.
- Deslice la cubierta de conducto inferior hacia abajo contra la parte superior de la campana. La cubierta de conducto debe colocarse dentro del bolsillo de la parte superior de la campana.



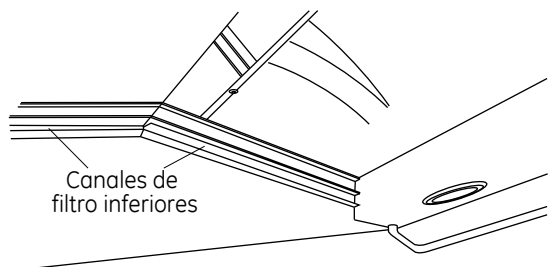
- Instale las barras de utensilios laterales con los tornillos, como se muestra.

Instrucciones de instalación

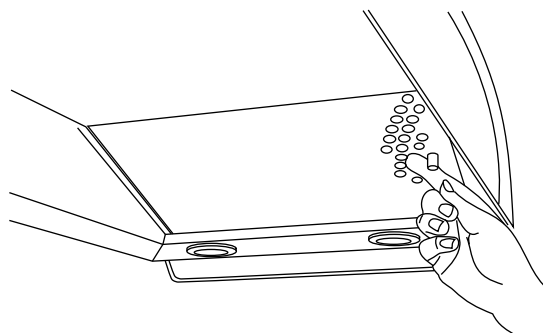
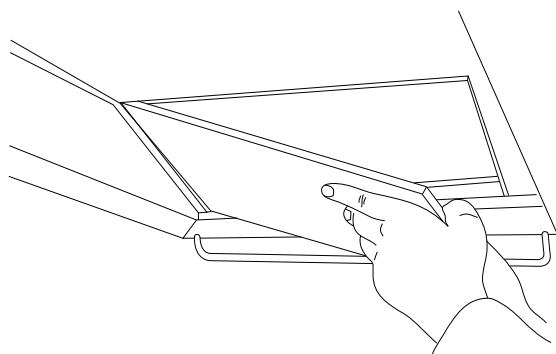
INSTALACIÓN – VENTILACIÓN HACIA EL EXTERIOR

10 INSTALE LOS FILTROS

- Quite la película protectora de los filtros.
- Incline el filtro dentro del **canal inferior** en la parte trasera de la abertura. Presione hacia atrás, levante y tire de la perilla hacia adelante hasta que el filtro se trabe en el canal.



- Instale los tres filtros de grasa metálicos.



- Encienda la energía. Si la luz del filtro del panel de control destella, ajuste el filtro del lado derecho en el canal para enganchar el brazo del interruptor.

11 FINALICE LA INSTALACIÓN

- Quite la película protectora que cubre el panel de control sobre la parte frontal de la campana y cualquier material de empaque restante.
- Asegúrese de que los filtros estén bien colocados y que la luz del filtro no esté encendida.

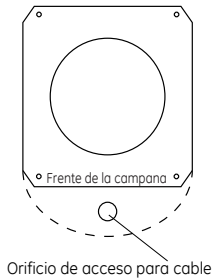
- Verifique que el ventilador y las luces funcionen correctamente. Consulte el Manual del propietario sobre instrucciones operativas y la solución de problemas.

Instrucciones de instalación

INSTALACIÓN – RECIRCULACIÓN

1 INSTALE LA PLANTILLA

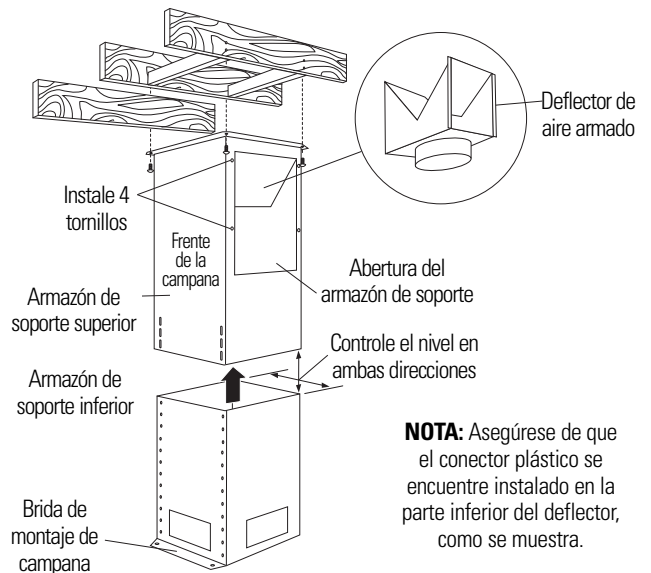
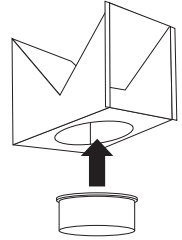
- Alinee la plantilla con las marcas sobre el cielorraso y adhiérala en su lugar con cinta adhesiva.
- Asegúrese de que la plantilla esté bien orientada respecto del frente de la campana.
- Utilice una plomada para asegurar que los orificios de montaje brinden una alineación paralela con el mostrador de encimera de abajo.
- Marque todas las ubicaciones de los orificios con un punzón.
- Perfore orificios piloto en las 4 ubicaciones para tornillos. Utilice una broca de 5/32" y perfore con una profundidad de aproximadamente 1-1/2".
- Corte un orificio de acceso para cable de aproximadamente 1" de diámetro.



2 INSTALE EL DEFLECTOR DE AIRE Y EL ARMazón DE SOPORTE SUPERIOR

El conector del conducto se envía dentro del deflector.

- Quite el conector plástico del deflector. Gírelo. Desde la parte inferior, introduzca el conector sobre la abertura.
- Deslice el deflector armado dentro del armazón de soporte superior y fíjelo con 4 tornillos pequeños.
- Asegure el armazón de soporte superior a las vigas del cielorraso y/o armazón cruzado con los 4 tornillos provistos. Para una mayor rigidez y resistencia, los tornillos deben introducirse en el centro de las vigas y/o en el armazón cruzado.
- Verifique que el armazón de soporte esté nivelado, en forma vertical y horizontal.



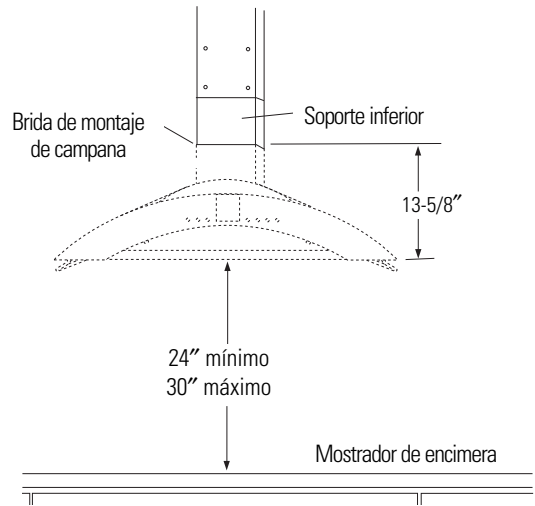
Instrucciones de instalación

INSTALACIÓN – RECIRCULACIÓN

3 INSTALE EL ARMAZÓN DE SOPORTE INFERIOR

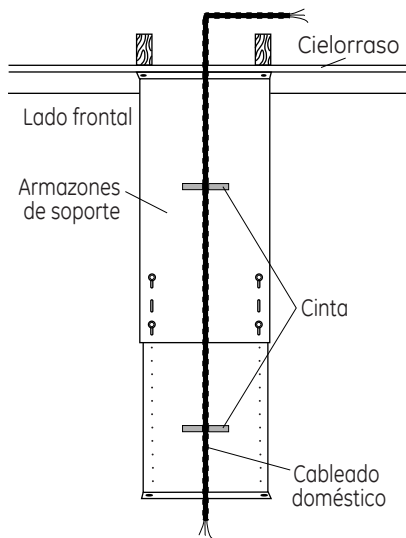
- Introduzca el armazón de soporte inferior en el armazón de soporte superior y coloque los 8 tornillos y arandelas sin ajustar (4 en el frente y 4 en la parte trasera).
- Ajuste el armazón de soporte inferior hacia arriba o abajo hasta alcanzar la altura deseada sobre el mostrador de encimera. Ajuste los tornillos.

IMPORTANTE: Verifique una vez más que el soporte esté nivelado en ambas direcciones. No hay manera de nivelar la campana después de haberla fijado al armazón.



4 FIJE EL CABLEADO

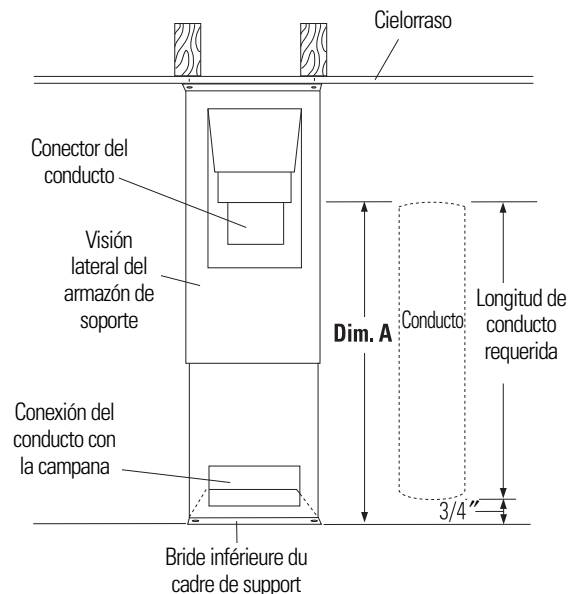
- Dirija el cableado doméstico a través del orificio del cielorraso y calcule la cantidad necesaria para alcanzar la caja de conexiones de la campana.



- Adhiera el cable con cinta al frente del soporte del armazón para evitar daños durante la instalación y servicio.

5 MIDA E INSTALE LOS CONDUCTOS

- Mida desde el conector de conducto superior (Dim. A) hasta la parte inferior del armazón de soporte.
 - Reste 3/4" para poder introducir la campana en la parte inferior del armazón.
- Corte el conducto de 6" de diámetro con la longitud apropiada.



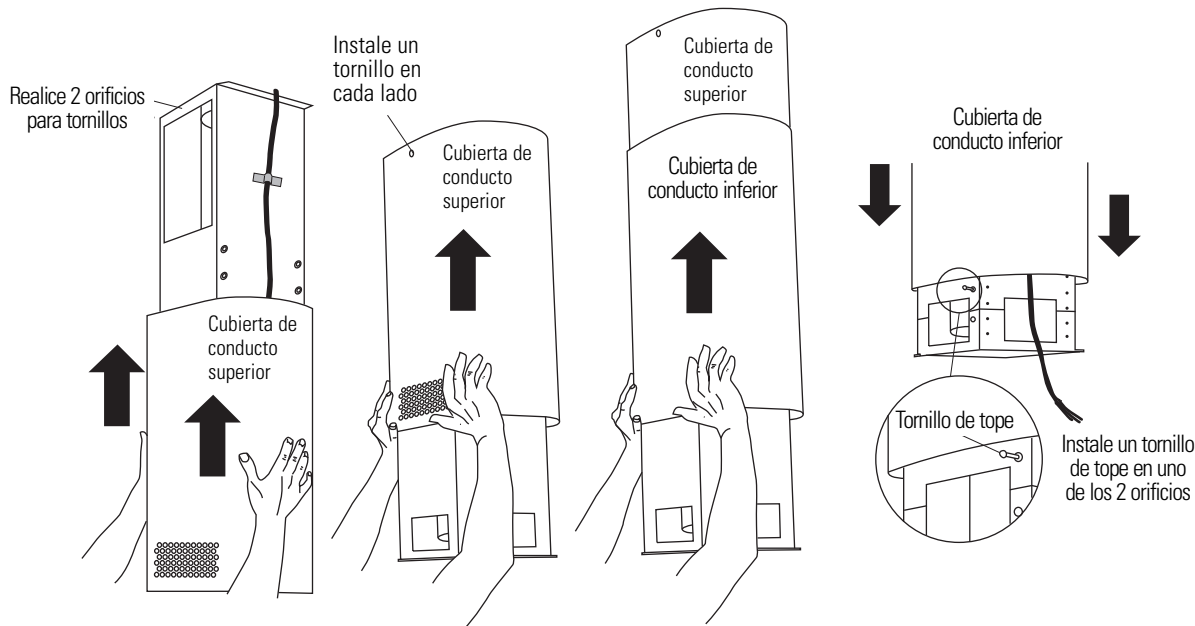
NOTA: El extremo inferior del conducto debe ser un poco abierto para facilitar la instalación de la campana.

- Instale el conducto a través de los armazones de soporte dentro del conector de conductor. Empuje el conducto hacia arriba hasta que se encuentre a 3/4" desde la parte inferior de la brida del armazón de soporte. Ver la ilustración.
- Selle la conexión del conducto con cinta aislante, verificando que la conexión esté bien instalada en su lugar.

Instrucciones de instalación

INSTALACIÓN – RECIRCULACIÓN

6 INSTALE LAS CUBIERTAS DE CONDUCTO DECORATIVAS



- Realice un orificio o introduzca un tornillo decorativo en los orificios de tornillos del armazón de soporte. Esto facilitará la instalación de los tornillos.

- Separe las dos cubiertas de conducto decorativas.

- Elija la cubierta interna o superior con el patrón de orificios de ventilación en un extremo.

Para esta instalación con ventilación hacia el exterior, el patrón de orificios debe ubicarse en la parte inferior.

- Ubique los 2 tornillos de cubierta de conducto provistos.

- Deslice la cubierta de conducto decorativa sobre el armazón de soporte y presione hacia el cielorraso.

- Sujete la cubierta de conducto interior al soporte de la campana en la parte superior con los 2 tornillos para cubierta de conducto provistos.

- Ubique el tornillo de tope en la bolsa de piezas.

- Instale el tornillo de tope en uno de los dos orificios y ajuste contra el armazón para permitir que la segunda cubierta de conducto se deslice hacia arriba y pase por encima.

- Deslice la cubierta de conducto inferior sobre la cubierta de conducto superior instalada y presione hacia arriba pasando la ubicación de tornillo de tope.

- Tire hacia atrás el tornillo de tope lo suficiente como para sostener la cubierta de conducto inferior y evitar que se deslice hacia abajo sobre la parte superior de la campana.

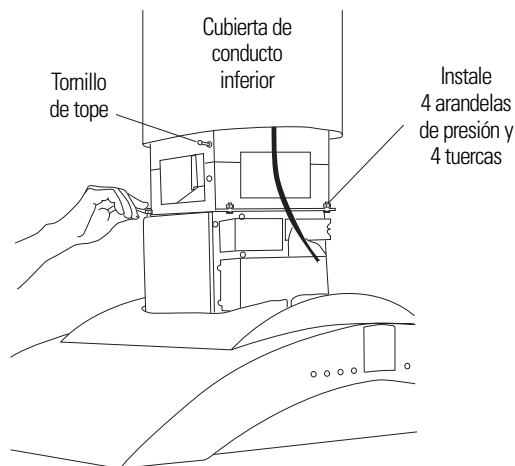
⚠ PRECAUCIÓN: El tornillo de tope debe instalarse. No hacerlo puede provocar una lesión personal o daños a la cubierta de conducto.

Instrucciones de instalación

INSTALACIÓN – RECIRCULACIÓN

Alinee el conector de conducto con el conducto doméstico

Alinee los pernos de montaje



7 INSTALE LA CAMPANA

NOTA: Antes de instalar la campana, pueden quitarse las solapas del regulador de tiro metálico de la parte superior de la salida de la campana. No quite la transición del conducto. No se requiere un regulador de tiro para esta operación de recirculación.

NOTA: ¡SE NECESITAN DOS PERSONAS PARA COMPLETAR ESTA INSTALACIÓN!

- Levante la campana hacia arriba hasta el armazón de soporte. Con cuidado alinee los pernos de montaje de la

campana sobre los orificios del armazón de soporte y, al mismo tiempo, guíe el conector del conducto de la campana dentro del conducto.

- Instale 4 tuercas y arandelas de presión. Ajuste con una llave de 10 mm.
- Controle el nivel de la campana en ambas direcciones.
- Selle la conexión del conducto con cinta aislante.

NOTA: No introduzca tornillos a través de esta conexión de conducto. Hacerlo no permitirá un funcionamiento adecuado del regulador de tiro (si existiera).

8 CONECTE LOS ELEMENTOS ELÉCTRICOS

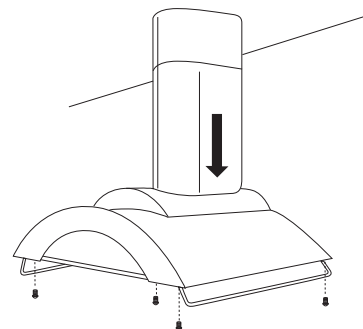
Verifique que la energía esté cortada en la fuente.

⚠ ADVERTENCIA: Si el cableado doméstico no cuenta con un cable de 2 hilos con conexión a tierra, un instalador debe realizar una conexión a tierra. Cuando el cableado doméstico es de aluminio, asegúrese de usar un compuesto antioxidante y conectores de aluminio a cobre aprobados por UL.

- Instale el alivio de tensión en el calado de la tapa de la caja de conexiones.
- Introduzca el cableado doméstico a través del alivio de tensión y ajuste.
- Conecte los cables blancos al cable blanco del circuito derivado.
- Conecte los cables negros al cable negro del circuito derivado.
- Conecte los cables verdes/amarillos al cable verde o pelado con conexión a tierra del circuito derivado.
- Ajuste todas las conexiones con tapones de alambre sobre cada conector eléctrico.
- Empuje los cables dentro de la caja de conexiones y vuelva a colocar la tapa. Verifique que los cables no sufran pellizcos.

9 DESLICE LA CUBIERTA DE CONDUCTO HACIA ABAJO E INSTALE LAS BARRAS DE UTENSILIOS LATERALES

- Deslice la cubierta de conducto inferior hacia arriba y sobre el tornillo de tope.
- Introduzca el tornillo de tope hacia adentro cerca del armazón.
- Deslice la cubierta de conducto inferior hacia abajo contra la parte superior de la campana. La cubierta de conducto debe colocarse dentro del bolsillo de la parte superior de la campana.



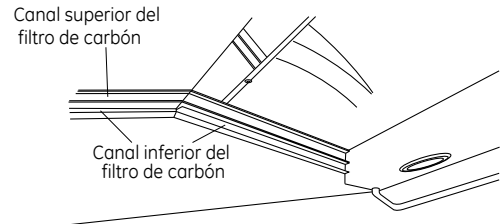
- Instale las barras de utensilios laterales con los tornillos, como se muestra.

Instrucciones de instalación

INSTALACIÓN – RECIRCULACIÓN

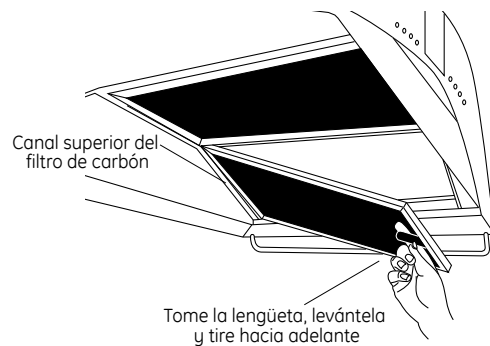
10 INSTALE LOS FILTROS

- Hay dos canales dentro de la parte trasera y frontal de la campana. Estos canales sostienen en su lugar los filtros de carbón y los filtros de grasa de acero inoxidable.



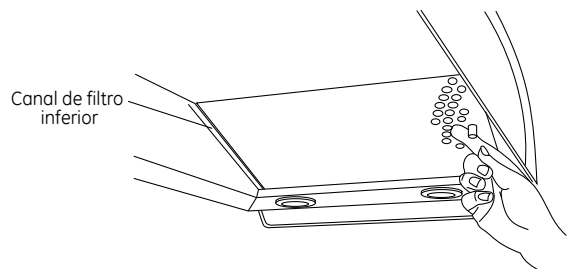
Instale los filtros de carbón

- Quite la película protectora de los filtros de carbón.
- Incline los filtros de carbón dentro de los **canales superiores** en la parte trasera de la abertura. Tome la lengüeta del filtro, levántela y tire hacia adelante hasta que quede trabada en el canal frontal superior.
- Instale los 3 filtros de carbón.



Instale los filtros de grasa

- Quite la película protectora de los filtros de grasa.
- Incline el filtro de grasa dentro del canal inferior en la parte trasera de la abertura. Presione hacia atrás, levante y tire de la perilla hacia adelante hasta que el filtro se traben en el canal.
- Instale los 3 filtros de grasa.
- Para quitar los filtros, tome la perilla, presione el filtro hacia la parte trasera e incline hacia abajo. Tome las lengüetas de los filtros de carbón, presione hacia la parte trasera e incline hacia abajo.
- Encienda la energía. Si la luz del filtro del panel de control destella, ajuste el filtro del lado derecho en el canal para enganchar el brazo del interruptor.



11 FINALICE LA INSTALACIÓN

- Quite la película protectora que cubre el panel de control sobre la parte frontal de la campana y cualquier material de empaque restante.
- Asegúrese de que los filtros estén bien colocados y que la luz del filtro no esté encendida.
- Verifique que el ventilador y las luces funcionen correctamente. Consulte el Manual del propietario sobre instrucciones operativas y la solución de problemas.

Notas

NOTE: While performing installations described in this book, safety glasses or goggles should be worn.

For Monogram® local service in your area, call 1.800.444.1845.

NOTE: Product improvement is a continuing endeavor at General Electric. Therefore, materials, appearance and specifications are subject to change without notice.

NOTE : Il est recommandé de porter des lunettes de sécurité ou des lunettes étanches lors de l'installation de cet appareil.

Pour les services locaux Monogram® dans votre secteur, appelez le 1.800.444.1845.

NOTE : Au sein de General Electrics, nous nous efforçons toujours d'améliorer nos produits. Ainsi, les matériaux, l'aspect et les spécifications peuvent être modifiés sans préavis.

NOTA: Mientras efectúa las instalaciones descriptas en este libro, deben utilizarse gafas o lentes de seguridad.

Para servicio técnico local Monogram® en su área, llame al 1.800.444.1845.

NOTA: La mejora de los productos es un esfuerzo continuo para General Electric. Por lo tanto, los materiales, la apariencia y las especificaciones pueden sufrir cambios sin previo aviso.

