



INSTALLATION INSTRUCTIONS

with Design Guide
36" Built-In All-Refrigerators
and All-Freezers

Pour obtenir une version française de ce manuel d'instructions,
visitez notre site monogram.com.
Para consultar una versión en español de este manual de instrucciones,
visite nuestro sitio de internet monogram.com.

Safety Information

BEFORE YOU BEGIN

Read these instructions completely and carefully.

- **IMPORTANT** – Save these instructions for local inspector’s use. Observe all governing codes and ordinances.
- **Note to Installer** – Be sure to leave these instructions with the Consumer.
- **Note to Consumer** – Keep these instructions with your Owner’s Manual for future reference.

If you received a damaged unit, you should immediately contact your dealer or builder.

Skill Level – Installation of this unit requires basic mechanical, carpentry and plumbing skills. Proper installation is the responsibility of the installer. Product failure due to improper installation is not covered under the Monogram Warranty. See the Owner’s Manual for warranty information.

⚠ WARNING **Electrical Shock Hazard.**

Plug into a grounded 3-prong outlet.
Do not remove the ground prong.
Do not use an adapter.
Immediately discontinue use of a damaged supply cord. If the supply cord is damaged it must be replaced by a qualified service professional with an authorized service part from the manufacturer.

Do not use an extension cord with this appliance. Failure to follow these instructions can result in death, fire, or electrical shock.
Follow the instructions in the section Grounding the unit. This appliance must be installed with a means in the fixed house wiring or circuit breaker for disconnecting the appliance from the electrical supply after installation.

⚠ WARNING **Tip Over Hazard.**

These appliances are top heavy, especially with any doors open, and must be secured to prevent tipping forward which could result in death or serious injury. Read and follow the entire installation instructions for securing the appliance with the anti-tip system.

⚠ WARNING **Fire or Explosion Hazard.**

Keep flammable materials and vapors away from appliance. Failure to do so can result in fire, explosion, or death.

⚠ WARNING To reduce the risk associated with choking, do not allow children under 3 years of age to have access to small parts during the installation of this product.

⚠ CAUTION **Lifting Hazard**

This unit is very heavy. To reduce the risk of person injury during maneuvering and installing this appliance, 3 people are required for proper installation.

⚠ CAUTION Keep fingers out of the “pinch point” areas; clearances between the doors and between the doors and cabinet are necessarily small. Be careful closing doors when children are in the area.

For Monogram local service in your area visit monogram.com.
For Monogram service in Canada, visit monogram.ca
For Monogram Parts and Accessories, visit monogram.com.

Consignes de sécurité

AVANT DE COMMENCER

Veillez lire toutes ces instructions attentivement.

- **IMPORTANT** — Conservez ces instructions à l'usage de l'inspecteur local. Observez tous les codes et décrets en vigueur.
- **Note à l'installateur** — Assurez-vous de laisser ces instructions au consommateur.
- **Note au consommateur** - Conservez ces instructions avec votre manuel d'utilisation pour consultation ultérieure.

Si vous avez reçu un appareil endommagé, veuillez communiquer immédiatement avec votre revendeur ou votre entrepreneur.

Niveau de compétence — L'installation de cet appareil exige des compétences de base en mécanique, menuiserie et plomberie. La responsabilité d'une installation adéquate relève de l'installateur. La garantie Monogram ne couvre pas les défauts du produit causés par une installation inadéquate. Consultez le manuel d'utilisation pour des renseignements sur la garantie.

⚠ AVERTISSEMENT



Risque d'électrocution.

Branchez l'appareil dans une prise à 3 broches mise à la terre. N'enlevez pas la broche de mise à la terre. N'utilisez pas un adaptateur.

Cessez immédiatement l'utilisation d'un cordon électrique endommagé. Si le cordon électrique est endommagé, son remplacement doit être exécuté par un technicien en réparation qualifié au moyen d'un cordon de rechange autorisé par le fabricant.

N'utilisez pas un cordon de rallonge avec cet électroménager.

Le non-respect de ces instructions peut occasionner un décès, un incendie ou un choc électrique.

Suivez les instructions de la section Mise à la terre de l'appareil.

Le circuit électrique auquel cet électroménager sera raccordé doit comporter un disjoncteur ou un autre dispositif permettant de couper l'alimentation électrique à l'appareil après l'installation.

⚠ AVERTISSEMENT



Risque de basculement.

Ces électroménagers sont lourds du haut, notamment lorsqu'une porte est ouverte, de sorte qu'ils doivent être fixés pour prévenir un basculement vers l'avant susceptible d'occasionner des blessures graves ou la mort. Lisez et observez la totalité des instructions d'installation pour connaître la façon de fixer l'électroménager sur le dispositif antibasculement.

⚠ AVERTISSEMENT



Risque d'incendie ou d'explosion.

Gardez les matières et les vapeurs inflammables à distance de l'électroménager. L'omission de prendre cette précaution peut entraîner un incendie, une explosion ou la mort.

⚠ AVERTISSEMENT

Pour réduire le risque d'étouffement pendant l'installation de ce produit, ne pas laisser les petites pièces à la portée des enfants âgés de moins de 3 ans.

⚠ AVERTISSEMENT

Risque lié à la manipulation d'un objet lourd

Cet appareil est très lourd. Afin de réduire le risque de blessure pendant la manipulation et l'installation de cet électroménager, la participation de 3 personnes est nécessaire à l'exécution d'une installation correcte.

⚠ AVERTISSEMENT

Gardez vos doigts éloignés des points de pincement. Les espaces entre les portes et ceux entre les portes et l'armoire sont particulièrement restreints. Soyez prudent lorsque vous fermez les portes en présence d'enfants.

Pour joindre le service Monogram de votre région, visitez monogram.com.

Pour le service Monogram au Canada, visitez monogram.ca.

Pour le service des Pièces et accessoires Monogram, visitez monogram.com.

Información de seguridad

ANTES DE COMENZAR

Lea estas instrucciones en su totalidad y atentamente.

- **IMPORTANTE** – Conserve estas instrucciones para uso del inspector local. Cumpla con todos los códigos y ordenanzas gubernamentales.
- **Nota para el Instalador** – Asegúrese de que el Comprador conserve estas instrucciones.
- **Nota para el Consumidor** – Guarde estas instrucciones con su Manual del Propietario para referencia futura.

Si la unidad que recibió está dañada, se deberá comunicar de inmediato con su vendedor o fabricante.

Nivel de habilidad – La instalación de esta unidad requiere un nivel básico de habilidades mecánicas, de carpintería y plomería. La correcta instalación del producto es responsabilidad del instalador. Si se producen fallas en el producto debido a una instalación inadecuada, la Garantía de Monogram no cubrirá las mismas. Para obtener información sobre la garantía, consulte el Manual del Propietario.

⚠ ADVERTENCIA



Riesgo de Descarga Eléctrica

Enchufe en un tomacorriente con conexión a tierra de 3 cables.

No elimine el cable de conexión a tierra.

No use un adaptador.

Inmediatamente interrumpa el uso de un cable de suministro de corriente dañado. Si el cable de corriente se encuentra dañado, su reemplazo deberá ser realizado por un profesional calificado del servicio técnico, utilizando una pieza del servicio técnico autorizada por el fabricante.

No use prolongadores con este electrodoméstico.

Si no se siguen estas instrucciones, se podrá producir la muerte, incendios o descargas eléctricas.

Siga las instrucciones que figuran en la sección de Conexión de Tierra de la unidad.

Este electrodoméstico deberá ser instalado por algún medio en el cableado fijo del hogar o en un disyuntor para desconectar el electrodoméstico del suministro eléctrico luego de la instalación.

⚠ ADVERTENCIA



Riesgo de Caída

Estos electrodomésticos son inestables, especialmente cuando una puerta se encuentre abierta, y deben estar asegurados a fin de evitar caídas hacia adelante que podrían resultar en la muerte o en lesiones graves. Lea y siga las instrucciones de instalación en su totalidad para asegurar el electrodoméstico con el sistema antivoltaduras.

⚠ ADVERTENCIA



Riesgo de Incendio o Explosión

Mantenga cualquier material y vapores inflamables alejados del electrodoméstico. Si no se cumple con esto, se podrá producir una explosión, un incendio o la muerte.

⚠ ADVERTENCIA

A fin de reducir el riesgo asociado con descargas, no permita que los niños menores de 3 años de edad tengan acceso a las partes pequeñas durante la instalación de este producto.

⚠ PRECAUCIÓN

Riesgo al levantar la puerta

Esta unidad es muy pesada. A fin de reducir el riesgo de lesión de una persona al maniobrar e instalar este electrodoméstico, se requiere contar con 3 personas para una correcta instalación.

⚠ PRECAUCIÓN

Mantenga los dedos fuera de los espacios de “riesgo de lastimaduras”; los espacios entre las puertas y entre las puertas y el gabinete son necesariamente pequeños. Tenga el cuidado de cerrar las puertas cuando los niños se encuentren en el área.

Para acceder al servicio local de Monogram en su área, visite monogram.com.

Para acceder al servicio de Monogram en Canadá, visite monogram.ca.

Para acceder a Piezas y Accesorios de Monogram, visite monogram.com.

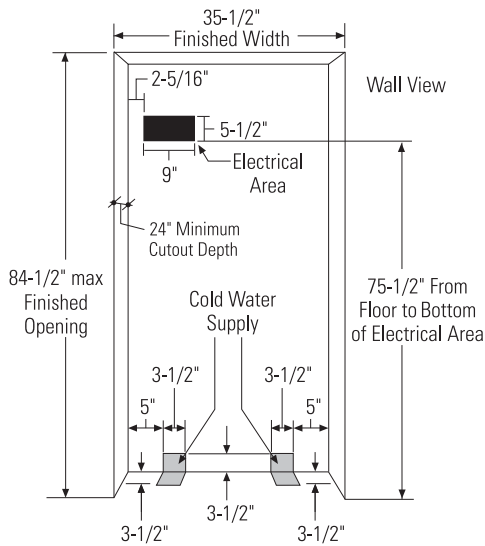
Contents

Safety	2	Instructions for Flush Installation	23
Instructions for Standard Installation	6	Instructions for Stainless Steel Installation	24
Planning Guide		Planning Guide	
The Installation Space	7	The Installation Space	25
Dimensions and Clearances	7	Dimensions and Clearances	25
Customization Basics	9	Customization Basics	27
Refrigerator Location	9	Refrigerator Location	27
1/4" Framed Panel Dimensions	10	Optional Accessory Kits	27
3/4" Overlay Panel Dimensions	10	130° Door Swing	28
Side Panels	11		
ZKBFN720NII Grille Panel Dimensions	11	Installation Instructions	
130° Door Swing	12	Tools, Hardware, Materials	29
Installation Instructions		Grounding the Unit	29
Tools, Hardware, Materials	13	Step 1. Remove Packaging	30
Grounding the Unit	13	Step 2. Install Water Line	30
Step 1. Remove Packaging	14	Step 3. Install Side Panels	31
Step 2. Install Water Line	14	Step 4. Anti-Tip Bracket	31
Step 3. Install Side Panels	15	Step 5. Level Unit	33
Step 4. Anti-Tip Procedures	15	Step 6, Secure Unit to Wall	33
Step 5. Level Unit	18	Step 7. Adjust Door Swing	34
Step 6, Secure Unit to Wall	18	Step 8. Connect Water Supply	34
Step 7. Adjust Door Swing	19	Step 9. Start Icemaker	35
Step 8. Install Grille Panel	19	Step 10. Install Toekick	35
Step 9. Install Framed Panels	20		
Step 9A. Install Overlay Panels	20		
Step 10. Connect Water Supply	21		
Step 11. Start Icemaker	22		
Step 12. Install Toekick	22		

Instructions for Standard Installation

Design Guide - Standard Installation

THE INSTALLATION SPACE



Water And Electrical Locations

Electrical and water supply must be located as shown.

The Cutout Depth Must Be 24" (60.96 cm) Minimum

The unit will project forward, slightly beyond adjacent cabinetry, depending on your installation.

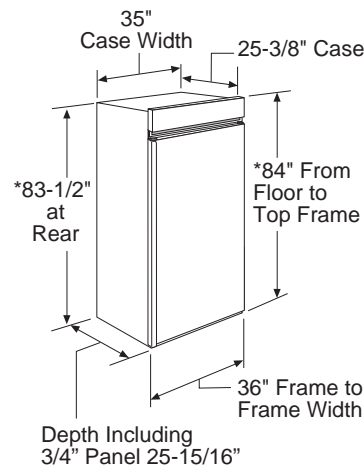
Cutout Depth Beneath a Soffit:

When installed beneath a soffit, the soffit cannot exceed the 24" (60.96 cm) installation depth shown. The top case trim overlaps the bottom of the soffit.

Additional Specifications

- A 115 volt 60Hz., 15 or 20 amp power supply is required. An individual properly grounded branch circuit or circuit breaker is recommended. Install a properly grounded 3-prong electrical receptacle recessed into the back wall. Electrical must be located on rear wall as shown.
- Water line can enter the opening through the floor or back wall. The water line should be 1/4" O.D. copper tubing or QuickConnect™ kit between the cold water line and water connection location, long enough to extend to the front of the unit. Installation of an easily accessible shut-off valve in the water line is required.

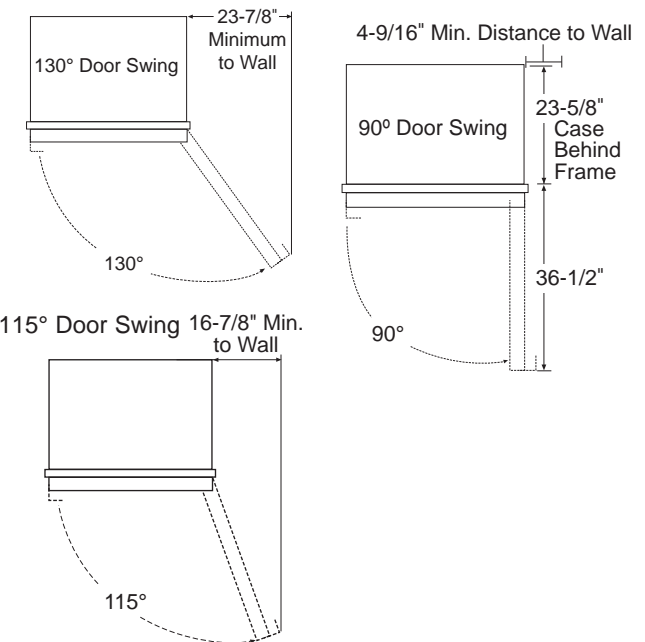
DIMENSIONS AND CLEARANCES



* Shipping height. The product can be adjusted to fit into a cutout that is 84-1/2" (214.63 cm) max. height. Note that the top case trim at the front is 1/2" (1.27 cm) higher and will overlap upper cabinetry or soffit. Use leveling legs and wheels for a maximum 1" (2.54 cm) height adjustment.

Product Clearances

These units are equipped with a 3-position door stop. The factory set 115° door swing can be adjusted to 90° if clearance to adjacent cabinets or walls is restricted. Order WX14X99 door stop for precise settings between 90° and 130°.



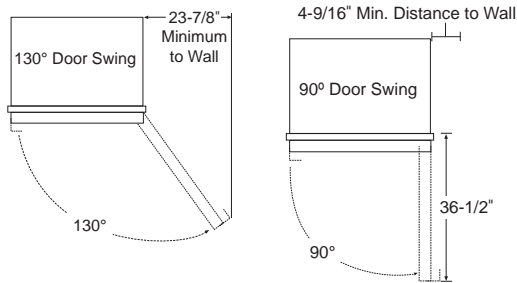
Allow 23-7/8" (60.64 cm) minimum clearance for a full 130° door swing. Allow 15" (38.1cm) for pan removal.

For a 90° door swing, allow 4-9/16" min. (11.59 cm) minimum clearance to a wall. If the 90° doorstop position is used, pan access is maintained but pan removal is restricted.

See illustration on page 12 to determine door swing interaction with adjacent cabinets or countertops.

Design Guide - Standard Installation

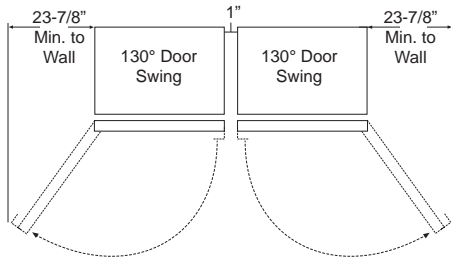
CLEARANCES



These units are equipped with a 3-position door stop. The factory set 115° door swing can be adjusted to 90° or 130° if clearance to adjacent cabinets or walls is restricted. Order WX14X99 door stop for precise settings between 90° and 130°.

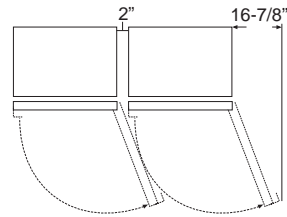
When Installed into a corner:

Allow 23-7/8" (60.64 cm) for a full 130° door swing. Allow 15" (38.1cm) for pan removal. Allow 4-9/16" (11.59 cm) min. clearance when door swing is adjusted to a 90° opening for pan access, but pan removal is restricted.



Clearances for Multiple Single Door Installations

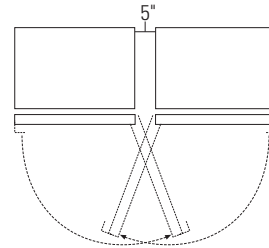
In a side-by-side installation of a left and right door swing product, a 1" (2.54 cm) clearance between the units is required. Order a ZKBSN720NSS Unification Kit for an integrated appearance on 2 stainless steel models installed side-by-side. Order a ZKBFN720NII Unification Kit for an integrated appearance on 2 custom panel models installed side-by-side.



Clearances for two products installed side-by-side with the same (left or right) door swing

Allow 2" (5.08 cm) minimum clearance between the products to prevent door swing interference. Order the WX14X99 adjustable door stop to reduce the factory set 115° door swing. Allow 16-7/8" (42.86 cm) minimum to a wall to achieve full drawer extension and pan removal.

NOTE: ZKBSN720NSS and ZKBFN720NII Unification Kit will **NOT** fit this installation.



Clearances for two products installed side-by-side with right and left side hinges together

Allow 5" (12.7 cm) minimum between the two products to prevent one door from striking the other. Use the WX14X99 adjustable door stop to reduce the factory set 115° door swing and to allow pan removal.

NOTE: ZKBSN720NSS and ZKBFN720NII Unification Kit will **NOT** fit this installation.

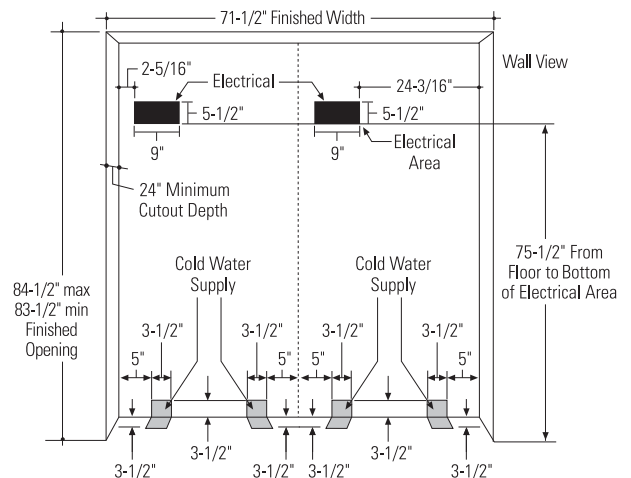
INSTALLATION

ZKBSN720NSS, ZKBFN720NII Unification Kit

• If you are installing two units, side by side, the installation space must be 71-1/2" (181.61 cm) wide.

NOTE: Additional cutout width may be required when side panels are used. Add side panel thickness to the finished cutout to calculate rough-in width.

- The water and electrical locations for each product must be located as shown.
- A separate 115V, 60Hz., 15 or 20 amp power supply is recommended for each product.



Design Guide - Standard Installation

CUSTOMIZATION BASICS:

Framed or Overlay Panels, Custom Handles and Accessory Kits

Trimmed models are designed to be customized with decorative panels. Field installed custom door and grille panels are required.

OPTIONAL ACCESSORY KITS

- **ZKBFN720NII:** Unification kit for an integrated appearance on 2 custom panel models installed side-by-side.
- **ZKLN:** Visor handle kit for use on custom panel models in a standard installation.

REFRIGERATOR LOCATION

- Do not install the refrigerator where the temperature will go below 55°F (13°C). It will not run often enough to maintain proper temperatures.
- Do not install the refrigerator where temperatures will go above 100°F (37°C). It will not perform properly.
- Do not install the refrigerator in a location exposed to water (rain, etc.) or direct sunlight.
- Install it on a floor strong enough to support it fully loaded.

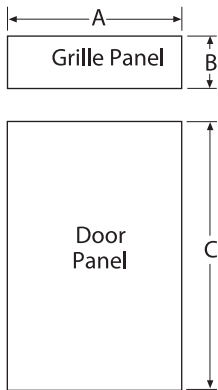
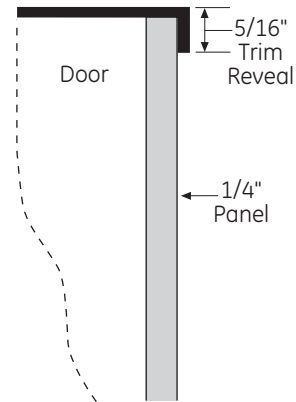
Design Guide - Standard Installation

1/4" (0.63 cm) FRAMED PANEL DIMENSIONS

If you choose to install framed panels, they must be cut to the dimensions shown. The panels will slide into the frame on the door and grille.

If the custom panel is less than 1/4" (0.63 cm) thick and if it fits loosely in the door frame, it can be backed up with a piece of filler material or foam tape to improve the fit.

IMPORTANT NOTE: Maximum weight for door panel is 67 pounds (30 kg). Maximum total weight for assembled grille panel is 11 pounds (5 kg).



Framed Panel Dimensions			
1/4" (0.63 cm) Framed Panel	A (Width) 33-7/8" (86.04 cm)	B (Grille Height) 8-7/8" (22.54 cm)	C (Door Height) 69-5/16" (176.05 cm)
Overlay Panel Dimensions			
1/4" (0.63 cm) Backer Panel	A (Width) 33-7/8" (86.04 cm)	B (Grille Height) 8-7/8" (22.54 cm)	C (Door Height) 69-5/16" (176.05 cm)
0.10" (0.25 cm) Spacer Panel	32-1/2" (82.55 cm)	7-5/8" (20 cm)	67-15/16" (172.56 cm)
3/4" (1.9 cm) Overlay Panel	34-1/8" (96.67 cm)	9" (22.86 cm)	69-9/16" (176.69 cm)

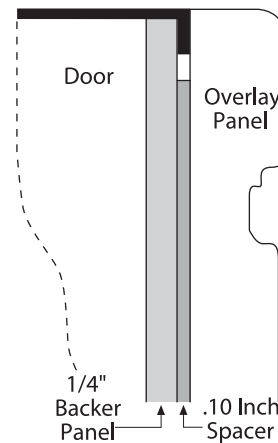
3/4" (1.9 cm) OVERLAY PANEL DIMENSIONS

For a more custom appearance, overlay panels may be installed on trimmed models. The overlay panel must be secured to a 1/4" (0.63 cm) thick backer panel which slides into the trim. A spacer panel 0.10" (0.25 cm) thick must be placed between the overlay and backer panel.

IMPORTANT NOTE: Maximum total weight for assembled door panel is 67 pounds (30.39 kg). Maximum total weight for assembled grille panel is 11 pounds (4.99 kg).

Assemble the panels with glue and screws.

- Center the spacer panel on the backer panel, left to right and top to bottom. Secure the panels with glue.
- Center the spacer and backer panel on the overlay panel and secure with glue and screws. Screws must be countersunk into the backer panel.



NOTE: Left-to-right offset is not always equal to top-to-bottom offset.

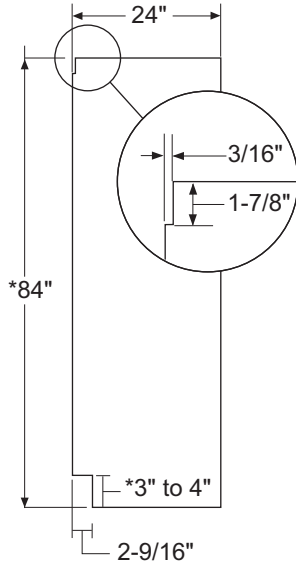
Design Guide - Standard Installation

SIDE PANELS

Side panels must be used whenever the sides of the unit will be exposed. The 1/4" (0.63 cm) side panels will slip into the side case trim. Secure the panels to the unit with stick-on hook and loop fastener strips. Order the side panels from the cabinet manufacturer.

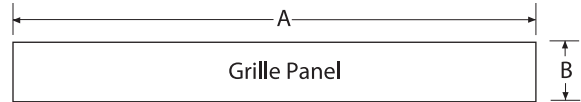
- Cut a notch in the top front corner as shown to allow clearance for corner keys in the front side trim.

* Depending on installation height.



ZKBFN720NII GRILLE PANEL DIMENSIONS

The ZKBFN720NII Unification Kit provides for the installation of a framed or overlay grille panel.



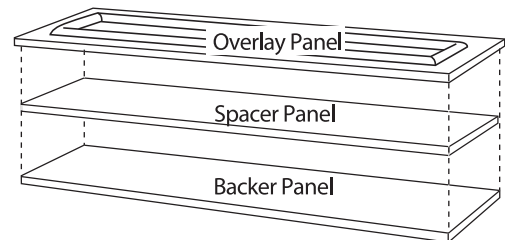
Framed Panel Dimensions

1/4" (0.63 cm)	A (Width)	B (Height)
Framed Panel	69-7/8" (177.48 cm)	8-7/8" (22.54 cm)

Overlay Panel Dimensions

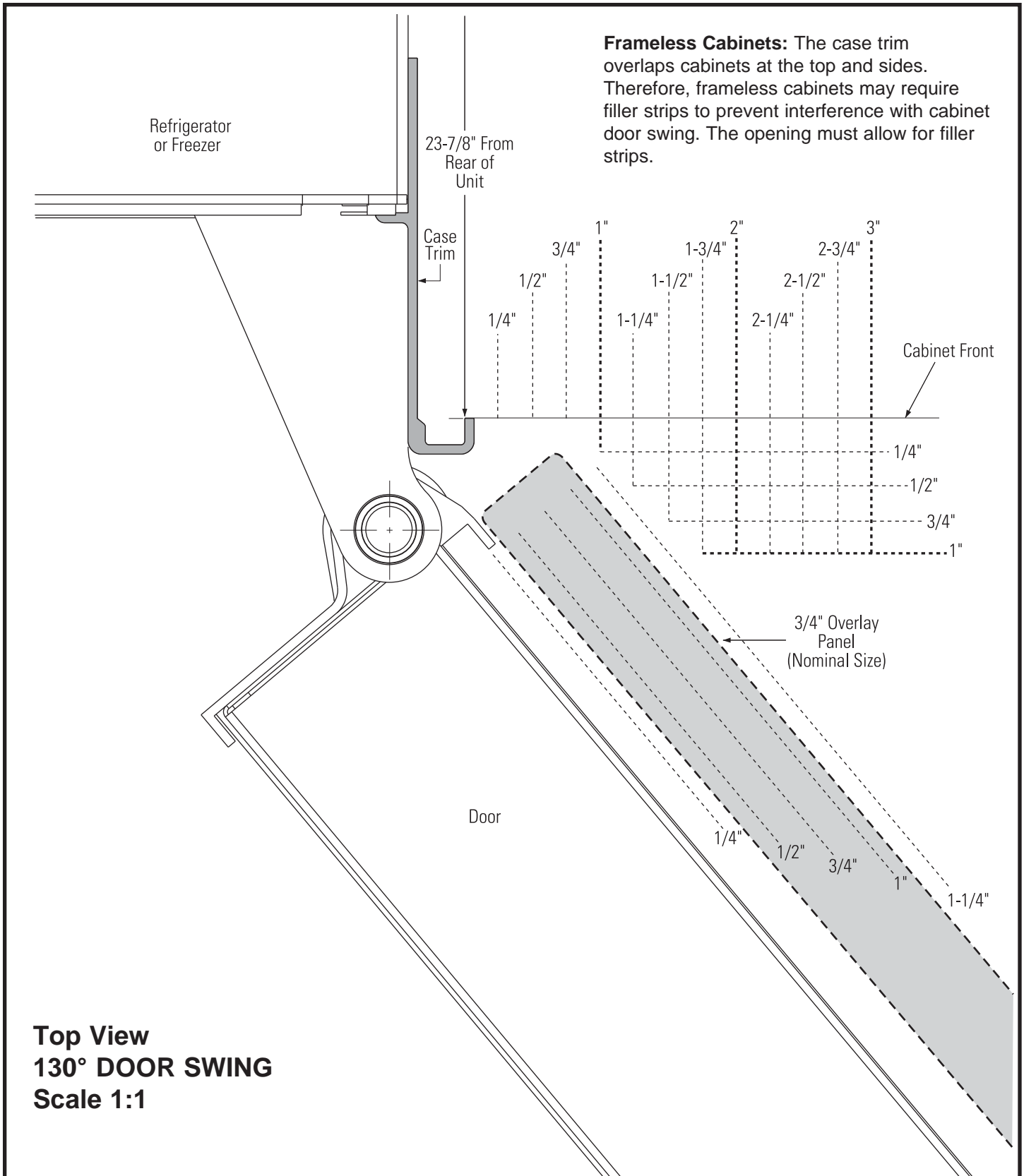
1/4" (0.63 cm)	A (Width)	B (Grille Height)
Backer Panel	69-7/8" (177.48cm)	8-7/8" (22.54 cm)
0.10" (0.25 cm)	68-1/2" (97.79 cm)	7-5/8" (20 cm)
Spacer Panel		
3/4" (1.9 cm)	70-1/8" (178.12 cm)	9" (22.86 cm)
Overlay Panel		

IMPORTANT NOTE: The maximum weight for the unified grill is 25 pounds (11.24 kg).



Assemble the overlay panels in the same manner as the door panel.

Design Guide - Standard Installation



Installation Instructions - Standard Installation

TOOLS AND MATERIALS REQUIRED

- Tin snips to cut banding
- #2 Phillips screwdriver
- Stepladder
- Drill and 1/2", 3/16" bits
- Bucket
- 1/4", 1/2", 5/16", 7/16" socket
- Level
- Safety glasses
- Appliance hand truck
- Pliers
- Tubing cutter
- Stud finder
- 7/16" and 1-1/4" open-end wrench
- 1/4" copper water line tubing or SmartConnect™ Refrigerator Tubing kits
- Water shut-off valve (optional but recommended)
- Custom panels for door and grille panel
- Screws to secure unit to cabinetry
- Stick-on hook and loop fastener strips for 1/4" (0.63 cm) side panels

HARDWARE SUPPLIED

- Water filter bypass plug
- Anti-Tip brackets
- 3 lag screws
- 2 Hair Pin Cotter
- 4 washers
- 5 toggles with bolts
- Toekick

FLOORING

For proper installation, this product must be placed on a level surface of hard material that is at the same height as the rest of the flooring. This surface should be strong enough to support a fully loaded refrigerator or freezer, or approximately 1,200 lbs. per unit.

NOTE: Protect the finish of the flooring. Cut a large section of the cardboard carton and place under the product where you are working.

NOTE: Not recommended for installation on carpeted flooring.

GROUNDING THE UNIT

⚠ WARNING **Electrical Shock Hazard.**

Failure to follow these instructions can result in death, fire, or electrical shock.

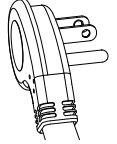
The power cord of this appliance is equipped with a 3-prong (grounding) plug which mates with a standard 3-prong (grounding) wall receptacle to minimize the possibility of electric shock hazard from this appliance. Have the wall outlet and circuit checked by a qualified electrician to make sure the outlet is properly grounded.

GROUNDING THE UNIT (Cont.)

Where a standard 2-prong wall outlet is encountered, it is your personal responsibility and obligation to have it replaced with a properly grounded 3-prong wall outlet. **DO NOT, UNDER ANY CIRCUMSTANCES, CUT OR REMOVE THE THIRD (GROUND) PRONG FROM THE POWER CORD.**

DO NOT USE AN ADAPTER PLUG TO CONNECT THE REFRIGERATOR TO A 2-PRONG OUTLET.

DO NOT USE AN EXTENSION CORD WITH THIS APPLIANCE.



LA TERRE DE L'UNITÉ

⚠ AVERTISSEMENT **Risque de choc électrique.**

Le non-respect de ces instructions peut entraîner des risques d'incendies, des chocs électriques ou la mort.

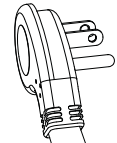
Le cordon d'alimentation de cet appareil est équipé d'une fiche à trois broches (pour une mise à la terre) qui s'adapte à la prise de courant standard à 3 broches (pour une mise à la terre) pour minimiser les risques de chocs électriques par cet appareil.

Faites vérifier la prise murale et le circuit électrique par un électricien qualifié pour s'assurer que le système est correctement mis à la terre.

Dans le cas d'une prise biphasée, l'installateur a la responsabilité et l'obligation de la remplacer par une prise triphasée correctement mise à la terre.

NE COUPEZ PAS OU N'ENLEVEZ PAS, SOUS AUCUN PRÉTEXTE, LA TROISIÈME BROCHE DE MISE À LA TERRE DU CORDON D'ALIMENTATION.

N'UTILISEZ PAS D'ADAPTATEUR POUR BRANCHER LE RÉFRIGÉRATEUR À UNE PRISE BIPHASÉE. N'UTILISEZ PAS DE RALLONGE AVEC CET APPAREIL.



CONEXIÓN A TIERRA DE LA UNIDAD

⚠ ADVERTENCIA **Riesgo de Descarga Eléctrica**

Si no se siguen estas instrucciones, se podrá producir la muerte, incendios o descargas eléctricas.

El cable de corriente de este electrodoméstico cuenta con un enchufe de 3 cables (conexión a tierra) que se conecta a un tomacorriente de pared estándar de 3 cables (conexión a tierra) para minimizar el riesgo de posibles descargas eléctricas por parte del mismo.

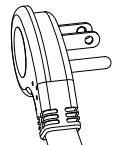
Contrate a un electricista calificado para que controle el tomacorriente y el circuito eléctrico, a fin de asegurar que el enchufe esté correctamente conectado a tierra.

En caso de contar con un tomacorriente de pared de 2 cables, es su responsabilidad y obligación reemplazarlo por un tomacorriente de pared de 3 cables correctamente conectado a tierra.

NUNCA, BAJO NINGUNA CIRCUNSTANCIA, CORTE NI ELIMINE EL TERCER CABLE (TIERRA) DEL CABLE DE CORRIENTE.

NO USE UN ENCHUFE ADAPTADOR PARA CONECTAR EL REFRIGERADOR A UN TOMACORRIENTE DE 2 PATAS.

NO USE UN PROLONGADOR CON ESTE ELECTRODOMÉSTICO.



Installation Instructions - Standard Installation

STEP 1 REMOVE PACKAGING

⚠ WARNING



Tip Over Hazard.

Product is much heavier at the top than at the bottom – be careful when moving. When using a hand truck, handle from side only.

⚠ AVERTISSEMENT



Risque de

basculement Le produit est beaucoup plus lourd en haut qu'en bas. Il faut être prudent lors des déplacements. Si un diable est utilisé, il faut soulever le réfrigérateur sur le côté seulement.

⚠ ADVERTENCIA



Riesgo de Caída

El producto es mucho más pesado en su parte superior que en su parte inferior – tenga cuidado al moverlo. Al usar un carro manual, sosténgalo de costado únicamente.

- Carefully cut banding at the top and bottom, remove outer carton.
- Slide out back corner posts (2).

- Slide carton off top of cabinet.

NOTE: IT IS NOT NECESSARY TO LAY CABINET DOWN IN ORDER TO REMOVE SKID!

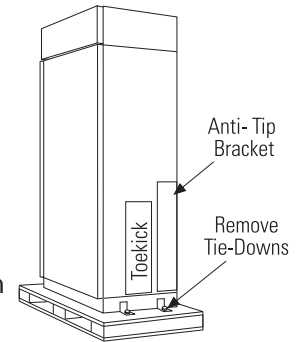
NOTE: DO NOT ATTEMPT TO ROLL UNIT OFF SKID.

- The unit is secured to the skid with 4 slotted tie-down straps. Remove the four 5/16" bolts from the base channels in the tie-downs.

- Remove toekick, and wall bracket. Set aside for final installation.

- Lift the unit off the skid with an appliance dolly. Handle from the sides.

- Remove the four 7/16" bolts securing the tie-down brackets to the skid.



STEP 2 INSTALL WATER LINE

⚠ WARNING

Connect to potable water supply only. A cold water supply is required for automatic icemaker operation. The water pressure must be between 40 and 120 psi (275-827 kilopascals).

⚠ WARNING



ELECTRIC SHOCK HAZARD

Attach tubing clamp using existing hole only. DO NOT drill into the refrigerator.

⚠ AVERTISSEMENT

Raccordez l'appareil à une alimentation d'eau potable seulement. Une alimentation d'eau froide est requise pour faire fonctionner la machine à glaçons et le pichet à remplissage automatique. La pression d'eau doit se situer entre 40 et 120 psi. (275 à 827 kPa).

⚠ AVERTISSEMENT



RISQUE DE DÉCHARGE ÉLECTRIQUE

Fixez le collier de serrage dans le trou présent seulement. NE PERCEZ PAS dans le réfrigérateur.

⚠ ADVERTENCIA

Realice la conexión a un suministro de agua potable únicamente. Se requiere un suministro de agua fría para el funcionamiento de la máquina de hielos automática y de la jarra de llenado automático. La presión del agua deberá estar entre 40 y 120 p.s.i. (275 – 827 kPa).

⚠ ADVERTENCIA



PELIGRO DE DESCARGA ELÉCTRICA

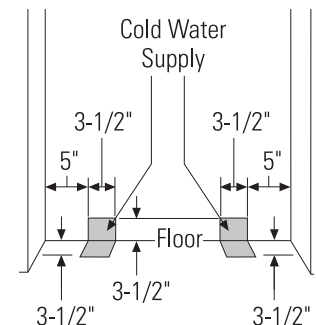
Adhiera la abrazadera de la tubería usando el agujero existente únicamente. NO perfore el refrigerador.

- Route 1/4" OD copper or SmartConnect™ plastic tubing between house cold water line and the water connection location.
- Tubing should be long enough to extend to the front of the unit. Allow enough tubing to accommodate bend leading into the water line connection.

NOTE: The only Monogram approved plastic tubing is supplied in the SmartConnect™ Refrigerator Tubing kits. Do not use any other plastic water supply line because the line is under pressure at all times. Other types of plastic may crack or rupture with age and cause water damage to your home.

SmartConnect™ Refrigerator Tubing Kits are available in the following lengths:

- 2' (.6 m) WX08X10002
- 15' (4.6 m) WX08X10015
- 8' (2.4 m) WX08X10006
- 25' (7.6 m) WX08X10025



Installation Instructions - Standard Installation

STEP 2 INSTALL WATER LINE (Cont.)

Shut off the main water supply.

Turn on the nearest faucet long enough to clear the line of water.

- Install a shut-off valve between the icemaker water valve and cold water pipe in a basement or cabinet. **The shut-off valve should be located where it will be easily accessible.**
- Turn on the main water supply and flush debris. Run about a quart of water through the tubing into a bucket. Shut off water supply at the shut-off valve.

NOTE: Saddle type shut-off valves are included in many water supply kits. Before purchasing, make sure a saddle type valve complies with your local plumbing codes.

NOTE: Commonwealth of Massachusetts Plumbing Codes 248CMR shall be adhered to. Saddle valves are illegal and use is not permitted in Massachusetts. Consult with your licensed plumber.

STEP 3 INSTALL SIDE PANELS

Skip this step when not using side panels

If you are using 1/4" side panels, they should be inserted into the case trim.

Fasten the panels to the unit with stick-on hook and loop fastener strips before setting unit in place.

STEP 4 INSTALL ANTI-TIP BRACKET

⚠ WARNING



Tip Over Hazard.

The unit is top-heavy and must be secured to prevent the possibility of tipping forward.

⚠ AVERTISSEMENT



Risque de

basculement L'appareil ménager est beaucoup plus lourd en haut et il faut le maintenir en place pour éviter la possibilité de son basculement vers l'avant.

⚠ ADVERTENCIA



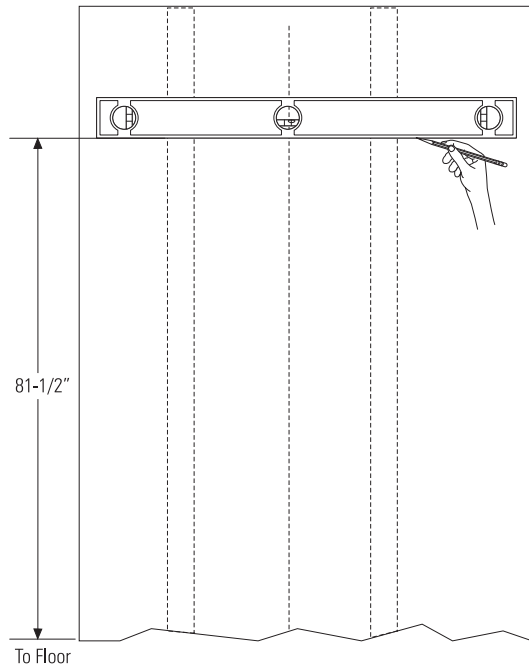
Riesgo de Caídas

La unidad es pesada en su parte superior y se deberá asegurar a fin de evitar posibles caídas hacia adelante.

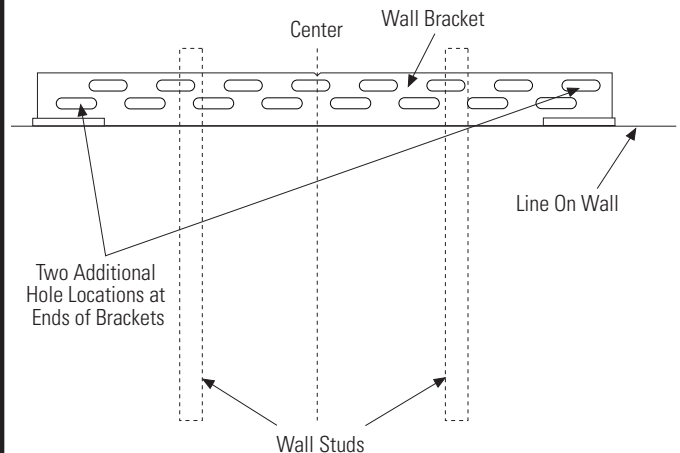
- The kit supplied with the unit contains 2 lag bolts and 4 toggles with bolts. The wall bracket will be attached to the wall in 4 places.
- Measure the opening where the unit is to be installed. Mark the center with a vertical line.

STEP 4 INSTALL ANTI-TIP BRACKET (Cont.)

- Measure up 81-1/2" (207.01 cm) from the floor. Mark this point on the wall.
- Using a level, draw a horizontal line on the wall at this height.



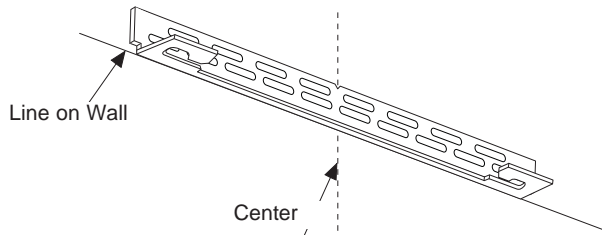
- Locate at least 2 studs on the back wall. Mark these points on the horizontal line.
- Place the bottom of the wall bracket with tabs on the horizontal line. Align the center notch on the bracket with the center line on the wall.



- The anti-tip wall bracket has a series of holes. Select 2 holes that match with the located studs. Make sure the holes selected are on the center of the studs. Mark the wall at these points.

Installation Instructions - Standard Installation

STEP 4 INSTALL ANTI-TIP BRACKET (Cont.)

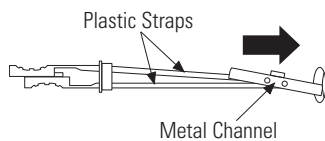


- Mark an additional hole at each end of the bracket. If one of the studs is closer to the end of the bracket, mark an additional hole towards the center of the bracket.
- Drill 1/2" (1.27 cm) holes into the wall board at the locations marked for the toggles to be mounted (not the stud markings).
- Drill 3/16" (0.47 cm) holes into wooden studs where marked. If steel stud construction, drill 1/2" (1.27 cm) holes into the studs where marked. You will use 2 toggles with the metal studs.

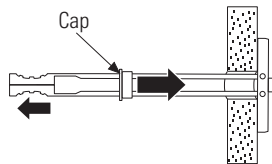
Install Wall Toggles:

The wall toggles and bolts can be ordered as Service Kit #WR49X10193. Wall toggles are installed in the drywall and metal studs for stability. Install the wall toggles as follows:

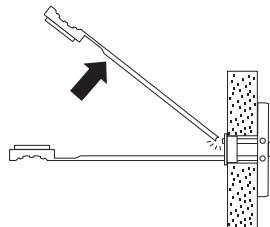
- Drill 1/2" (1.27 cm) holes at the wall markings made in the holes at the ends of the wall bracket.
- Hold the metal channel flat against the plastic straps and slide the channel through the hole.



- Gently pull back at the ends of the plastic straps to make the channel rest flush behind the wall.
- Hold the ends of the straps in one hand and slide the plastic cap along the straps until the flange of the cap is flush with the wall.

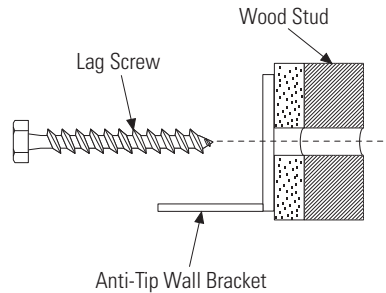


- Place your thumb between the plastic straps and bend up and down to snap the straps off at the wall.

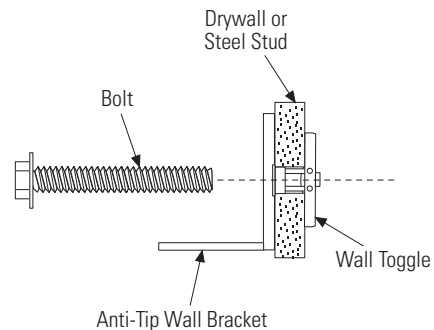


Install Screws and Bolts:

- Have someone hold the wall bracket centered in place with each of the holes aligned with the correct opening in the bracket and level with the horizontal line.
- Insert the lag screws through the bracket and into the stud. Tighten with a wrench.



- Insert the bolts into the toggle by hand until snug. Tighten with a wrench.



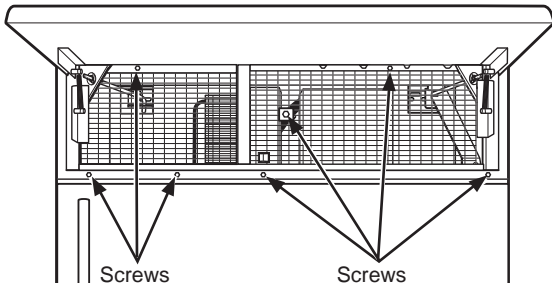
Installation Instructions - Standard Installation

STEP 4 INSTALL ANTI-TIP BRACKET (Cont.)

Remove Grilles for Access to Anti-Tip Locking Hooks

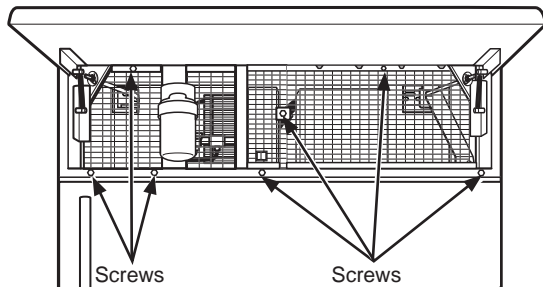
Fresh Food Unit

- Open the access door.
- Remove the 4 screws from the grille on the right and 3 screws from the grille on the left.
- Pull the bottom of the grilles forward, down and out to remove.



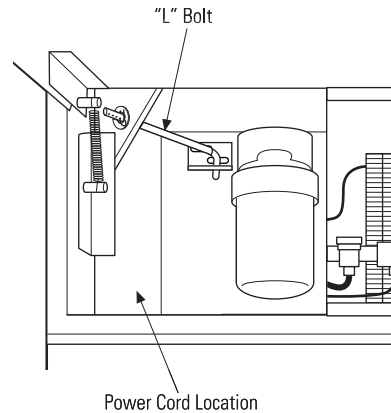
Freezer Unit

- Open the access door.
- Remove the 4 screws from the grille on the right and 3 screws from the grille on the left.
- Pull the bottom of the grille forward, down and out to remove.



Power Cord

Locate the power cord inside the left cavity. If it has not been adjusted so the plug is easily accessible, do so now.



Move Unit into Final Position

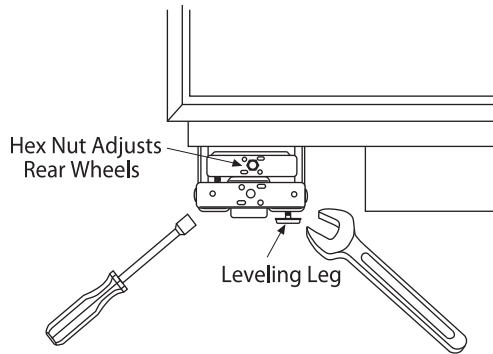
- Move appliance toward its final installed location. Align the tabs on the wall bracket with the openings in the back of the unit.
- The unit has "L" bolts in the upper left and right corners inside of the access compartment. These bolts will interlock with the wall bracket and secure the unit using the washers and hair pin cotters in the hardware kit once the unit has been leveled and is in the final position.

Installation Instructions - Standard Installation

STEP 5 LEVEL UNIT

All models have 4-point leveling. The front is supported by leveling legs; the rear is supported by adjustable wheels. Both are accessible from the front of the unit.

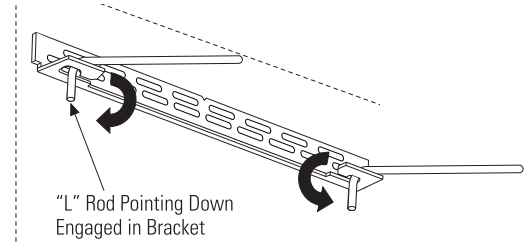
- To level the back of the unit, turn the 7/16" hex nut located above the front wheels. Turn clockwise to raise or counterclockwise to lower the unit.
- For front leveling, use a 1-1/4" open-end wrench.
- Adjust height of unit to match installation cutout opening 84-1/2" (214.63 cm). The unit should be level and plumb with cabinetry.



The rear leveling wheels and front leveling legs are limited to a maximum height adjustment of 1" (2.54 cm). If the installation requires more than 84-1/2" (214.63 cm) height, the installer should elevate the unit on a sheet of plywood or runners. Cabinetry trim could also be added across the top of the opening to shorten the opening. If you attempt to raise the unit more than 1" (2.54 cm), you will damage the front leveling legs and the rear leveling wheels.

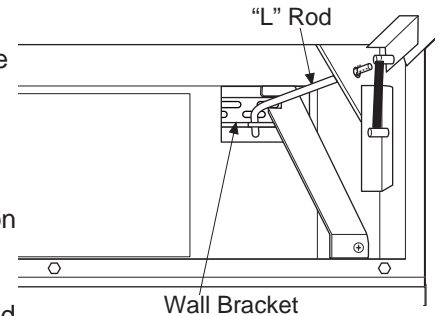
STEP 6 SECURE UNIT TO WALL

- The "L" rods can be found in the upper left and right corners of the unit in the access compartment. Look through the access compartment to make sure the rods line up with the anti-tip bracket.



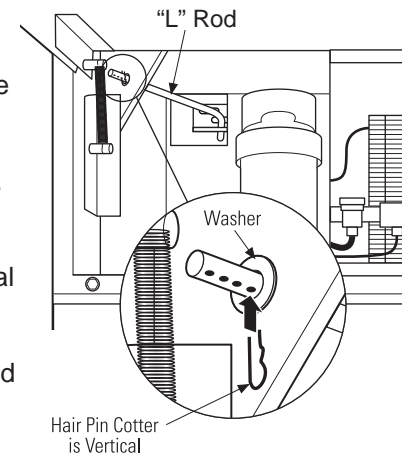
- There are 2 washers and a hair pin cotter per rod. Remove the washers and hair pin cotter from the end of the rod.

- Rotate and move the "L" rod into the slot in the anti-tip bracket tab. Once it is in the slot, rotate the "L" rod so the hook portion is pointing down. The holes at the front end of the rod should be in a vertical position. Do this to both sides.



- Pull out on the end of the rod to make sure it is secure in the bracket.
- Locate the hole on the rod that is closest to the unit. A hair pin cotter will be put through this hole to secure the rod. If this hole appears to be too far away for a snug fit against the unit, add the washers one at a time until the pin will fit tightly into the hole.

- Align the straight section of the pin with the hole from the underside of the rod. Push the pin up until it snaps into position. Pliers may be used. **NOTE:** The hair pin cotter must be vertical when this step is completed to ensure the "L" rod is engaged in the bracket.

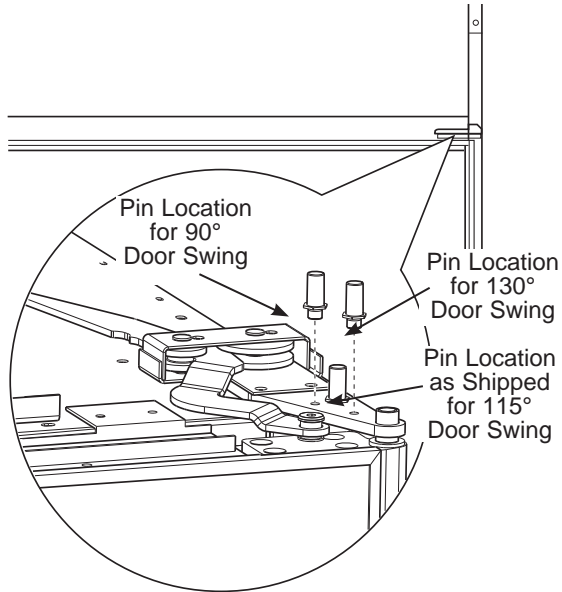


- Check the rod for tightness by pulling forward. If the rod moves, remove the hair pin cotter and place another washer on the rod. Reinsert the pin.
- Replace the grille panel.

Installation Instructions - Standard Installation

STEP 7 ADJUST DOOR SWING

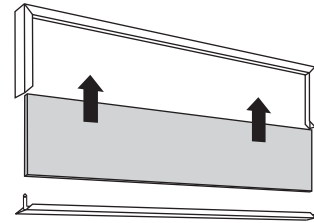
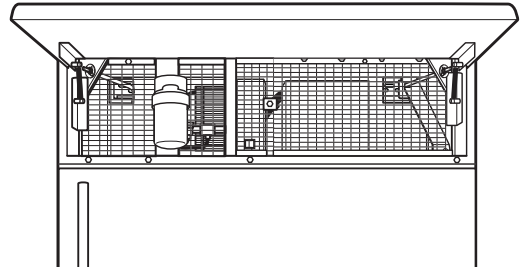
NOTE: This appliance has a 3-position door stop. When space does not allow the door to swing open fully to 115°, you may change the door swing to a 90° opening. A 130° door swing is available for standard installation only. **Skip this step if door opening is satisfactory for your installation situation.**



- Open the hood to view the top hinge. Note the door stop pin locations. The pin is factory-installed in the 115° position.
- Close the door. Use pliers to unscrew the door stop and reinstall in the 90 degree or 130 degree position.

STEP 8 INSTALL GRILLE PANEL

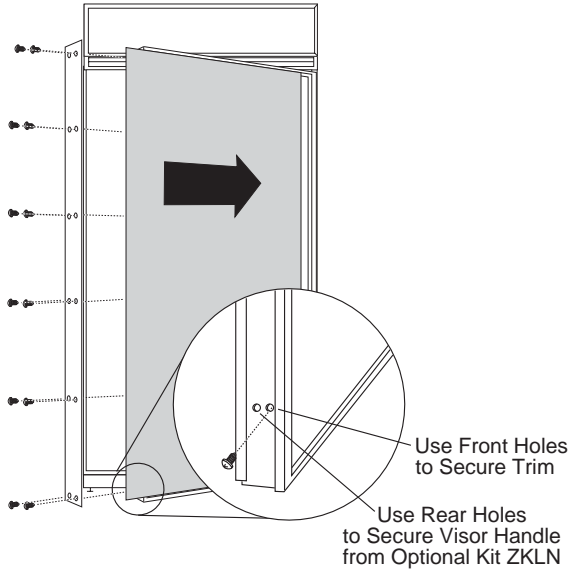
- Raise the access panel to the stop position.



- Loosen the screws on the side trim behind the frame. Remove the bottom trim.
- Slide the panel over the metal baker panel and into the trim.
- If necessary, tap with a wood block until the panel slips under the top trim piece.
- Reassemble the bottom trim. Tighten the screws.
- Adjust the hinge spring to accommodate the panel weight, if necessary.

Installation Instructions - Standard Installation

STEP 9 INSTALL FRAMED PANELS

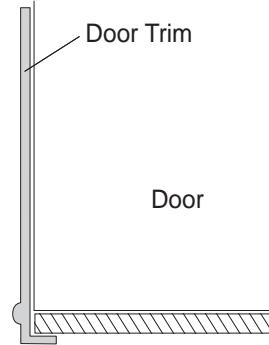


Install Door Panel:

- Open the door to 90°.
- Remove the 12 screws holding the trim, lift off the trim. Retain the screws.
- Slide the framed panel into the door trim.

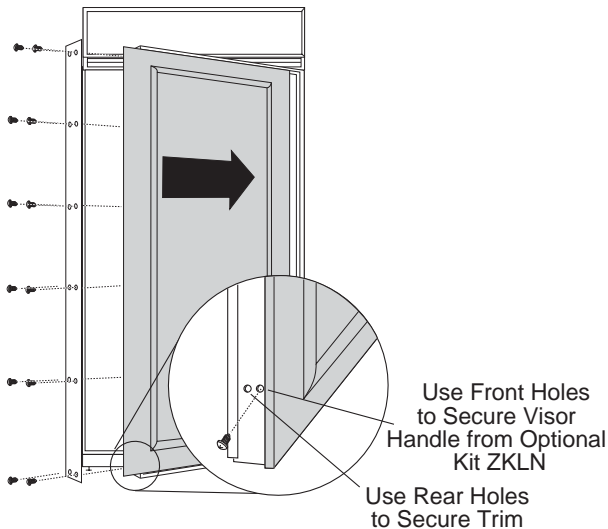
Right hand models shown. Use the same instructions for left hand models.

IF YOU ARE INSTALLING OVERLAY PANELS, GO TO STEP 9A.



- There are two sets of holes in the handle side trim. Replace the handle side trim by installing the original screws in ALL screw holes.

STEP 9A INSTALL FRAMED PANELS

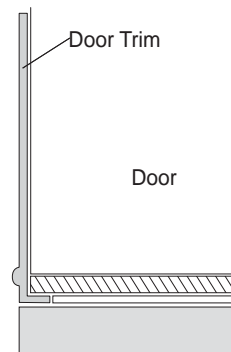


Install Door Panel:

- Open the door to 90°.
- Remove the 12 screws holding the trim, lift off the trim. Retain the screws.
- Slide the overlay panel into the door trim.

Right hand models shown. Use the same instructions for left hand models.

IF YOU ARE INSTALLING OVERLAY PANELS, GO TO STEP 9A.



- There are two sets of holes in the handle side trim. Replace the handle side trim by installing the original screws in ALL screw holes.

Custom Handles


If you are using custom handles, the handle must be properly secured to the panel before sliding the panel into the trim.

- The cabinet manufacturer will supply the custom handle and hardware.

Installation Instructions - Standard Installation

STEP 10 CONNECT WATER SUPPLY (FREEZER MODELS ONLY)

⚠ WARNING Connect to potable water supply only. A cold water supply is required for automatic icemaker operation. The water pressure must be between 40 and 120 psi (275-827 kilopascals).

⚠ WARNING  **ELECTRIC SHOCK HAZARD**
Attach tubing clamp using existing hole only. DO NOT drill into the refrigerator.

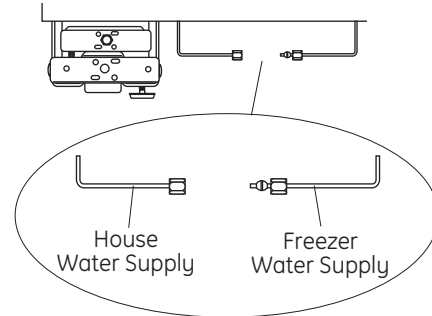
⚠ AVERTISSEMENT Raccordez l'appareil à une alimentation d'eau potable seulement. Une alimentation d'eau froide est requise pour faire fonctionner la machine à glaçons et le pichet à remplissage automatique. La pression d'eau doit se situer entre 40 et 120 psi. (275 à 827 kPa).

⚠ AVERTISSEMENT  **RISQUE DE DÉCHARGE ÉLECTRIQUE**
Fixez le collier de serrage dans le trou présent seulement. NE PERCEZ PAS dans le réfrigérateur.

⚠ ADVERTENCIA Realice la conexión a un suministro de agua potable únicamente. Se requiere un suministro de agua fría para el funcionamiento de la máquina de hielos automática y de la jarra de llenado automático. La presión del agua deberá estar entre 40 y 120 p.s.i. (275 – 827 kPa).

⚠ ADVERTENCIA  **PELIGRO DE DESCARGA ELÉCTRICA**
Adhiera la abrazadera de la tubería usando el agujero existente únicamente. NO perforo el refrigerador.

- Locate and bring the tubing to the front of the cabinet.
- Turn the water on to flush debris from the line. Run about a quart of water through the tubing into a bucket, then shut off the water.



Copper Tubing:

- Slip a 1/4" nut and ferrule (provided) over both ends of the copper tubing. Insert the tube into the union fitting on the unit and tighten the nut to the union.
- Turn on the water to check for leaks.

SmartConnect™ Tubing:

NOTE: The only Monogram-approved plastic tubing is supplied in the SmartConnect™ Refrigerator Tubing kits. Do not use any other plastic water supply line because the line is under pressure at all times. Other types of plastic may crack or rupture with age and cause water damage to your home.

- Insert the molded end of the tubing into the appliance or freezer connection. Tighten the compression nut until it is just hand-tight.
- Tighten one additional turn with a wrench. Overtightening can cause leaks!
- Turn on the water to check for leaks.

NOTE: Make sure excess tubing length does not interfere with the toekick installation.

Installation Instructions - Standard Installation

STEP 11 START ICEMAKER (FREEZER MODELS ONLY)

⚠ CAUTION

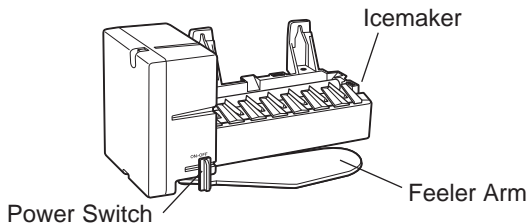
To minimize the risk of personal injury, avoid contact with the moving parts of the ejector mechanism, or with the heating element that releases the cubes. Do not place fingers or hands on the automatic ice making mechanism while the appliance is plugged in.

⚠ ATTENTION

Afin de réduire le risque de blessure, évitez tout contact avec les pièces mobiles du mécanisme d'éjection ou l'élément chauffant qui libère les cubes. Ne placez pas les doigts ou les mains sur le mécanisme de production de glace automatique lorsque l'électroménager est branché dans la prise électrique.

⚠ PRECAUCIÓN

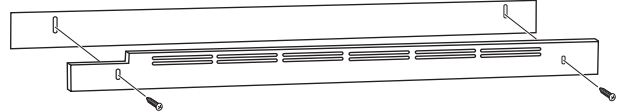
Para minimizar el riesgo de lesiones personales, evite el contacto con las partes móviles del mecanismo eyector o con el elemento de calefacción que libera los cubos. No coloque los dedos ni las manos en el mecanismo de la máquina de hielo automática mientras el electrodoméstico se encuentre enchufado.



- The icemaker will begin operation automatically.
- Be sure nothing interferes with the sweep of the feeler arm.
- Discard the first full bucket of ice cubes.
- To turn the icemaker off, slide the switch to OFF.

STEP 12 INSTALL TOEKICK

- Locate supplied toekick (shipped taped to the side of the appliance). Install the toekick assembly with the 2 screws provided, adjust to the desired height and tighten the screws.



IMPORTANT: A custom toekick can be installed to match or complement the surrounding cabinetry but can NOT cover the horizontal vent slots of the factory toe kick.

Instructions for Flush Installation

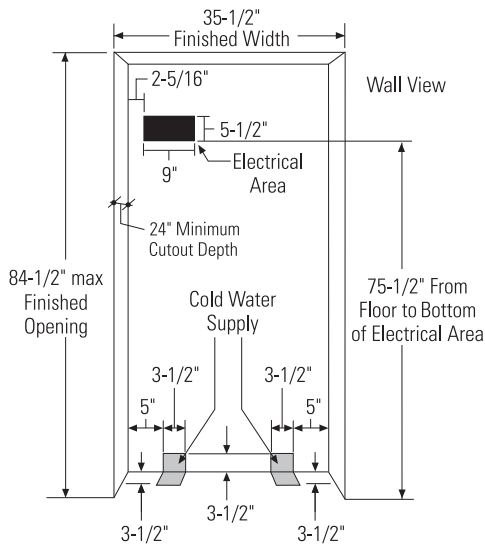
FLUSH INSET KIT ZKFN REQUIRED

The flush inset kit includes installation instructions, modified toe kicks, case assembly, and other required components.

Instructions for Stainless Steel Installation

Design Guide - Stainless Steel Installation

THE INSTALLATION SPACE



Water And Electrical Locations

Electrical and water supply must be located as shown.

The Cutout Depth Must Be 24" (60.96 cm) Minimum

The unit will project forward, slightly beyond adjacent cabinetry, depending on your installation.

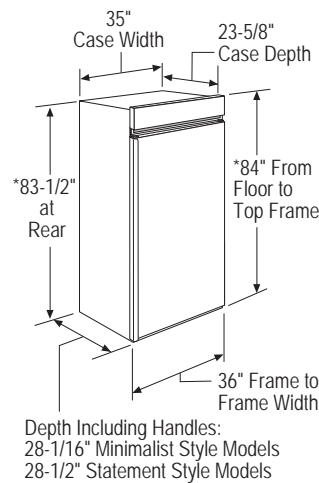
Cutout Depth Beneath a Soffit:

When installed beneath a soffit, the soffit cannot exceed the 24" (60.96 cm) installation depth shown. The top case trim overlaps the bottom of the soffit.

Additional Specifications

- A 115 volt 60Hz., 15 or 20 amp power supply is required. An individual properly grounded branch circuit or circuit breaker is recommended. Install a properly grounded 3-prong electrical receptacle recessed into the back wall. Electrical must be located on rear wall as shown.
- Water line can enter the opening through the floor or back wall. The water line should be 1/4" O.D. copper tubing or QuickConnect™ kit between the cold water line and water connection location, long enough to extend to the front of the unit. Installation of an easily accessible shut-off valve in the water line is required.

DIMENSIONS AND CLEARANCES

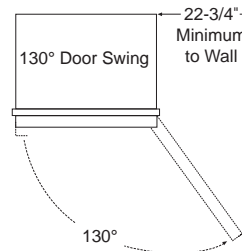


* Shipping height. The product can be adjusted to fit into a cutout that is 84-1/2" (214.63 cm) max. height. Note that the top case trim at the front is 1/2" (1.27 cm) higher and will overlap upper cabinetry or soffit. Use leveling legs and wheels for a maximum 1" (2.54 cm) height adjustment.

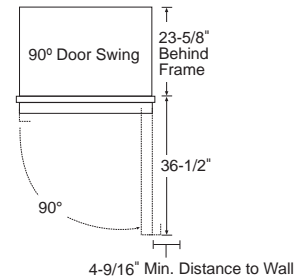
Product Clearances

These units are equipped with a 3-position door stop. The factory set 115° door swing can be adjusted to 90° if clearance to adjacent cabinets or walls is restricted. Order WX14X99 door stop for precise settings between 90° and 130°.

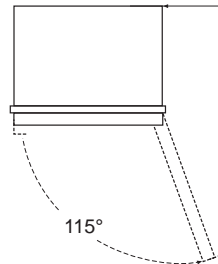
130° Door Swing



90° Door Swing



115° Door Swing 16" Min. to Wall



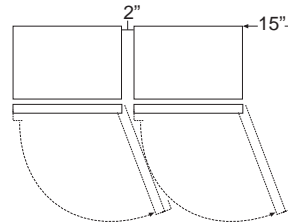
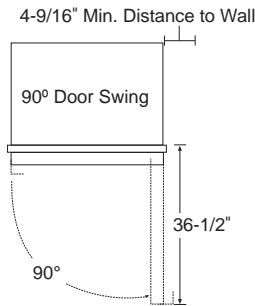
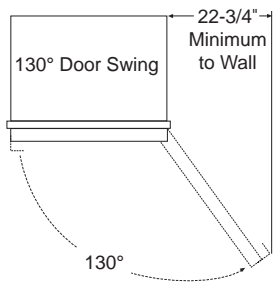
Allow 22-3/4" (57.8 cm) minimum clearance for a full 130° door swing. Allow 15" (38.0 cm) for pan removal.

For a 90° door swing, allow 4-9/16" (11.81 cm) minimum clearance to a wall for framed and stainless steel models. If the 90° doorstop position is used, pan access is maintained but pan removal is restricted.

See illustration on page 28 to determine door swing interaction with adjacent cabinets or countertops.

Design Guide - Stainless Steel Installation

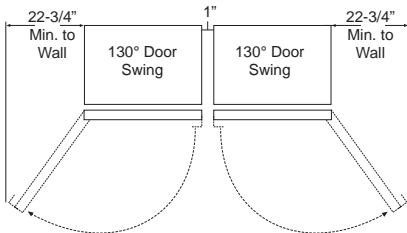
CLEARANCES



These units are equipped with a 3-position door stop. The factory set 115° door swing can be adjusted to 90° or 130° if clearance to adjacent cabinets or walls is restricted. Order WX14X99 door stop for precise settings between 90° and 130°.

When Installed into a corner:

Allow 25" (63.5 cm) for a full 130° door swing. Allow 15" (38.0 cm) for pan removal. Allow 4" (10.16 cm) min. clearance when door swing is adjusted to a 90° opening for pan access, but pan removal is restricted.



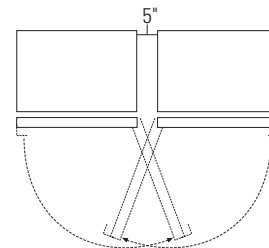
Clearances for Multiple Single Door Installations

In a side-by-side installation of a left and right door swing product, a 1" (2.54 cm) clearance between the units is required. Order ZKBSN720NSS Unification Kit for an integrated appearance on 2 stainless steel installed side-by-side. Order ZKBFN720NII Unification Kit for an integrated appearance on 2 custom panel models installed side-by-side.

Clearances for two products installed side-by-side with the same (left or right) door swing

Allow 2" (5.04 cm) minimum clearance between the products to prevent door swing interference. Order the WX14X99 adjustable door stop to reduce the factory set 115° door swing. Allow 15" (38.0 cm) minimum to a wall to achieve full drawer extension and pan removal.

NOTE: ZKBSN720NSS and ZKBFN720NII Unification Kit will **NOT** fit this installation.



Clearances for two products installed side-by-side with right and left side hinges together

Allow 5" (12.7 cm) minimum between the two products to prevent one door from striking the other. Use the WX14X99 adjustable door stop to reduce the factory set 115° door swing and to allow pan removal.

NOTE: ZKBSN720NSS and ZKBFN720NII Unification Kit will **NOT** fit this installation.

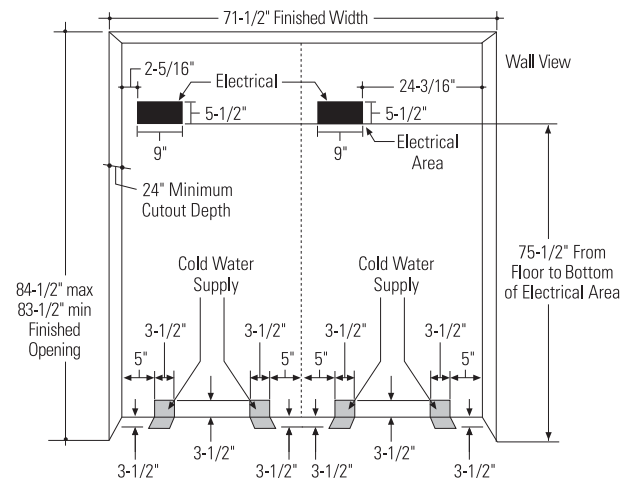
INSTALLATION

ZKBSN720NSS and ZKBFN720NII Unification Kit

• If you are installing two units, side by side, the installation space must be 71-1/2" (181.61 cm) wide.

NOTE: Additional cutout width may be required when side panels are used. Add side panel thickness to the finished cutout to calculate rough-in width.

- The water and electrical locations for each product must be located as shown.
- A separate 115V, 60Hz., 15 or 20 amp power supply is recommended for each product.



Design Guide - Stainless Steel Installation

CUSTOMIZATION BASICS:

Stainless Steel Wrapped Refrigerators

Stainless Steel wrapped refrigerators have wrapped doors and grille panel, beveled edges, and tubular stainless steel handles that coordinate with other Monogram appliances. These models are shipped ready for installation. These models do not include handles.



Statement Handles
ZKSP1H1PNBSS



Minimalist Handles
ZKSP1H1CNBSS

*Optional Handles - When ordering this product, be sure to use the model number associated with the chosen handle.

REFRIGERATOR LOCATION

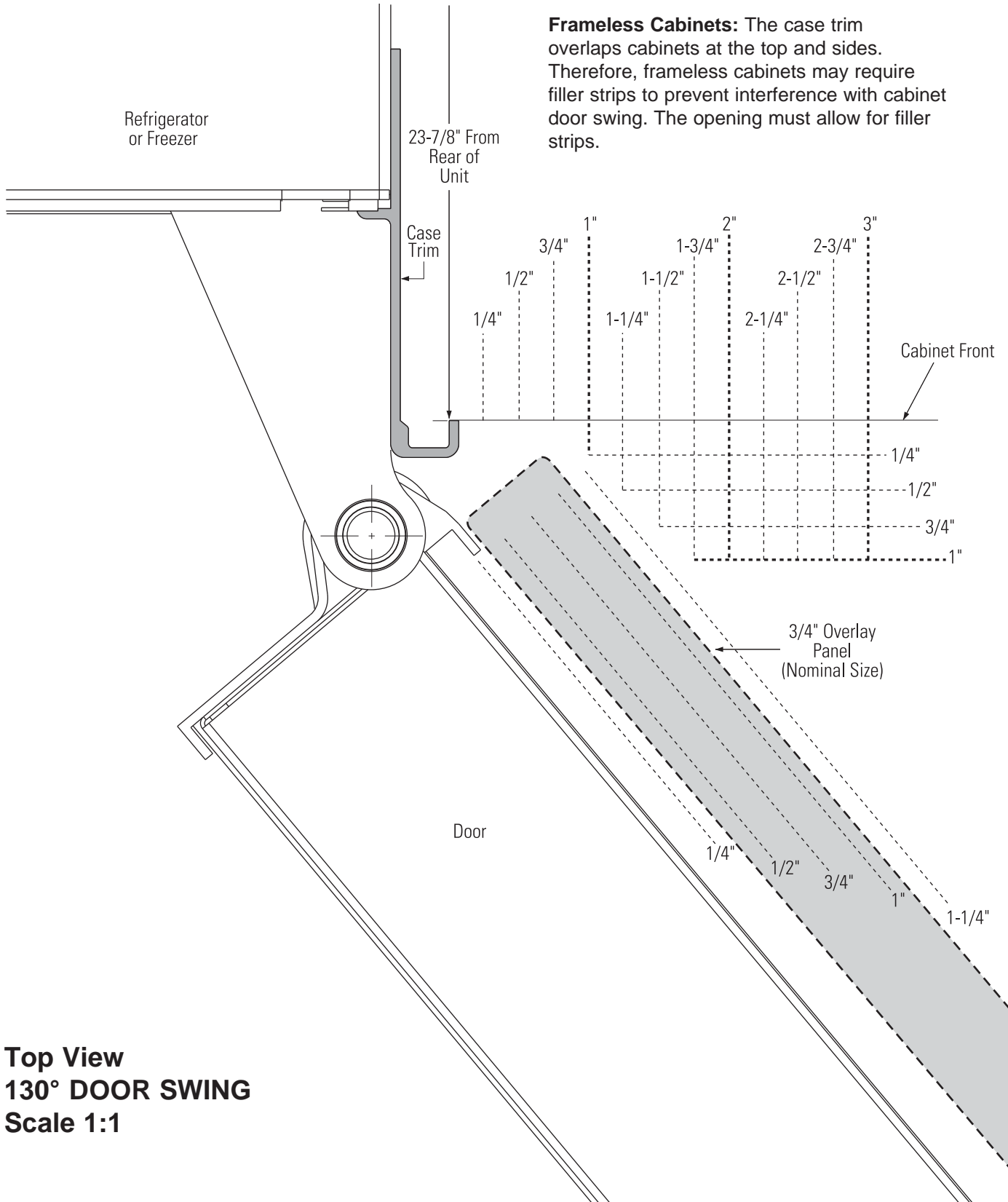
- Do not install the refrigerator where the temperature will go below 55°F (13°C). It will not run often enough to maintain proper temperatures.
- Do not install the refrigerator where temperatures will go above 100°F (37°C). It will not perform properly.
- Do not install the refrigerator in a location exposed to water (rain, etc.) or direct sunlight.
- Install it on a floor strong enough to support it fully loaded.

OPTIONAL ACCESSORY KITS

- **ZKBSN720NSS**: Unification kit for an integrated appearance on 2 stainless steel models installed side-by-side.

Design Guide - Stainless Steel Installation

Frameless Cabinets: The case trim overlaps cabinets at the top and sides. Therefore, frameless cabinets may require filler strips to prevent interference with cabinet door swing. The opening must allow for filler strips.



Top View
130° DOOR SWING
Scale 1:1

Installation Instructions - Stainless Steel Installation

TOOLS AND MATERIALS REQUIRED

- Tin snips to cut banding
- #2 Phillips screwdriver
- Stepladder
- Drill and 1/2", 3/16" bits
- Bucket
- 1/4", 1/2", 5/16", 7/16" socket
- Level
- Safety glasses
- Appliance hand truck
- Pliers
- Tubing cutter
- Stud finder
- 7/16" and 1-1/4" open-end wrench
- 1/4" copper water line tubing or SmartConnect™ Refrigerator Tubing kits
- Water shut-off valve (optional but recommended)
- Screws to secure unit to cabinetry
- Stick-on hook and loop fastener strips for 1/4" (0.63 cm) side panels

HARDWARE SUPPLIED

- Water filter bypass plug
- Anti-Tip brackets
- 3 lag screws
- 2 Hair Pin Cotter
- 4 washers
- 5 toggles with bolts
- Toekick

FLOORING

For proper installation, this product must be placed on a level surface of hard material that is at the same height as the rest of the flooring. This surface should be strong enough to support a fully loaded refrigerator or freezer, or approximately 1,200 lbs. per unit.

NOTE: Protect the finish of the flooring. Cut a large section of the cardboard carton and place under the product where you are working.

NOTE: Not recommended for installation on carpeted flooring.

GROUNDING THE UNIT

⚠ WARNING **Electrical Shock Hazard.**

Failure to follow these instructions can result in death, fire, or electrical shock.

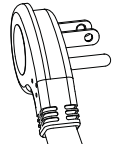
The power cord of this appliance is equipped with a 3-prong (grounding) plug which mates with a standard 3-prong (grounding) wall receptacle to minimize the possibility of electric shock hazard from this appliance. Have the wall outlet and circuit checked by a qualified electrician to make sure the outlet is properly grounded. Where a standard 2-prong wall outlet is encountered, it is your personal responsibility and obligation to have it replaced with a properly grounded 3-prong wall outlet.

GROUNDING THE UNIT (Cont.)

DO NOT, UNDER ANY CIRCUMSTANCES, CUT OR REMOVE THE THIRD (GROUND) PRONG FROM THE POWER CORD.

DO NOT USE AN ADAPTER PLUG TO CONNECT THE REFRIGERATOR TO A 2-PRONG OUTLET.

DO NOT USE AN EXTENSION CORD WITH THIS APPLIANCE.



LA TERRE DE L'UNITÉ

⚠ AVERTISSEMENT **Risque de choc électrique.**

Le non-respect de ces instructions peut entraîner des risques d'incendies, des chocs électriques ou la mort.

Le cordon d'alimentation de cet appareil est équipé d'une fiche à trois broches (pour une mise à la terre) qui s'adapte à la prise de courant standard à 3 broches (pour une mise à la terre) pour minimiser les risques de chocs électriques par cet appareil.

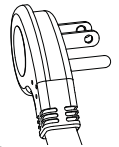
Faites vérifier la prise murale et le circuit électrique par un électricien qualifié pour s'assurer que le système est correctement mis à la terre.

Dans le cas d'une prise biphasée, l'installateur a la responsabilité et l'obligation de la remplacer par une prise triphasée correctement mise à la terre.

NE COUPEZ PAS OU N'ENLEVEZ PAS, SOUS AUCUN PRÉTEXTE, LA TROISIÈME BROCHE DE MISE À LA TERRE DU CORDON D'ALIMENTATION.

N'UTILISEZ PAS D'ADAPTATEUR POUR BRANCHER LE RÉFRIGÉRATEUR À UNE PRISE BIPHASÉE.

N'UTILISEZ PAS DE RALLONGE AVEC CET APPAREIL.



CONEXIÓN A TIERRA DE LA UNIDAD

⚠ ADVERTENCIA **Riesgo de Descarga Eléctrica**

Si no se siguen estas instrucciones, se podrá producir la muerte, incendios o descargas eléctricas.

El cable de corriente de este electrodoméstico cuenta con un enchufe de 3 cables (conexión a tierra) que se conecta a un tomacorriente de pared estándar de 3 cables (conexión a tierra) para minimizar el riesgo de posibles descargas eléctricas por parte del mismo.

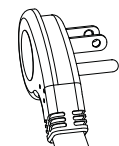
Contrate a un electricista calificado para que controle el tomacorriente y el circuito eléctrico, a fin de asegurar que el enchufe esté correctamente conectado a tierra.

En caso de contar con un tomacorriente de pared de 2 cables, es su responsabilidad y obligación reemplazarlo por un tomacorriente de pared de 3 cables correctamente conectado a tierra.

NUNCA, BAJO NINGUNA CIRCUNSTANCIA, CORTE NI ELIMINE EL TERCER CABLE (TIERRA) DEL CABLE DE CORRIENTE.


NO USE UN ENCHUFE ADAPTADOR PARA CONECTAR EL REFRIGERADOR A UN TOMACORRIENTE DE 2 PATAS.

NO USE UN PROLONGADOR CON ESTE ELECTRODOMÉSTICO.



Installation Instructions - Stainless Steel Installation

STEP 1 REMOVE PACKAGING

⚠ WARNING  **Tip Over Hazard.** Product is much heavier at the top than at the bottom – be careful when moving. When using a hand truck, handle from side only.

⚠ AVERTISSEMENT  **Risque de basculement** Le produit est beaucoup plus lourd en haut qu'en bas. Il faut être prudent lors des déplacements. Si un diable est utilisé, il faut soulever le réfrigérateur sur le côté seulement.

⚠ ADVERTENCIA  **Riesgo de Caída** El producto es mucho más pesado en su parte superior que en su parte inferior – tenga cuidado al moverlo. Al usar un carro manual, sosténgalo de costado únicamente.

• Carefully cut banding at the top and bottom, remove outer carton.

- Slide out back corner posts (2).
- Slide carton off top of cabinet.

NOTE: IT IS NOT NECESSARY TO LAY CABINET DOWN IN ORDER TO REMOVE SKID!

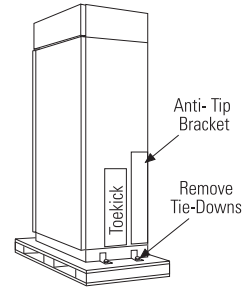
NOTE: DO NOT ATTEMPT TO ROLL UNIT OFF SKID.

- The unit is secured to the skid with 4 slotted tie-down straps. Remove the four 5/16" bolts from the base channels in the tie-downs.

- Remove toekick and wall bracket. Set aside for final installation.

- Lift the unit off the skid with an appliance dolly. Handle from the sides.

- Remove the four 7/16" bolts securing the tie-down brackets to the skid.



STEP 2 INSTALL WATER LINE

⚠ WARNING Connect to potable water supply only. A cold water supply is required for automatic icemaker operation. The water pressure must be between 40 and 120 psi (275-827 kilopascals).

⚠ WARNING  **ELECTRIC SHOCK HAZARD**
Attach tubing clamp using existing hole only. DO NOT drill into the refrigerator.

⚠ AVERTISSEMENT Raccordez l'appareil à une alimentation d'eau potable seulement. Une alimentation d'eau froide est requise pour faire fonctionner la machine à glaçons et le pichet à remplissage automatique. La pression d'eau doit se situer entre 40 et 120 psi. (275 à 827 kPa).

⚠ AVERTISSEMENT  **RISQUE DE DÉCHARGE ÉLECTRIQUE**
Fixez le collier de serrage dans le trou présent seulement. NE PERCEZ PAS dans le réfrigérateur.

⚠ ADVERTENCIA Realice la conexión a un suministro de agua potable únicamente. Se requiere un suministro de agua fría para el funcionamiento de la máquina de hielos automática y de la jarra de llenado automático. La presión del agua deberá estar entre 40 y 120 p.s.i. (275 – 827 kPa).

⚠ ADVERTENCIA  **PELIGRO DE DESCARGA ELÉCTRICA**
Adhiera la abrazadera de la tubería usando el agujero existente únicamente. NO perfore el refrigerador.

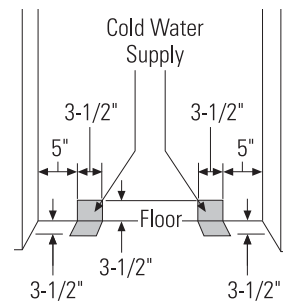
- Route 1/4" OD copper or SmartConnect™ plastic tubing between house cold water line and the water connection location.

- Tubing should be long enough to extend to the front of the unit. Allow enough tubing to accommodate bend leading into the water line connection.

NOTE: The only Monogram approved plastic tubing is supplied in the SmartConnect™ Refrigerator Tubing kits. Do not use any other plastic water supply line because the line is under pressure at all times. Other types of plastic may crack or rupture with age and cause water damage to your home.

SmartConnect™ Refrigerator Tubing Kits are available in the following lengths:

2' (.6 m)	WX08X10002
8' (2.4 m)	WX08X10006
15' (4.6 m)	WX08X10015
25' (7.6 m)	WX08X10025



Shut off the main water supply.

Turn on the nearest faucet long enough to clear the line of water.

- Install a shut-off valve between the icemaker water valve and cold water pipe in a basement or cabinet. **The shut-off valve should be located where it will be easily accessible.**

Installation Instructions - Stainless Steel Installation

STEP 2 INSTALL WATER LINE (Cont.)

- Turn on the main water supply and flush debris. Run about a quart of water through the tubing into a bucket. Shut off water supply at the shut-off valve.

NOTE: Saddle type shut-off valves are included in many water supply kits. Before purchasing, make sure a saddle type valve complies with your local plumbing codes.

NOTE: Commonwealth of Massachusetts Plumbing Codes 248CMR shall be adhered to. Saddle valves are illegal and use is not permitted in Massachusetts. Consult with your licensed plumber.

STEP 3 INSTALL SIDE PANELS

Skip this step when not using side panels

If you are using 1/4" (0.63 cm) side panels, they should be inserted into the case trim.

Fasten the panels to the unit with stick-on hook and loop fastener strips before setting unit in place.

STEP 4 INSTALL ANTI-TIP BRACKET

⚠ WARNING  **Tip Over Hazard.**

The unit is top-heavy and must be secured to prevent the possibility of tipping forward.

⚠ AVERTISSEMENT  **Risque de**

basculement L'appareil ménager est beaucoup plus lourd en haut et il faut le maintenir en place pour éviter la possibilité de son basculement vers l'avant.

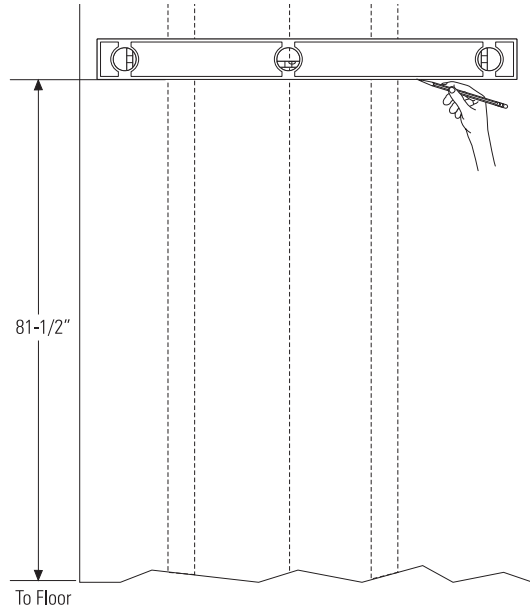
⚠ ADVERTENCIA  **Riesgo de Caídas**

La unidad es pesada en su parte superior y se deberá asegurar a fin de evitar posibles caídas hacia adelante.

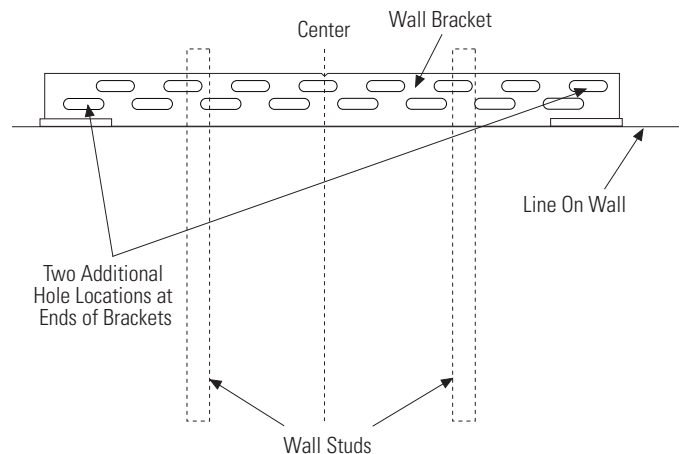
- The kit supplied with the unit contains 2 lag bolts and 4 toggles with bolts. The wall bracket will be attached to the wall in 4 places.
- Measure the opening where the unit is to be installed. Mark the center with a vertical line.
- Measure up 81 1/2 (207.01) from the floor. Mark this point on the wall.
- Using a level, draw a horizontal line on the wall at this height.
- Locate at least 2 studs on the back wall. Mark these points on the horizontal line.

STEP 4 INSTALL ANTI-TIP BRACKET (Cont.)

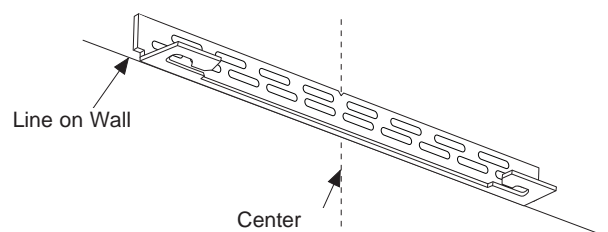
- Place the bottom of the wall bracket with tabs on the horizontal line. Align the center notch on the bracket with the center line on the wall.



- The anti-tip wall bracket has a series of holes. Select 2 holes that match with the located studs. Make sure the holes selected are on the center of the studs. Mark the wall at these points.



- Mark an additional hole at each end of the bracket. If one of the studs is closer to the end of the bracket, mark an additional hole towards the center of the bracket.



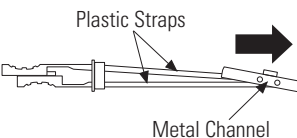
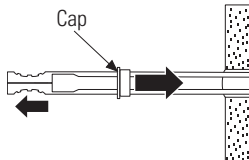
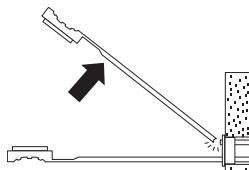
Installation Instructions - Stainless Steel Installation

STEP 4 INSTALL ANTI-TIP BRACKET (Cont.)

- Drill 1/2" (1.27 cm) holes into the wall board at the locations marked for the toggles to be mounted (not the stud markings).
- Drill 3/16" (0.47 cm) holes into wooden studs where marked. If steel stud construction, drill 1/2" (1.27 cm) holes into the studs where marked. You will use 2 toggles with the metal studs.

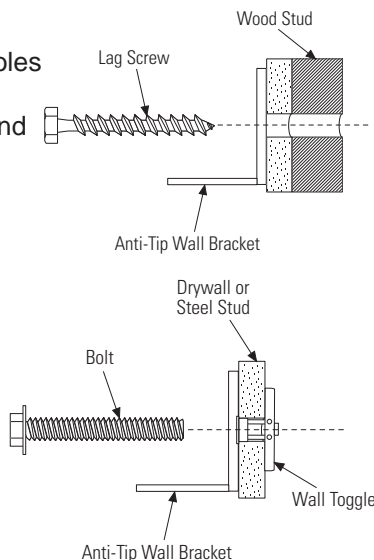
Install Wall Toggles:

The wall toggles and bolts can be ordered as Service Kit #WR49X10193. Wall toggles are installed in the drywall and metal studs for stability. Install the wall toggles as follows:

- Drill 1/2" (1.27 cm) holes at the wall markings made in the holes at the ends of the wall bracket.
- Hold the metal channel flat against the plastic straps and slide the channel through the hole.
 
- Gently pull back at the ends of the plastic straps to make the channel rest flush behind the wall.
 
- Hold the ends of the straps in one hand and slide the plastic cap along the straps until the flange of the cap is flush with the wall.
 
- Place your thumb between the plastic straps and bend up and down to snap the straps off at the wall.

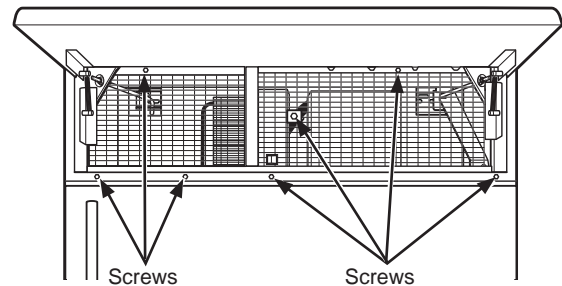
Install Screws and Bolts:

- Have someone hold the wall bracket centered in place with each of the holes aligned with the correct opening in the bracket and level with the horizontal line.
- Insert the lag screws through the bracket and into the stud. Tighten with a wrench.
- Insert the bolts into the toggle by hand until snug. Tighten with a wrench.



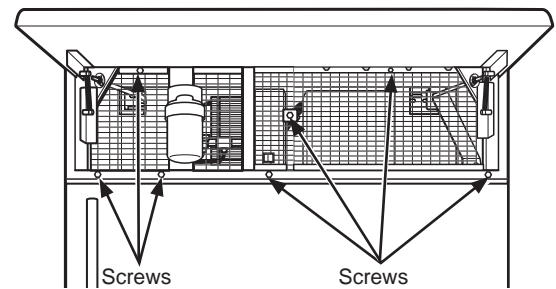
Remove Grilles for Access to Anti-Tip Locking Hooks Fresh Food Unit

- Open the access door.
- Remove the 4 screws from the grille on the right and 3 screws from the grille on the left.
- Pull the bottom of the grille forward, down and out to remove.



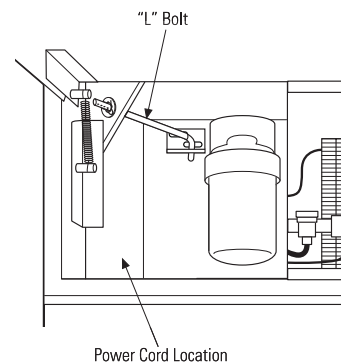
Freezer Unit

- Open the access door.
- Remove the 4 screws from the grille on the right and 3 screws from the grille on the left.
- Pull the bottom of the grille forward, down and out to remove.



Power Cord

Locate the power cord inside the left cavity. If it has not been adjusted so the plug is easily accessible, do so now.



Installation Instructions - Stainless Steel Installation

STEP 4 INSTALL ANTI-TIP BRACKET (Cont.)

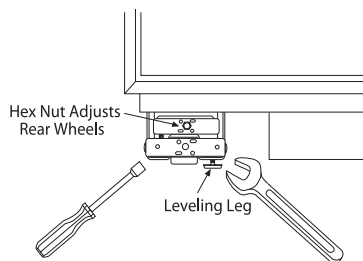
Move Unit into Final Position

- Move appliance toward its final installed location. Align the tabs on the wall bracket with the openings in the back of the unit.
- The unit has "L" bolts in the upper left and right corners inside of the access compartment. These bolts will interlock with the wall bracket and secure the unit using the washers and hair pin cotters in the hardware kit once the unit has been leveled and is in the final position.

STEP 5 LEVEL UNIT

All models have 4-point leveling. The front is supported by leveling legs; the rear is supported by adjustable wheels. Both are accessible from the front of the unit.

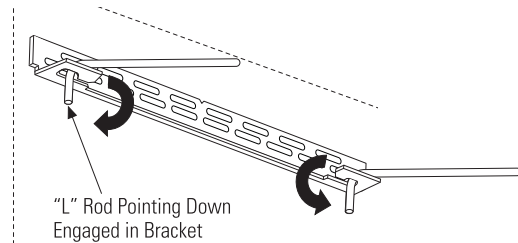
- To level the back of the unit, turn the 7/16" hex nut located above the front wheels. Turn clockwise to raise or counterclockwise to lower the unit.
- For front leveling, use a 1-1/4" open-end wrench.
- Adjust height of unit to match installation cutout opening 84-1/2" (214.63 cm). The unit should be level and plumb with cabinetry.



The rear leveling wheels and front leveling legs are limited to a maximum height adjustment of 1" (2.54 cm). If the installation requires more than 84-1/2" (214.63 cm) height, the installer should elevate the unit on a sheet of plywood or runners. Cabinetry trim could also be added across the top of the opening to shorten the opening. If you attempt to raise the unit more than 1" (2.54 cm), you will damage the front leveling legs and the rear leveling wheels.

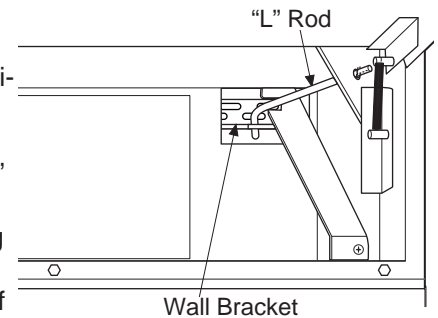
STEP 6 SECURE UNIT TO WALL

- The "L" rods can be found in the upper left and right corners of the unit in the access compartment. Look through the access compartment to make sure the rods line up with the anti-tip bracket.



- There are 2 washers and a hair pin cotter per rod. Remove the washers and hair pin cotter from the end of the rod.

- Rotate and move the "L" rod into the slot in the anti-tip bracket tab. Once it is in the slot, rotate the "L" rod so the hook portion is pointing down. The holes at the front end of the rod should be in a vertical position. Do this to both sides.

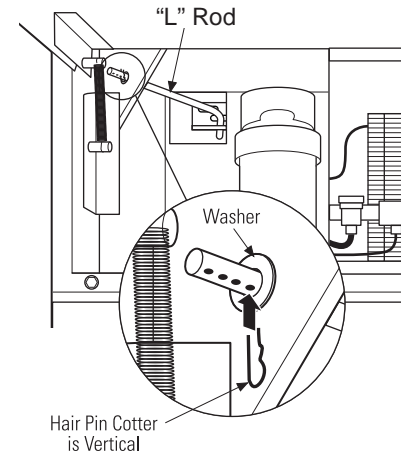


- Pull out on the end of the rod to make sure it is secure in the bracket.
- Locate the hole on the rod that is closest to the unit. A hair pin cotter will be put through this hole to secure the rod. If this hole appears to be too far away for a snug fit against the unit, add the washers one at a time until the pin will fit tightly into the hole.

- Align the straight section of the pin with the hole from the underside of the rod. Push the pin up until it snaps into position. Pliers may be used.

NOTE: The hair pin cotter must be vertical when this step is completed to ensure the "L" rod is engaged in the bracket.

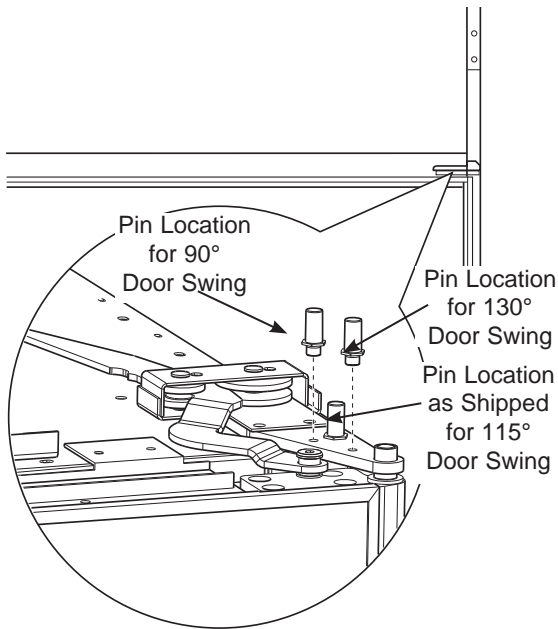
- Check the rod for tightness by pulling forward. If the rod moves, remove the hair pin cotter and place another washer on the rod. Reinsert the pin.
- Replace the grille panel.



Installation Instructions - Stainless Steel Installation

STEP 7 ADJUST DOOR SWING


NOTE: This appliance has a 3-position door stop. When space does not allow the door to swing open fully to 115°, you may change the door swing to a 90° opening. A 130° door swing is available for standard installation only. **Skip this step if door opening is satisfactory for your installation situation.**



- Open the grille to view the top hinge. Note the door stop pin locations. The pin is factory-installed in the 115° position.
- Use pliers to unscrew the door stop and reinstall into the 90 degree or 130 degree position. Close the grill.

STEP 8 CONNECT WATER SUPPLY (FREEZER MODELS ONLY)

⚠ WARNING Connect to potable water supply only. A cold water supply is required for automatic icemaker operation. The water pressure must be between 40 and 120 psi (275-827 kilopascals).

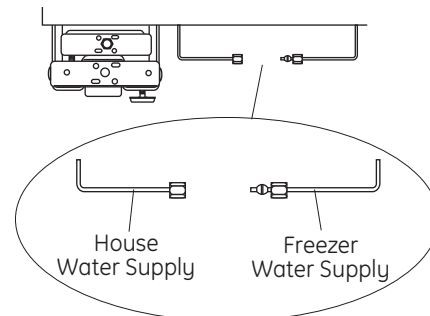
⚠ WARNING  **ELECTRIC SHOCK HAZARD**
Attach tubing clamp using existing hole only. **DO NOT** drill into the refrigerator.

⚠ AVERTISSEMENT Raccordez l'appareil à une alimentation d'eau potable seulement. Une alimentation d'eau froide est requise pour faire fonctionner la machine à glaçons et le pichet à remplissage automatique. La pression d'eau doit se situer entre 40 et 120 psi. (275 à 827 kPa).

⚠ AVERTISSEMENT  **RISQUE DE DÉCHARGE ÉLECTRIQUE**
Fixez le collier de serrage dans le trou présent seulement. **NE PERCEZ PAS** dans le réfrigérateur.

⚠ ADVERTENCIA Realice la conexión a un suministro de agua potable únicamente. Se requiere un suministro de agua fría para el funcionamiento de la máquina de hielos automática y de la jarra de llenado automático. La presión del agua deberá estar entre 40 y 120 p.s.i. (275 – 827 kPa).

⚠ ADVERTENCIA  **PELIGRO DE DESCARGA ELÉCTRICA**
Adhiera la abrazadera de la tubería usando el agujero existente únicamente. **NO** perforo el refrigerador.



- Locate and bring the tubing to the front of the cabinet.
- Turn the water on to flush debris from the line. Run about a quart of water through the tubing into a bucket, then shut off the water.

Installation Instructions - Stainless Steel Installation

STEP 8 CONNECT WATER SUPPLY (FREEZER MODELS ONLY) (Cont.)

Copper Tubing:

- Slip a 1/4" nut and ferrule (provided) over both ends of the copper tubing. Insert the tube into the union fitting on the unit and tighten the nut to the union.
- Turn on the water to check for leaks.

SmartConnect™ Tubing:

NOTE: The only Monogram-approved plastic tubing is supplied in the SmartConnect™ Refrigerator Tubing kits. Do not use any other plastic water supply line because the line is under pressure at all times. Other types of plastic may crack or rupture with age and cause water damage to your home.

- Insert the molded end of the tubing into the appliance or freezer connection. Tighten the compression nut until it is just hand-tight.
- Tighten one additional turn with a wrench. Overtightening can cause leaks!
- Turn on the water to check for leaks.

NOTE: Make sure excess tubing length does not interfere with the toekick installation.

STEP 9 START ICEMAKER (FREEZER MODELS ONLY)

⚠ CAUTION

To minimize the risk of personal injury, avoid contact with the moving parts of the ejector mechanism, or with the heating element that releases the cubes. Do not place fingers or hands on the automatic ice making mechanism while the appliance is plugged in.

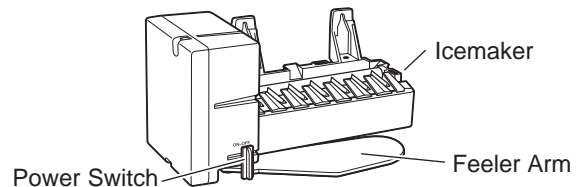
⚠ ATTENTION

Afin de réduire le risque de blessure, évitez tout contact avec les pièces mobiles du mécanisme d'éjection ou l'élément chauffant qui libère les cubes. Ne placez pas les doigts ou les mains sur le mécanisme de production de glace automatique lorsque l'électroménager est branché dans la prise électrique.

⚠ PRECAUCIÓN

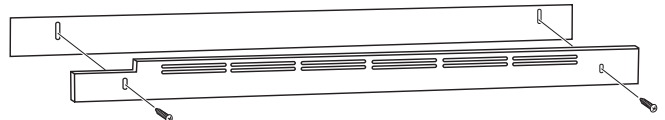
Para minimizar el riesgo de lesiones personales, evite el contacto con las partes móviles del mecanismo eyector o con el elemento de calefacción que libera los cubos. No coloque los dedos ni las manos en el mecanismo de la máquina de hielo automática mientras el electrodoméstico se encuentre enchufado.

- The icemaker will begin operation automatically.
- Be sure nothing interferes with the sweep of the feeler arm.
- Discard the first full bucket of ice cubes.
- To turn the icemaker off, slide the switch to OFF.



STEP 10 INSTALL TOEKICK

- Locate the supplied toekick (shipped taped to the side of the appliance). Install the toekick assembly with the 2 screws provided, adjust to the desired height and tighten the screws.



IMPORTANT: A custom toekick can be installed to match or complement the surrounding cabinetry but can NOT cover the horizontal vent slots of the factory toe kick.

NOTE: While performing installations described in this book, safety glasses or goggles should be worn.

NOTE: Product improvement is a continuing endeavor at Monogram. Therefore, materials, appearance and specifications are subject to change without notice.



MONOGRAM



INSTRUCTIONS D'INSTALLATION

avec guide de construction

Réfrigérateurs et congélateurs intégraux encastrés 36 po

FRANÇAIS

MONOGRAM.COM

Consignes de sécurité

AVANT DE COMMENCER

Veillez lire toutes ces instructions attentivement.

- **IMPORTANT** — Conservez ces instructions à l'usage de l'inspecteur local. Observez tous les codes et décrets en vigueur.
- **Note à l'installateur** — Assurez-vous de laisser ces instructions au consommateur.
- **Note au consommateur** - Conservez ces instructions avec votre manuel d'utilisation pour consultation ultérieure.

Si vous avez reçu un appareil endommagé, veuillez communiquer immédiatement avec votre revendeur ou votre entrepreneur.

Niveau de compétence — L'installation de cet appareil exige des compétences de base en mécanique, menuiserie et plomberie. La responsabilité d'une installation adéquate relève de l'installateur. La garantie Monogram ne couvre pas les défauts du produit causés par une installation inadéquate. Consultez le manuel d'utilisation pour des renseignements sur la garantie.

⚠ AVERTISSEMENT



Risque d'électrocution.

Branchez l'appareil dans une prise à 3 broches mise à la terre. N'enlevez pas la broche de mise à la terre. N'utilisez pas un adaptateur.

Cessez immédiatement l'utilisation d'un cordon électrique endommagé. Si le cordon électrique est endommagé, son remplacement doit être exécuté par un technicien en réparation qualifié au moyen d'un cordon de rechange autorisé par le fabricant.

N'utilisez pas un cordon de rallonge avec cet électroménager.

Le non-respect de ces instructions peut occasionner un décès, un incendie ou un choc électrique.

Suivez les instructions de la section Mise à la terre de l'appareil.

Le circuit électrique auquel cet électroménager sera raccordé doit comporter un disjoncteur ou un autre dispositif permettant de couper l'alimentation électrique à l'appareil après l'installation.

⚠ AVERTISSEMENT



Risque de basculement.

Ces électroménagers sont lourds du haut, notamment lorsqu'une porte est ouverte, de sorte qu'ils doivent être fixés pour prévenir un basculement vers l'avant susceptible d'occasionner des blessures graves ou la mort. Lisez et observez la totalité des instructions d'installation pour connaître la façon de fixer l'électroménager sur le dispositif antibasculement.

⚠ AVERTISSEMENT



Risque d'incendie ou d'explosion.

Gardez les matières et les vapeurs inflammables à distance de l'électroménager. L'omission de prendre cette précaution peut entraîner un incendie, une explosion ou la mort.

⚠ AVERTISSEMENT

Pour réduire le risque d'étouffement pendant l'installation de ce produit, ne pas laisser les petites pièces à la portée des enfants âgés de moins de 3 ans.

⚠ AVERTISSEMENT

Risque lié à la manipulation d'un objet lourd

Cet appareil est très lourd. Afin de réduire le risque de blessure pendant la manipulation et l'installation de cet électroménager, la participation de 3 personnes est nécessaire à l'exécution d'une installation correcte.

⚠ AVERTISSEMENT

Gardez vos doigts éloignés des points de pincement. Les espaces entre les portes et ceux entre les portes et l'armoire sont particulièrement restreints. Soyez prudent lorsque vous fermez les portes en présence d'enfants.

Pour joindre le service Monogram de votre région, composez visitez monogram.com.

Pour le service Monogram au Canada, visitez monogram.ca.

Pour le service des Pièces et accessoires Monogram, visitez monogram.com.

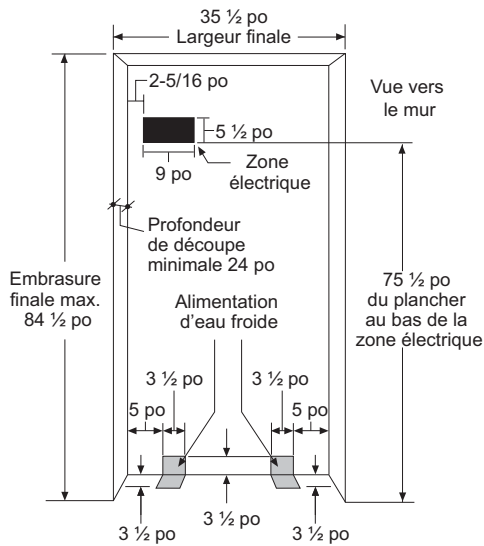
Table des matières

Sécurité	2	Instructions pour une installation affleurante	21
Instructions pour une installation standard	4	Instructions pour une installation en acier inoxydable	22
Guide de planification		Guide de planification	
Dimensions et dégagements	5	Dimensions et dégagements	23
Renseignements essentiels sur la personnalisation	7	Renseignements essentiels sur la personnalisation	25
Emplacement du réfrigérateur	7	Emplacement du réfrigérateur	25
Dimensions du panneau encadré ¼ po	8	Trousses D'accessoires en Option	25
Dimensions du panneau de recouvrement 3/4 po	8	Ouverture de porte à 130°	26
Panneaux latéraux	9		
Dimensions du panneau de grille ZKBFN720NII	9	Instructions d'installation	
Ouverture de porte à 130°	10	Outils, quincaillerie, matériaux	27
Instructions d'installation		Mise à la terre de l'appareil	27
Outils, quincaillerie, matériaux	11	Étape 1. Retirer l'emballage	28
Mise à la terre de l'appareil	11	Étape 2. Installer la conduite d'eau	28
Étape 1. Retirer l'emballage	12	Étape 3. Installer les panneaux latéraux	28
Étape 2. Installer la conduite d'eau	12	Étape 4. Installer le support antibasculement	29
Étape 3. Installer les panneaux latéraux	13	Étape 5. Mettre l'appareil de niveau	31
Étape 4. Installer le support antibasculement	13	Étape 6. Fixer l'appareil sur le mur	32
Étape 5. Mettre l'appareil de niveau	16	Étape 7. Régler l'angle d'ouverture de la porte	32
Étape 6. Fixer l'appareil sur le mur	16	Étape 8. Raccorder l'alimentation d'eau	33
Étape 7. Régler l'angle d'ouverture de la porte	17	Étape 9. Démarrer la machine à glaçons	33
Étape 8. Installer le panneau de grille	17	Étape 10. Installer le coup-de-pied	33
Étape 9. Installer les panneaux encadrés	18		
Étape 9A. Installer les panneaux de recouvrement	19		
Étape 10. Raccorder l'alimentation d'eau	20		
Étape 11. Démarrer la machine à glaçons	20		
Étape 12. Installer le coup-de-pied	20		

Instructions pour une installation standard

Guide technique – Installation standard

L'ESPACE D'INSTALLATION



Localisation des raccordements d'eau et électrique

Les raccordements d'eau et électrique doivent être situés tel qu'illustré.

La profondeur de découpe doit être de 24 po (60,96 cm) minimum

L'appareil se projettera vers l'avant, légèrement au-delà des armoires, selon votre installation.

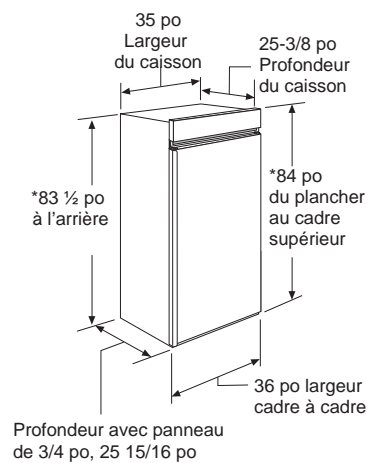
Profondeur de découpe en-dessous d'une sous-face :

Lors d'une installation en-dessous d'une sous-face, cette dernière ne doit pas excéder la profondeur d'installation de 24 po (60,96 cm) indiquée. Le garniture du caisson supérieur chevauche le bas de la sous-face.

Spécifications supplémentaires

- Une alimentation électrique de 115 volts, 60 Hz, 15 ou 20 ampères, est requise. Un circuit de dérivation distinct mis à la terre correctement ou un disjoncteur sont recommandés. Installez une prise électrique à 3 alvéoles correctement mise à la terre, encastrée dans le mur arrière. Le raccordement électrique doit être situé sur le mur arrière tel qu'illustré.
- La conduite d'eau peut pénétrer l'embrasure à travers le plancher ou le mur arrière. Cette conduite doit être constituée d'un tuyau de cuivre d'un diamètre extérieur de 1/4 po ou d'une trousse QuickConnect™ entre la conduite d'eau froide et le raccord d'eau, d'une longueur suffisante pour atteindre le devant de l'appareil. L'installation d'un robinet de sectionnement aisément accessible sur la conduite d'eau est requise.

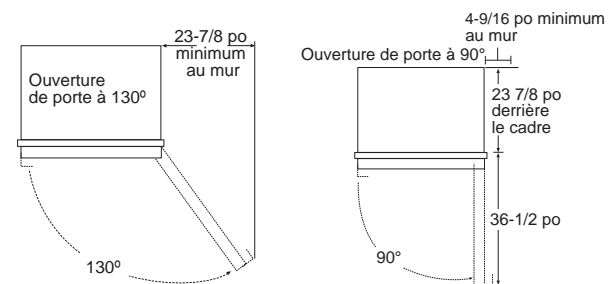
DIMENSIONS ET DÉGAGEMENTS



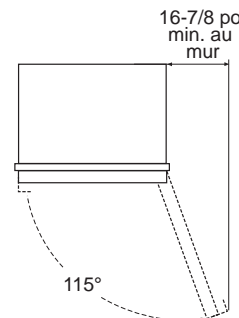
*Hauteur à la livraison. Le produit peut s'ajuster pour prendre place dans une découpe dont la hauteur est d'un maximum de 84 1/2 po (214,63 cm). Prenez note que la garniture du caisson supérieur sur le devant est plus haute de 1/2 po (1,27 cm) et qu'elle chevauchera la sous-face ou l'armoire du dessus. Utilisez les pieds de nivellement et les roulettes pour régler la hauteur d'un maximum de 1 po (2,54 cm).

Dégagements du produit

Ces appareils sont dotés d'une butée de porte à 3 positions. L'angle d'ouverture de porte réglé à 115° à l'usine peut se ramener à 90° si le dégagement aux armoires ou aux murs adjacents est restreint. Commandez une butée de porte WX14X99 pour un réglage précis entre 90° et 130°.



Ouverture de porte à 115°



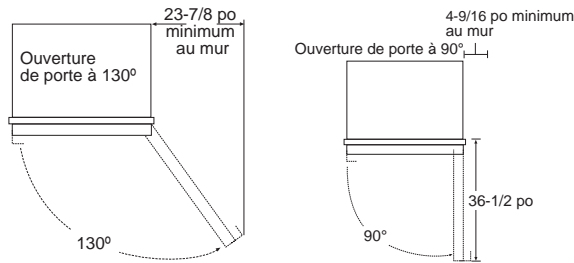
Allouez un dégagement minimal de 23-7/8 po (60,64 cm) pour une ouverture de porte complète à 130°. Allouez 15 po (38,1 cm) pour le retrait du plateau.

Pour une ouverture de porte à 90°, allouez un dégagement minimal de 4-9/16 po (11,59 cm) à un mur. Si la position de la butée de porte 90° est utilisée, l'accès au plateau est maintenue mais son retrait est restreint.

Voyez l'illustration de la page 10 pour déterminer la relation entre l'ouverture de porte et les armoires et comptoirs adjacents.

Guide technique – Installation standard

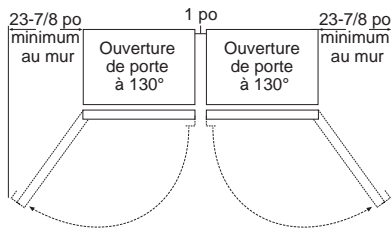
DÉGAGEMENTS



Ces appareils sont dotés d'une butée de porte à 3 positions. L'angle d'ouverture de porte réglé à 115° à l'usine peut se ramener à 90° si le dégagement aux armoires ou aux murs adjacents est restreint. Commandez une butée de porte WX14X99 pour un réglage précis entre 90° et 130°.

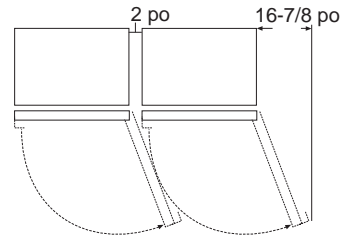
Installation dans un coin :

Allouez 23-7/8 po (60,64 cm) pour une ouverture pleine à 130°. Allouez 15 po (38,1 cm) pour le retrait du plateau. Allouez un dégagement minimal de 4-9/16 po (11,59 cm) si l'ouverture de la porte est réglée à 90° pour l'accès au plateau; le retrait de ce dernier sera toutefois restreint.



Dégagements pour installations avec portes simples côte à côte

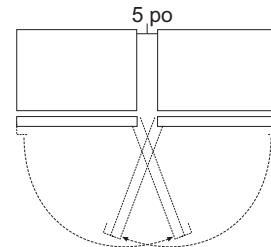
Pour l'installation côte à côte de produits l'un s'ouvrant à gauche, l'autre à droite, un dégagement de 1 po (2,54 cm) entre les deux est requis. Commandez une trousse d'union ZKBSN720NSS pour une apparence intégrée sur 2 modèles en acier inoxydable installés côte-à-côte. Commandez la trousse d'union ZKBFN720NII pour une apparence intégrée sur 2 modèles à panneaux personnalisés installés côte-à-côte.



Dégagements pour deux produits côte à côte s'ouvrant du même côté (gauche ou droit)

Allouez un dégagement minimum de 2 po (5,08 cm) entre les produits afin de ne pas gêner l'ouverture des portes. Commandez une butée de porte réglable WX14X99 afin de réduire l'angle de 115° déterminé à l'usine. Allouez un minimum de 16-7/8 po (42,86 cm) au mur pour obtenir une ouverture complète du tiroir et le retrait du plateau.

REMARQUE : La trousse d'union ZKBSN720NSS et ZKBFN720NII ne convient PAS à cette installation.



Dégagements pour deux produits côte à côte avec charnières gauche et droite ensemble

Allouez 5 po (12,7 cm) entre les deux produits afin d'empêcher qu'une porte heurte l'autre. Utilisez une butée de porte réglable WX14X99 afin de réduire l'angle de 115° déterminé à l'usine et ainsi permettre le retrait du plateau.

REMARQUE : La trousse d'union ZKBSN720NSS et ZKBFN720NII ne conviennent PAS à cette installation.

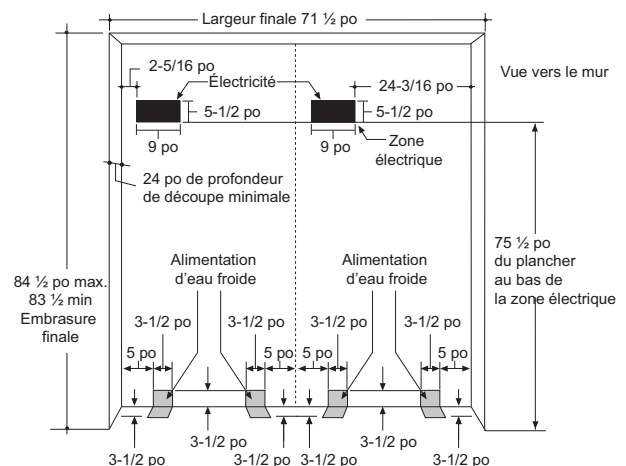
INSTALLATION

Trousse d'union ZKBSN720NSS et ZKBFN720NII

• Si vous installez deux appareils côte à côte, l'espace d'installation doit avoir une largeur de 71 1/2 po (181,61 cm).

REMARQUE : Une découpe supplémentaire en largeur peut s'avérer nécessaire si des panneaux latéraux sont utilisés. Ajoutez l'épaisseur des panneaux latéraux à la découpe « finale » pour calculer la largeur.

- Les raccordements d'eau et électrique de chaque produit doivent être situés tel qu'illustré.
- Une alimentation électrique distincte de 115 V, 60 Hz, 15 à 20 ampères, est recommandée pour chaque produit.



Guide technique – Installation standard

RENSEIGNEMENTS ESSENTIELS SUR LA PERSONNALISATION :

Trousse de panneaux encadrés et de recouvrement, de poignées et d'accessoires personnalisés

Les modèles à garniture sont conçus pour être personnalisés au moyen de panneaux décoratifs. Une porte et des panneaux de grille personnalisés, installés sur place, sont requis.

TROUSSES D'ACCESSOIRES EN OPTION

- **ZKBFN720NII** : Trousse d'union pour une apparence intégrée sur 2 modèles à panneaux personnalisés installés côte-à-côte.
- **ZKLN** : Trousse de poignée Visor pour utilisation sur modèles à panneaux personnalisés dans une installation standard.

EMPLACEMENT DU RÉFRIGÉRATEUR

- N'installez pas le réfrigérateur là où la température descendra sous 55 °F (13 °C). Il ne fonctionnera pas à une fréquence suffisante pour maintenir des températures adéquates.
- N'installez pas le réfrigérateur là où la température s'élèvera au-dessus de 100 °F (37 °C). Il ne fonctionnera pas correctement.
- N'installez pas le réfrigérateur à un endroit exposé à l'eau (pluie, etc.) ou aux rayons directs du soleil.
- Installez le réfrigérateur sur un plancher suffisamment solide pour le supporter en pleine charge.

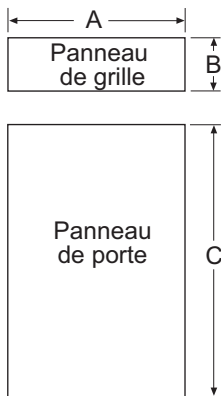
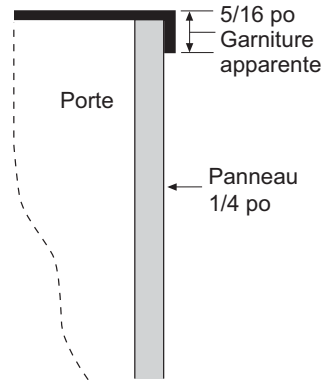
Guide technique – Installation standard

DIMENSIONS DU PANNEAU ENCADRÉ DE 1/4 po (0,63 cm)

Si vous choisissez d'installer des panneaux encadrés, ils doivent être découpés aux dimensions indiquées. Les panneaux vont glisser dans le cadre sur la porte et la grille.

Si le panneau personnalisé mesure moins de 1/4 po (0,63 cm) d'épaisseur et qu'il présente du jeu dans le cadre de porte, on peut le rembourrer avec un matériau de bourrage ou du ruban de mousse afin d'améliorer son ajustement.

REMARQUE IMPORTANTE : Le poids maximal du panneau de porte est de 67 lb (30 kg). Le poids total maximal du panneau de grille assemblé est de 11 lb (5 kg).



Dimensions du panneau encadré			
1/4 po (0,63 cm) Panneau encadré	A (Largeur)	B (Hauteur grille)	C (Hauteur porte)
	33-7/8 po (86,04 cm)	8-7/8 po (22,54 cm)	69-5/16 po (176,05 cm)

Dimensions du panneau de recouvrement			
1/4 po (0,63 cm) Panneau de fond	A (Largeur)	B (Hauteur grille)	69-5/16" (176,05 cm)
	33-7/8 po (86,04 cm)	8-7/8" (22,54 cm)	69-5/16" (176,05 cm)
0,10 po (0,25 cm) Panneau d'espacement	32-1/2 po (82,55 cm)	7-5/8" (20 cm)	67-15/16 po (172,56 cm)
3/4 po (1,9 cm) Panneau de recouvrement	34-1/8 po (96,67 cm)	9 po (22,86 cm)	69-9/16 po (176,69 cm)

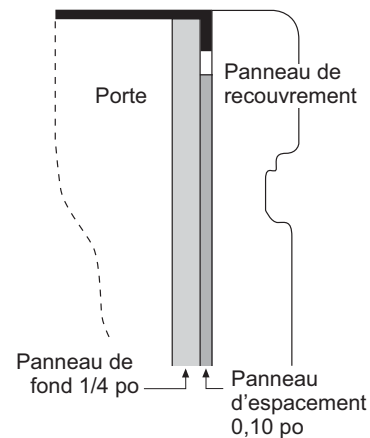
DIMENSIONS DU PANNEAU DE RECOUVREMENT DE 3/4 po (1,9 cm)

Pour une apparence plus personnalisée, on peut installer des panneaux de recouvrement sur les modèles à garniture. Le panneau de recouvrement peut être fixé sur un panneau de fond de 1/4 po (0,63 cm) qui glisse dans la garniture. Un panneau d'espacement de 0,10 po (0,25 cm) d'épaisseur peut être placé entre les panneaux de recouvrement et de fond.

REMARQUE IMPORTANTE : Le poids total maximal du panneau de porte assemblé est de 67 lb (30 kg). Le poids total maximal du panneau de grille assemblé est de 11 lb (5 kg).

Assemblez les panneaux avec de la colle et des vis.

- Centrez le panneau d'espacement sur le panneau de fond, de gauche à droite et de haut en bas. Fixez les panneaux avec de la colle.
- Centrez les panneaux d'espacement et de fond sur le panneau de recouvrement et fixez avec de la colle et des vis. Les vis doivent être fraisées dans le panneau de fond.



REMARQUE : Le décalage de gauche à droite n'est pas toujours égal au décalage de haut en bas.

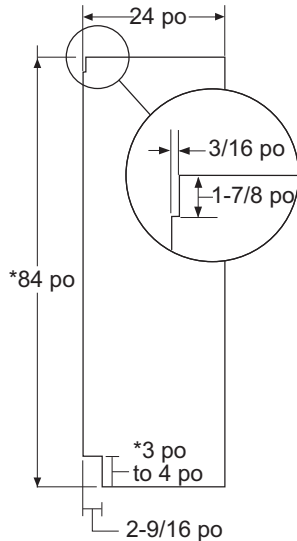
Guide technique – Installation standard

PANNEAUX LATÉRAUX

Les panneaux latéraux doivent être utilisés lorsque les côtés de l'appareil sont exposés. Les panneaux latéraux de 1/4 po (0,63 cm) vont glisser dans la garniture de caisson latéral. Fixez les panneaux sur l'appareil à l'aide de bandes autoagrippantes adhésives. Commandez les panneaux latéraux auprès du fabricant d'armoires.

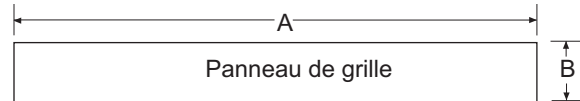
- Découpez une encoche dans le coin supérieur frontal comme illustré pour procurer le dégagement nécessaire aux clavettes d'angle de la garniture latérale frontale.

*Selon la hauteur de l'installation.



DIMENSIONS DU PANNEAU DE GRILLE ZKBFN720NII

La trousse d'union ZKBFN720NII permet l'installation d'un panneau de grille encadré ou de recouvrement.



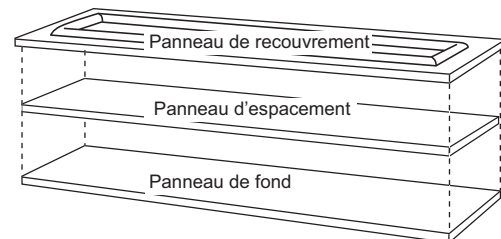
Dimensions du panneau encadré

1/4 po (0,63 cm) Panneau encadré	A (Largeur) 69-7/8" (177,48 cm)	B (Hauteur grille) 8-7/8" (22,54 cm)
-------------------------------------	------------------------------------	---

Dimensions du panneau de recouvrement

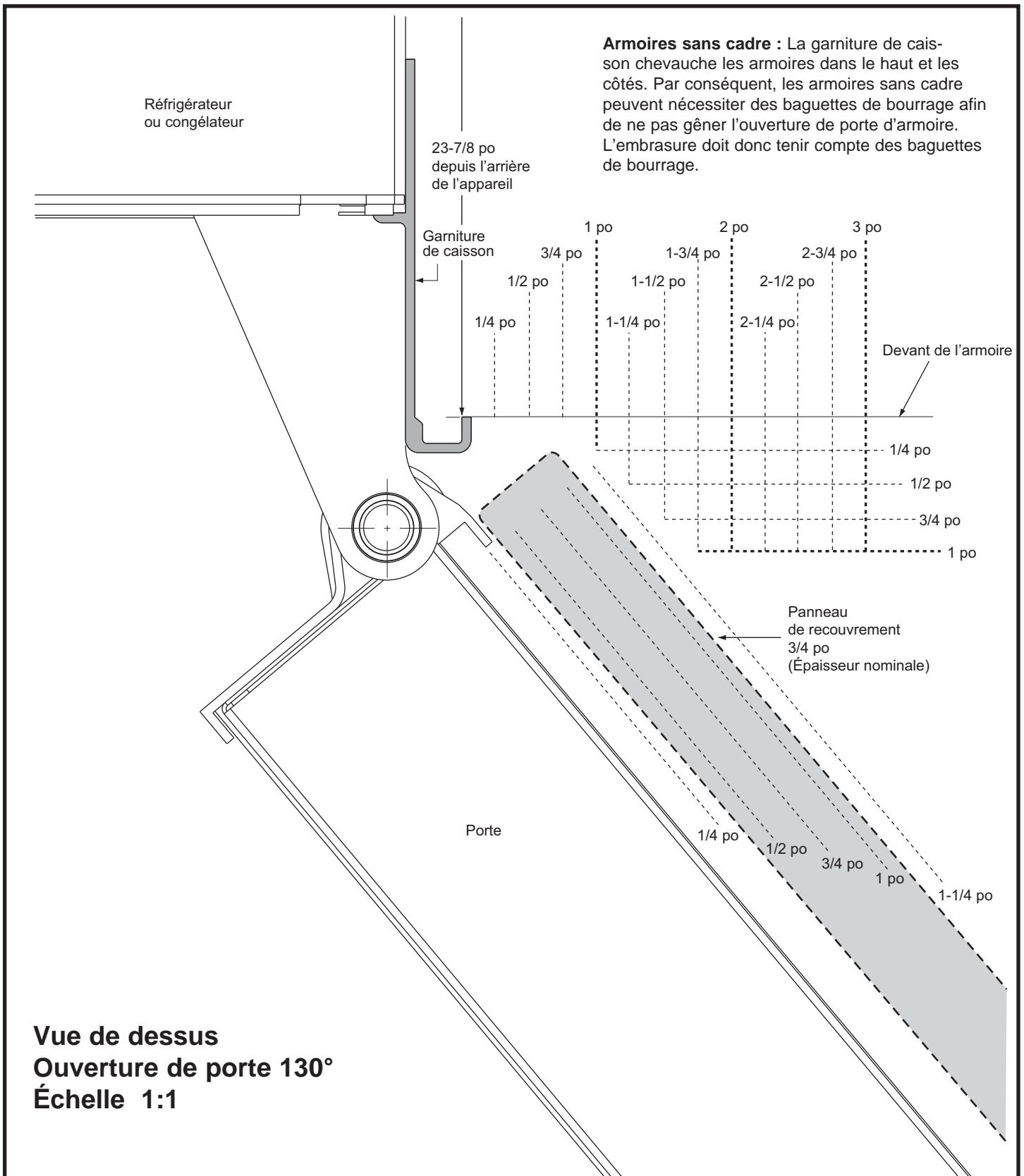
1/4 po (0,63 cm) Panneau de fond	A (Width) 69-7/8" (177,48cm)	B (Grille Height) 8-7/8" (22,54 cm)
0,10 po (0,25 cm) Panneau d'espacement	68-1/2" (97,79 cm)	7-5/8" (20 cm)
3/4 po (1,9 cm) Panneau de recouvrement	70-1/8" (178,12 cm)	9" (22,86 cm)

REMARQUE IMPORTANTE : Le poids maximal du panneau de grille de jonction est de 25 lb (11,24 kg).



Assemblez les panneaux de recouvrement de la même façon que le panneau de porte.

Guide technique – Installation standard



Instructions d'installation – Installation standard

OUTILS ET MATÉRIAUX NÉCESSAIRES

- Cisaille de ferblantier pour couper le cerclage
- Tournevis cruciforme no 2
- Escabeau
- Perceuse et forets 1/2 et 3/16 po
- Seau
- Douilles 1/4, 1/2, 5/16 et 7/16 po
- Niveau
- Lunettes de protection
- Diable pour électroménagers
- Pince
- Coupe-tube
- Détecteur de montant
- Clés ouvertes 7/16 et 1 ¼ po
- Tuyau de conduite d'eau en cuivre 1/4 po ou trousse de tuyau pour réfrigérateur SmartConnect™
- Robinet de sectionnement d'eau (facultatif mais recommandé)
- Panneaux personnalisés pour porte et panneau de grille
- Vis pour fixer l'appareil aux armoires
- Bandes autoagrippantes adhésives pour panneaux latéraux 1/4 po (0,63 cm)

QUINCAILLERIE FOURNIE

- Bouchon de dérivation de filtre à eau
- Support antibasculement
- 3 tirefonds
- 2 goupilles bêta (forme d'épingle à cheveux)
- 4 rondelles
- 5 ancrages à ailettes avec boulons
- Coup-de-pied

PLANCHER

Pour une installation correcte, il faut placer ce produit sur la surface de niveau d'un matériau solide de la même hauteur que le reste du plancher. Cette surface doit être suffisamment solide pour supporter un réfrigérateur ou congélateur en pleine charge, soit environ 1200 lb (545 kg) par appareil.

REMARQUE : Protégez le fini du plancher. Découpez une grande section de carton et placez-la sous le produit là où vous travaillez.

REMARQUE : Non recommandé pour l'installation sur un plancher recouvert de moquette.

LA TERRE DE L'UNITÉ

⚠ AVERTISSEMENT  **Risque de choc électrique.**

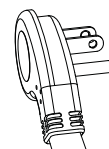
Le non-respect de ces instructions peut entraîner des risques d'incendies, des chocs électriques ou la mort.

Le cordon d'alimentation de cet appareil est équipé d'une fiche à trois broches (pour une mise à la terre) qui s'adapte à la prise de courant standard à 3 broches (pour une mise à la terre) pour minimiser les risques de chocs électriques par cet appareil.

Faites vérifier la prise murale et le circuit électrique par un électricien qualifié pour s'assurer que le système est correctement mis à la terre.

Dans le cas d'une prise biphasée, l'installateur a la responsabilité et l'obligation de la remplacer par une prise triphasée correctement mise à la terre.

NE COUPEZ PAS OU N'ENLEVEZ PAS, SOUS AUCUN PRÉTEXTE, LA TROISIÈME BROCHE DE MISE À LA TERRE DU CORDON D'ALIMENTATION.



N'UTILISEZ PAS D'ADAPTATEUR POUR BRANCHER LE RÉFRIGÉRATEUR À UNE PRISE BIPHASÉE.

N'UTILISEZ PAS DE RALLONGE AVEC CET APPAREIL.

Instructions d'installation – Installation standard

ÉTAPE 1 RETIRER L'EMBALLAGE

⚠ AVERTISSEMENT



Risque de

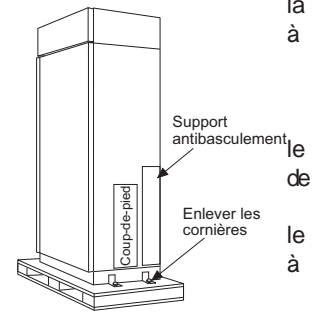
basculement Le produit est beaucoup plus lourd en haut qu'en bas. Il faut être prudent lors des déplacements. Si un diable est utilisé, il faut soulever le réfrigérateur sur le côté seulement.

- Avec précaution, coupez le cerclage dans le haut et le bas, retirez la boîte extérieure.
- Retirez les montants d'angle arrière (2) en les glissant.
- Retirez la boîte dans le haut de la carrosserie.

REMARQUE : IL N'EST PAS NÉCESSAIRE DE COUCHER L'APPAREIL POUR RETIRER LA PALETTE!

REMARQUE : NE TENTEZ PAS DE ROULER L'APPAREIL HORS DE LA PALETTE.

- L'appareil est fixé à palette au moyen de 4 cornières fente. Retirez les quatre boulons 5/16 po des rainures de base dans les cornières.
- Retirez le coup-de-pied et support mural. Mettez-les côté pour l'installation finale.
- Soulevez l'appareil pour dégager de la palette l'aide d'un diable pour électroménagers. Manipulez l'appareil par ses côtés.
- Retirez les quatre boulons 7/16 po qui fixent les cornières dans la palette.



ÉTAPE 2 INSTALLER LA CONDUITE D'EAU

⚠ AVERTISSEMENT

Raccordez l'appareil à une alimentation d'eau potable seulement. Une alimentation d'eau froide est requise pour faire fonctionner la machine à glaçons et le pichet à remplissage automatique. La pression d'eau doit se situer entre 40 et 120 psi. (275 à 827 kPa).

⚠ AVERTISSEMENT

RISQUE DE DÉCHARGE ÉLECTRIQUE

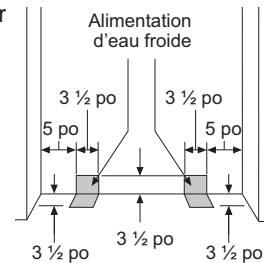
Fixez le collier de serrage dans le trou présent seulement. NE PERCEZ PAS dans le réfrigérateur.

- Acheminez le tuyau de cuivre 1/4 po (dia. ext.) ou le tuyau en plastique SmartConnect™ entre la conduite d'eau froide du domicile et le lieu du raccordement d'eau.
- Le tuyau doit être suffisamment long pour atteindre le devant de l'appareil. Allouez une longueur suffisante pour tenir compte de la courbe menant au raccord de la conduite d'eau.

REMARQUE : Le seul tuyau en plastique approuvé par Monogram est celui des trousse de tuyau pour réfrigérateur SmartConnect™. N'utilisez pas d'autres tuyaux d'alimentation d'eau en plastique car le tuyau sera sous pression en tous temps. Les autres types de tuyau en plastique peuvent se fissurer et se rompre avec le temps et causer des dégâts d'eau dans votre domicile.

Les trousse de tuyau pour réfrigérateur SmartConnect™ sont offertes dans les longueurs suivantes

2 pi (0,6 m)	WX08X10002
8 pi (2,4 m)	WX08X10006
15 pi (4,6 m)	WX08X10015
25 pi (7,6 m)	WX08X10025



Fermez l'alimentation d'eau principale.

Ouvrez le robinet le plus près suffisamment longtemps pour nettoyer la conduite d'eau.

- Installez un robinet de sectionnement entre le robinet d'eau de la machine à glaçons et le tuyau d'eau froide dans le sous-sol ou une armoire. Le robinet de sectionnement doit se situer à un endroit facilement accessible.
- Ouvrez l'alimentation d'eau principale et rincez les débris. Faites circuler environ un litre d'eau dans un seau par le tuyau. Fermez l'alimentation d'eau au robinet de sectionnement.

REMARQUE : Des robinets de sectionnement à étrier sont inclus dans plusieurs trousse d'alimentation d'eau. Avant d'acheter, assurez-vous que ce type de robinet est conforme à votre code de plomberie local.

REMARQUE : Les codes de plomberie 248CMR du Commonwealth du Massachusetts doivent être respectés. Les robinets à étrier sont illégaux et leur utilisation prohibée dans le Massachusetts. Consultez votre plombier agréé.

Instructions d'installation – Installation standard

ÉTAPE 3 INSTALLER LES PANNEAUX LATÉRAUX

Sautez cette étape si vous n'utilisez pas de panneaux latéraux

Si vous utilisez des panneaux latéraux de 1/4 po, ils doivent être insérés dans la garniture du caisson.

Fixez les panneaux à l'appareil à l'aide de bandes autoagrippantes adhésives avant de mettre l'appareil en place.

ÉTAPE 4 INSTALLER LE SUPPORT ANTIBASCULEMENT

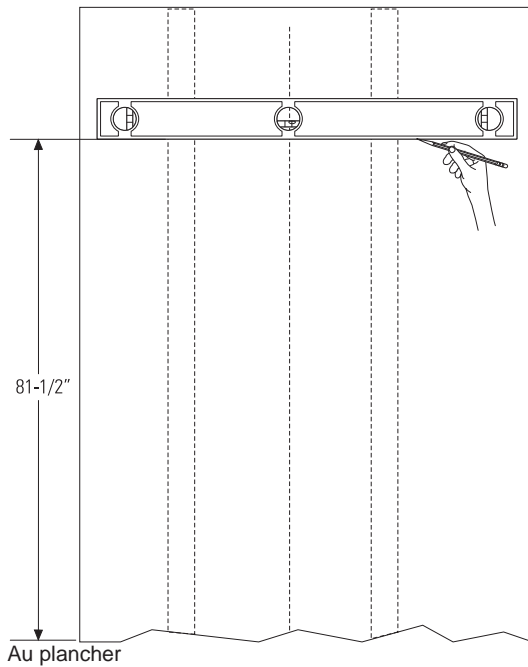
⚠ AVERTISSEMENT



Risque de

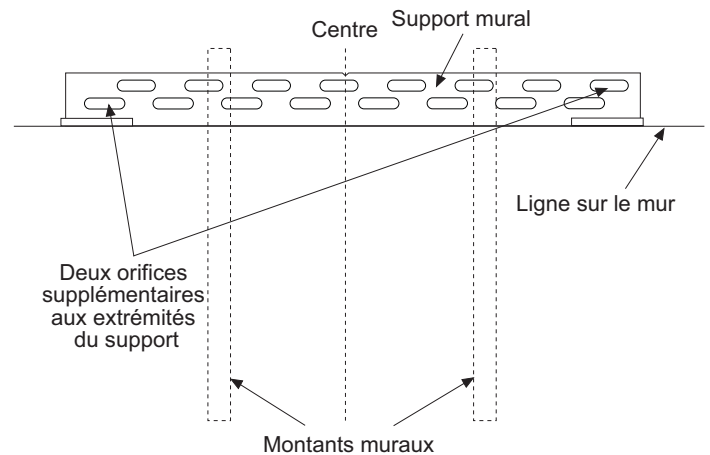
basculement L'appareil ménager est beaucoup plus lourd en haut et il faut le maintenir en place pour éviter la possibilité de son basculement vers l'avant.

- La trousse fournie avec l'appareil contient 2 tirefonds et 4 ancrages à ailettes avec boulons. Le support mural sera fixé au mur à 4 endroits.
- Mesurez l'embrasure où l'appareil sera installé. Marquez le centre par une ligne verticale.
- Mesurez jusqu'à 81 1/2 po (207,01 cm) depuis le plancher. Marquez ce point sur le mur.
- À l'aide d'un niveau, tracez une ligne horizontale sur le mur à cette hauteur.

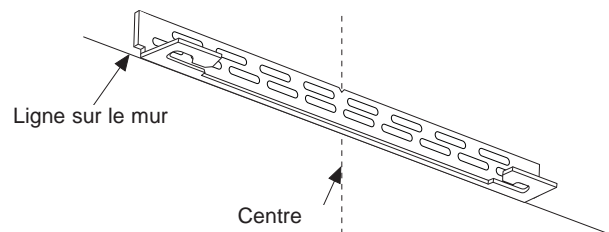


- Repérez au moins 2 montants sur le mur arrière. Marquez ces points sur la ligne horizontale.

- Placez le bas du support mural muni de languettes sur la ligne horizontale. Alignez l'encoche centrale du support sur la ligne de centre sur le mur.



- Le support mural antibasculement est percé d'une série de trous ovales. Choisissez 2 ovales qui correspondent aux montants repérés. Assurez-vous que les ovales choisis sont au centre des montants. Marquez le mur à ces points.



- Marquez un trou supplémentaire à chaque extrémité du support. Si l'un des montants est plus près d'une extrémité du support, marquez un trou supplémentaire vers le centre du support.
- Percez des trous de 1/2 po (1,27 cm) dans le panneau mural aux marques où les ancrages à ailettes seront insérés (et non aux marques des montants).
- Percez des trous de 3/16 po (0,47 cm) dans les montants de bois aux marques. Si les montants sont en acier, percez des trous de 1/2 po (1,27 cm) dans ces montants aux marques. Vous utiliserez 2 ancrages à ailettes pour les montants en acier.

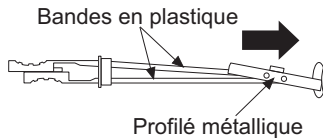
Instructions d'installation – Installation standard

ÉTAPE 4 INSTALLER LE SUPPORT ANTIBASCULEMENT (suite)

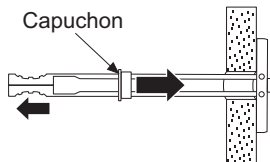
Installer les ancrages à ailettes muraux :

Pour se procurer les ancrages à ailettes et les boulons associés, on peut commander la trousse de réparation no WR49X10193. Les ancrages à ailettes sont installés dans les cloisons sèches et les montants métalliques pour la stabilité. Installez ces ancrages de la façon suivante :

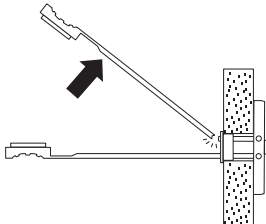
- Percez des trous de 1/2 po (1,27 cm) aux points marqués dans les ovales aux extrémités du support mural.
- Tenez le profilé métallique à plat contre les bandes en plastique et glissez le profilé dans le trou.



- Tirez délicatement les extrémités des bandes en plastique vers l'arrière pour que le profilé se place à angle droit derrière le mur.
- Tenez les extrémités des bandes d'une main et glissez le capuchon en plastique le long des bandes jusqu'à ce que le rebord du capuchon soit à égalité du mur.

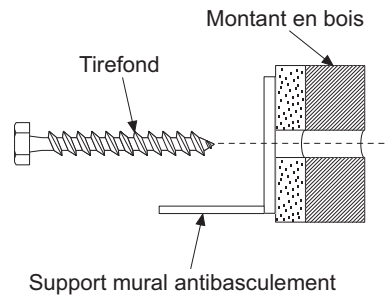


- Placez votre pouce entre les bandes en plastique puis pliez celles-ci de haut en bas pour les dégager du mur.

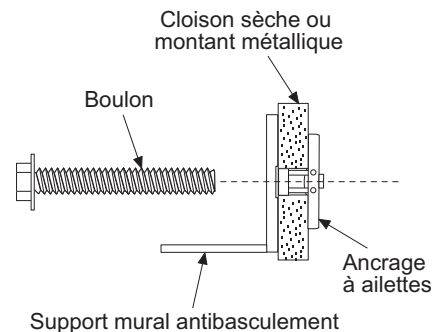


Installez les vis et les boulons :

- Demandez à une personne de tenir le support mural centré et en position, avec chaque trou aligné sur chaque ovale correspondant du support, de niveau avec la ligne horizontale.
- Insérez les tirefonds à travers le support dans le montant. Serrez à l'aide d'une clé.



- Vissez à la main les boulons dans les ancrages jusqu'au bout. Serrez ensuite avec une clé.



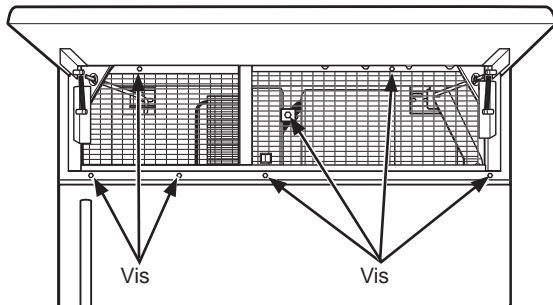
Instructions d'installation – Installation standard

ÉTAPE 4 INSTALLER LE SUPPORT ANTIBASCULEMENT (suite)

Retirer les grilles pour l'accès aux crochets de verrouillage antibasculement

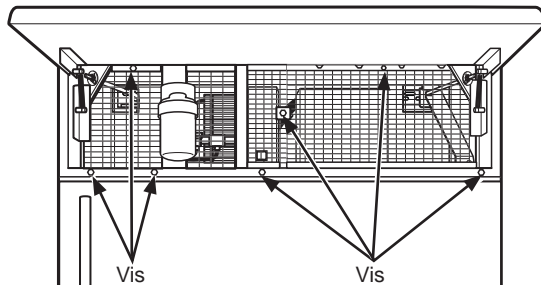
Réfrigérateur

- Ouvrez le panneau d'accès.
- Retirez 4 vis de la grille à droite et 3 vis de la grille à gauche.
- Tirez le bas des grilles vers l'avant, le bas puis l'extérieur pour les dégager.



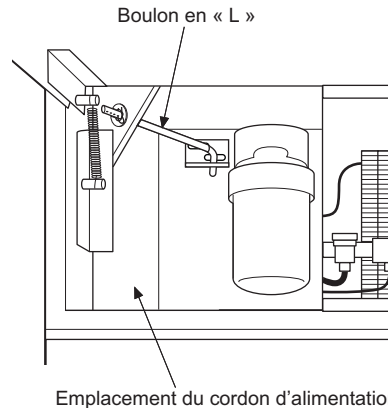
Congélateur

- Ouvrez le panneau d'accès.
- Retirez 4 vis de la grille à droite et 3 vis de la grille à gauche.
- Tirez le bas des grilles vers l'avant, le bas puis l'extérieur pour les dégager.



Cordon d'alimentation

Repérez le cordon d'alimentation à l'intérieur de la cavité gauche. S'il n'a pas été disposé pour que sa fiche soit facilement accessible, faites-le maintenant.



Déplacez l'appareil à sa position finale

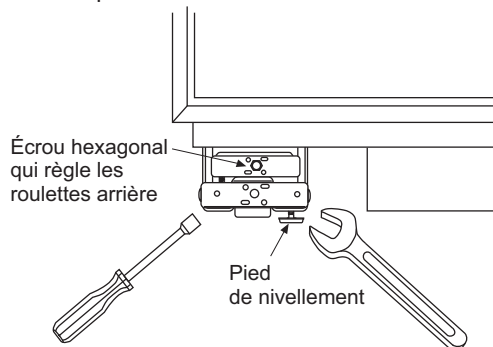
- Déplacez l'appareil vers sa position installée finale. Alignez les languettes du support mural sur les orifices à l'arrière de l'appareil.
- L'appareil est doté de boulons en « L » dans les coins gauche et droit supérieurs à l'intérieur du compartiment d'accès. Ces boulons vont s'enclencher sur le support mural et fixer l'appareil à l'aide de rondelles et de goupilles bêta (fournies dans la trousse de quincaillerie) une fois celui-ci mis de niveau dans sa position finale.

Instructions d'installation – Installation standard

ÉTAPE 5 METTRE L'APPAREIL DE NIVEAU

Tous les modèles sont dotés de 4 points de nivellement. Le devant est supporté par des pieds de nivellement, l'arrière par des roulettes réglables. Les deux types sont accessibles depuis le devant de l'appareil.

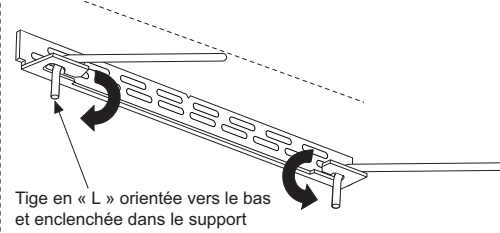
- Pour mettre de niveau l'arrière de l'appareil, tournez l'écrou hexagonal 7/16 po situé au-dessus des roulettes frontales. Tournez dans le sens des aiguilles pour lever l'appareil ou dans le sens contraire pour l'abaisser.
- Pour la mise à niveau du devant, utilisez une clé ouverte de 1 ¼ po.
- Réglez la hauteur de l'appareil pour l'adapter à l'embrasure découpée de 84 ½ po (214,63 cm). L'appareil doit être de niveau et d'équerre avec les armoires.



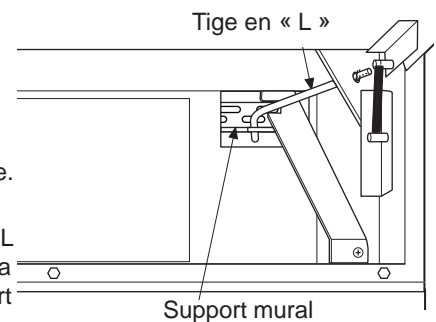
Le réglage en hauteur des roulettes arrière et des pieds de nivellement à l'avant est limité à 1 po (2,54 cm). Si l'installation exige une hauteur supérieure à 84 ½ po (214,63 cm), l'installateur doit monter l'appareil sur une feuille de contreplaqué ou des patins. Une garniture d'armoire pourra aussi être ajoutée dans le haut de l'embrasure pour la raccourcir. Si vous tentez d'élever l'appareil de plus de 1 po (2,54 cm), vous allez endommager les pieds de nivellement et les roulettes.

ÉTAPE 6 FIXER L'APPAREIL SUR LE MUR

- Les tiges en « L » se trouvent dans les coins gauche et droit supérieurs de l'appareil dans le compartiment d'accès. Regardez dans le compartiment d'accès pour vous assurer que les tiges s'alignent sur le support antibasculement.



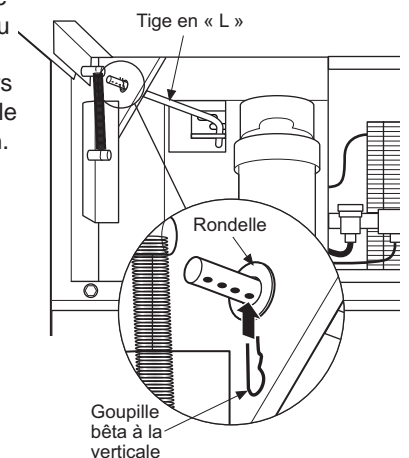
- Il y a 2 rondelles et une goupille bêta par tige. Retirez les rondelles et la goupille de l'extrémité de la tige.
- Faites pivoter et bouger la tige en « L » dans la fente de la languette du support antibasculement.



Une fois dans la fente, faites pivoter la tige de façon que sa partie en crochet pointe vers le bas. Les trous à l'extrémité avant de la tige doivent être en position verticale. Procédez ainsi des deux côtés.

- Tirez sur l'extrémité de la tige pour vous assurer qu'elle est bien enclenchée dans le support.
- Repérez le trou dans la tige qui se trouve au plus près de l'appareil. Une goupille bêta sera insérée dans ce trou pour verrouiller la tige. Si ce trou semble trop loin pour assurer un bon ajustement contre l'appareil, ajoutez une rondelle à la fois jusqu'à ce que la goupille soit bien ajustée dans le trou.

- Alignez la section droite de la goupille sur le trou du dessous de la tige. Poussez la goupille vers le haut jusqu'à ce qu'elle s'enclenche en position. Une pince peut être utilisée. **REMARQUE** : La goupille bêta doit être verticale une fois cette étape achevée pour s'assurer que la tige en « L » est bien enclenchée dans le support.

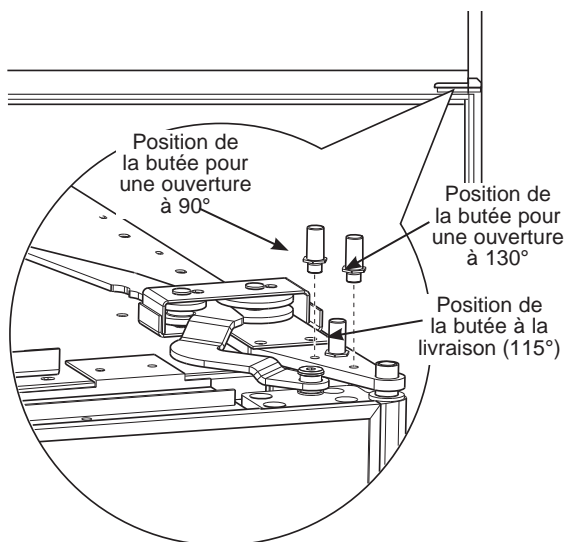


- Vérifiez le bon ajustement de la tige en la tirant vers l'avant. Si elle bouge, retirez la goupille bêta et placez une autre rondelle sur la tige. Réinsérez la goupille.
- Remplacez le panneau de grille.

Instructions d'installation – Installation standard

ÉTAPE 7 RÉGLER L'ANGLE D'OUVERTURE DE PORTE

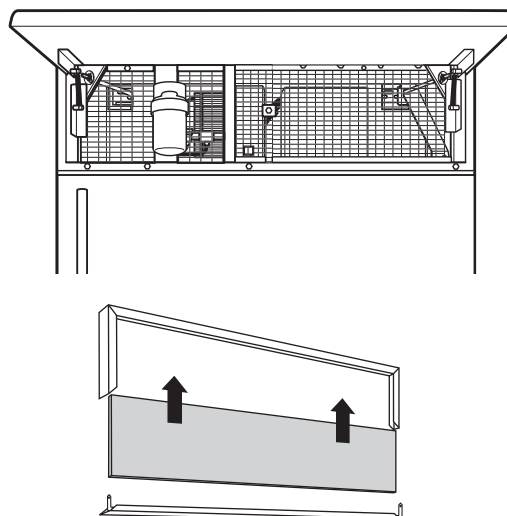
REMARQUE : Cet électroménager est doté d'une butée de porte à 3 positions. Si l'espace ne permet pas une ouverture de porte complète à 115°, il est possible de ramener l'angle à 90°. L'ouverture à 130° n'est possible que pour l'installation standard. Sautez cette étape si l'angle d'ouverture de porte est satisfaisante dans le cas de votre installation.



- Ouvrez le capot pour voir la charnière supérieure. Notez les positions de la butée de porte. Celle-ci est insérée à la position 115° à l'usine.
- Fermez la porte. Utilisez une pince pour dévisser la butée et la réinstaller à la position 90° ou 130°.

ÉTAPE 8 INSTALLER LE PANNEAU DE GRILLE

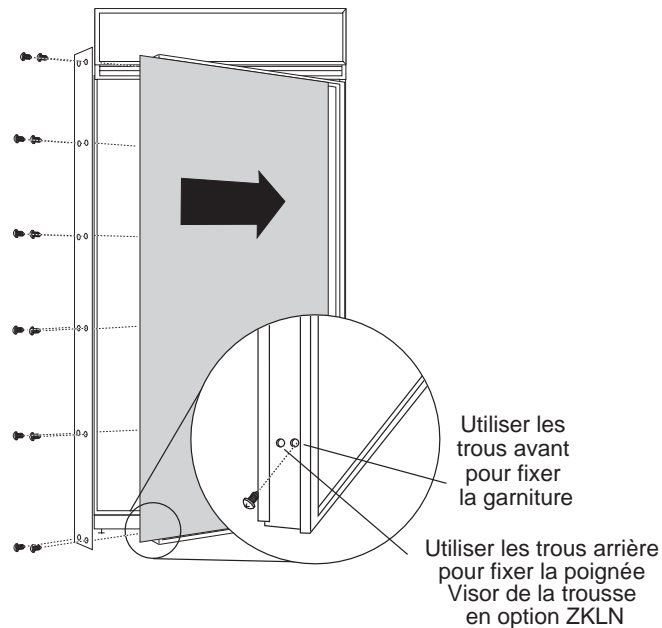
- Levez le panneau d'accès à sa position de blocage.



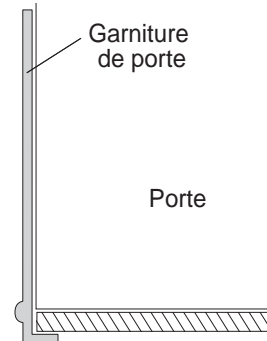
- Desserrez les vis de la garniture latérale derrière le cadre. Retirez la garniture inférieure.
- Glissez le panneau au-dessus du panneau métallique, dans la garniture.
- Si nécessaire, tapotez avec un bloc de bois jusqu'à ce que le panneau glisse sous la pièce de garniture supérieure.
- Réassemblez la garniture inférieure. Serrez les vis.
- Réglez le ressort de charnière selon le poids du panneau, si nécessaire.

Instructions d'installation – Installation standard

ÉTAPE 9 INSTALLER LES PANNEAUX ENCADRÉS



Modèles main droite illustrés. Utilisez les mêmes instructions pour les modèles main gauche.
SI VOUS INSTALLEZ DES PANNEAUX DE RECOUVREMENT, ALLEZ À L'ÉTAPE 9A.



- Il y a deux jeux de trous dans la garniture de poignée latérale. Replacer la garniture latérale de la poignée en installant les vis d'origine dans TOUS les trous de vis.

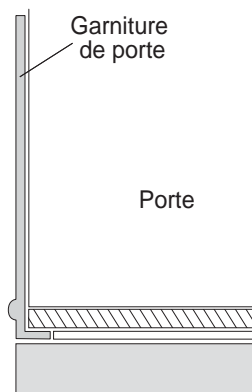
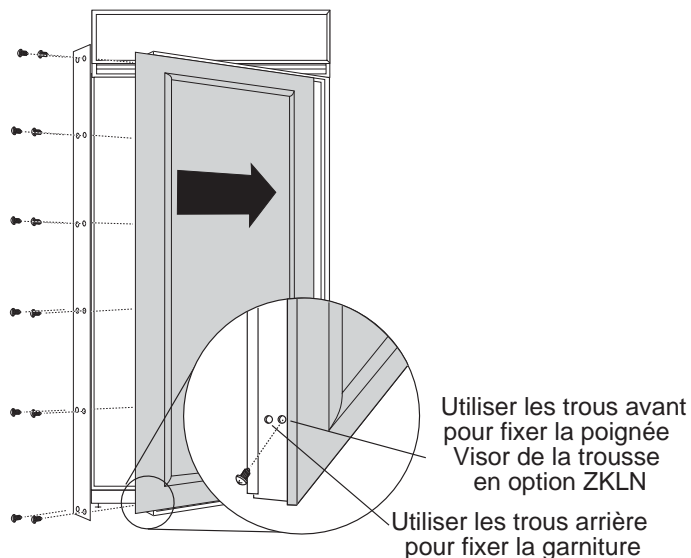
Installer le panneau de porte :

- Ouvrez la porte à 90°.
- Retirez les 12 vis qui fixent la garniture, levez la garniture pour la dégager. Conservez les vis.
- Glissez le panneau encadré dans la garniture de porte.

Instructions d'installation – Installation standard

ÉTAPE 9A INSTALLER LES PANNEAUX DE RECOUVREMENT

Modèles main droite illustrés. Utilisez les mêmes instructions pour les modèles main gauche.



Installer le panneau de porte :

- Ouvrez la porte à 90°. Retirez les 6 vis à tête cruciforme de la poignée de porte.
- Retirez la poignée. Conservez toutes les vis.
- Retirez les 6 vis qui fixent la garniture, levez la garniture pour la dégager. Conservez les vis.
- Glissez le panneau de recouvrement dans la garniture de porte.

Poignées personnalisées

Si vous utilisez des poignées personnalisées, la poignée doit être correctement fixée sur le panneau avant de glisser ce dernier dans la garniture.

- Le fabricant d'armoires fournira la poignée et la quincaillerie personnalisées.

- Il y a deux jeux de trous dans la garniture de poignée latérale. Replacer la garniture latérale de la poignée en installant les vis d'origine dans TOUS les trous de vis.

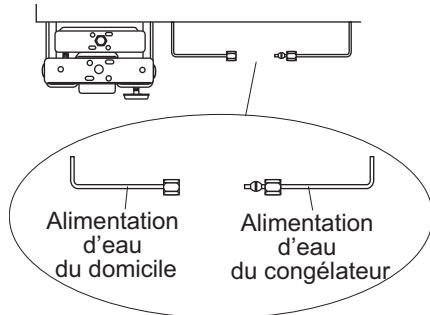
Instructions d'installation – Installation standard

ÉTAPE 10 RACCORDER L'ALIMENTATION D'EAU (CONGÉLATEURS SEULEMENT)

⚠ AVERTISSEMENT Raccordez l'appareil à une alimentation d'eau potable seulement. Une alimentation d'eau froide est requise pour faire fonctionner la machine à glaçons et le pichet à remplissage automatique. La pression d'eau doit se situer entre 40 et 120 psi. (275 à 827 kPa).

⚠ AVERTISSEMENT  RISQUE DE DÉCHARGE ÉLECTRIQUE

Fixez le collier de serrage dans le trou présent seulement. NE PERCEZ PAS dans le réfrigérateur.



- Repérez et acheminer le tuyau jusqu'à l'avant de l'appareil.
- Ouvrez l'alimentation d'eau pour rincer les débris dans la conduite. Faites circuler environ un litre d'eau dans un seau par le tuyau, puis fermez l'alimentation d'eau.

Tuyau en cuivre :

- Glissez un écrou 1/4 po et une bague (fournis) sur les deux extrémités du tuyau de cuivre. Insérez le tuyau dans le raccord union de l'appareil et serrez l'écrou sur ce raccord.
- Ouvrez l'eau pour vérifier l'absence de fuites.

Tuyau SmartConnect™ :

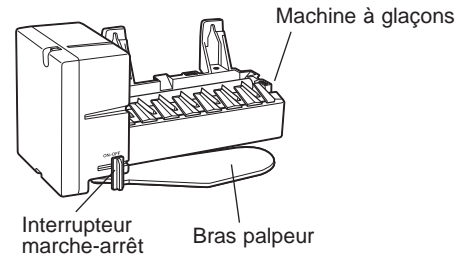
REMARQUE : Le seul tuyau en plastique approuvé par Monogram est celui des trousse de tuyau pour réfrigérateur SmartConnect™. N'utilisez pas d'autres tuyaux d'alimentation d'eau en plastique car le tuyau sera sous pression en tous temps. Les autres types de tuyau en plastique peuvent se fissurer et se rompre avec le temps et causer des dégâts d'eau dans votre domicile.

- Insérez l'extrémité moulée du tuyau dans le raccord de l'appareil ou du congélateur. Serrez l'écrou à compression à la main.
- Serrez d'un tour supplémentaire à l'aide d'une clé. Serrer excessivement peut causer des fuites!
- Ouvrez l'eau pour vérifier l'absence de fuites.

REMARQUE : Assurez-vous qu'une longueur de tuyau excédentaire ne gêne pas l'installation du coup-de-pied.

ÉTAPE 11 DÉMARRER LA MACHINE À GLAÇONS (CONGÉLATEURS SEULEMENT)

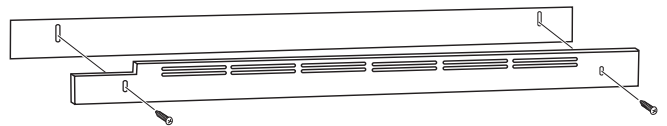
⚠ ATTENTION Afin de réduire le risque de blessure, évitez tout contact avec les pièces mobiles du mécanisme d'éjection ou l'élément chauffant qui libère les cubes. Ne placez pas les doigts ou les mains sur le mécanisme de production de glace automatique lorsque l'électroménager est branché dans la prise électrique.



- La machine à glaçons commencera à fonctionner automatiquement.
- Assurez-vous que rien ne gêne le mouvement du bras palpeur.
- Jetez le premier remplissage du bac à glaçons.
- Pour éteindre la machine à glaçons, glissez l'interrupteur à la position OFF (arrêt).

ÉTAPE 12 INSTALLER LE COUP-DE-PIED

- Repérer le coup-de-pied fourni (attachés sur le côté de l'appareil à la livraison). Installez l'assemblage de coup-de-pied à l'aide de 2 vis fournies, ajustez la hauteur désirée et serrez les vis.



IMPORTANT : Un coup-de-pied personnalisé peut être installé pour s'apparier aux armoires environnantes ou les compléter, mais il ne peut PAS recouvrir les fentes de ventilation horizontales du coup-de-pied installé à l'usine.

Instructions pour une installation affleurante

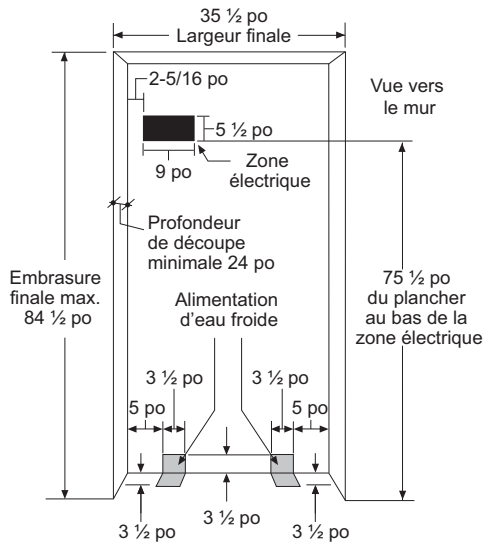
TROUSSE POUR INSTALLATION AFFLEURANTE ZKFN REQUISE

La trousse pour installation affleurante comprend les instructions d'installation, les coup-de-pieds modifiés, l'assemblage du caisson et d'autres composants nécessaires.

Installation en acier inoxydable

Guide technique – Installation en acier inoxydable

L'ESPACE D'INSTALLATION



Localisation des raccordements d'eau et électrique

Les raccordements d'eau et électrique doivent être situés tel qu'illustré.

La profondeur de découpe doit être de 24 po (60,96 cm) minimum

L'appareil se projettera vers l'avant, légèrement au-delà des armoires, selon votre installation.

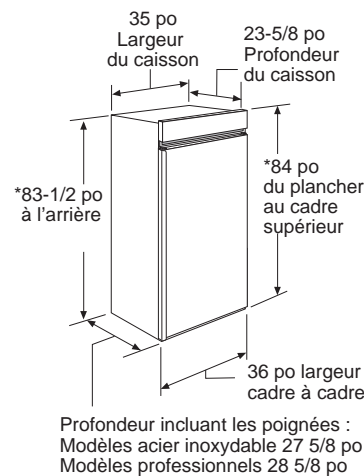
Profondeur de découpe en-dessous d'une sous-face :

Lors d'une installation en-dessous d'une sous-face, cette dernière ne doit pas excéder la profondeur d'installation de 24 po (60,96 cm) indiquée. Le garniture du caisson supérieur chevauche le bas de la sous-face.

Spécifications supplémentaires

- Une alimentation électrique de 115 volts, 60 Hz, 15 ou 20 ampères, est requise. Un circuit de dérivation distinct mis à la terre correctement ou un disjoncteur sont recommandés. Installez une prise électrique à 3 alvéoles correctement mise à la terre, encastrée dans le mur arrière. Le raccordement électrique doit être situé sur le mur arrière tel qu'illustré.
- La conduite d'eau peut pénétrer l'embrasure à travers le plancher ou le mur arrière. Cette conduite doit être constituée d'un tuyau de cuivre d'un diamètre extérieur de 1/4 po ou d'une trousse QuickConnect™ entre la conduite d'eau froide et le raccord d'eau, d'une longueur suffisante pour atteindre le devant de l'appareil. L'installation d'un robinet de sectionnement aisément accessible sur la conduite d'eau est requise.

DIMENSIONS ET DÉGAGEMENTS

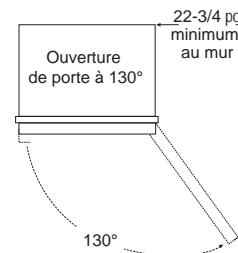


*Hauteur à la livraison. Le produit peut s'ajuster pour prendre place dans une découpe dont la hauteur est d'un maximum de 84 1/2 po (214,63 cm). Prenez note que la garniture du caisson supérieur sur le devant est plus haute de 1/2 po (1,27 cm) et qu'elle chevauchera la sous-face ou l'armoire du dessus. Utilisez les pieds de nivellement et les roulettes pour régler la hauteur d'un maximum de 1 po (2,54 cm).

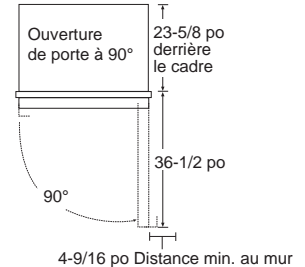
Dégagements du produit

Ces appareils sont dotés d'une butée de porte à 3 positions. L'angle d'ouverture de porte réglé à 115° à l'usine peut se ramener à 90° si le dégagement aux armoires ou aux murs adjacents est restreint. Commandez une butée de porte WX14X99 pour un réglage précis entre 90° et 130°.

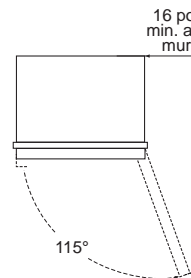
Ouverture de porte à 130°



Ouverture de porte à 90°



Ouverture de porte à 115°



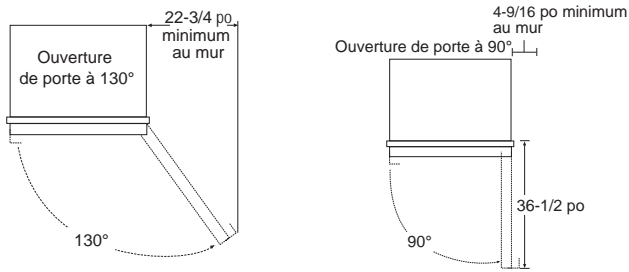
Allouez un dégagement minimal de 22-3/4 po (57,8 cm) pour une ouverture de porte complète à 130°. Allouez 15 po (38,1 cm) pour le retrait du plateau.

Pour une ouverture de porte à 90°, allouez un dégagement minimum de 4-9/16 po (11,81 cm) à un mur pour les modèles à panneau encadré ou en acier inoxydable. Si la position de butée à 90° est utilisée, l'accès au plateau est maintenu mais son retrait est restreint.

Voyez l'illustration de la page 42 pour déterminer la relation entre l'ouverture de porte et les armoires et comptoirs adjacents.

Guide technique – Installation en acier inoxydable

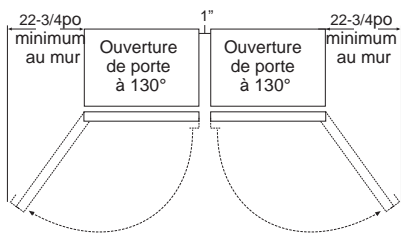
DÉGAGEMENTS



Ces appareils sont dotés d'une butée de porte à 3 positions. L'angle d'ouverture de porte réglé à 115° à l'usine peut se ajusté à 90° ou 130° si le dégagement aux armoires ou aux murs adjacents est restreint. Commandez une butée de porte WX14X99 pour un réglage précis entre 90° et 130°.

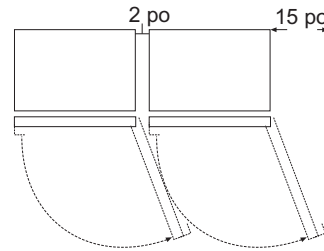
Installation dans un coin :

Allouez 25 po (63,5 cm) pour une ouverture pleine à 130°. Allouez 15 po (38,1 cm) pour le retrait du plateau. Allouez un dégagement minimal de 4 po (10,16 cm) si l'ouverture de la porte est réglée à 90° pour l'accès au plateau; le retrait de ce dernier sera toutefois restreint.



Dégagements pour installations avec portes simples côte à côte

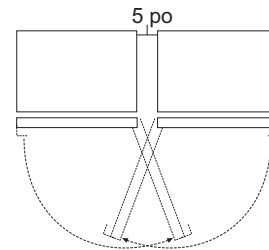
Pour l'installation côte à côte de produits l'un s'ouvrant à gauche, l'autre à droite, un dégagement de 1 po (2,54 cm) entre les deux est requis. Commandez une trousse d'union ZKBSN720NSS pour une apparence intégrée de 2 modèles en acier inoxydable installés côte-à-côte. Commandez la trousse d'union ZKBFN720NII pour une apparence intégrée de 2 modèles à panneaux personnalisés installés côte-à-côte.



Dégagements pour deux produits côte à côte s'ouvrant du même côté (gauche ou droit)

Allouez un dégagement minimum de 2 po (5,08 cm) entre les produits afin de ne pas gêner l'ouverture des portes. Commandez une butée de porte réglable WX14X99 afin de réduire l'angle de 115° déterminé à l'usine. Allouez un minimum de 15 po (38,1 cm) au mur pour obtenir une ouverture complète du tiroir et le retrait du plateau.

REMARQUE : La trousse d'union ZKBSN720NSS et ZKBFN720NII ne convient PAS à cette installation.



Dégagements pour deux produits côte à côte avec charnières gauche et droite ensemble Allouez 5 po (12,7 cm) entre les deux produits afin d'empêcher qu'une porte heurte l'autre. Utilisez une butée de porte réglable WX14X99 afin de réduire l'angle de 115° déterminé à l'usine et ainsi permettre le retrait du plateau.

REMARQUE : La trousse d'union ZKBSN720NSS et ZKBFN720NII ne convient PAS à cette installation.

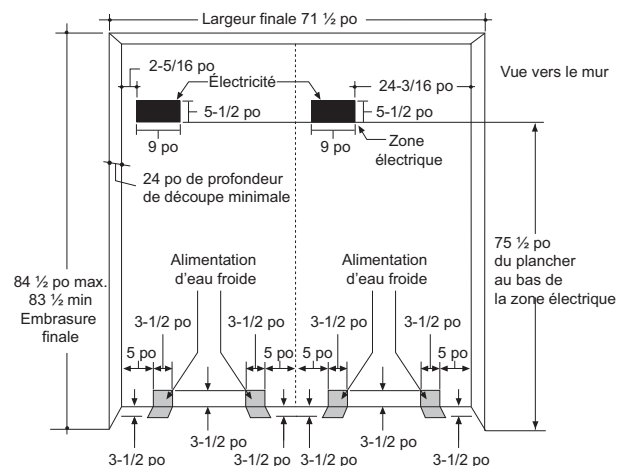
INSTALLATION

Trousse d'union ZKBSN720NSS et ZKBFN720NII

• Si vous installez deux appareils côte à côte, l'espace d'installation doit avoir une largeur de 71 1/2 po (181,61 cm).

REMARQUE : Une découpe supplémentaire en largeur peut s'avérer nécessaire si des panneaux latéraux sont utilisés. Ajoutez l'épaisseur des panneaux latéraux à la découpe « finale » pour calculer la largeur.

- Les raccordements d'eau et électrique de chaque produit doivent être situés tel qu'illustré.
- Une alimentation électrique distincte de 115 V, 60 Hz, 15 à 20 ampères, est recommandée pour chaque produit.



Guide technique – Installation en acier inoxydable

RENSEIGNEMENTS SUR LA PERSONNALISATION :

Réfrigérateurs enveloppés d'acier inoxydable

Ces réfrigérateurs sont dotés de portes, d'un panneau de grille, de bords biseautés et de poignées tubulaires en acier inoxydable qui s'agencent avec les autres électroménagers Monogram. Ces modèles sont prêts pour l'installation à la livraison. Ces modèles ne comprennent pas les poignées.



Statement Handles
ZKSP1H1PNBSS



Minimalist Handles
ZKSP1H1CNBSS

*Poignées en option – Lors de la commande de ce produit, assurez-vous d'utiliser le numéro de modèle associé à la poignée choisie.

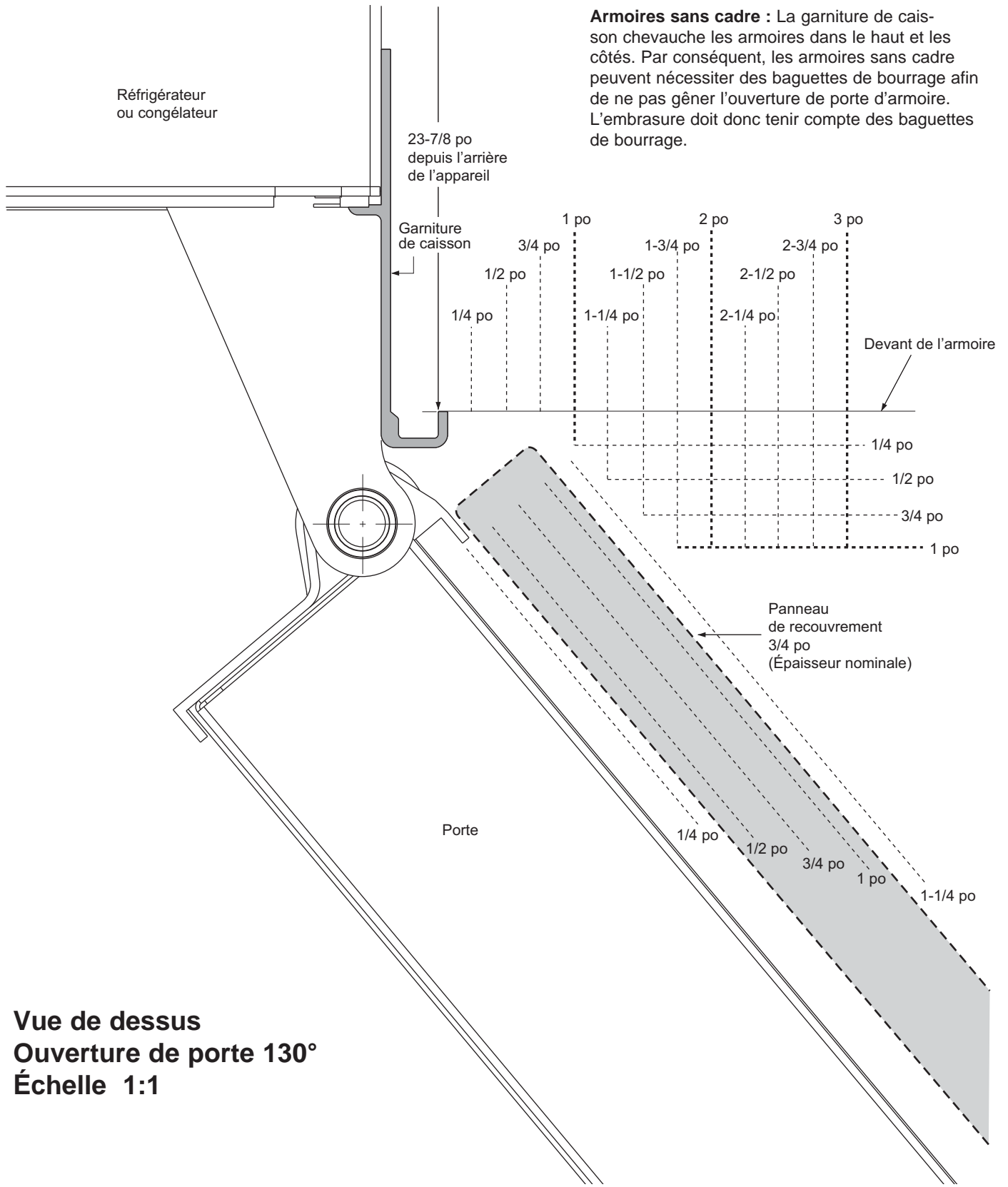
EMPLACEMENT DU RÉFRIGÉRATEUR

- N'installez pas le réfrigérateur là où la température descendra sous 55 °F (13 °C). Il ne fonctionnera pas à une fréquence suffisante pour maintenir des températures adéquates.
- N'installez pas le réfrigérateur là où la température s'élèvera au-dessus de 100 °F (37 °C). Il ne fonctionnera pas correctement.
- N'installez pas le réfrigérateur à un endroit exposé à l'eau (pluie, etc.) ou aux rayons directs du soleil.
- Installez le réfrigérateur sur un plancher suffisamment solide pour le supporter en pleine charge.

TROUSSES D'ACCESSOIRES EN OPTION

- **ZKBSN720NSS**: Trousse d'union ZKBSN720NSS pour une apparence intégrée sur 2 modèles en acier inoxydable installés côte-à-côte.

Guide technique – Installation en acier inoxydable



Vue de dessus
Ouverture de porte 130°
Échelle 1:1

Instructions d'installation – Installation en acier inoxydable

OUTILS ET MATÉRIAUX NÉCESSAIRES

- Cisaille de ferblantier pour couper le cerclage
- Tournevis cruciforme no 2
- Escabeau
- Perceuse et forets 1/2 et 3/16 po
- Seau
- Douilles 1/4, 1/2, 5/16 et 7/16 po
- Niveau
- Lunettes de protection
- Diable pour électroménagers
- Pince
- Coupe-tube
- Détecteur de montant
- Clés ouvertes 7/16 et 1 ¼ po
- Tuyau de conduite d'eau en cuivre 1/4 po ou trousse de tuyau pour réfrigérateur SmartConnect™
- Robinet de sectionnement d'eau (facultatif mais recommandé)
- Panneaux personnalisés pour porte et panneau de grille
- Vis pour fixer l'appareil aux armoires
- Bandes autoagrippantes adhésives pour panneaux latéraux 1/4 po (0,63 cm)

QUINCAILLERIE FOURNIE

- Bouchon de dérivation de filtre à eau
- Support antibasculément
- 3 tirefonds
- 2 goupilles bêta (forme d'épingle à cheveux)
- 4 rondelles
- 5 ancrages à ailettes avec boulons
- Coup-de-pied

PLANCHER

Pour une installation correcte, il faut placer ce produit sur la surface de niveau d'un matériau solide de la même hauteur que le reste du plancher. Cette surface doit être suffisamment solide pour supporter un réfrigérateur ou congélateur en pleine charge, soit environ 1200 lb (545 kg) par appareil.

REMARQUE : Protégez la fini du plancher. Découpez une grande section de carton et placez-la sous le produit là où vous travaillez.

REMARQUE : Non recommandé pour l'installation sur un plancher recouvert de moquette.

LA TERRE DE L'UNITÉ

⚠ AVERTISSEMENT  **Risque de choc électrique.**

Le non-respect de ces instructions peut entraîner des risques d'incendies, des chocs électriques ou la mort.

Le cordon d'alimentation de cet appareil est équipé d'une fiche à trois broches (pour une mise à la terre) qui s'adapte à la prise de courant standard à 3 broches (pour une mise à la terre) pour minimiser les risques de chocs électriques par cet appareil.

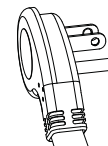
Faites vérifier la prise murale et le circuit électrique par un électricien qualifié pour s'assurer que le système est correctement mis à la terre.

Dans le cas d'une prise biphasée, l'installateur a la responsabilité et l'obligation de la remplacer par une prise triphasée correctement mise à la terre.

NE COUPEZ PAS OU N'ENLEVEZ PAS, SOUS AUCUN PRÉTEXTE, LA TROISIÈME BROCHE DE MISE À LA TERRE DU CORDON D'ALIMENTATION.

N'UTILISEZ PAS D'ADAPTATEUR POUR BRANCHER LE RÉFRIGÉRATEUR À UNE PRISE BIPHASÉE.

N'UTILISEZ PAS DE RALLONGE AVEC CET APPAREIL.



Instructions d'installation – Installation en acier inoxydable

ÉTAPE 1 RETIRER L'EMBALLAGE

⚠ AVERTISSEMENT



Risque de

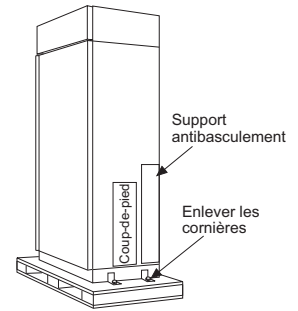
basculement Le produit est beaucoup plus lourd en haut qu'en bas. Il faut être prudent lors des déplacements. Si un diable est utilisé, il faut soulever le réfrigérateur sur le côté seulement.

- Avec précaution, coupez le cerclage dans le haut et le bas, retirez la boîte extérieure.
- Retirez les montants d'angle arrière (2) en les glissant.
- Retirez la boîte dans le haut de la carrosserie.

REMARQUE : IL N'EST PAS NÉCESSAIRE DE COUCHER L'APPAREIL POUR RETIRER LA PALETTE!

REMARQUE : NE TENTEZ PAS DE ROULER L'APPAREIL HORS DE LA PALETTE.

- L'appareil est fixé à la palette au moyen de 4 cornières à fente. Retirez les quatre boulons 5/16 po des rainures de base dans les cornières.
- Retirez le coup-de-pied et le support mural. Mettez-les de côté pour l'installation finale.
- Soulevez l'appareil pour le dégager de la palette à l'aide d'un diable pour électroménagers. Manipulez l'appareil par ses côtés.
- Retirez les quatre boulons 7/16 po qui fixent les cornières dans la palette.



ÉTAPE 2 INSTALLER LA CONDUITE D'EAU

⚠ AVERTISSEMENT

Raccordez l'appareil à une alimentation d'eau potable seulement. Une alimentation d'eau froide est requise pour faire fonctionner la machine à glaçons et le pichet à remplissage automatique. La pression d'eau doit se situer entre 40 et 120 psi. (275 à 827 kPa).

⚠ AVERTISSEMENT



RISQUE DE DÉCHARGE ÉLECTRIQUE

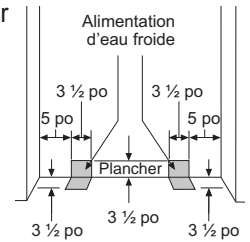
Fixez le collier de serrage dans le trou présent seulement. NE PERCEZ PAS dans le réfrigérateur.

- Acheminez le tuyau de cuivre 1/4 po (dia. ext.) ou le tuyau en plastique SmartConnect™ entre la conduite d'eau froide du domicile et le lieu du raccordement d'eau.
- Le tuyau doit être suffisamment long pour atteindre le devant de l'appareil. Allouez une longueur suffisante pour tenir compte de la courbe menant au raccord de la conduite d'eau.

REMARQUE : Le seul tuyau en plastique approuvé par Monogram est celui des trousse de tuyau pour réfrigérateur SmartConnect™. N'utilisez pas d'autres tuyaux d'alimentation d'eau en plastique car le tuyau sera sous pression en tous temps. Les autres types de tuyau en plastique peuvent se fissurer et se rompre avec le temps et causer des dégâts d'eau dans votre domicile.

Les trousse de tuyau pour réfrigérateur SmartConnect™ sont offertes dans les longueurs suivantes :

2' (.6 m)	WX08X10002
8' (2.4 m)	WX08X10006
15' (4.6 m)	WX08X10015
25' (7.6 m)	WX08X10025



Fermez l'alimentation d'eau principale.

Ouvrez le robinet le plus près suffisamment longtemps pour nettoyer la conduite d'eau.

- Installez un robinet de sectionnement entre le robinet d'eau de la machine à glaçons et le tuyau d'eau froide dans le sous-sol ou une armoire. **Le robinet de sectionnement doit se situer à un endroit facilement accessible.**
- Ouvrez l'alimentation d'eau principale et rincez les débris. Faites circuler environ un litre d'eau dans un seau par le tuyau. Fermez l'alimentation d'eau au robinet de sectionnement.

REMARQUE : Des robinets de sectionnement à étrier sont inclus dans plusieurs trousse d'alimentation d'eau. Avant d'acheter, assurez-vous que ce type de robinet est conforme à votre code de plomberie local.

REMARQUE : Les codes de plomberie 248CMR du Commonwealth du Massachusetts doivent être respectés. Les robinets à étrier sont illégaux et leur utilisation prohibée dans le Massachusetts. Consultez votre plombier agréé.

ÉTAPE 3 INSTALLER LES PANNEAUX LATÉRAUX

Sautez cette étape si vous n'utilisez pas de panneaux latéraux. Si vous utilisez des panneaux latéraux de 1/4 po, ils doivent être insérés dans la garniture du caisson.

Fixez les panneaux à l'appareil à l'aide de bandes autoagrippantes adhésives avant de mettre l'appareil en place.

Instructions d'installation – Installation en acier inoxydable

ÉTAPE 4 INSTALLER LE SUPPORT ANTIBASCULEMENT

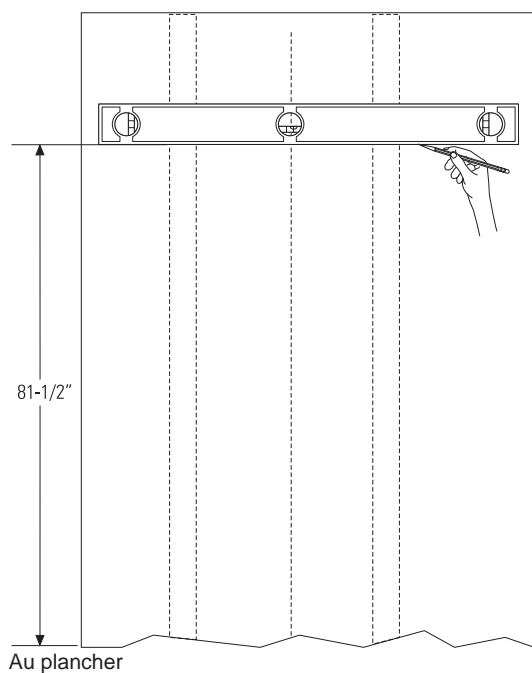
⚠ AVERTISSEMENT



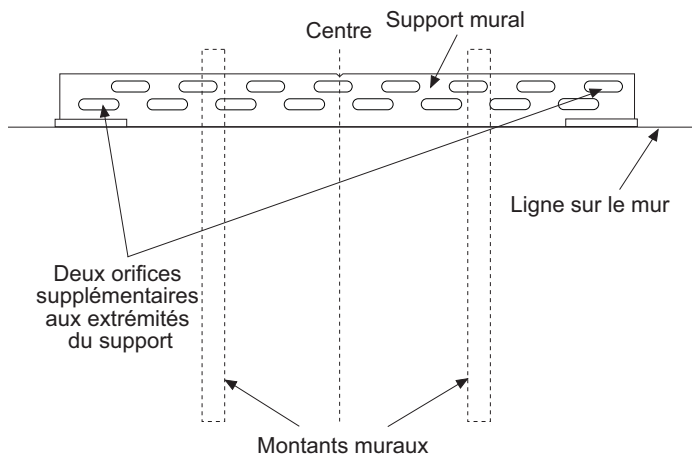
Risque de

basculement L'appareil ménager est beaucoup plus lourd en haut et il faut le maintenir en place pour éviter la possibilité de son basculement vers l'avant.

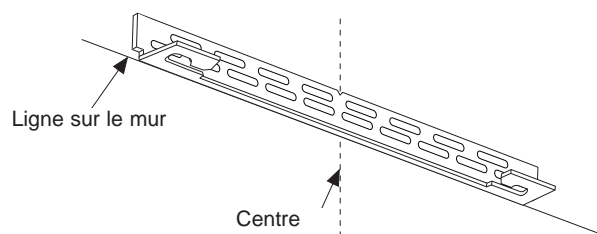
- La trousse fournie avec l'appareil contient 2 tirefonds et 4 ancrages à ailettes avec boulons. Le support mural sera fixé au mur à 4 endroits.
- Mesurez l'embrasure où l'appareil sera installé. Marquez le centre par une ligne verticale.
- Mesurez jusqu'à 81 ½ po (207,01 cm) depuis le plancher. Marquez ce point sur le mur.
- À l'aide d'un niveau, tracez une ligne horizontale sur le mur à cette hauteur.
- Repérez au moins 2 montants sur le mur arrière. Marquez ces points sur la ligne horizontale.



- Placez le bas du support mural muni de languettes sur la ligne horizontale. Alignez l'encoche centrale du support sur la ligne de centre sur le mur.
- Le support mural antibasculement est percé d'une série de trous ovales. Choisissez 2 ovales qui correspondent aux montants repérés. Assurez-vous que les ovales choisis sont au centre des montants. Marquez le mur à ces points.



- Marquez un trou supplémentaire à chaque extrémité du support. Si l'un des montants est plus près d'une extrémité du support, marquez un trou supplémentaire vers le centre du support.

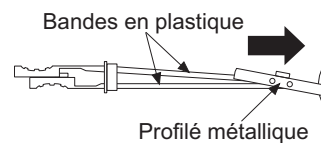


- Percez des trous de 1/2 po (1,27 cm) dans le panneau mural aux marques où les ancrages à ailettes seront insérés (et non aux marques des montants).
- Percez des trous de 3/16 po (0,47 cm) dans les montants de bois aux marques. Si les montants sont en acier, percez des trous de 1/2 po (1,27 cm) dans ces montants aux marques. Vous utiliserez 2 ancrages à ailettes pour les montants en acier.

Installer les ancrages à ailettes muraux :

Pour se procurer les ancrages à ailettes et les boulons associés, on peut commander la trousse de réparation no WR49X10193. Les ancrages à ailettes sont installés dans les cloisons sèches et les montants métalliques pour la stabilité. Installez ces ancrages de la façon suivante :

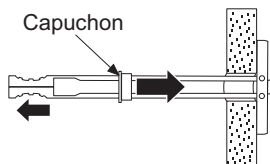
- Percez des trous de 1/2 po (1,27 cm) aux points marqués dans les ovales aux extrémités du support mural.
- Tenez le profilé métallique à plat contre les bandes en plastique et glissez le profilé dans le trou.



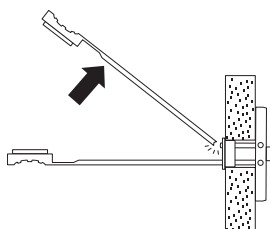
Instructions d'installation – Installation en acier inoxydable

ÉTAPE 4 INSTALLER LE SUPPORT ANTIBASCULEMENT (suite)

- Tirez délicatement les extrémités des bandes en plastique vers l'arrière pour que le profilé se place à angle droit derrière le mur.
- Tenez les extrémités des bandes d'une main et glissez le capuchon en plastique le long des bandes jusqu'à ce que le rebord du capuchon soit à égalité du mur.

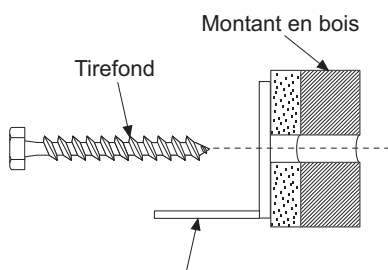


- Placez votre pouce entre les bandes en plastique puis pliez celles-ci de haut en bas pour les dégager du mur.



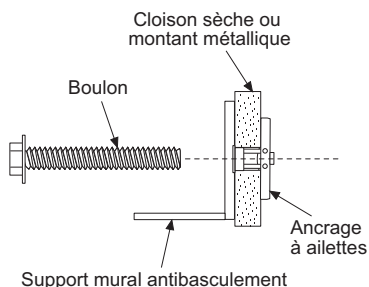
Installez les vis et les boulons :

- Demandez à une personne de tenir le support mural centré et en position, avec chaque trou aligné sur chaque ovale correspondant du support, de niveau avec la ligne horizontale.
- Insérez les tirefonds à travers le support dans le montant. Serrez à l'aide d'une clé.



Support mural antibasculément

- Vissez à la main les boulons dans les ancrages jusqu'au bout. Serrez ensuite avec une clé.

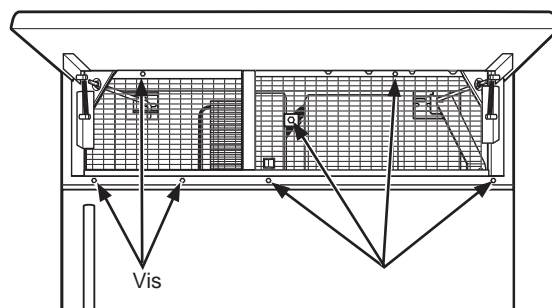


Support mural antibasculément

Retirer les grilles pour l'accès aux crochets de verrouillage antibasculément

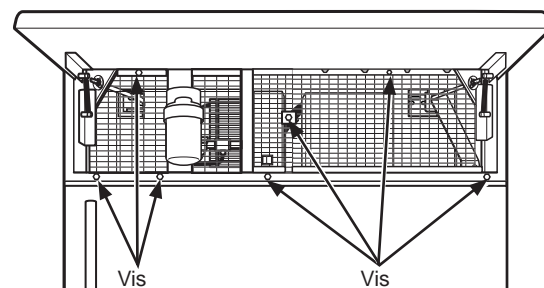
Réfrigérateur

- Ouvrez le panneau d'accès.
- Retirez 4 vis de la grille à droite et 3 vis de la grille à gauche.
- Tirez le bas des grilles vers l'avant, le bas puis l'extérieur pour les dégager.



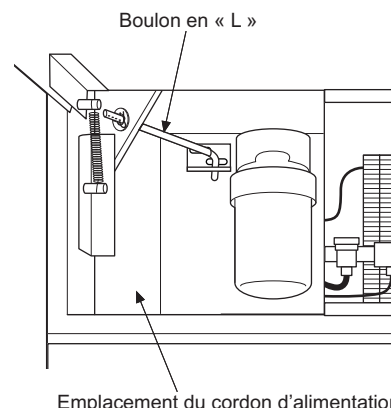
Congélateur

- Ouvrez le panneau d'accès.
- Retirez 4 vis de la grille à droite et 3 vis de la grille à gauche.
- Tirez le bas des grilles vers l'avant, le bas puis l'extérieur pour les dégager.



Cordon d'alimentation

Repérez le cordon d'alimentation à l'intérieur de la cavité gauche. S'il n'a pas été disposé pour que sa fiche soit facilement accessible, faites-le maintenant.



Emplacement du cordon d'alimentation

Instructions d'installation – Installation en acier inoxydable

ÉTAPE 4 INSTALLER LE SUPPORT ANTIBASCULEMENT (suite)

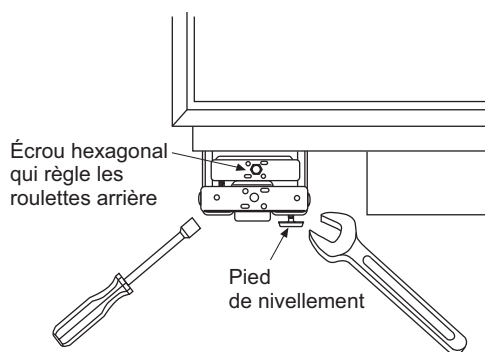
Déplacez l'appareil à sa position finale

- Déplacez l'appareil vers sa position installée finale. Alignez les languettes du support mural sur les orifices à l'arrière de l'appareil.
- L'appareil est doté de boulons en « L » dans les coins gauche et droit supérieurs à l'intérieur du compartiment d'accès. Ces boulons vont s'enclencher sur le support mural et fixer l'appareil à l'aide de rondelles et de goupilles bêta (fournies dans la trousse de quincaillerie) une fois celui-ci mis de niveau dans sa position finale.

ÉTAPE 5 METTRE L'APPAREIL DE NIVEAU

Tous les modèles sont dotés de 4 points de nivellement. Le devant est supporté par des pieds de nivellement, l'arrière par des roulettes réglables. Les deux types sont accessibles depuis le devant de l'appareil.

- Pour mettre de niveau l'arrière de l'appareil, tournez l'écrou hexagonal 7/16 po situé au-dessus des roulettes frontales. Tournez dans le sens des aiguilles pour lever l'appareil ou dans le sens contraire pour l'abaisser.
- Pour la mise à niveau du devant, utilisez une clé ouverte de 1 ¼ po.
- Réglez la hauteur de l'appareil pour l'adapter à l'embrasure découpée de 84 ½ po (214,63 cm). L'appareil doit être de niveau et d'équerre avec les armoires.

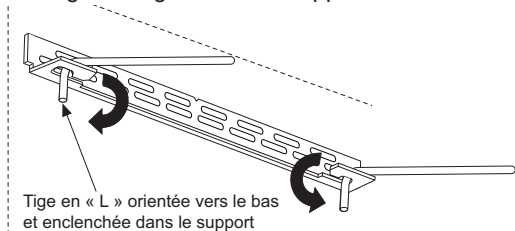


Le réglage en hauteur des roulettes arrière et des pieds de nivellement à l'avant est limité à 1 po (2,54 cm). Si l'installation exige une hauteur supérieure à 84 ½ po (214,63 cm), l'installateur doit monter l'appareil sur une feuille de contreplaqué ou des patins. Une garniture d'armoire pourra aussi être ajoutée dans le haut de l'embrasure pour la raccourcir. Si vous tentez d'élever l'appareil de plus de 1 po (2,54 cm), vous allez endommager les pieds de nivellement et les roulettes.

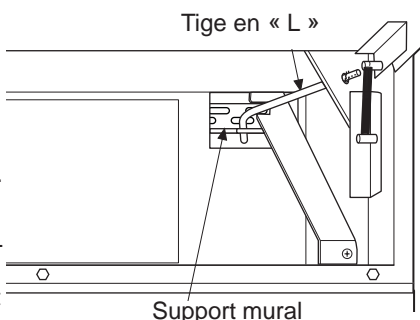
Instructions d'installation – Installation en acier inoxydable

ÉTAPE 6 FIXER L'APPAREIL SUR LE MUR

- Les tiges en « L » se trouvent dans les coins gauche et droit supérieurs de l'appareil dans le compartiment d'accès. Regardez dans le compartiment d'accès pour vous assurer que les tiges s'alignent sur le support antibasculement.



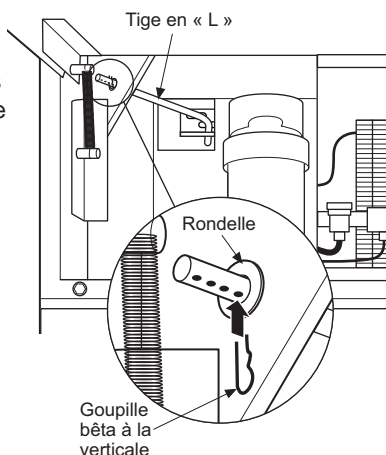
- Il y a 2 rondelles et une goupille bêta par tige. Retirez les rondelles et la goupille de l'extrémité de la tige.
- Faites pivoter et bouger la tige en « L » dans la fente de la languette du support antibasculement.



Une fois dans la fente, faites pivoter la tige de façon que sa partie en crochet pointe vers le bas. Les trous à l'extrémité avant de la tige doivent être en position verticale. Procédez ainsi des deux côtés.

- Tirez sur l'extrémité de la tige pour vous assurer qu'elle est bien enclenchée dans le support.
- Repérez le trou dans la tige qui se trouve au plus près de l'appareil. Une goupille bêta sera insérée dans ce trou pour verrouiller la tige. Si ce trou semble trop loin pour assurer un bon ajustement contre l'appareil, ajoutez une rondelle à la fois jusqu'à ce que la goupille soit bien ajustée dans le trou.

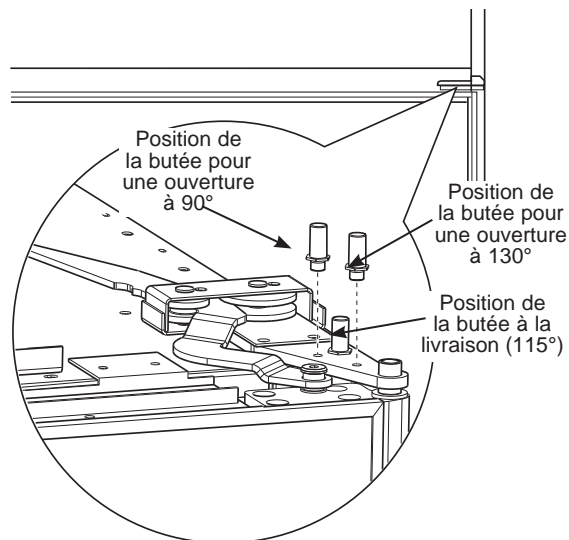
- Alignez la section droite de la goupille sur le trou du dessous de la tige. Poussez la goupille vers le haut jusqu'à ce qu'elle s'enclenche en position. Une pince peut être utilisée. **REMARQUE** : La goupille bêta doit être verticale une fois cette étape achevée pour s'assurer que la tige en « L » est bien enclenchée dans le support.



- Vérifiez le bon ajustement de la tige en la tirant vers l'avant. Si elle bouge, retirez la goupille bêta et placez une autre rondelle sur la tige. Réinsérez la goupille.
- Remplacez le panneau de grille.

ÉTAPE 7 RÉGLER L'ANGLE D'OUVERTURE DE PORTE

REMARQUE : Cet électroménager est doté d'une butée de porte à 3 positions. Si l'espace ne permet pas une ouverture de porte complète à 115°, il est possible de ramener l'angle à 90°. L'ouverture à 130° n'est possible que pour l'installation standard. Sautez cette étape si l'angle d'ouverture de porte est satisfaisante dans le cas de votre installation.



- Ouvrez le capot pour voir la charnière supérieure. Notez les positions de la butée de porte. Celle-ci est insérée à la position 115° à l'usine.
- Fermez la porte. Utilisez une pince pour dévisser la butée et la réinstaller à la position 90° ou 130°. Fermez la grille.

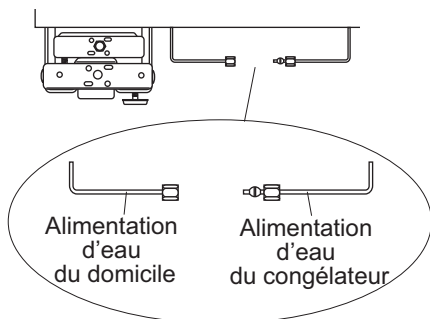
Instructions d'installation – Installation en acier inoxydable

ÉTAPE 8 RACCORDER L'ALIMENTATION D'EAU (CONGÉLATEURS SEULEMENT)

⚠ AVERTISSEMENT Raccordez l'appareil à une alimentation d'eau potable seulement. Une alimentation d'eau froide est requise pour faire fonctionner la machine à glaçons et le pichet à remplissage automatique. La pression d'eau doit se situer entre 40 et 120 psi. (275 à 827 kPa).

⚠ AVERTISSEMENT  RISQUE DE DÉCHARGE ÉLECTRIQUE

Fixez le collier de serrage dans le trou présent seulement. NE PERCEZ PAS dans le réfrigérateur.



- Repérez et acheminer le tuyau jusqu'à l'avant de l'appareil.
- Ouvrez l'alimentation d'eau pour rincer les débris dans la conduite. Faites circuler environ un litre d'eau dans un seau par le tuyau, puis fermez l'alimentation d'eau.

Tuyau en cuivre :

- Glissez un écrou 1/4 po et une bague (fournis) sur les deux extrémités du tuyau de cuivre. Insérez le tuyau dans le raccord union de l'appareil et serrez l'écrou sur ce raccord.
- Ouvrez l'eau pour vérifier l'absence de fuites.

Tuyau SmartConnect™ :

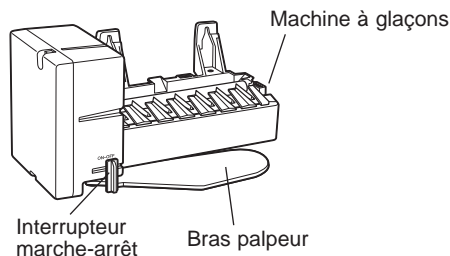
REMARQUE : Le seul tuyau en plastique approuvé par Monogram est celui des trousse de tuyau pour réfrigérateur SmartConnect™. N'utilisez pas d'autres tuyaux d'alimentation d'eau en plastique car le tuyau sera sous pression en tous temps. Les autres types de tuyau en plastique peuvent se fissurer et se rompre avec le temps et causer des dégâts d'eau dans votre domicile.

- Insérez l'extrémité moulée du tuyau dans le raccord de l'appareil ou du congélateur. Serrez l'écrou à compression à la main.
- Serrez d'un tour supplémentaire à l'aide d'une clé. Serrer excessivement peut causer des fuites!
- Ouvrez l'eau pour vérifier l'absence de fuites.

REMARQUE : Assurez-vous qu'une longueur de tuyau excédentaire ne gêne pas l'installation du coup-de-pied.

ÉTAPE 9 DÉMARRER LA MACHINE À GLAÇONS (CONGÉLATEURS SEULEMENT)

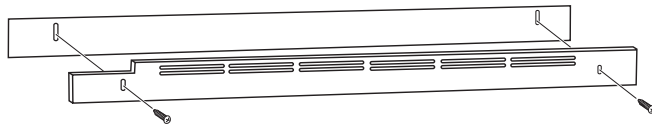
⚠ ATTENTION Afin de réduire le risque de blessure, évitez tout contact avec les pièces mobiles du mécanisme d'éjection ou l'élément chauffant qui libère les cubes. Ne placez pas les doigts ou les mains sur le mécanisme de production de glace automatique lorsque l'électroménager est branché dans la prise électrique.



- La machine à glaçons commencera à fonctionner automatiquement.
- Assurez-vous de ne pas gêner le mouvement du bras palpeur.
- Jetez le premier remplissage du bac à glaçons.
- Pour éteindre la machine à glaçons, glissez l'interrupteur à la position OFF (arrêt).

ÉTAPE 10 INSTALLER LE COUP-DE-PIED

- Repérez les coups-de-pied fournis (attachés sur le côté de l'appareil à la livraison). Débarrassez-vous de l'autre jeu de coups-de-pied. Installez l'assemblage de coup-de-pied à l'aide de 2 vis fournies, ajustez la hauteur désirée et serrez les vis.



IMPORTANT : Un coup-de-pied personnalisé peut être installé pour s'apparier aux armoires environnantes ou les compléter, mais il ne peut PAS recouvrir les fentes de ventilation horizontales du coup-de-pied installé à l'usine.

REMARQUE : Il est important de porter des lunettes de sécurité en effectuant les installations décrites dans ce manuel.

REMARQUE : L'amélioration des produits fait l'objet d'un effort constant chez Monogram. Par conséquent, les matières, l'aspect et les spécifications sont sujets à changement sans préavis.



MONOGRAM



INSTRUCCIONES DE INSTALACIÓN

con Guía de Diseño
Refrigeradores y Freezers Incorporados de 36"

ESPAÑOL

MONOGRAM.COM

Información de seguridad

ANTES DE COMENZAR

Lea estas instrucciones en su totalidad y atentamente.

- **IMPORTANTE** – Conserve estas instrucciones para uso del inspector local. Cumpla con todos los códigos y ordenanzas gubernamentales.
- **Nota para el Instalador** – Asegúrese de que el Comprador conserve estas instrucciones.
- **Nota para el Consumidor** – Guarde estas instrucciones con su Manual del Propietario para referencia futura.

Si la unidad que recibió está dañada, se deberá comunicar de inmediato con su vendedor o fabricante.

Nivel de habilidad – La instalación de esta unidad requiere un nivel básico de habilidades mecánicas, de carpintería y plomería. La correcta instalación del producto es responsabilidad del instalador. Si se producen fallas en el producto debido a una instalación inadecuada, la Garantía de Monogram no cubrirá las mismas. Para obtener información sobre la garantía, consulte el Manual del Propietario.

⚠ ADVERTENCIA



Riesgo de Descarga Eléctrica

Enchufe en un tomacorriente con conexión a tierra de 3 cables.

No elimine el cable de conexión a tierra.

No use un adaptador.

Inmediatamente interrumpa el uso de un cable de suministro de corriente dañado. Si el cable de corriente se encuentra dañado, su reemplazo deberá ser realizado por un profesional calificado del servicio técnico, utilizando una pieza del servicio técnico autorizada por el fabricante.

No use prolongadores con este electrodoméstico.

Si no se siguen estas instrucciones, se podrá producir la muerte, incendios o descargas eléctricas.

Siga las instrucciones que figuran en la sección de Conexión de Tierra de la unidad.

Este electrodoméstico deberá ser instalado por algún medio en el cableado fijo del hogar o en un disyuntor para desconectar el electrodoméstico del suministro eléctrico luego de la instalación.

⚠ ADVERTENCIA



Riesgo de Caída

Estos electrodomésticos son inestables, especialmente cuando una puerta se encuentre abierta, y deben estar asegurados a fin de evitar caídas hacia adelante que podrían resultar en la muerte o en lesiones graves. Lea y siga las instrucciones de instalación en su totalidad para asegurar el electrodoméstico con el sistema antivoltaduras.

⚠ ADVERTENCIA



Riesgo de Incendio o Explosión

Mantenga cualquier material y vapores inflamables alejados del electrodoméstico. Si no se cumple con esto, se podrá producir una explosión, un incendio o la muerte.

⚠ ADVERTENCIA

A fin de reducir el riesgo asociado con descargas, no permita que los niños menores de 3 años de edad tengan acceso a las partes pequeñas durante la instalación de este producto.

⚠ PRECAUCIÓN

Riesgo al levantar la puerta

Esta unidad es muy pesada. A fin de reducir el riesgo de lesión de una persona al maniobrar e instalar este electrodoméstico, se requiere contar con 3 personas para una correcta instalación.

⚠ PRECAUCIÓN

Mantenga los dedos fuera de los espacios de “riesgo de lastimaduras”; los espacios entre las puertas y entre las puertas y el gabinete son necesariamente pequeños. Tenga el cuidado de cerrar las puertas cuando los niños se encuentren en el área.

Para acceder al servicio local de Monogram en su área, visite monogram.com.

Para acceder al servicio de Monogram en Canadá, visite monogram.ca.

Para acceder a Piezas y Accesorios de Monogram, visite monogram.com.

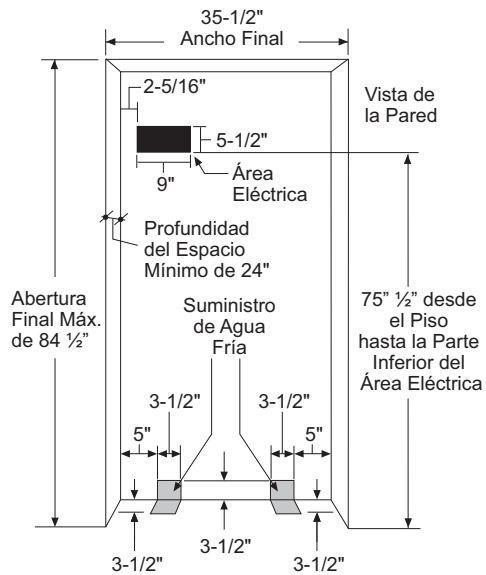
Contenidos

Seguridad	2	Instrucciones para una Instalación Nivelada	21
Instrucciones para la Instalación Estándar	4	Instrucciones para la Instalación de Acero Inoxidable	22
Guía de Planificación		Guía de Planificación	
Dimensiones y Espacios	5	Dimensiones y Espacios	23
Instrucciones Básicas de Personalización	7	Instrucciones Básicas de Personalización	25
Ubicación del Refrigerador	7	Ubicación del Refrigerador	25
Dimensiones del Panel de la Marcos de 1/4"	8	Kits de Accesorios Opcionales	25
Dimensiones del Panel Revestido de 3/4"	8	Giro de Puerta de 130°	26
Paneles Laterales	9		
Dimensiones del Panel de la Rejilla ZKBFN720NII	9	Instrucciones de Instalación	
Giro de Puerta de 130°	10	Herramientas, Hardware, Materiales	27
Instrucciones de Instalación		Conexión a Tierra de la Unidad	27
Herramientas, Hardware, Materiales	11	Paso 1. Retire el Embalaje	28
Conexión a Tierra de la Unidad	11	Paso 2. Instale el Suministro de Agua	28
Paso 1. Retire el Embalaje	12	Paso 3. Instale los Paneles Laterales	28
Paso 2. Instale el Suministro de Agua	12	Paso 4. Soporte Antivolcaduras	29
Paso 3. Instale los Paneles Laterales	13	Paso 5. Nivele la Unidad	31
Paso 4. Procedimientos Antivolcaduras	13	Paso 6. Asegure la Unidad a la Pared	32
Paso 5. Nivele la Unidad	16	Paso 7. Ajuste el Giro de Puerta	32
Paso 6. Asegure la Unidad a la Pared	16	Paso 8. Conecte el Suministro de Agua	33
Paso 7. Ajuste el Giro de Puerta	17	Paso 9. Encienda la Máquina de Hielos	33
Paso 8. Instale el Panel de la Rejilla	17	Paso 10. Instale el Zócalo	33
Paso 9. Instale los Paneles con Marcos	18		
Paso 9A. Instale los Paneles Revestidos	19		
Paso 10. Conecte el Suministro de Agua	20		
Paso 11. Encienda la Máquina de Hielos	20		
Paso 12. Instale el Zócalo	20		

Instrucciones para la Instalación Estándar

Guía de Diseño – Instalación Estándar

EL ESPACIO DE INSTALACIÓN



Ubicaciones de Agua y Electricidad

Los suministros eléctricos y de agua deberán ser ubicados como se muestra.

La Profundidad del Espacio Deberá Ser de un Mínimo de 24" (60.96 cm)

La unidad se proyectará hacia adelante, levemente más allá del gabinete adyacente, dependiendo de su instalación.

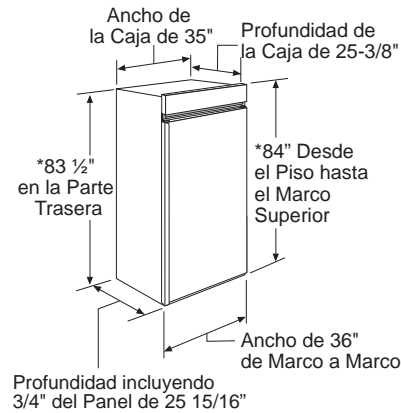
Profundidad del Espacio Debajo de un Sofito:

Cuando se instale debajo de un soffito, este último no podrá exceder la profundidad de instalación de 24" (60.96 cm) mostrada. El borde de la caja superior se superpone con la parte inferior del soffito.

Especificaciones adicionales

- Se requiere un suministro de corriente de 115 voltios, 60Hz., y 15 o 20 amperes. Se recomienda el uso de un circuito individual derivado o de un disyuntor correctamente conectados a tierra. Instale un receptáculo eléctrico de 3 patas correctamente conectado a tierra en la pared trasera. El receptáculo eléctrico deberá estar ubicado en la pared trasera como se muestra.
- El suministro de agua puede ingresar a la abertura a través del piso o la pared trasera. La tubería de agua deberá ser de cobre y tener un diámetro externo de 1/4" o ser del kit QuickConnect entre la tubería de agua fría y la ubicación de la conexión de agua, siendo lo suficientemente larga como para alcanzar el frente de la unidad. Se requiere la instalación de una válvula de cierre fácilmente accesible en la tubería de agua.

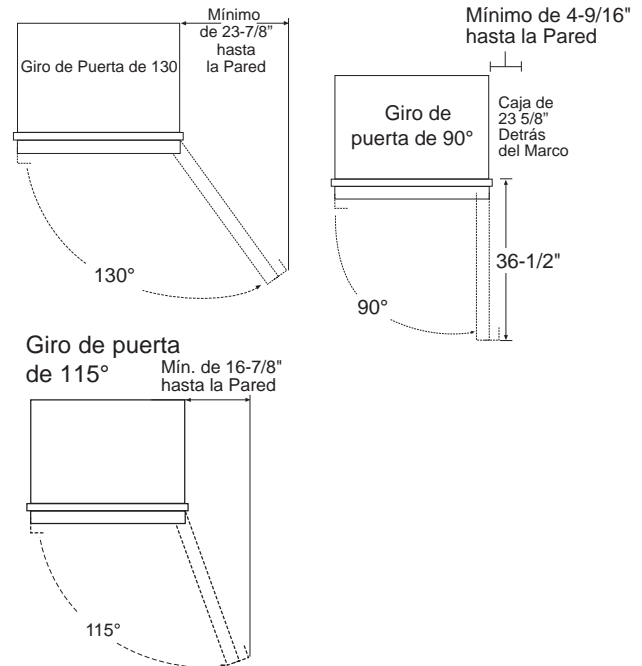
DIMENSIONES Y ESPACIOS LIBRES



*Altura del embalaje. El producto puede ser ajustado para caber en un espacio de una altura máxima de 84 1/2" (214.63 cm). Se debe observar que el borde de la caja superior es 1/2" (1.27 cm) más alta en su parte superior y se superpondrá con los gabinetes o el soffito superior. Use las patas niveladoras y las ruedas para un ajuste de altura máxima de 1" (2.54 cm).

Espacios Libres del Producto

Estas unidades están equipadas con un dispositivo de detención de la puerta de 3 posiciones. El giro de puerta de 115° original de fábrica se podrá ajustar a 90° si el espacio libre hasta los gabinetes adyacentes o paredes es restringido. Ordene la pieza de detención de la puerta WX14X99 para realizar ajustes precisos entre 90° y 130°.



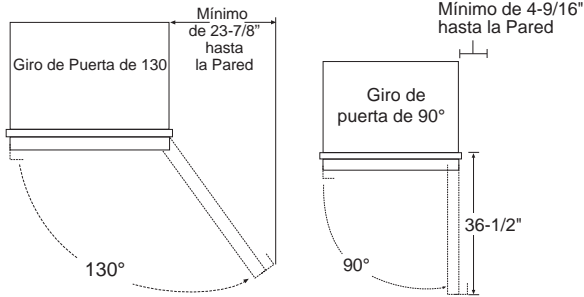
Cuente con un espacio mínimo de 23-7/8" (60.64 cm) para un giro de puerta completo de 115°. Deje 15" (38.1 cm) para el retiro de las bandejas.

Para un giro de puerta de 90°, deje un espacio libre mínimo de 4-9/16" (11.59 cm) hasta una pared. Si se usa la detención de puerta en 90°, se mantendrá el acceso a las bandejas pero su retiro estará restringido.

Consulte la ilustración en la página 10 para determinar la interacción del giro de la puerta con los gabinetes o mesadas adyacentes.

Guía de Diseño – Instalación Estándar

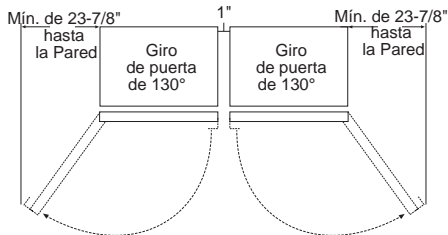
ESPACIOS NECESARIOS



Estas unidades están equipadas con un dispositivo de detención de la puerta de 3 posiciones. El giro de puerta de 115° original de fábrica se podrá ajustar a 90° o 130° si el espacio libre hasta los gabinetes adyacentes o las paredes es restringido. Ordene la pieza de detención de puerta WX14X99 para realizar ajustes precisos entre 90° y 130°

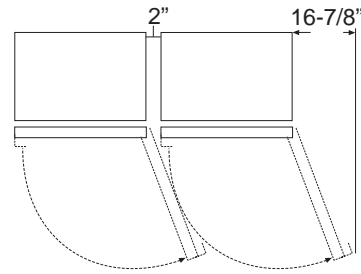
Cuando la instalación se realice en una esquina:

Cuente con un espacio mínimo de 23-7/8" (60.64 cm) para un giro de puerta completo de 130°. Deje 15" (38.1 cm) para el retiro de las bandejas. Deje un espacio mínimo de 4-9/16" (11.59 cm) cuando el giro de la puerta se ajuste para una apertura de 90°, a fin de tener acceso a las bandejas, pero que el retiro de las bandejas quede restringido.



Espacios para Múltiples Instalaciones con Puerta Única

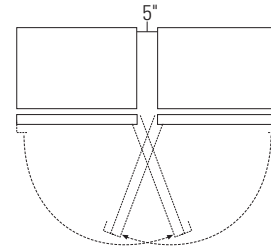
En una instalación de lado a lado de un producto con giro de puerta de izquierda a derecha, se requiere un espacio de 1" (2.54 cm) entre las unidades. Ordene un Kit Unificado ZKBSN720NSS para un aspecto integrado en los 2 modelos de acero inoxidable instalados uno al lado del otro. Ordene un Kit Unificado ZKBFN720NII para un aspecto integrado en los 2 modelos de panel a medida instalados uno al lado del otro.



Espacios para los dos productos instalados de lado a lado con el mismo giro de puerta (izquierda a derecha)

Deje un espacio mínimo de 2" (5.08 cm) entre los productos, a fin de evitar la interferencia con el giro de la puerta. Ordene la detención de puerta ajustable WX14X99 para reducir el giro de puerta de 115° configurado de fábrica. Deje un espacio mínimo de 16-7/8" (42.86 cm) hasta una pared, a fin de lograr una extensión completa del cajón y el retiro de las bandejas.

NOTA: Los Kits Unificados ZKBSN720NSS y ZKBFN720NII NO servirán para esta instalación.



Espacios para dos productos instalados de lado a lado con bisagras derechas e izquierdas juntas

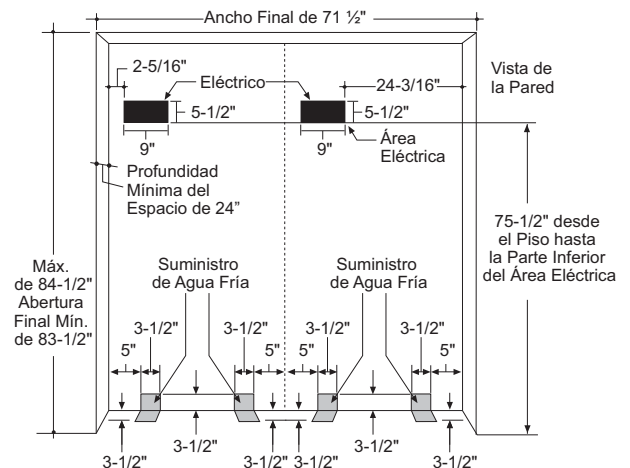
Deje un espacio mínimo de 5" (12.7 cm) entre los dos productos, a fin de evitar que una puerta golpee la otra. Use la detención de puerta ajustable WX14X99 para reducir el giro de puerta de 115° configurado de fábrica y para permitir el retiro de las bandejas.

NOTA: Los Kits Unificados ZKBSN720NSS y ZKBFN720NII NO servirán para esta instalación.

INSTALACIÓN

Kits Unificados ZKBSN720NSS y ZKBFN720NII

- Si instalará dos unidades, de lado a lado, el espacio de instalación deberá ser de 71 1/2" (181.61 cm) de ancho.
- NOTA:** Se podrá requerir un ancho adicional de la abertura cuando se usen paneles laterales. Agregue el grosor del panel lateral al espacio final para calcular el ancho de la instalación.
- El agua y las ubicaciones eléctricas para cada producto deberán ser ubicadas como se muestra.
- Se recomienda un suministro de corriente aparte de 115 voltios, 60Hz., y 15 o 20 amperes para cada producto.



Guía de Diseño – Instalación Estándar

INSTRUCCIONES BÁSICAS DE PERSONALIZACIÓN:

Paneles a Medida o Revestidos, Manijas a Medida y Kits de Accesorios

Los modelos ajustables fueron diseñados para su personalización con paneles decorativos. Se requiere una puerta a medida para la instalación en el espacio y paneles con rejilla.

KITS DE ACCESORIOS OPCIONALES

- **ZKBFN720NII:** Unification kit for an integrated appearance on 2 custom panel models installed side-by-side.
- **ZKLN:** Visor handle kit for use on custom panel models in a standard installation.

UBICACIÓN DEL REFRIGERADOR

- No instale el refrigerador en lugares donde la temperatura sea inferior a los 55°F (13°C). Éste no funcionará con la frecuencia suficiente como para mantener las temperaturas apropiadas.
- No instale el refrigerador en lugares donde la temperatura sea superior a los 100°F (37°C). Éste no funcionará correctamente.
- No instale el refrigerador en una ubicación expuesta al agua (lluvia, etc.) o en contacto directo con la luz solar.
- Instale el mismo en un piso lo suficientemente fuerte como para soportarlo completamente cargado.

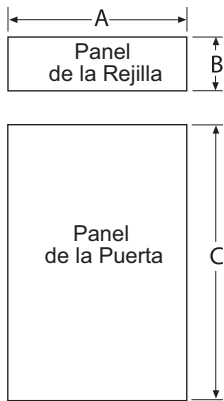
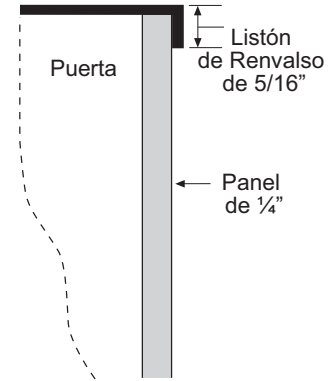
Guía de Diseño – Instalación Estándar

DIMENSIONES DEL PANEL A MEDIDA DE 1/4" (.63 cm)

Si decide instalar paneles a medida, se deberán cortar en las dimensiones que se muestran. Los paneles se deslizarán sobre el marco en la parte de la puerta y la rejilla.

Si el grosor del panel a medida es menor a 1/4" (0.63 cm) y si queda suelto en el marco de la puerta, podrá ser afirmado con una pieza de material de relleno o con cinta de gomaespuma para mejorar su posicionamiento.

NOTA IMPORTANTE: El peso máximo del panel de la puerta es de 67 libras (30 kg). El peso máximo total del panel de la rejilla ensamblado es de 11 libras (5 kg).



Dimensiones del Panel a Medida			
Panel a Medida de 1/4" (0.63 cm)	A (Ancho)	B (Altura de la Rejilla)	C (Altura de la Puerta)
	33-7/8" (86.04 cm)	8-7/8" (22.54 cm)	69-5/16" (176.05 cm)

Dimensiones del Panel Revestido			
Panel de Soporte de 1/4" (0.63 cm)	A (Ancho)	B (Altura de la Rejilla)	C (Altura de la Puerta)
	33-7/8" (86.04 cm)	8-7/8" (22.54 cm)	69-5/16" (176.05 cm)
Panel Separador de 0.10" (0.25 cm)	32-1/2" (82.55 cm)	7-5/8" (20 cm)	67-15/16" (172.56 cm)
Panel Revestido 3/4" (1.9 cm)	34-1/8" (96.67 cm)	9" (22.86 cm)	69-9/16" (176.69 cm)

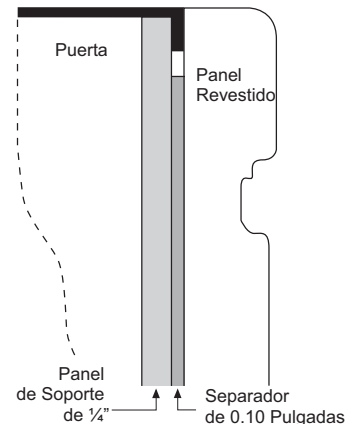
DIMENSIONES DEL PANEL REVESTIDO DE 3/4" (1.9 cm)

Para un aspecto más personalizado, los paneles revestidos podrán ser instalados en modelos recortados. El panel revestido deberá ser asegurado sobre un panel de soporte de un grosor de 1/4" (0.63 cm), que se deslice sobre el recorte. Se deberá colocar un panel separador de 0.10" (0.25 cm) entre el revestimiento y el panel de soporte.

NOTA IMPORTANTE: El peso máximo total del panel de la puerta ensamblado es de 67 libras (30.39 kg). El peso máximo total del panel de la rejilla ensamblado es de 11 libras (4.99 kg).

Ensamble los paneles con pegamento y tornillos.

- Centre el panel separador sobre el panel de soporte, de izquierda a derecha y de arriba hasta abajo. Asegure los paneles con pegamento.
- Centre el panel separador y el panel de soporte sobre el panel revestido y asegure los mismos con pegamento y tornillos. Los tornillos deberán ser encastrados en el panel de soporte.



NOTA: El ajuste de izquierda a derecha no siempre es igual al ajuste de arriba hasta abajo.

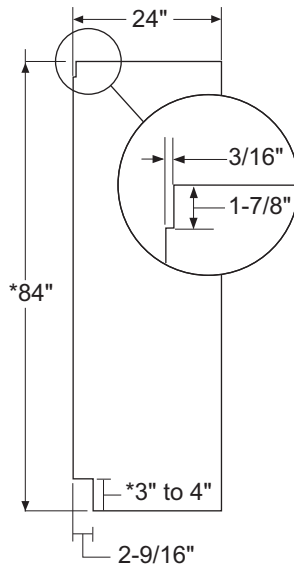
Guía de Diseño – Instalación Estándar

PANELES LATERALES

Los paneles laterales deberán ser usados siempre que los laterales de la unidad queden expuestos. Los paneles laterales de 1/4" (0.63 cm) se deslizarán en el recorte de la caja lateral. Asegure los paneles a la unidad con cinta de sujeción de velcro. Ordene los paneles laterales al fabricante de gabinetes.

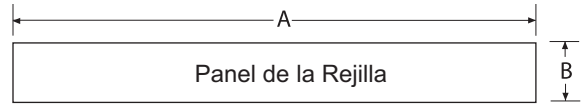
- Haga un agujero en la esquina frontal derecha como se muestra, a fin de dejar espacio para las teclas de la esquina frente al recorte lateral.

* Dependiendo de la altura de la instalación



DIMENSIONES DEL PANEL DE LA REJILLA ZKBFN720NII

El kit unificado ZKBFN720NII brinda la instalación de un panel con rejilla con marco o revestido.



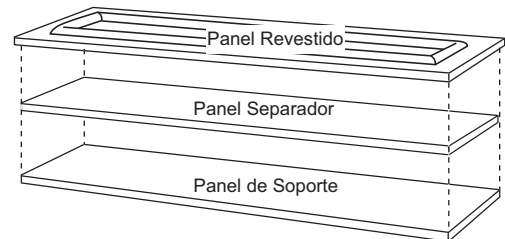
Dimensiones del Panel a Medida

Panel a Medida de 1/4" (0.63 cm)	A (Ancho)	B (Alto)
	69-7/8" (177.48 cm)	8-7/8" (22.54 cm)

Dimensiones del Panel Revestido

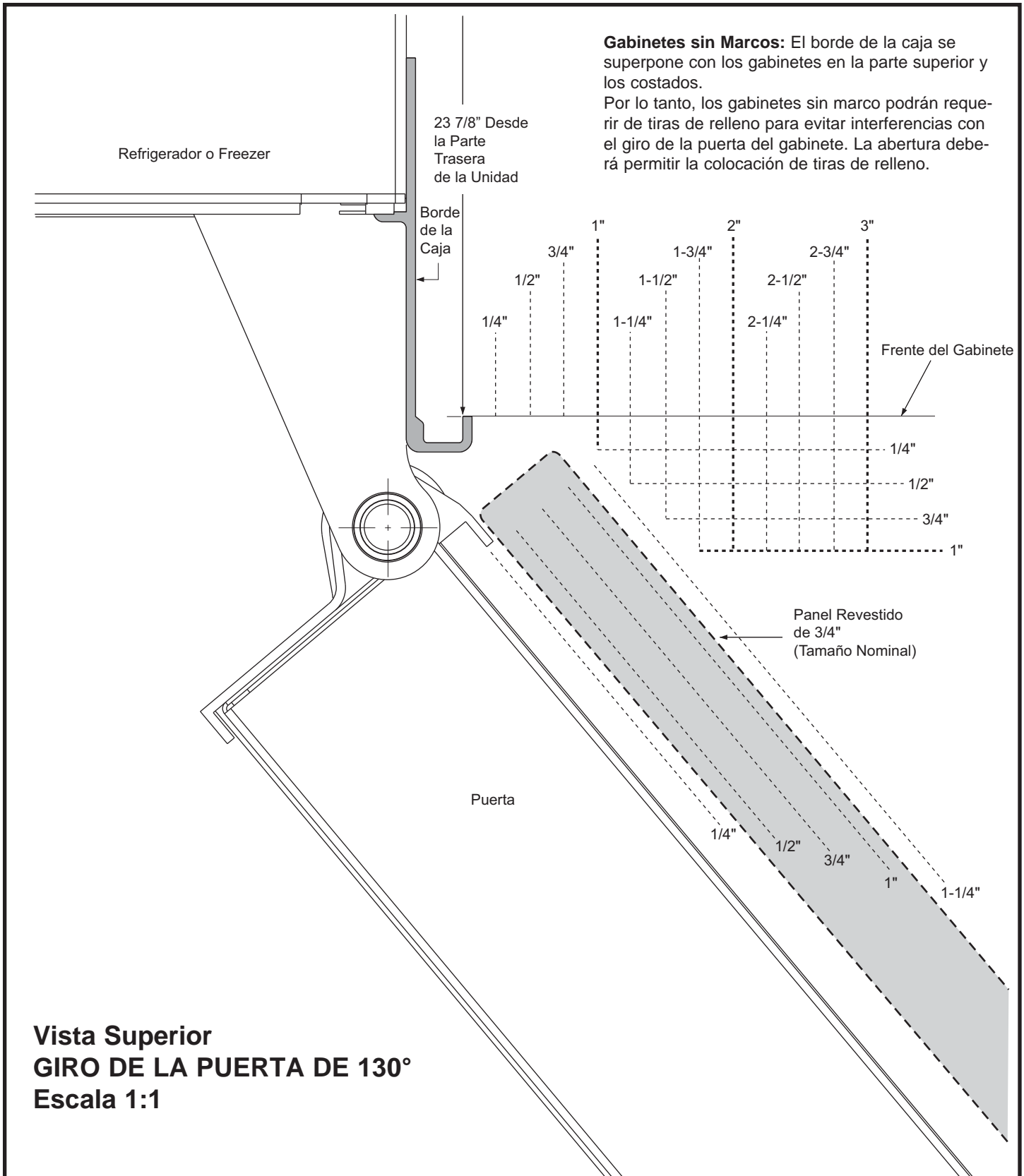
Panel de Soporte de 1/4" (0.63 cm)	A (Ancho)	B (Alto de la Rejilla)
	69-7/8" (177.48cm)	8-7/8" (22.54 cm)
Panel Separador de 0.10" (0.25 cm)	68-1/2" (97.79 cm)	7-5/8" (20 cm)
3/4" (1.9 cm) Overlay Panel	70-1/8" (178.12 cm)	9" (22.86 cm)

NOTA IMPORTANTE: El peso máximo de la rejilla unificada es de 25 libras (11.24 kg).



Ensamble los paneles revestidos del mismo modo que el panel de la puerta.

Guía de Diseño – Instalación Estándar



Instrucciones de Instalación – Instalación Estándar

HERRAMIENTAS Y MATERIALES NECESARIOS

- Tijera para hojalata para cortar las bandas
- Destornillador Phillips nº2
- Escalera de dos hojas
- Taladro y brocas de 1/2" y 3/16"
- Balde
- Llave de tubo de 1/4", 1/2", 7/16"
- Nivel
- Gafas de seguridad
- Carro manual para electrodomésticos
- Pinzas
- Cortatubos
- Detector de montantes
- Llave de boca de 7/16" y 1 1/4"
- Tubería de cobre para suministro de agua de 1/4" o kits de Tuberías para Refrigerator SmartConnect™.
- Válvula de cierre de agua (opcional pero recomendada)
- Paneles a medida para paneles de puerta y rejilla
- Tornillos para asegurar la unidad a los gabinetes
- Cintas de ajuste de velcro para paneles laterales de 1/4" (0.63 cm)

MATERIALES SUMINISTRADOS

- Tapón del bypass del filtro de agua
- Soportes antivolcaduras
- 3 tornillos tirafondos
- 2 pasadores de chaveta
- 4 arandelas
- 5 tornillos con resorte
- Zócalo

PISO

Para una instalación correcta, este producto se deberá ubicar en una superficie nivelada de material duro que posea la misma altura en el resto del piso. Esta superficie deberá ser lo suficientemente fuerte como para resistir el peso de un refrigerador o freezer totalmente cargado, o aproximadamente 1200 libras (140 kg) por unidad.

NOTA: Proteja el acabado del piso. Corte una sección amplia de la caja de cartón y coloque la misma debajo del producto sobre el cual se encuentra trabajando.

NOTA: No recomendado para la instalación en pisos alfombrados.

CONEXIÓN A TIERRA DE LA UNIDAD

⚠ ADVERTENCIA  **Riesgo de Descarga**

Eléctrica

Si no se siguen estas instrucciones, se podrá producir la muerte, incendios o descargas eléctricas.

El cable de corriente de este electrodoméstico cuenta con un enchufe de 3 cables (conexión a tierra) que se conecta a un tomacorriente de pared estándar de 3 cables (conexión a tierra) para minimizar el riesgo de posibles descargas eléctricas por parte del mismo.

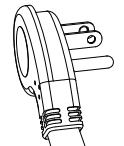
Contrate a un electricista calificado para que controle el tomacorriente y el circuito eléctrico, a fin de asegurar que el enchufe esté correctamente conectado a tierra.

En caso de contar con un tomacorriente de pared de 2 cables, es su responsabilidad y obligación reemplazarlo por un tomacorriente de pared de 3 cables correctamente conectado a tierra.

NUNCA, BAJO NINGUNA CIRCUNSTANCIA, CORTE NI ELIMINE EL TERCER CABLE (TIERRA) DEL CABLE DE CORRIENTE.

NO USE UN ENCHUFE ADAPTADOR PARA CONECTAR EL REFRIGERADOR A UN TOMACORRIENTE DE 2 PATAS.

NO USE UN PROLONGADOR CON ESTE ELECTRODOMÉSTICO.



Instrucciones de Instalación – Instalación Estándar

PASO 1 RETIRE EL EMBALAJE

⚠ ADVERTENCIA



Riesgo de Caída

El producto es mucho más pesado en su parte superior que en su parte inferior – tenga cuidado al moverlo. Al usar un carro manual, sosténgalo de costado únicamente.

- De forma cuidadosa, corte las bandas en la parte superior e inferior, y retire el cartón externo.
- Vuelva a deslizar hacia afuera los postes de las esquinas (2).
- Deslice el cartón hacia afuera de la parte superior del gabinete.

NOTA: ¡NO ES NECESARIO APOYAR EL GABINETE PARA RETIRAR EL ANTIDESLIZANTE!

NOTA: NO INTENTE HACER RODAR LA UNIDAD FUERA DEL ANTIDESLIZANTE.

- La unidad se encuentra asegurada al antideslizante por 4 cintas de amarre ranuradas. Retire los cuatro tornillos de 5/16" de los canales de la base en los amarres.
- Retire el zócalo y el soporte de pared. Deje los mismos a un costado para la instalación final.
- Levante la unidad fuera del antideslizante con un carro para electrodomésticos. Sostenga el electrodoméstico de los costados.
- Retire los cuatro tornillos de 7/16" que aseguran los soportes del amarre al antideslizante.



PASO 2 INSTALE EL SUMINISTRO DE AGUA

⚠ ADVERTENCIA

Realice la conexión a un suministro de agua potable únicamente. Se requiere un suministro de agua fría para el funcionamiento de la máquina de hielos automática y de la jarra de llenado automático. La presión del agua deberá estar entre 40 y 120 p.s.i. (275 – 827 kPa).

⚠ ADVERTENCIA



PELIGRO DE DESCARGA ELÉCTRICA

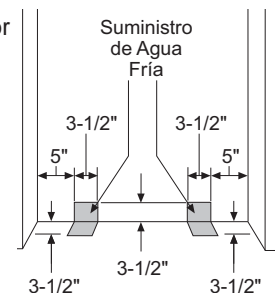
Adhiera la abrazadera de la tubería usando el agujero existente únicamente. NO perforo el refrigerador.

- Haga circular una tubería de cobre con un diámetro externo de 1/4" o una tubería de plástico SmartConnect™ entre el suministro de agua fría del hogar y la ubicación de la conexión de agua.
- La tubería deberá poseer una extensión suficiente como para llegar hasta el frente de la unidad. Deje una cantidad de tubería suficiente como para hacer una inclinación que llegue hasta la conexión de la tubería de agua.

NOTA: La única tubería de plástico aprobada por Monogram es suministrada en los Kits de Tuberías para Refrigerador de SmartConnect™. No use ningún otro suministro de agua plástico, ya que el suministro se encuentra bajo presión en todo momento. Otros tipos de plásticos podrán sufrir fisuras o roturas con el paso del tiempo y ocasionar problemas con el agua en su hogar.

Los Kits de Tuberías para Refrigerador de SmartConnect™ están disponibles en las siguientes longitudes:

- 2' (.6 m) WX08X10002
- 8' (2.4 m) WX08X10006
- 15' (4.6 m) WX08X10015
- 25' (7.6 m) WX08X10025



Cierre el suministro principal de agua.

Abra el grifo más cercano durante el tiempo suficiente como para despejar la tubería de agua.

- Instale una válvula de cierre entre la válvula de agua de la máquina de hielos y la tubería de agua fría en un sótano o gabinete. La válvula de cierre deberá estar ubicada donde sea fácilmente accesible.
- Abra el suministro de agua principal y deje correr la suciedad. Deje correr aproximadamente un cuarto de galón de agua a través de la tubería a un balde. Cierre el suministro de agua desde la válvula de cierre.

NOTA: Las válvulas de cierre tipo montura están incluidas en muchos kits de suministro de agua. Antes de su adquisición, asegúrese de que la válvula tipo montura cumpla con los códigos de plomería locales.

NOTA: Se deberá cumplir con los Códigos de Plomería del Commonwealth de Massachusetts 248CMR. Las válvulas tipo montura son ilegales y su uso está prohibido en Massachusetts. Consulte a un plomero matriculado.

Instrucciones de Instalación – Instalación Estándar

PASO 3 INSTALE LOS PANELES LATERALES

Saltee este paso cuando no use los paneles laterales.

Si usará paneles laterales de 1/4", deberán ser insertados en el borde de la caja.

Ajuste los paneles a la unidad con cintas de sujeción de velcro, antes de establecer la unidad en su posición.

PASO 4 INSTALACIÓN DEL SOPORTE ANTIVOLCADURAS

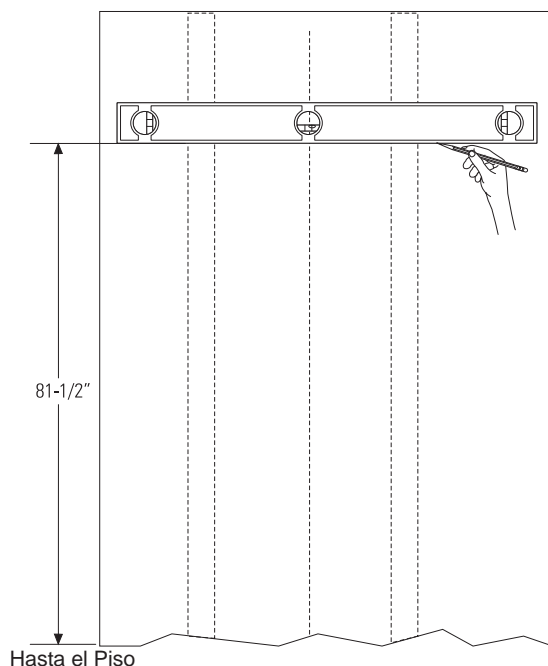
⚠ ADVERTENCIA



Riesgo de Caídas

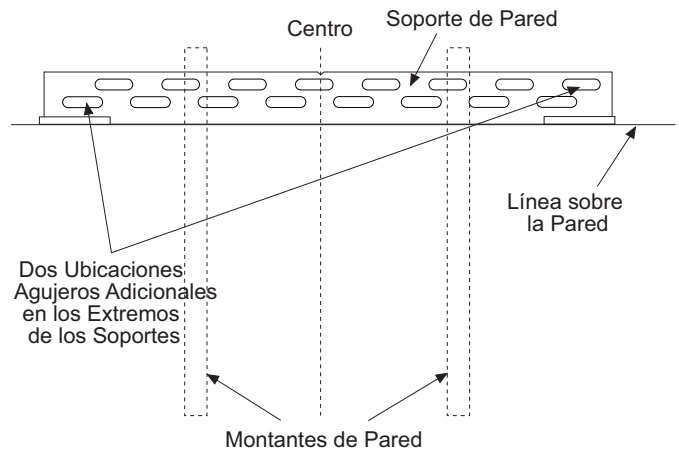
La unidad es pesada en su parte superior y se deberá asegurar a fin de evitar posibles caídas hacia adelante.

- El kit suministrado con la unidad cuenta con 2 tornillos tirafondos y tornillos con resortes. El soporte de pared será adherido a la pared en 4 posiciones.
- Mida la apertura donde la unidad será instalada. Marque el centro con una línea vertical.
- Mida 81 1/2" (207.01 cm) desde el piso. Marque este punto sobre la pared.
- Con un nivel, dibuje una línea horizontal sobre la pared a esta altura.

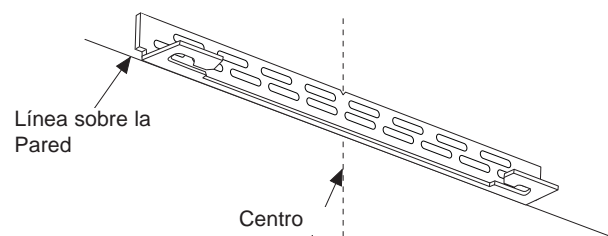


- Ubique por lo menos 2 montantes en la pared trasera. Marque estos puntos sobre la línea horizontal.

- Coloque la parte inferior del soporte de pared con las lengüetas en la línea horizontal. Alinee la abertura central sobre el soporte con la línea central sobre la pared.



- El soporte de pared antivolcaduras cuenta con una serie de agujeros. Seleccione 2 agujeros que coincidan con los montantes ubicados. Asegúrese de que los agujeros seleccionados se encuentren en el centro de los montantes. Marque la pared en estos puntos.



- Marque un agujero adicional en cada extremo del soporte. Si uno de los montantes se encuentra más cerca del extremo del soporte, marque un agujero adicional hacia el centro del soporte.
- Realice agujeros de 1/2" (1.27 cm) en el tablero de pared, en las ubicaciones marcadas para el montante de los resortes (no las marcas de los montantes).
- Realice agujeros de 3/16" (0.47 cm) en los montantes de madera donde se realizaron las marcas. Si se trata de una construcción de montantes de acero, realice agujeros de 1/2" (1.27 cm) en los montantes donde se realizaron las marcas. Usted usará 2 resortes con los montantes metálicos.

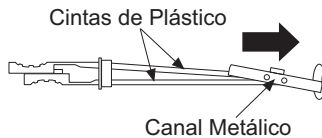
Instrucciones de Instalación – Instalación Estándar

PASO 4 INSTALE EL SOPORTE ANTIVOLCADURAS (cont.)

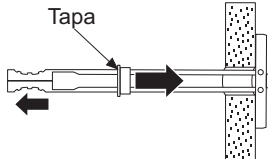
Instale los Tornillos con Resortes de Pared:

Los tornillos con resortes de pared y los tornillos pueden ser ordenados como el Kit de Servicio n° WR49X10193. Los tornillos con resortes de pared se instalan sobre el panel de yeso y los montantes metálicos para lograr estabilidad. Instale los tornillos con resortes de pared del siguiente modo:

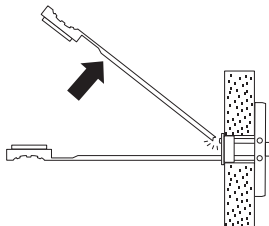
- Realice agujeros de 1/2" (1.27 cm) sobre las marcas de la pared realizadas en los agujeros sobre los extremos del soporte de pared.
- Sostenga el canal metálico de forma plana contra las cintas de plástico y deslice el canal a través del agujero.



- De forma suave, empuje hacia atrás sobre los extremos de las cintas de plástico para hacer que el canal descansa de forma nivelada detrás de la pared.
- Sostenga los extremos de las tiras con una mano y deslice la tapa de plástico a lo largo de las cintas, hasta que el reborde de la tapa quede nivelado con la pared.

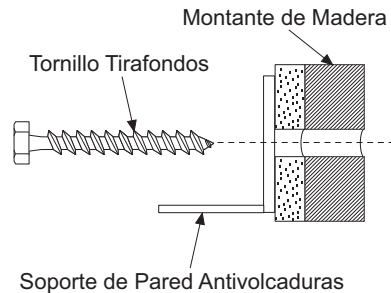


- Coloque el pulgar entre las cintas de plástico e incline las mismas hacia arriba y abajo para desenganchar las mismas de la pared.

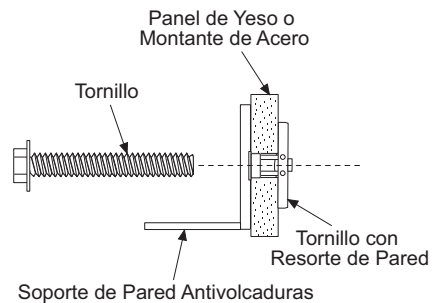


Instale los Tornillos y Pernos:

- Solicite a alguien que sostenga el soporte de pared centrado en su posición con cada uno de los agujeros alineados con la abertura correcta en el soporte y realice la nivelación con la línea horizontal.
- Inserte los tornillos tirafondos a través del soporte y en el montante. Ajuste con una llave.



- Inserte los tornillos en el tornillo con resorte de forma manual hasta que quede ajustado. Ajuste con una llave.



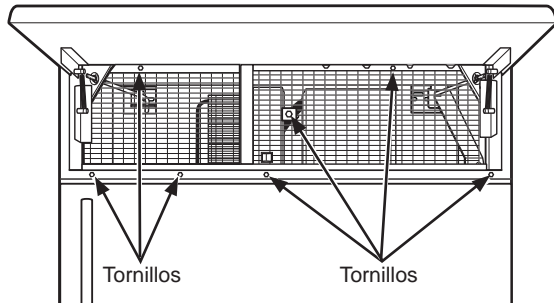
Instrucciones de Instalación – Instalación Estándar

PASO 4 INSTALE EL SOPORTE ANTIVOLCADURAS (cont.)

Retire las Rejillas para Acceder a los Ganchos de Bloqueo Antivolcaduras

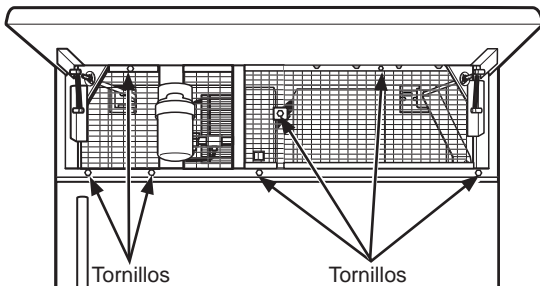
Unidad de Comida Fresca

- Abra la puerta de acceso.
- Retire los 4 tornillos de la rejilla de la derecha y los 3 tornillos de la rejilla de la izquierda.
- Empuje la parte inferior de las rejillas hacia adelante, abajo y afuera para retirar las mismas.



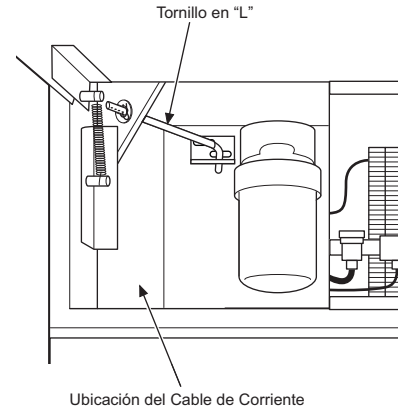
Unidad del Freezer

- Abra la puerta de acceso.
- Retire los 4 tornillos de la rejilla de la derecha y los 3 tornillos de la rejilla de la izquierda.
- Empuje la parte inferior de la rejilla hacia adelante, abajo y afuera para retirar la misma.



Cable de Corriente

Ubique el cable de corriente dentro de la cavidad izquierda. Si no fue ajustado de modo que se pueda acceder al enchufe de forma fácil, hágalo ahora.



Mueva la Unidad Hasta la Posición Final

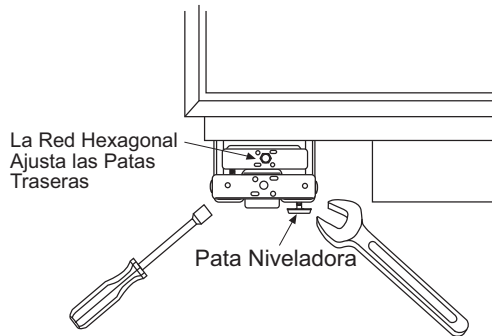
- Mueva el electrodoméstico hasta su posición de instalación final. Alinee las lengüetas sobre el soporte de pared con las aberturas en la parte trasera de la unidad.
- La unidad posee tornillos en "L" en las esquinas superior izquierda y derecha del compartimiento de acceso. Estos tornillos se entrelazarán con el soporte de pared y asegurarán la unidad usando las arandelas y los pasadores de chaveta del kit de materiales, una vez que la unidad haya sido nivelada y se encuentre en su posición final.

Instrucciones de Instalación – Instalación Estándar

PASO 5 NIVELE LA UNIDAD

Todos los modelos cuentan con 4 puntos de nivelación. La parte frontal está apoyada sobre patas niveladoras; la parte trasera está apoyada sobre ruedas ajustables. Es posible acceder a ambas desde la parte frontal de la unidad.

- A fin de nivelar la parte trasera de la unidad, gire la tuerca hexagonal de 7/16" que se encuentra ubicada sobre las ruedas frontales. Gire en dirección horaria para subir la unidad, y en dirección antihoraria para bajar la misma.
- Para nivelar la parte frontal, use una llave de boca de 1-1/4".

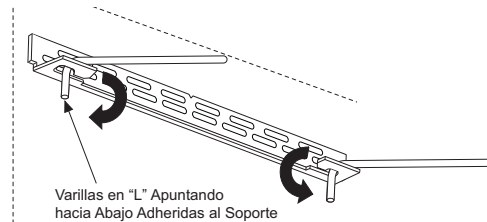


- Ajuste la altura de la unidad para que coincida con la abertura del recorte de la instalación de 84 1/2" (214.63 cm). La unidad deberá estar nivelada de forma vertical entre los muebles de cocina.

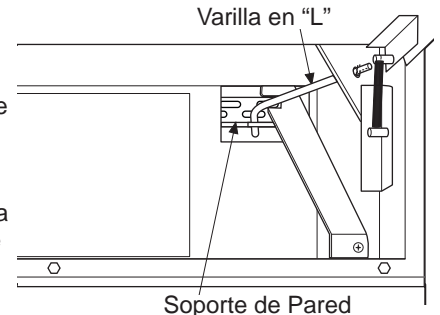
Las ruedas niveladoras traseras y las patas niveladoras frontales cuentan con un límite de ajuste de altura máxima de 1" (2.54 cm). Si en la instalación se requiere una altura superior a 84 1/2" (214.63 cm), el instalador deberá elevar la unidad sobre una lámina de contrachapado o correderas. También se podrá agregar un ajuste a los gabinetes sobre la parte superior de la abertura, a fin de acortar esta última. Si intenta elevar la unidad más de 1" (2.54 cm), dañará las patas niveladoras frontales y las ruedas niveladoras traseras.

PASO 6 ASEGURE LA UNIDAD A LA PARED

- Las varillas en "L" se podrán encontrar en las esquinas superior izquierda y derecha de la unidad, en el compartimiento de acceso. Observe el compartimiento de acceso para asegurarse de que las varillas estén alineadas con el soporte antivolcaduras.



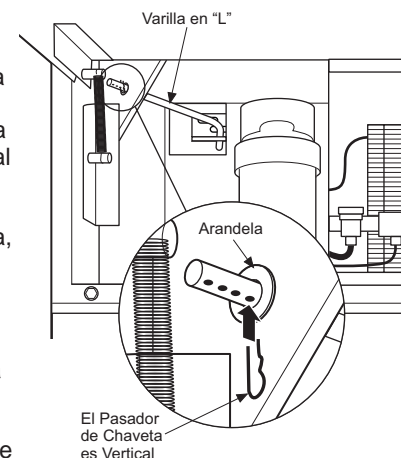
- Hay 2 arandelas y un pasador de chaveta por varilla. Retire las arandelas y el pasador de chaveta del extremo de la varilla.
- Gire y mueva la varilla en "L" en la ranura de la lengüeta del soporte antivolcaduras. Una vez que se encuentre en la ranura, gire la varilla en "L" de modo que la parte del gancho apunte hacia abajo.



- Los agujeros del extremo frontal de la varilla se deberán encontrar en una posición vertical. Haga esto en ambos lados.
- Empuje hacia afuera el extremo de la varilla para constatar que esté bien asegurada al soporte.
- Ubique el agujero sobre la varilla que se encuentre más cerca de la unidad. Se deberá colocar un pasador de chaveta a través de este agujero para asegurar la varilla. Si este agujero parece estar demasiado alejado para un ajuste perfecto contra la unidad, agregue las arandelas una por vez hasta que el perno calce de forma ajustada en el agujero.

- Alinee la sección recta del perno con el agujero del lado inferior de la varilla. Empuje el perno hacia arriba hasta que calce en su posición. Se podrán usar pinzas. **NOTA:** El pasador de chaveta deberá estar en posición vertical cuando este paso sea completado, a fin de asegurar que la varilla en "L" esté adherida al soporte.

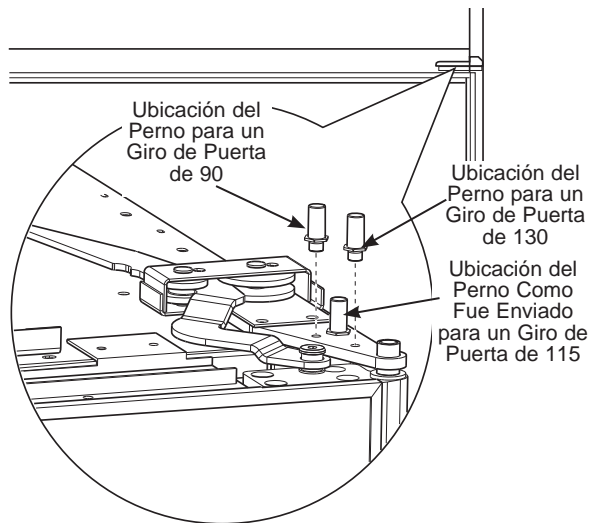
- Controle que la varilla se encuentre ajustada, empujando hacia adelante. Si la varilla se mueve, retire el pasador de chaveta y coloque otra arandela en la varilla. Vuelva a insertar el perno.
- Reemplace el panel de la rejilla.



Instrucciones de Instalación – Instalación Estándar

PASO 7 AJUSTE EL GIRO DE LA PUERTA

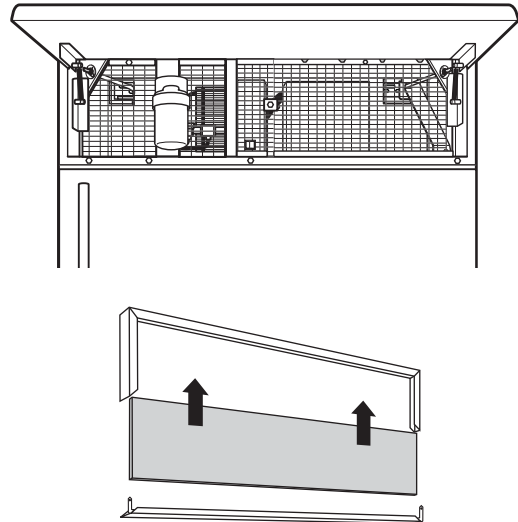
NOTA: Este electrodoméstico cuenta con una detención de la puerta de 3 posiciones. Cuando el espacio no permita que la puerta gire completamente hasta los 115°, podrá cambiar el giro de la puerta a una apertura de 90°. Un giro de puerta de 130° está disponible para la instalación estándar únicamente. Si la apertura de la puerta es satisfactoria para su situación durante la instalación, saltee este paso.



- Abra la capucha de la bisagra para ver la bisagra superior. Observe las ubicaciones de los pernos de detención de la puerta. El perno fue instalado de fábrica en la posición de 115°.
- Cierre la puerta. Use las pinzas para desenroscar la detención de la puerta y vuelva a realizar la instalación en la posición de 90 grados o de 130 grados.

PASO 8 INSTALE EL PANEL DE LA REJILLA

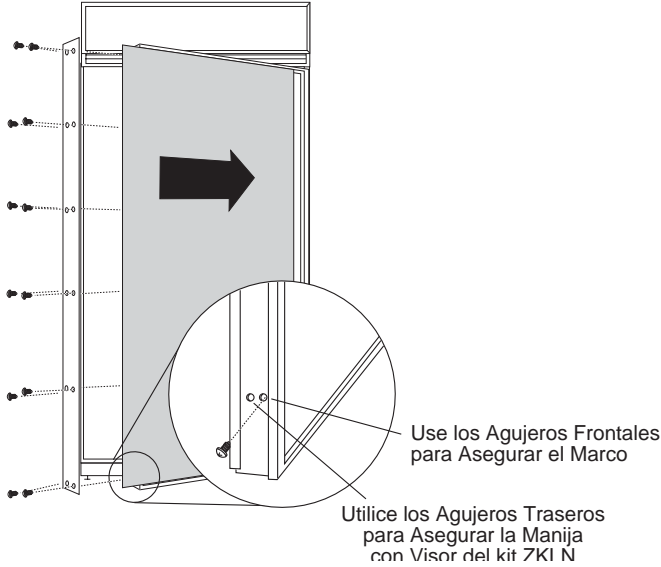
- Eleve el panel de acceso hasta la posición de detención.



- Afloje los tornillos sobre el borde lateral detrás del marco. Retire el borde inferior.
- Deslice el panel sobre el panel de soporte metálico y sobre el borde.
- De ser necesario, golpee con un bloque de madera hasta que el panel se deslice por debajo de la pieza del borde superior.
- Vuelva a ensamblar el borde inferior. Ajuste los tornillos.
- Ajuste el resorte de la bisagra para acomodar el peso del panel, de ser necesario.

Instrucciones de Instalación – Instalación Estándar

PASO 9 INSTALE LOS PANELES A MEDIDA



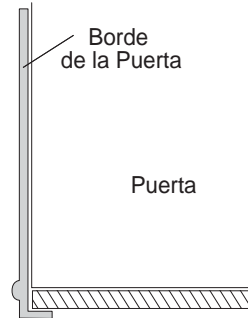
Instale el Panel de la Puerta:

- Abra la Puerta a 90°.
- Quite los 12 tornillos que sostienen el marco, y retire el marco. Conserve los tornillos.
- Deslice el panel a medida dentro del marco de la puerta.

Se muestran los modelos del lado derecho. Siga las mismas instrucciones para los modelos del lado izquierdo.

SI INSTALARÁ PANELES REVESTIDOS, VAYA AL PASO 9A.

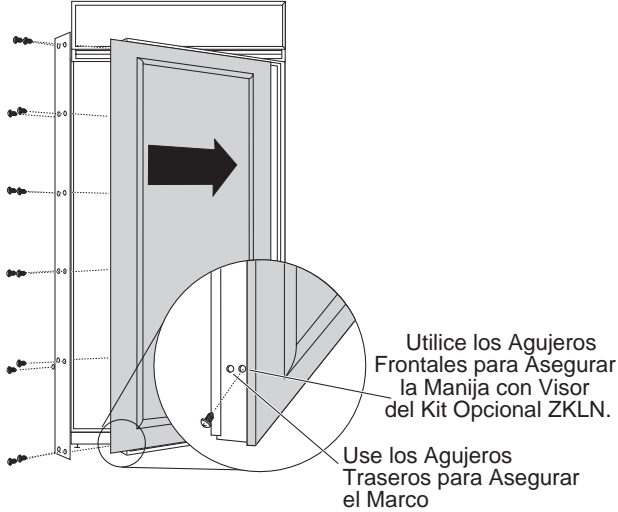
- Hay dos conjuntos de agujeros en el borde lateral de la manija. Reemplace el marco lateral de la manija colocando los tornillos originales en TODOS los agujeros de los tornillos.



Instrucciones de Instalación – Instalación Estándar

PASO 9A INSTALE LOS PANELES REVESTIDOS

Instale el Panel de la Puerta:



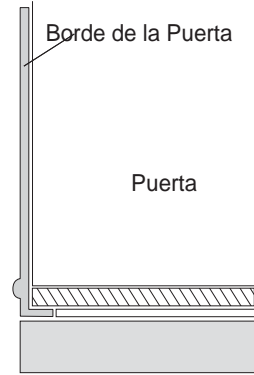
- Abra la Puerta a 90°.
- Quite los 12 tornillos que sostienen el marco, y retire el marco. Conserve los tornillos.
- Deslice el panel revestido dentro del marco de la puerta.

Manijas a Medida

Si usará manijas a medida, la manija deberá estar correctamente asegurada al panel antes de deslizar el mismo sobre el borde.

- Hay dos conjuntos de agujeros en el borde lateral de la manija. Reemplace el marco lateral de la manija colocando los tornillos originales en TODOS los agujeros de los tornillos.

Se muestran los modelos del lado derecho. Siga las mismas instrucciones para los modelos del lado izquierdo.



- El fabricante del gabinete suministrará la manija a medida y los materiales.

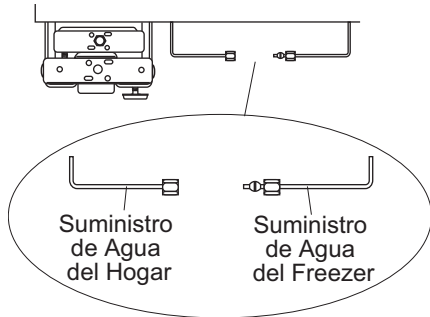
Instrucciones de Instalación – Instalación Estándar

PASO 10 CONECTE EL SUMINISTRO DE AGUA (MODELOS CON FREEZER ÚNICAMENTE)

⚠ ADVERTENCIA Realice la conexión a un suministro de agua potable únicamente. Se requiere un suministro de agua fría para el funcionamiento de la máquina de hielos automática y de la jarra de llenado automático. La presión del agua deberá estar entre 40 y 120 p.s.i. (275 – 827 kPa).

⚠ ADVERTENCIA  PELIGRO DE DESCARGA ELÉCTRICA

Adhiera la abrazadera de la tubería usando el agujero existente únicamente. NO perforo el refrigerador.



- Encuentre y traiga la tubería al frente del gabinete.
- Abra y deje correr el agua a fin de eliminar desechos del suministro. Deje correr alrededor de un cuarto de galón de agua por la tubería a un balde, y luego cierre el suministro de agua.

Tubería de Cobre:

- Coloque una tuerca de 1/4" y una abrazadera de refuerzo (provista) sobre ambos extremos de la tubería de cobre. Inserte la tubería en el accesorio de unión con la unidad y ajuste la tuerca a la unión.
- Abra el suministro de agua para controlar que no haya pérdidas.

Tubería SmartConnect™:

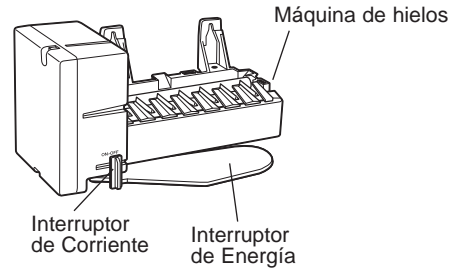
NOTA: La única tubería de plástico aprobada por Monogram es suministrada en los Kits de Tuberías para Refrigerador de SmartConnect™. No use ningún otro suministro de agua plástico, ya que el suministro se encuentra bajo presión en todo momento. Otros tipos de plásticos podrán sufrir fisuras o roturas con el paso del tiempo y ocasionar problemas con el agua en su hogar.

- Inserte el extremo moldeado de la tubería en la conexión del refrigerador o del freezer. Ajuste la tuerca de compresión hasta que quede fijada sólo con la presión manual.
- Realice un ajuste adicional con un giro de llave. ¡Un ajuste excesivo podrá ocasionar pérdidas!
- Abra el suministro de agua para controlar que no haya pérdidas.

NOTA: Asegúrese de que un exceso de la longitud de la tubería no interfiera con la instalación del zócalo.

PASO 11 INICIE LA MÁQUINA DE HIELOS (MODELOS CON FREEZER ÚNICAMENTE)

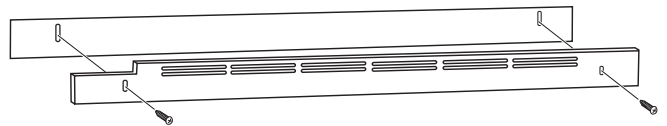
⚠ PRECAUCIÓN Para minimizar el riesgo de lesiones personales, evite el contacto con las partes móviles del mecanismo eyector o con el elemento de calefacción que libera los cubos. No coloque los dedos ni las manos en el mecanismo de la máquina de hielo automática mientras el electrodoméstico se encuentre enchufado.



- La máquina de hielos comenzará a funcionar automáticamente.
- Asegúrese de que nada interfiera con la extensión del interruptor de energía.
- Descarte el primer balde lleno de cubos de hielo.
- Para apagar la máquina de hielos, deslice el interruptor a OFF (Apagado).

PASO 12 INSTALE EL ZÓCALO

- Ubique el zócalo suministrado (embalados sobre el costado del electrodoméstico). Instale el ensamble del zócalo con los 2 tornillos provistos, ajuste hasta la altura deseada y ajuste los tornillos.



IMPORTANTE: Se podrá instalar un zócalo a medida que coincida con o complemente los gabinetes circundantes, pero NO podrá cubrir las ranuras de ventilación horizontales del zócalo de fábrica.

Instrucciones para una Instalación Nivelada

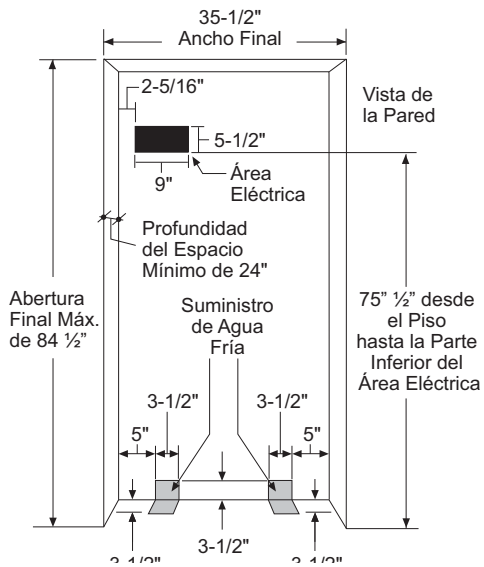
NIVELE EL KIT INTEGRADO ZKFN REQUERIDO

El kit integrado nivelado incluye instrucciones de instalación, zócalos modificados, ensamble de la carcasa y otros componentes requeridos.

Instrucciones para la Instalación de Acero Inoxidable

Guía de Diseño - Instalación de Acero Inoxidable

EL ESPACIO DE INSTALACIÓN



Ubicaciones de Agua y Electricidad

Los suministros eléctricos y de agua deberán ser ubicados como se muestra.

La Profundidad del Espacio Deberá Ser de un Mínimo de 24" (60.96 cm)

La unidad se proyectará hacia adelante, levemente más allá del gabinete adyacente, dependiendo de su instalación.

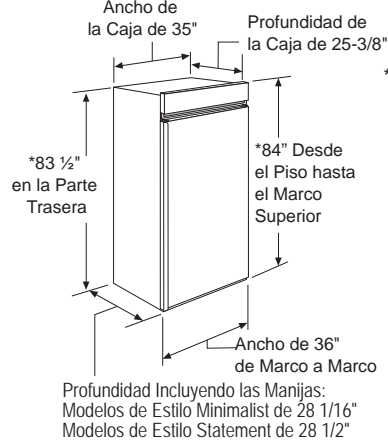
Profundidad del Espacio Debajo de un Sofito:

Cuando se instale debajo de un sofito, este último no podrá exceder la profundidad de instalación de 24" (60.96 cm) mostrada. El borde de la caja superior se superpone con la parte inferior del sofito.

Especificaciones adicionales

- Se requiere un suministro de corriente de 115 voltios, 60Hz., y 15 o 20 amperes. Se recomienda el uso de un circuito individual derivado o de un disyuntor correctamente conectados a tierra. Instale un receptáculo eléctrico de 3 patas correctamente conectado a tierra en la pared trasera. El receptáculo eléctrico deberá estar ubicado en la pared trasera como se muestra.
- El suministro de agua puede ingresar a la abertura a través del piso o la pared trasera. La tubería de agua deberá ser de cobre y tener un diámetro externo de 1/4" o ser del kit QuickConnect entre la tubería de agua fría y la ubicación de la conexión de agua, siendo lo suficientemente larga como para alcanzar el frente de la unidad. Se requiere la instalación de una válvula de cierre fácilmente accesible en la tubería de agua.

DIMENSIONES Y ESPACIOS LIBRES

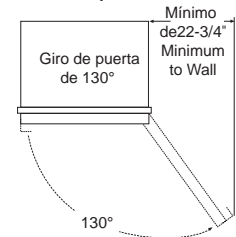


*Altura del embalaje. El producto puede ser ajustado para caber en un espacio de una altura máxima de 84 1/2" (214.63 cm). Se debe observar que el borde de la caja superior es 1/2" (1.27 cm) más alta en su parte superior y se superpondrá con los gabinetes o el soffito superior. Use las patas niveladoras y las ruedas para un ajuste de altura máxima de 1" (2.54 cm).

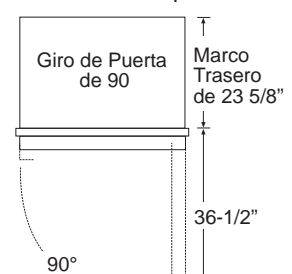
Espacios Libres del Producto

Estas unidades están equipadas con un dispositivo de detención de la puerta de 3 posiciones. El giro de puerta de 115° original de fábrica se podrá ajustar a 90° si el espacio libre hasta los gabinetes adyacentes o paredes es restringido. Ordene la pieza de detención de la puerta WX14X99 para realizar ajustes precisos entre 90° y 130°.

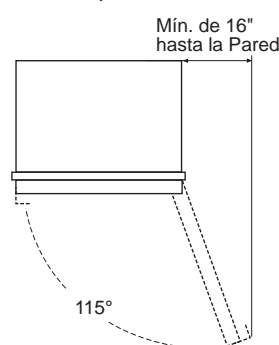
Giro de puerta de 130°



Giro de puerta de 90°



Giro de puerta de 115°



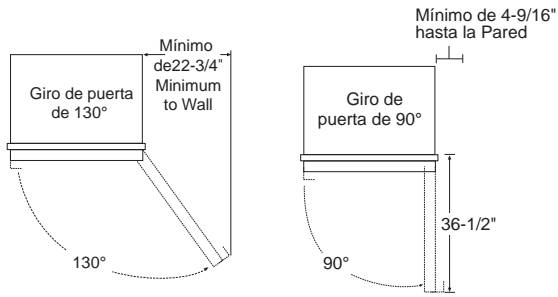
Cuente con un espacio mínimo de 22-3/4" (57.8 cm) para un giro de puerta completo de 130°. Deje 15" (38.1 cm) para el retiro de las bandejas.

Para un giro de puerta de 90°, deje un espacio libre mínimo de 4-9/16" (11.81 cm) hasta una pared. Si se usa la detención de puerta en 90°, se mantendrá el acceso a las bandejas pero su retiro estará restringido.

Consulte la ilustración en la página 26 para determinar la interacción del giro de la puerta con los gabinetes o mesas adyacentes.

Guía de Diseño - Instalación de Acero Inoxidable

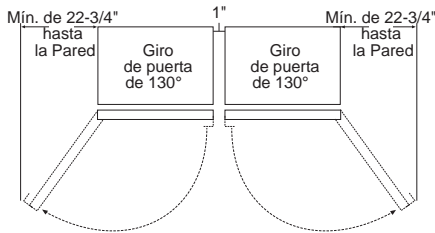
ESPACIOS NECESARIOS



Estas unidades están equipadas con un dispositivo de detención de la puerta de 3 posiciones. El giro de puerta de 115° original de fábrica se podrá ajustar a 90° o 130° si el espacio libre hasta los gabinetes adyacentes o las paredes es restringido. Ordene la pieza de detención de puerta WX14X99 para realizar ajustes precisos entre 90° y 130°

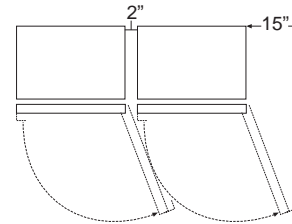
Cuando la instalación se realice en una esquina:

Cuente con un espacio mínimo de 25" (63.5 cm) para un giro de puerta completo de 130°. Deje 15" (38.1 cm) para el retiro de las bandejas. Deje un espacio mínimo de 4" (10.16 cm) cuando el giro de la puerta se ajuste para una apertura de 90°, a fin de tener acceso a las bandejas, pero que el retiro de las bandejas quede restringido.



Espacios para Múltiples Instalaciones con Puerta Única

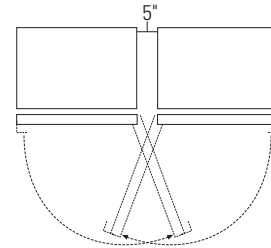
En una instalación de lado a lado de un producto con giro de puerta de izquierda a derecha, se requiere un espacio de 1" (2.54 cm) entre las unidades. Ordene el Kit unificado ZKBSN720NSS para un aspecto integrado en los 2 modelos de acero inoxidable instalados uno al lado del otro. Ordene un Kit Unificado ZKBFN720NII para un aspecto integrado en los 2 modelos de panel a medida instalados uno al lado del otro.



Espacios para los dos productos instalados de lado a lado con el mismo giro de puerta (izquierda a derecha)

Deje un espacio mínimo de 2" (5.08 cm) entre los productos, a fin de evitar la interferencia con el giro de la puerta. Ordene la detención de puerta ajustable WX14X99 para reducir el giro de puerta de 115° configurado de fábrica. Deje un espacio mínimo de 15" (38.1 cm) hasta una pared, a fin de lograr una extensión completa del cajón y el retiro de las bandejas.

NOTA: Los Kits Unificados ZKBSN720NSS y ZKBFN720NII NO servirán para esta instalación.



Espacios para dos productos instalados de lado a lado con bisagras derechas e izquierdas juntas

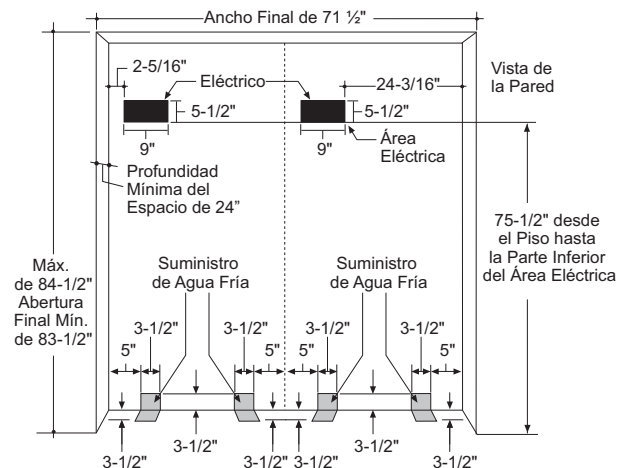
Deje un espacio mínimo de 5" (12.7 cm) entre los dos productos, a fin de evitar que una puerta golpee la otra. Use la detención de puerta ajustable WX14X99 para reducir el giro de puerta de 115° configurado de fábrica y para permitir el retiro de las bandejas.

NOTA: Los Kits Unificados ZKBSN720NSS y ZKBFN720NII NO servirán para esta instalación.

INSTALACIÓN

Kits Unificados ZKBSN720NSS y ZKBFN720NII

- Si instalará dos unidades, de lado a lado, el espacio de instalación deberá ser de 71 1/2" (181.61 cm) de ancho.
- NOTA:** Se podrá requerir un ancho adicional de la abertura cuando se usen paneles laterales. Agregue el grosor del panel lateral al espacio final para calcular el ancho de la instalación.
- El agua y las ubicaciones eléctricas para cada producto deberán ser ubicadas como se muestra.
- Se recomienda un suministro de corriente aparte de 115 voltios, 60Hz., y 15 o 20 amperes para cada producto.



Guía de Diseño - Instalación de Acero Inoxidable

INSTRUCCIONES BÁSICAS DE PERSONALIZACIÓN:

Refrigeradores recubiertos de Acero Inoxidable

Los refrigeradores recubiertos de acero inoxidable cuentan con puertas recubiertas y un panel con rejilla, extremos biselados, y manijas tubulares de acero inoxidable que se coordinan con otros electrodomésticos de Monogram. Estos modelos son enviados ya listos para su instalación. Estos modelos no incluyen manijas.



Statement Handles
ZKSP1H1PNBSS



Minimalist Handles
ZKSP1H1CNBSS

*Manijas Opcionales – Al ordenar este producto, asegúrese de usar el número de modelo asociado con la manija elegida.

UBICACIÓN DEL REFRIGERADOR

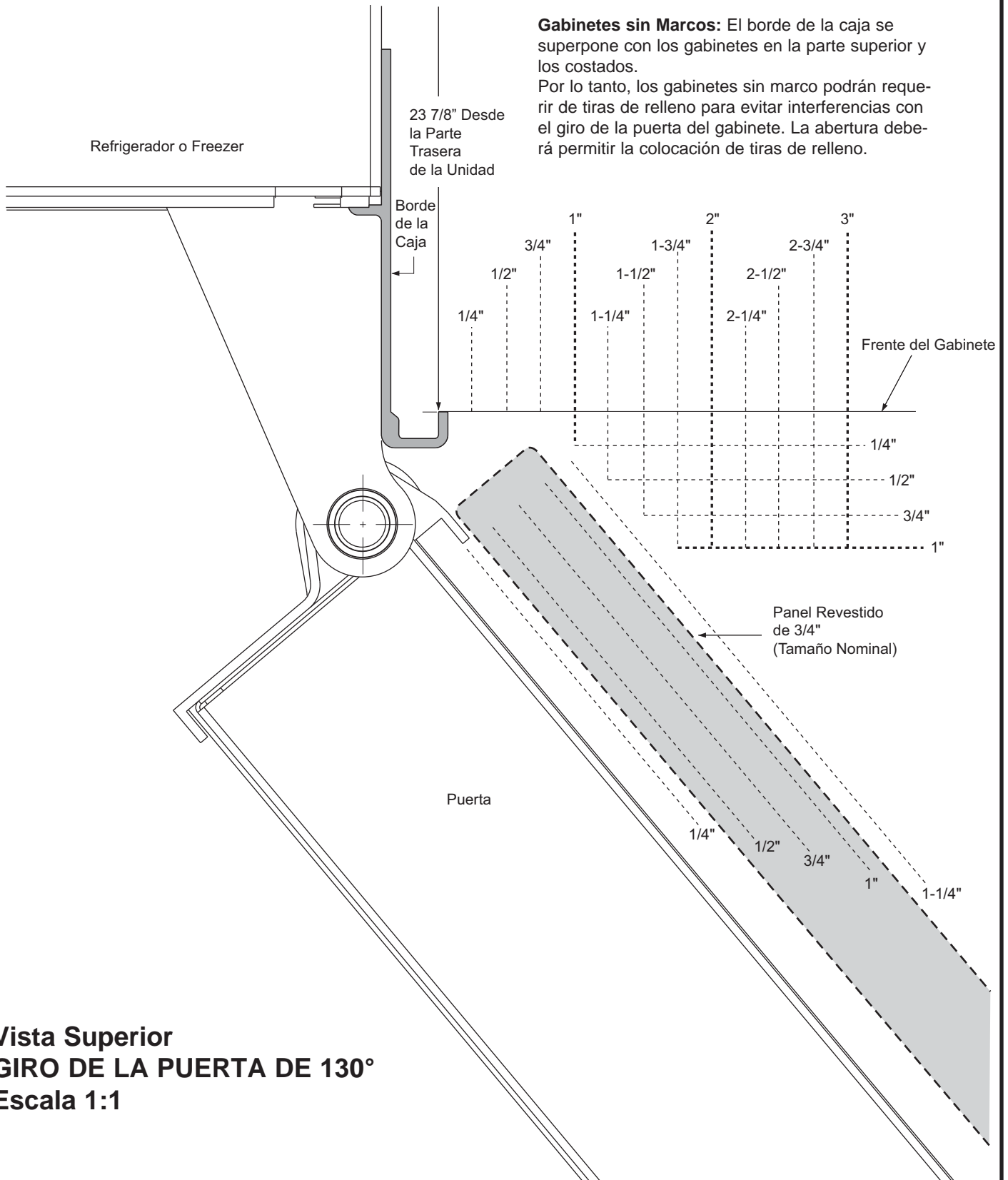
- No instale el refrigerador en lugares donde la temperatura sea inferior a los 55°F (13°C). Éste no funcionará con la frecuencia suficiente como para mantener las temperaturas apropiadas.
- No instale el refrigerador en lugares donde la temperatura sea superior a los 100°F (37°C). Éste no funcionará correctamente.
- No instale el refrigerador en una ubicación expuesta al agua (lluvia, etc.) o en contacto directo con la luz solar.
- Instale el mismo en un piso lo suficientemente fuerte como para soportarlo completamente cargado.

KITS DE ACCESORIOS OPCIONALES

- **ZKBSN720NSS:** Unification kit for an integrated appearance on 2 stainless steel models installed side-by-side.

Guía de Diseño - Instalación de Acero Inoxidable

Gabinets sin Marcos: El borde de la caja se superpone con los gabinetes en la parte superior y los costados.
 Por lo tanto, los gabinetes sin marco podrán requerir de tiras de relleno para evitar interferencias con el giro de la puerta del gabinete. La abertura deberá permitir la colocación de tiras de relleno.



Vista Superior
GIRO DE LA PUERTA DE 130°
Escala 1:1

Instrucciones de Instalación - Instalación de Acero Inoxidable

HERRAMIENTAS Y MATERIALES NECESARIOS

- Tijera para hojalata para cortar las bandas
- Destornillador Phillips nº2
- Escalera de dos hojas
- Taladro y brocas de 1/2" y 3/16"
- Balde
- Llave de tubo de 1/4", 1/2", 5/16", 7/16"
- Nivel
- Gafas de seguridad
- Carro manual para electrodomésticos
- Pinzas
- Cortatubos
- Detector de montantes
- Llave de boca de 7/16" y 1 1/4"
- Tubería de cobre para suministro de agua de 1/4" o kits de Tuberías para Refrigerator SmartConnect™.
- Válvula de cierre de agua (opcional pero recomendada)
- Tornillos para asegurar la unidad a los gabinetes
- Cintas de ajuste de velcro para paneles laterales de 1/4" (0.63 cm)

MATERIALES SUMINISTRADOS

- Tapón del bypass del filtro de agua
- Soportes antivibraciones
- 3 tornillos tirafondos
- 2 pasadores de chaveta
- 4 arandelas
- 5 tornillos con resorte
- Zócalo

PISO

Para una instalación correcta, este producto se deberá ubicar en una superficie nivelada de material duro que posea la misma altura en el resto del piso. Esta superficie deberá ser lo suficientemente fuerte como para resistir el peso de un refrigerador o freezer totalmente cargado, o aproximadamente 1200 libras (140 kg) por unidad.

NOTA: Proteja el acabado del piso. Corte una sección amplia de la caja de cartón y coloque la misma debajo del producto sobre el cual se encuentra trabajando.

NOTA: No recomendado para la instalación en pisos alfombrados.

CONEXIÓN A TIERRA DE LA UNIDAD

⚠ ADVERTENCIA  **Riesgo de Descarga**

Eléctrica

Si no se siguen estas instrucciones, se podrá producir la muerte, incendios o descargas eléctricas.

El cable de corriente de este electrodoméstico cuenta con un enchufe de 3 cables (conexión a tierra) que se conecta a un tomacorriente de pared estándar de 3 cables (conexión a tierra) para minimizar el riesgo de posibles descargas eléctricas por parte del mismo.

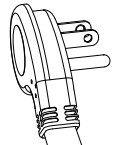
Contrate a un electricista calificado para que controle el tomacorriente y el circuito eléctrico, a fin de asegurar que el enchufe esté correctamente conectado a tierra.

En caso de contar con un tomacorriente de pared de 2 cables, es su responsabilidad y obligación reemplazarlo por un tomacorriente de pared de 3 cables correctamente conectado a tierra.

NUNCA, BAJO NINGUNA CIRCUNSTANCIA, CORTE NI ELIMINE EL TERCER CABLE (TIERRA) DEL CABLE DE CORRIENTE.

NO USE UN ENCHUFE ADAPTADOR PARA CONECTAR EL REFRIGERADOR A UN TOMACORRIENTE DE 2 PATAS.

NO USE UN PROLONGADOR CON ESTE ELECTRODOMÉSTICO.



Instrucciones de Instalación - Instalación de Acero Inoxidable

PASO 1 RETIRE EL EMBALAJE

⚠ ADVERTENCIA



Riesgo de Caída El

producto es mucho más pesado en su parte superior que en su parte inferior – tenga cuidado al moverlo. Al usar un carro manual, sosténgalo de costado únicamente.

- De forma cuidadosa, corte las bandas en la parte superior e inferior, y retire el cartón externo.
- Vuelva a deslizar hacia afuera los postes de las esquinas (2).
- Deslice el cartón hacia afuera de la parte superior del gabinete.

NOTA: ¡NO ES NECESARIO APOYAR EL GABINETE PARA RETIRAR EL ANTIDESLIZANTE!

NOTA: NO INTENTE HACER RODAR LA UNIDAD FUERA DEL ANTIDESLIZANTE.

- La unidad se encuentra asegurada al antideslizante por 4 cintas de amarre ranuradas. Retire los cuatro tornillos de 5/16" de los canales de la base en los amarres.
- Retire el zócalo el soporte de pared. Deje los mismos a un costado para la instalación final.
- Levante la unidad fuera del antideslizante con un carro para electrodomésticos. Sostenga el electrodoméstico de los costados.
- Retire los cuatro tornillos de 7/16" que aseguran los soportes del amarre al antideslizante.



PASO 2 INSTALE EL SUMINISTRO DE AGUA

⚠ ADVERTENCIA

Realice la conexión a un suministro de agua potable únicamente. Se requiere un suministro de agua fría para el funcionamiento de la máquina de hielos automática y de la jarra de llenado automático. La presión del agua deberá estar entre 40 y 120 p.s.i. (275 – 827 kPa).

⚠ ADVERTENCIA



PELIGRO DE DESCARGA ELÉCTRICA

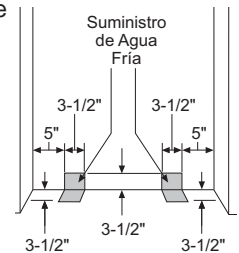
Adhiera la abrazadera de la tubería usando el agujero existente únicamente. NO perforo el refrigerador.

- Haga circular una tubería de cobre con un diámetro externo de 1/4" o una tubería de plástico SmartConnect™ entre el suministro de agua fría del hogar y la ubicación de la conexión de agua.
- La tubería deberá poseer una extensión suficiente como para llegar hasta el frente de la unidad. Deje una cantidad de tubería suficiente como para hacer una inclinación que llegue hasta la conexión de la tubería de agua.

NOTA: La única tubería de plástico aprobada por Monogram es suministrada en los Kits de Tuberías para Refrigerador de SmartConnect™. No use ningún otro suministro de agua plástico, ya que el suministro se encuentra bajo presión en todo momento. Otros tipos de plásticos podrán sufrir fisuras o roturas con el paso del tiempo y ocasionar problemas con el agua en su hogar.

Los Kits de Tuberías para Refrigerador de SmartConnect™ están disponibles en las siguientes longitudes:

- 2' (.6 m) WX08X10002
- 8' (2.4 m) WX08X10006
- 15' (4.6 m) WX08X10015
- 25' (7.6 m) WX08X10025



Cierre el suministro principal de agua.

Abra el grifo más cercano durante el tiempo suficiente como para despejar la tubería de agua.

- Instale una válvula de cierre entre la válvula de agua de la máquina de hielos y la tubería de agua fría en un sótano o gabinete. **La válvula de cierre deberá ser ubicada donde estará fácilmente accesible.**
- Abra el suministro de agua principal y deje correr la suciedad. Deje correr aproximadamente un cuarto de galón de agua a través de la tubería a un balde. Cierre el suministro de agua desde la válvula de cierre.

NOTA: Las válvulas de cierre tipo montura están incluidas en muchos kits de suministro de agua. Antes de su adquisición, asegúrese de que la válvula tipo montura cumpla con los códigos de plomería locales.

NOTA: Se deberá cumplir con los Códigos de Plomería del Commonwealth de Massachusetts 248CMR. Las válvulas tipo montura son ilegales y su uso está prohibido en Massachusetts. Consulte a un plomero matriculado.

PASO 3 INSTALE LOS PANELES LATERALES

Saltee este paso cuando no use los paneles laterales. Si usará paneles laterales de 1/4", deberán ser insertados en el borde de la caja.

Ajuste los paneles a la unidad con cintas de sujeción de velcro, antes de establecer la unidad en su posición.

Instrucciones de Instalación - Instalación de Acero Inoxidable

PASO 5 INSTALACIÓN DEL SOPORTE ANTIVOLCADURAS (Cont.)

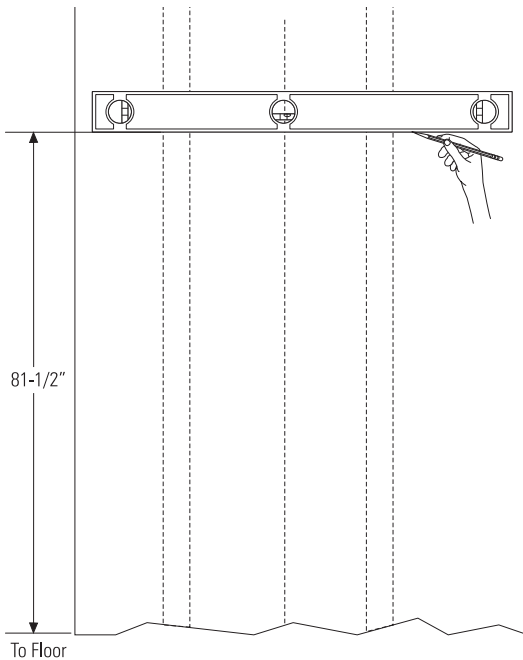
⚠ ADVERTENCIA



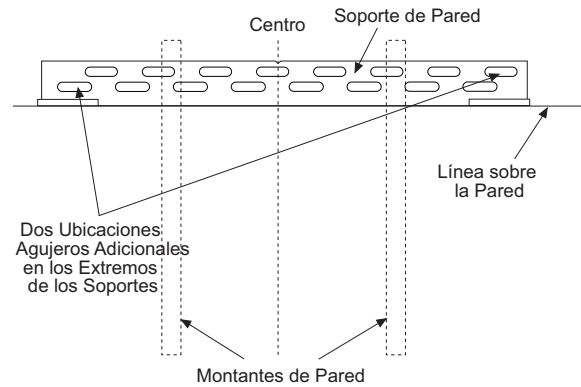
Riesgo de Caídas

La unidad es pesada en su parte superior y se deberá asegurar a fin de evitar posibles caídas hacia adelante.

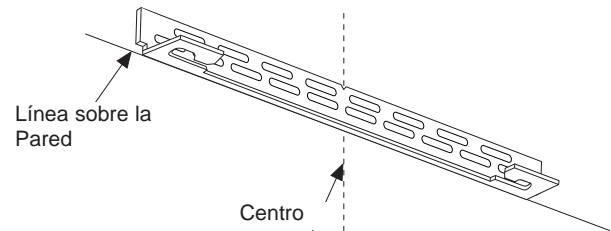
- El kit suministrado con la unidad cuenta con 2 tornillos tirafondos y tornillos con resortes. El soporte de pared será adherido a la pared en 4 posiciones.
- Mida la apertura donde la unidad será instalada. Marque el centro con una línea vertical.
- Mida 81-1/2" (207.01 cm) desde el piso. Marque este punto sobre la pared.
- Con un nivel, dibuje una línea horizontal sobre la pared a esta altura.
- Ubique por lo menos 2 montantes en la pared trasera. Marque estos puntos sobre la línea horizontal.
- Coloque la parte inferior del soporte de pared con las lengüetas en la línea horizontal. Alinee la abertura central sobre el soporte con la línea central sobre la pared.



- El soporte de pared antivolcaduras cuenta con una serie de agujeros. Seleccione 2 agujeros que coincidan con los montantes ubicados. Asegúrese de que los agujeros seleccionados se encuentren en el centro de los montantes. Marque la pared en estos puntos.



- Marque un agujero adicional en cada extremo del soporte. Si uno de los montantes se encuentra más cerca del extremo del soporte, marque un agujero adicional hacia el centro del soporte.

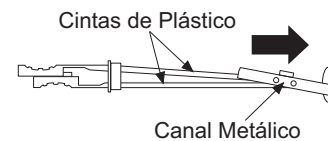


- Realice agujeros de 1/2" (1.27 cm) en el tablero de pared, en las ubicaciones marcadas para el montante de los resortes (no las marcas de los montantes).
- Realice agujeros de 3/16" (0.47 cm) en los montantes de madera donde se realizaron las marcas. Si se trata de una construcción de montantes de acero, realice agujeros de 1/2" (1.27 cm) en los montantes donde se realizaron las marcas. Usted usará 2 resortes con los montantes metálicos.

Instale los Tornillos con Resortes de Pared:

Los tornillos con resortes de pared y los tornillos pueden ser ordenados como el Kit de Servicio nº WR49X10193. Los tornillos con resortes de pared se instalan sobre el panel de yeso y los montantes metálicos para lograr estabilidad. Instale los tornillos con resortes de pared del siguiente modo:

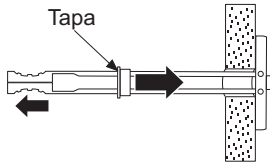
- Realice agujeros de 1/2" (1.27 cm) sobre las marcas de la pared realizadas en los agujeros sobre los extremos del soporte de pared.
- Sostenga el canal metálico de forma plana contra las cintas de plástico y deslice el canal a través del agujero.



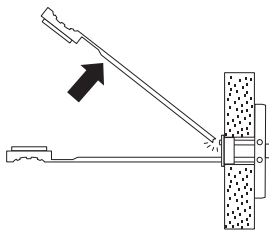
Instrucciones de Instalación - Instalación de Acero Inoxidable

PASO 4 INSTALE EL SOPORTE ANTIVOLCADURAS (cont.)

- De forma suave, empuje hacia atrás sobre los extremos de las cintas de plástico para hacer que el canal descansa de forma nivelada detrás de la pared.
- Sostenga los extremos de las tiras con una mano y deslice la tapa de plástico a lo largo de las cintas, hasta que el reborde de la tapa quede nivelado con la pared.

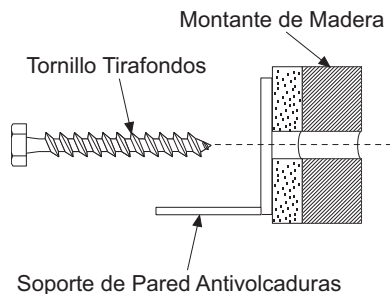


- Coloque el pulgar entre las cintas de plástico e incline las mismas hacia arriba y abajo para desenganchar las mismas de la pared.

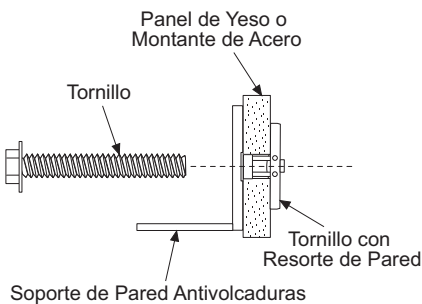


Instale los Tornillos y Pernos:

- Solicite a alguien que sostenga el soporte de pared centrado en su posición con cada uno de los agujeros alineados con la abertura correcta en el soporte y realice la nivelación con la línea horizontal.
- Inserte los tornillos tirafondos a través del soporte y en el montante. Ajuste con una llave.



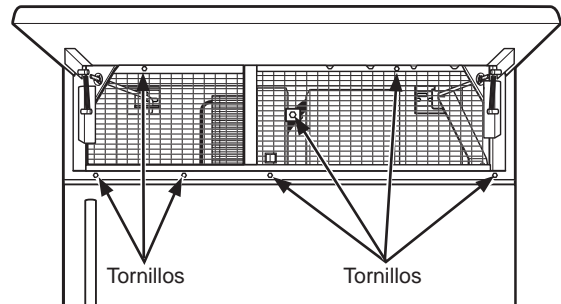
- Inserte los tornillos en el tornillo con resorte de forma manual hasta que quede ajustado. Ajuste con una llave.



Retire las Rejillas para Acceder a los Ganchos de Bloqueo Antivoladuras

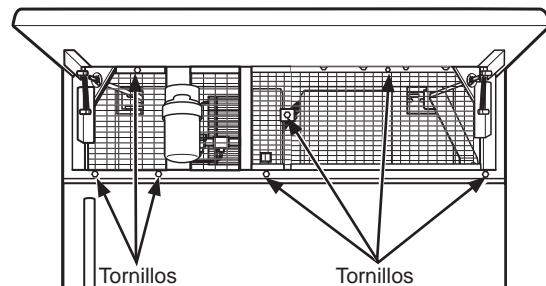
Unidad de Comida Fresca

- Abra la puerta de acceso.
- Retire los 4 tornillos de la rejilla de la derecha y los 3 tornillos de la rejilla de la izquierda.
- Empuje la parte inferior de las rejillas hacia adelante, abajo y afuera para retirar las mismas.



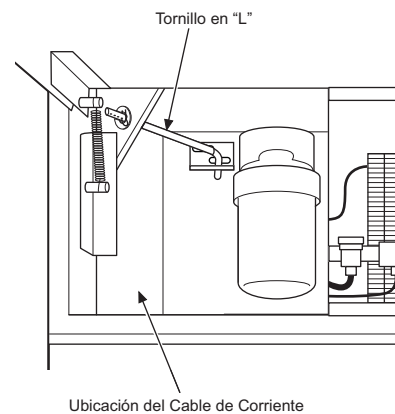
Unidad del Freezer

- Abra la puerta de acceso.
- Retire los 4 tornillos de la rejilla de la derecha y los 3 tornillos de la rejilla de la izquierda.
- Empuje la parte inferior de la rejilla hacia adelante, abajo y afuera para retirar la misma.



Cable de Corriente

Ubique el cable de corriente dentro de la cavidad izquierda. Si no fue ajustado de modo que se pueda acceder al enchufe de forma fácil, hágalo ahora.



Instrucciones de Instalación - Instalación de Acero Inoxidable

PASO 4 INSTALE EL SOPORTE ANTIVOLCADURAS (cont.)

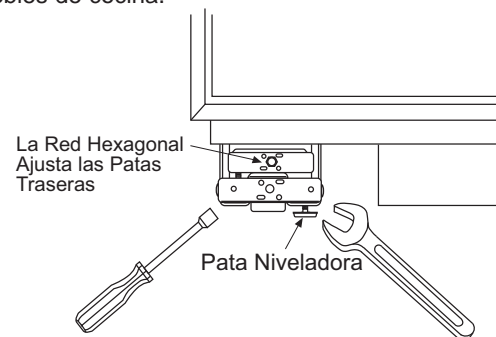
Mueva la Unidad Hasta la Posición Final

- Mueva el electrodoméstico hasta su posición de instalación final. Alinee las lengüetas sobre el soporte de pared con las aberturas en la parte trasera de la unidad.
- La unidad posee tornillos en "L" en las esquinas superior izquierda y derecha del compartimiento de acceso. Estos tornillos se entrelazaran con el soporte de pared y asegurarán la unidad usando las arandelas y los pasadores de chaveta del kit de materiales, una vez que la unidad haya sido nivelada y se encuentre en su posición final.

PASO 5 NIVELE LA UNIDAD

Todos los modelos cuentan con 4 puntos de nivelación. La parte frontal está apoyada sobre patas niveladoras; la parte trasera está apoyada sobre ruedas ajustables. Es posible acceder a ambas desde la parte frontal de la unidad.

- A fin de nivelar la parte trasera de la unidad, gire la tuerca hexagonal de 7/16" que se encuentra ubicada sobre las ruedas frontales. Gire en dirección horaria para subir la unidad, y en dirección antihoraria para bajar la misma.
- Para nivelar la parte frontal, use una llave de boca de 1-1/4".
- Ajuste la altura de la unidad para que coincida con la abertura del recorte de la instalación de 84 1/2" (214.63 cm). La unidad deberá estar nivelada de forma vertical entre los muebles de cocina.

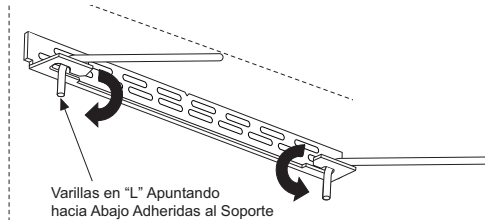


Las ruedas niveladoras traseras y las patas niveladoras frontales cuentan con un límite de ajuste de altura máxima de 1" (2.54 cm). Si en la instalación se requiere una altura superior a 84 1/2" (214.63 cm), el instalador deberá elevar la unidad sobre una lámina de contrachapado o correderas. También se podrá agregar un ajuste a los gabinetes sobre la parte superior de la abertura, a fin de acortar esta última. Si intenta elevar la unidad más de 1" (2.54 cm), dañará las patas niveladoras frontales y las ruedas niveladoras traseras.

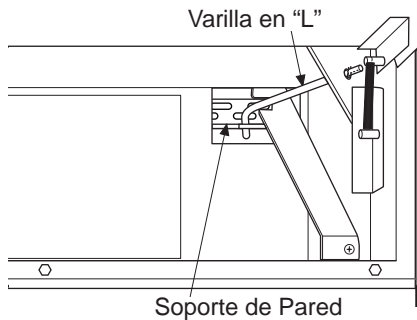
Instrucciones de Instalación - Instalación de Acero Inoxidable

PASO 6 ASEGURE LA UNIDAD A LA PARED

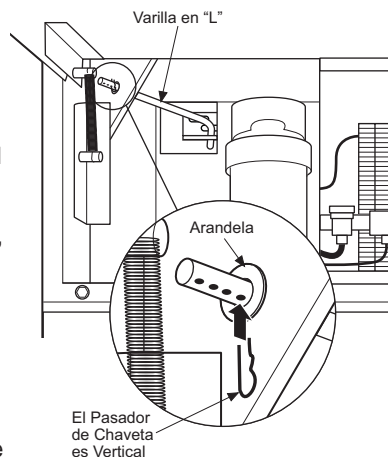
- Las varillas en "L" se podrán encontrar en las esquinas superior izquierda y derecha de la unidad, en el compartimiento de acceso. Observe el compartimiento de acceso para asegurarse de que las varillas estén alineadas con el soporte antivolcaduras.



- Hay 2 arandelas y un pasador de chaveta por varilla. Retire las arandelas y el pasador de chaveta del extremo de la varilla.
- Gire y mueva la varilla en "L" en la ranura de la lengüeta del soporte antivolcaduras. Una vez que se encuentre en la ranura, gire la varilla en "L" de modo que la parte del gancho apunte hacia abajo. Los agujeros del extremo frontal de la varilla se deberán encontrar en una posición vertical. Haga esto en ambos lados.
- Empuje hacia afuera el extremo de la varilla para constatar que esté bien asegurada al soporte.
- Ubique el agujero sobre la varilla que se encuentre más cerca de la unidad. Se deberá colocar un pasador de chaveta a través de este agujero para asegurar la varilla. Si este agujero parece estar demasiado alejado para un ajuste perfecto contra la unidad, agregue las arandelas una por vez hasta que el perno calce de forma ajustada en el agujero.
- Alinee la sección recta del perno con el agujero del lado inferior de la varilla. Empuje el perno hacia arriba hasta que calce en su posición. Se podrán usar pinzas.

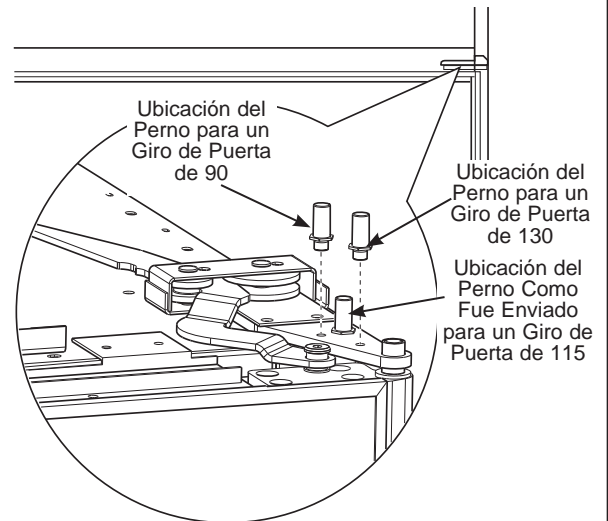


- NOTA:** El pasador de chaveta deberá estar en posición vertical cuando este paso sea completado, a fin de asegurar que la varilla en "L" esté adherida al soporte.
- Controle que la varilla se encuentre ajustada, empujando hacia adelante. Si la varilla se mueve, retire el pasador de chaveta y coloque otra arandela en la varilla. Vuelva a insertar el perno.
- Reemplace el panel de la rejilla.



PASO 7 AJUSTE EL GIRO DE LA PUERTA

NOTA: Este electrodoméstico cuenta con una detención de la puerta de 3 posiciones. Cuando el espacio no permita que la puerta gire completamente hasta los 115°, podrá cambiar el giro de la puerta a una apertura de 90°. Un giro de puerta de 130° está disponible para la instalación estándar únicamente. Si la apertura de la puerta es satisfactoria para su situación durante la instalación, saltee este paso.



- Abra la capucha de la bisagra para ver la bisagra superior. Observe las ubicaciones de los pernos de detención de la puerta. El perno fue instalado de fábrica en la posición de 115°.
- Cierre la puerta. Use las pinzas para desenroscar la detención de la puerta y vuelva a realizar la instalación en la posición de 90 grados o de 130 grados.

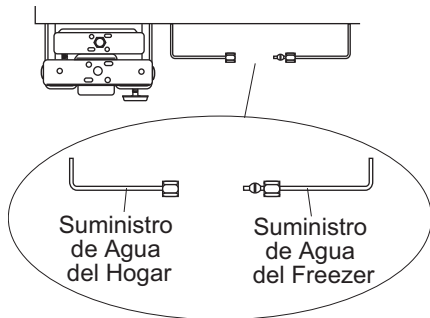
Instrucciones de Instalación - Instalación de Acero Inoxidable

PASO 8 CONECTE EL SUMINISTRO DE AGUA (MODELOS CON FREEZER ÚNICAMENTE)

⚠ ADVERTENCIA Realice la conexión a un suministro de agua potable únicamente. Se requiere un suministro de agua fría para el funcionamiento de la máquina de helos automática y de la jarra de llenado automático. La presión del agua deberá estar entre 40 y 120 p.s.i. (275 – 827 kPa).

⚠ ADVERTENCIA PELIGRO DE DESCARGA ELÉCTRICA

Adhiera la abrazadera de la tubería usando el agujero existente únicamente. NO perforo el refrigerador.



- Encuentre y traiga la tubería al frente del gabinete.
- Abra y deje correr el agua a fin de eliminar desechos del suministro. Deje correr alrededor de un cuarto de galón de agua por la tubería a un balde, y luego cierre el suministro de agua.

Tubería de Cobre:

- Coloque una tuerca de 1/4" y una abrazadera de refuerzo (provista) sobre ambos extremos de la tubería de cobre. Inserte la tubería en el accesorio de unión con la unidad y ajuste la tuerca a la unión.
- Abra el suministro de agua para controlar que no haya pérdidas.

Tubería SmartConnect™:

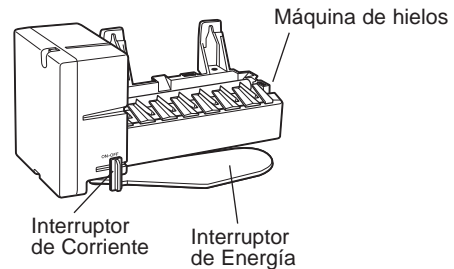
NOTA: La única tubería de plástico aprobada por Monogram es suministrada en los Kits de Tuberías para Refrigerador de SmartConnect™. No use ningún otro suministro de agua plástico, ya que el suministro se encuentra bajo presión en todo momento. Otros tipos de plásticos podrán sufrir fisuras o roturas con el paso del tiempo y ocasionar problemas con el agua en su hogar.

- Inserte el extremo moldeado de la tubería en la conexión del refrigerador o del freezer. Ajuste la tuerca de compresión hasta que quede fijada sólo con la presión manual.
- Realice un ajuste adicional con un giro de llave. ¡Un ajuste excesivo podrá ocasionar pérdidas!
- Abra el suministro de agua para controlar que no haya pérdidas.

NOTA: Asegúrese de que un exceso de la longitud de la tubería no interfiera con la instalación del zócalo.

PASO 9 INICIE LA MÁQUINA DE HIELOS (MODELOS CON FREEZER ÚNICAMENTE)

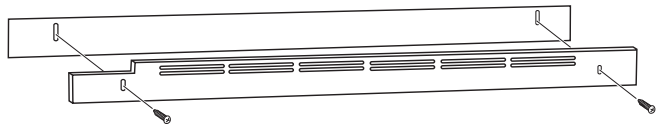
⚠ PRECAUCIÓN Para minimizar el riesgo de lesiones personales, evite el contacto con las partes móviles del mecanismo eyector o con el elemento de calefacción que libera los cubos. No coloque los dedos ni las manos en el mecanismo de la máquina de hielo automática mientras el electrodoméstico se encuentre enchufado.



- La máquina de helos comenzará a funcionar automáticamente.
- Asegúrese de que nada interfiera con la extensión del interruptor de energía.
- Descarte el primer balde lleno de cubos de hielo.
- Para apagar la máquina de helos, deslice el interruptor a OFF (Apagado).

PASO 12 INSTALE EL ZÓCALO

- Ubique los zócalos suministrados (embalados sobre el costado del electrodoméstico). La unidad será enviada con dos conjuntos de zócalos. El zócalo más corto deberá ser usado para la instalación estándar. Descarte el otro conjunto de zócalos. Instale el ensamble del zócalo con los 2 tornillos provistos, ajuste hasta la altura deseada y ajuste los tornillos.



IMPORTANTE: Se podrá instalar un zócalo a medida que coincida con o complemente los gabinetes circundantes, pero NO podrá cubrir las ranuras de ventilación horizontales del zócalo de fábrica.

NOTA: Al realizar las instalaciones descritas en este libro, se deberán usar anteojos o gafas de seguridad.

NOTA: Monogram se esfuerza de forma constante para mejorar sus productos. Por lo tanto, los materiales, el aspecto y las especificaciones están sujetos a cambios sin aviso previo.



MONOGRAM