



# INSTALLATION INSTRUCTIONS

**30", 36" and 48"**  
**Dual Fuel Professional Ranges**

ENGLISH/FRANÇAIS/ESPAÑOL.

# Safety Information

Have a question or need assistance with your appliance? Try the Monogram website 24 hours a day, any day of the year! You can also shop for more great Monogram products and take advantage of all our on-line support services designed for your convenience. In the US: [monogram.com](http://monogram.com)

## IN THE COMMONWEALTH OF MASSACHUSETTS

- This product must be installed by a licensed plumber or gas fitter.
- When using ball type gas shut-off valves, they shall be the T-handle type.
- A flexible gas connector, when used, must not exceed 5 feet.

## **⚠ WARNING** FIRE OR EXPLOSION HAZARD

If the information in this manual is not followed exactly, a fire or explosion may result causing property damage, personal injury or death.

Installation must be performed by a qualified installer.

Read these instructions completely and carefully.

Installation of this range must conform with local codes, or in the absence of local codes, with the National Fuel Gas Code, ANSI Z223.1/NFPA.54, latest edition. In Canada, installation must conform with the current Natural Gas Installation Code, CAN/CGA-B149.1 or the current Propane (LP) Installation Code, CAN/CGA-B149.2, and with local codes where applicable. This range has been design-certified by CSA International according to ANSI Z21.1, latest edition and Canadian Gas Association according to CAN/CGA-1.1 latest edition.

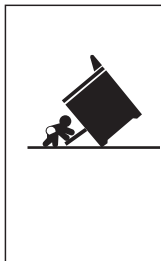
When installing a gas appliance the use of old flexible connectors can cause gas leaks and personal injury. Always use a NEW flexible connector.

Leak testing of the appliance shall be conducted according to the manufacturer instructions.

The range must be electrically grounded in accordance with local codes or, in the absence of local codes, in accordance with the National Electrical Code (ANSI/NFPA 70, latest edition). In Canada, electrical grounding must be in accordance with the current CSA C22.1 Canadian Electrical Code Part 1 and/or local codes. See Electrical Connections in this section.

Do not install this product with an air curtain hood or other range hood that operates by blowing air down on the cooktop. This airflow may interfere with operation of the gas burners resulting in fire or explosion hazard.

## FOR YOUR SAFETY

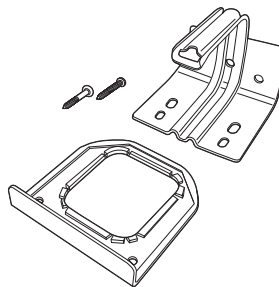


### **⚠ WARNING**

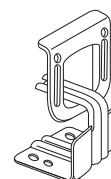
#### Tip-Over Hazard

- A child or adult can tip the range and be killed.
- Install the anti-tip bracket to the wall or floor.
- Engage the range to the anti-tip bracket by sliding the range back such that the foot is engaged.
- Re-engage the anti-tip bracket if the range is moved.
- Failure to do so can result in death or serious burns to children or adults.

If you did not receive an anti-tip bracket with your purchase, call 1.800.626.8774 to receive one at no cost. (In Canada, call 1.800.561.3344.) For installation instructions of the bracket, visit: [GEAppliances.com](http://GEAppliances.com). (In Canada, [GEAppliances.ca](http://GEAppliances.ca).)



Anti-Tip Bracket Kit Included



Rear View

**⚠ WARNING** Before beginning the installation, switch power off at service panel and lock the service disconnecting means to prevent power from being switched on accidentally. When the service disconnecting means cannot be locked, securely fasten a prominent warning device, such as a tag, to the service panel.

# READ AND SAVE THESE INSTRUCTIONS



# Safety Information

## BEFORE YOU BEGIN

Read these instructions completely and carefully.

- **IMPORTANT** — Save these instructions for local inspector's use.
- **IMPORTANT** — Observe all governing codes and ordinances.
- **IMPORTANT** — Remove all packing material and literature from oven before connecting gas and electrical supply to range.
- **IMPORTANT** — To avoid damage to your cabinets, check with your builder or cabinet supplier to make sure that the materials used will not discolor, delaminate or sustain other damage. This oven has been designed in accordance with the requirements of UL and CSA International and complies with the maximum allowable wood cabinet temperatures of 194°F (90°C).
- **Note to Installer** — Be sure to leave these instructions with the consumer.
- **Note to Consumer** — Keep these instructions with your Owner's Manual for future reference.
- **Service** — The electrical diagram is in an envelope attached to the back of the range.
- Proper installation is the responsibility of the installer.
- Product failure due to improper installation is not covered under warranty.
- Before installing your range on linoleum or any other synthetic floor covering, make sure the floor covering can withstand 180°F without shrinking, warping or discoloring. Do not install the range over carpeting unless a sheet of 1/4" thick plywood or similar insulator is placed between the range and carpeting.
- For Monogram Parts and Accessories, visit our website at [monogram.com/ownership/parts/](http://monogram.com/ownership/parts/)
- If you received a damaged range, you should contact your dealer.

## IF SOLD OUTSIDE THE U.S. AND CANADA

**▲WARNING** If you wish to use this product with Liquefied Petroleum (LP) gas containing greater than 10% butane, you must purchase the butane conversion kit #ZXBUPR01. To order, please call 1.888.664.8403 or 1.787.276.4051. Failure to do so may result in carbon monoxide or fire hazard.

## VENT HOOD COMBINATIONS

A suitable overhead vent hood is required for models with a grill and is recommended for all other models.

Due to the high heat capacity of this unit, particular attention should be paid to the hood and ductwork installation to assure it meets local building codes.

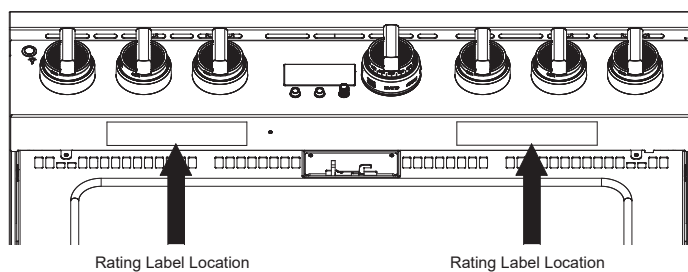
Clearances to horizontal surfaces above the range, measured to the cooking surface are below. Failure to comply may result in fire hazard.

- Installations without a hood require 48" minimum to combustibles except model ZDP484 where a suitable vent hood is required.
- A custom hood installation with exposed horizontal combustibles surfaces must have an Auto-On feature.
- For other installations with a hood, refer to hood installation instructions for specific hood clearances.

**▲CAUTION** These ranges weigh up to 700 pounds. Some disassembly will reduce the weight considerably. Due to the weight and size of the range and to reduce the risk of personal injury or damage to the product:

TWO PEOPLE ARE REQUIRED FOR PROPER INSTALLATION OF 36" AND 30" RANGES.

THREE PEOPLE ARE REQUIRED FOR PROPER INSTALLATION OF 48" RANGES.



## READ AND SAVE THESE INSTRUCTIONS

# Contents

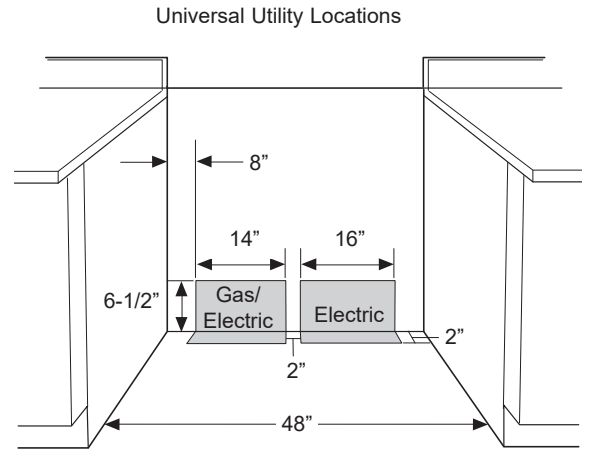
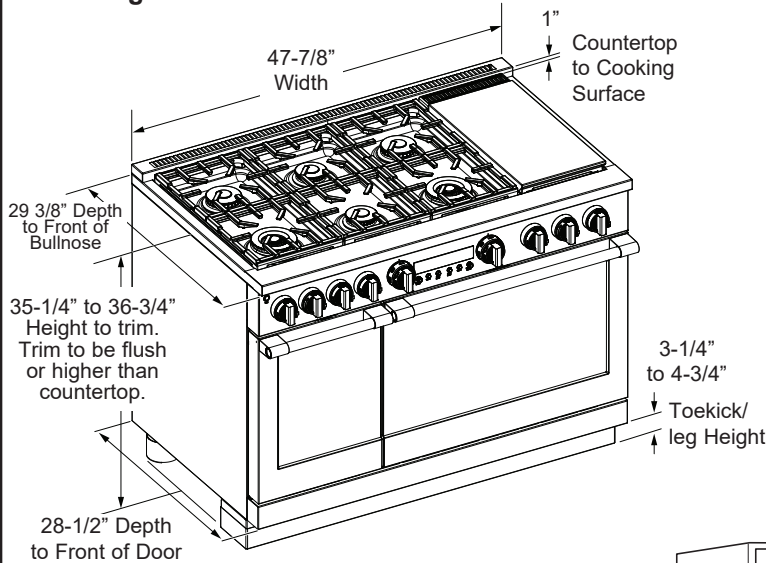
## CONTENTS

<b>Safety Information</b> .....	2	<b>Accessory Installation</b>	
<b>Design Information</b>		Toekick (included) .....	18
Product Dimensions and Clearances.....	5	<b>UX12BS36PSS, UX12BS48PSS Accessory Installation</b>	
<b>Installation Information</b>		<b>Optional Accessories—12” High Backsplash</b>	
WB28K10553 High Altitude Kit .....	9	Tools and Materials Required .....	19
Materials Provided.....	9	Install 12” Backsplash .....	19
Materials Required (not provided).....	9	<b>UXADBS36PSS, UXADBS48PSS Accessory Installation</b>	
Tools Required .....	9	<b>Accessories—30” To 36” Adjustable Backsplash</b>	
<b>Installation</b>		Tools and Materials Required .....	20
Remove Packaging .....	10	Install the Wall Support Panels .....	20
Move the Range Indoors.....	11	Install Cover Panels .....	21
Install Anti-Tip Device.....	12		
Converting to Propane (LP) Gas or Converting			
Back to Natural Gas From Propane (LP).....	13		
Gas Supply .....	13		
Electrical Connections.....	14		
Roll Range into Position .....	15		
Level the Range .....	16		
Replace Oven Door(s).....	16		
Check Burners.....	17		
Check Surface Burners .....	17		
Finalize Installation.....	17		
When All Hookups Are Completed.....	17		

# Design Information

## PRODUCT DIMENSIONS AND CLEARANCES

### 48" Range Models



### ⚠ WARNING

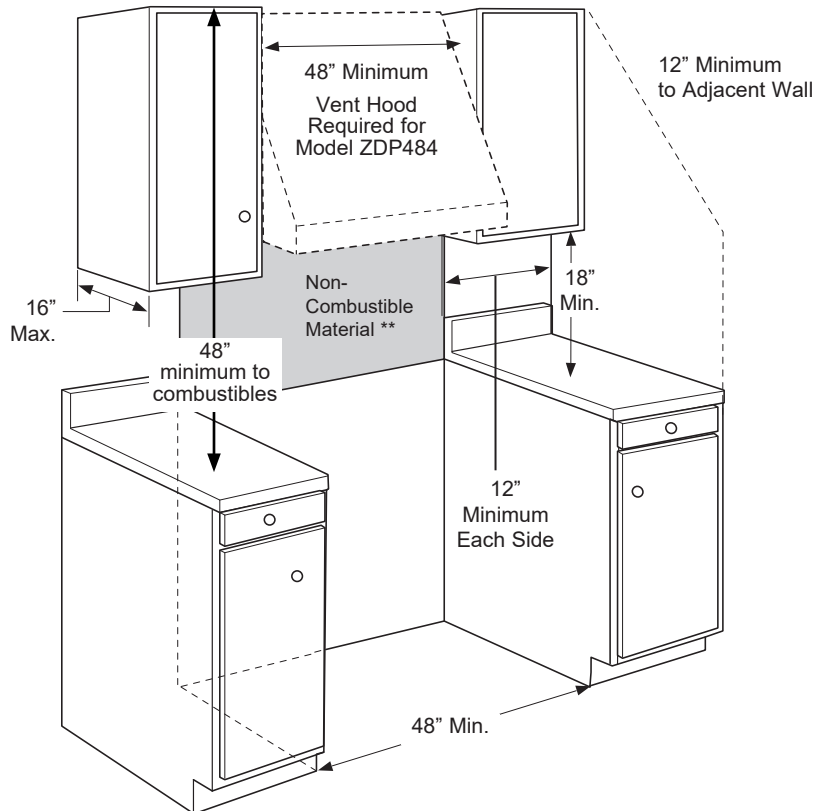
A suitable overhead vent hood is required for model ZDP484. Installations without a hood require 48" minimum to combustibles. A custom hood installation with exposed horizontal combustible surfaces must have an Auto-On feature. Refer to hood installation instructions for specific hood clearances.

The surface of the entire back wall above the range and below the hood must be covered with a non-combustible material such as metal, ceramic tile, brick, marble or other stone.

### ⚠ CAUTION

To prevent drafts from affecting burner operation, seal all openings in floor under appliance and behind appliance wall.

\*\* As defined in the National Fuel Gas Code (ANSI Z223.1/CSA B149.1, Current Edition). Clearances from non-combustible materials are not part of the ANSI Z21.1/CSA 1.1 scope and are not certified by CSA. Clearances less than 12" must be approved by local codes and/or the authority having jurisdiction.

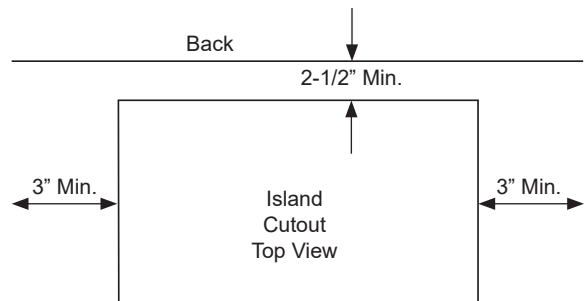


### ADDITIONAL CLEARANCES:

Allow 12" minimum clearance to an adjacent wall on each side.

Working areas adjacent to the rangetop should have 18" minimum clearance between countertop and the bottom of the wall cabinet.

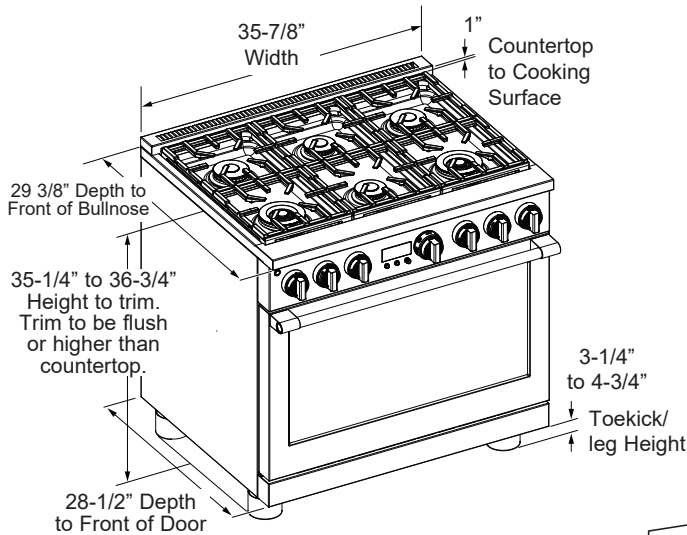
For island installation, maintain 2-1/2 in. minimum from cutout to back edge of countertop and 3 in. minimum from cutout to side edges of countertop (see top view).



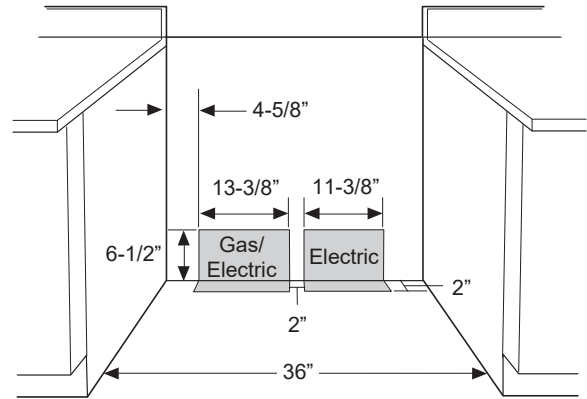
# Design Information

## PRODUCT DIMENSIONS AND CLEARANCES

### 36" Range Models



Universal Utility Locations

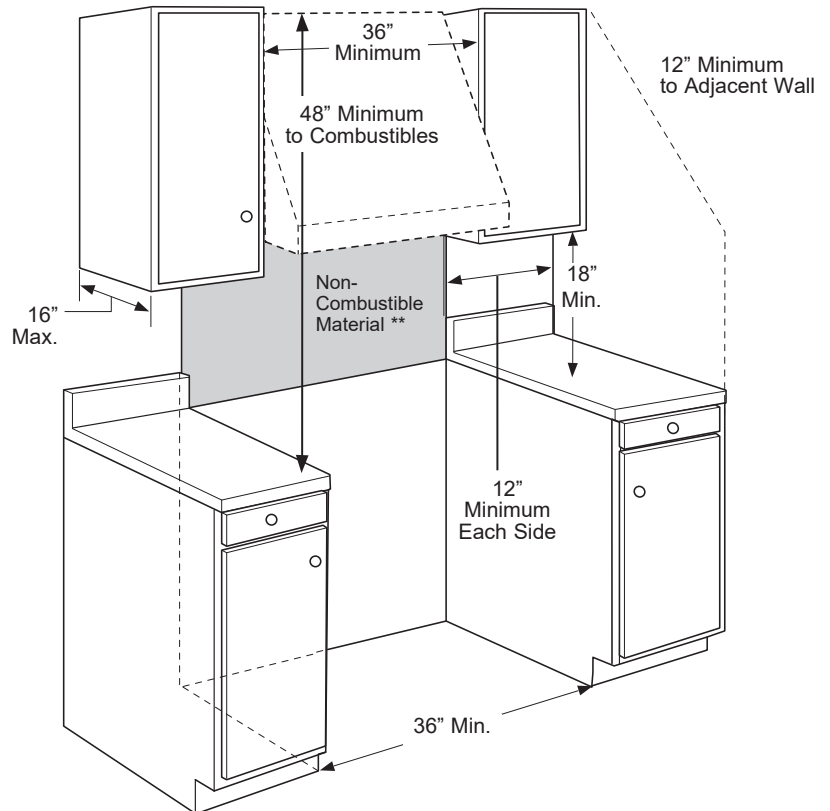


**⚠ WARNING** Installations without a hood require 48" minimum to combustibles. A custom hood installation with exposed horizontal combustible surfaces must have an Auto-On feature. Refer to hood installation instructions for specific hood clearances.

The surface of the entire back wall above the range and below the hood must be covered with a non-combustible material such as metal, ceramic tile, brick, marble or other stone.

**⚠ CAUTION** To prevent drafts from affecting burner operation, seal all openings in floor under appliance and behind appliance wall.

\*\* As defined in the National Fuel Gas Code (ANSI Z223.1/CSA B149.1, Current Edition). Clearances from non-combustible materials are not part of the ANSI Z21.1/CSA 1.1 scope and are not certified by CSA. Clearances less than 12" must be approved by local codes and/or the authority having jurisdiction.

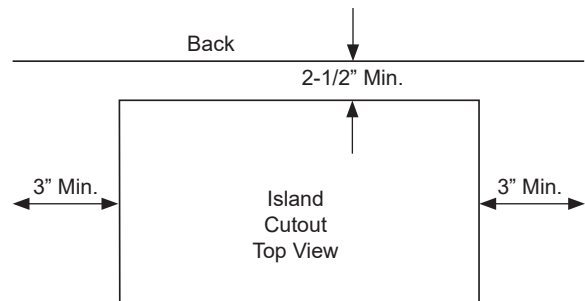


### ADDITIONAL CLEARANCES:

Allow 12" minimum clearance to an adjacent wall on each side.

Working areas adjacent to the rangetop should have 18" minimum clearance between countertop and the bottom of the wall cabinet.

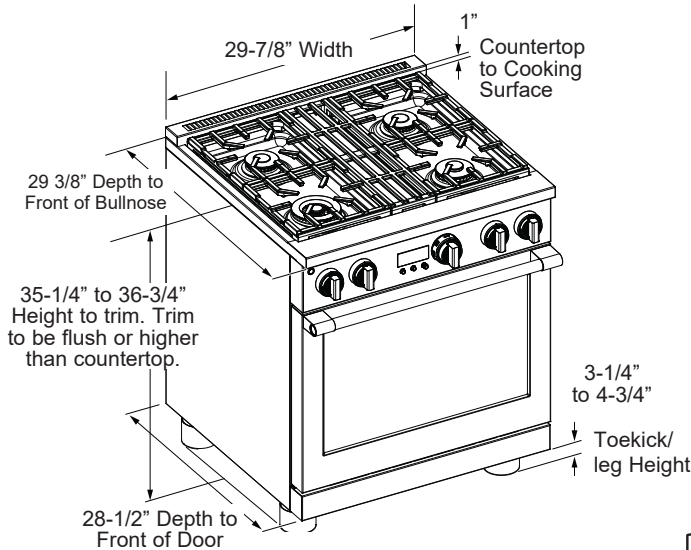
For island installation, maintain 2-1/2 in. minimum from cutout to back edge of countertop and 3 in. minimum from cutout to side edges of countertop (see top view).



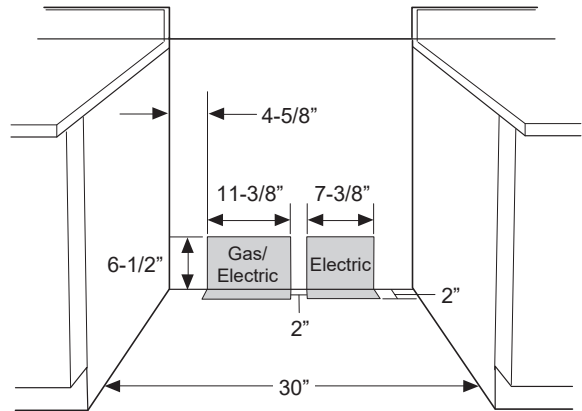
# Design Information

## PRODUCT DIMENSIONS AND CLEARANCES

### 30" Wide Range Models



Universal Utility Locations



### ⚠ WARNING

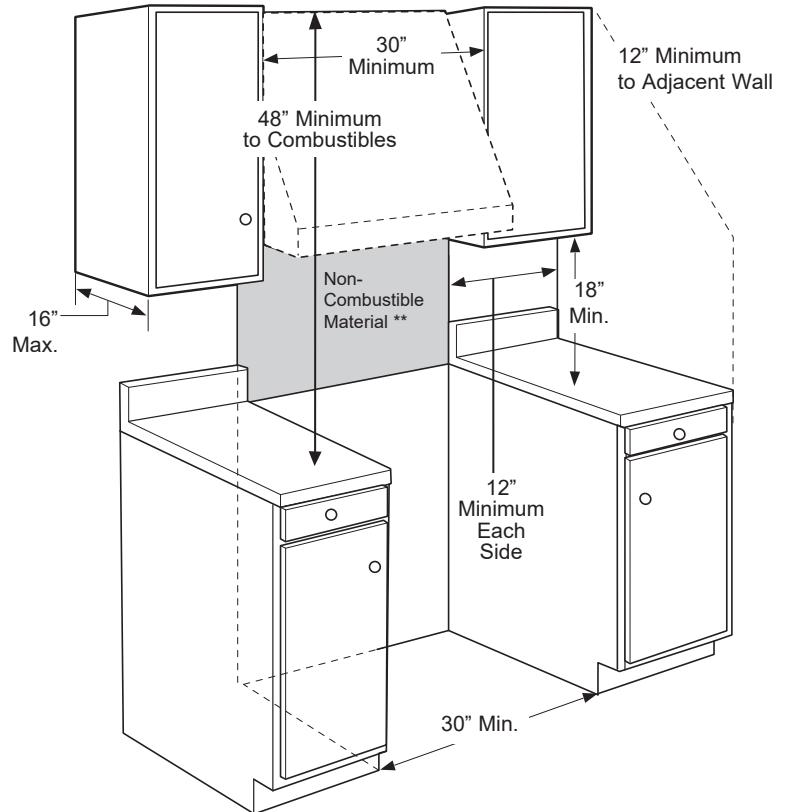
Installations without a hood require 48" minimum to combustibles. A custom hood installation with exposed horizontal combustible surfaces must have an Auto-On feature. Refer to hood installation instructions for specific hood clearances.

The surface of the entire back wall above the range and below the hood must be covered with a non-combustible material such as metal, ceramic tile, brick, marble or other stone.

### ⚠ CAUTION

To prevent drafts from affecting burner operation, seal all openings in floor under appliance and behind appliance wall.

\*\* As defined in the National Fuel Gas Code (ANSI Z223.1/CSA B149.1, Current Edition). Clearances from non-combustible materials are not part of the ANSI Z21.1/CSA 1.1 scope and are not certified by CSA. Clearances less than 12" must be approved by local codes and/or the authority having jurisdiction.

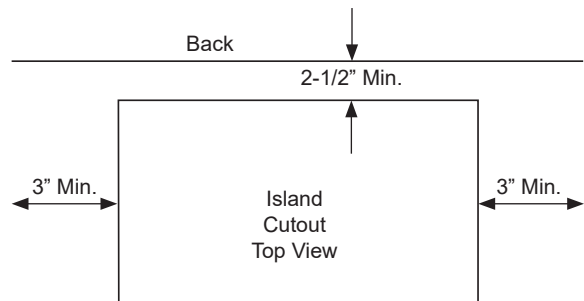


### ADDITIONAL CLEARANCES:

Allow 12" minimum clearance to an adjacent wall on each side.

Working areas adjacent to the rangetop should have 18" minimum clearance between countertop and the bottom of the wall cabinet.

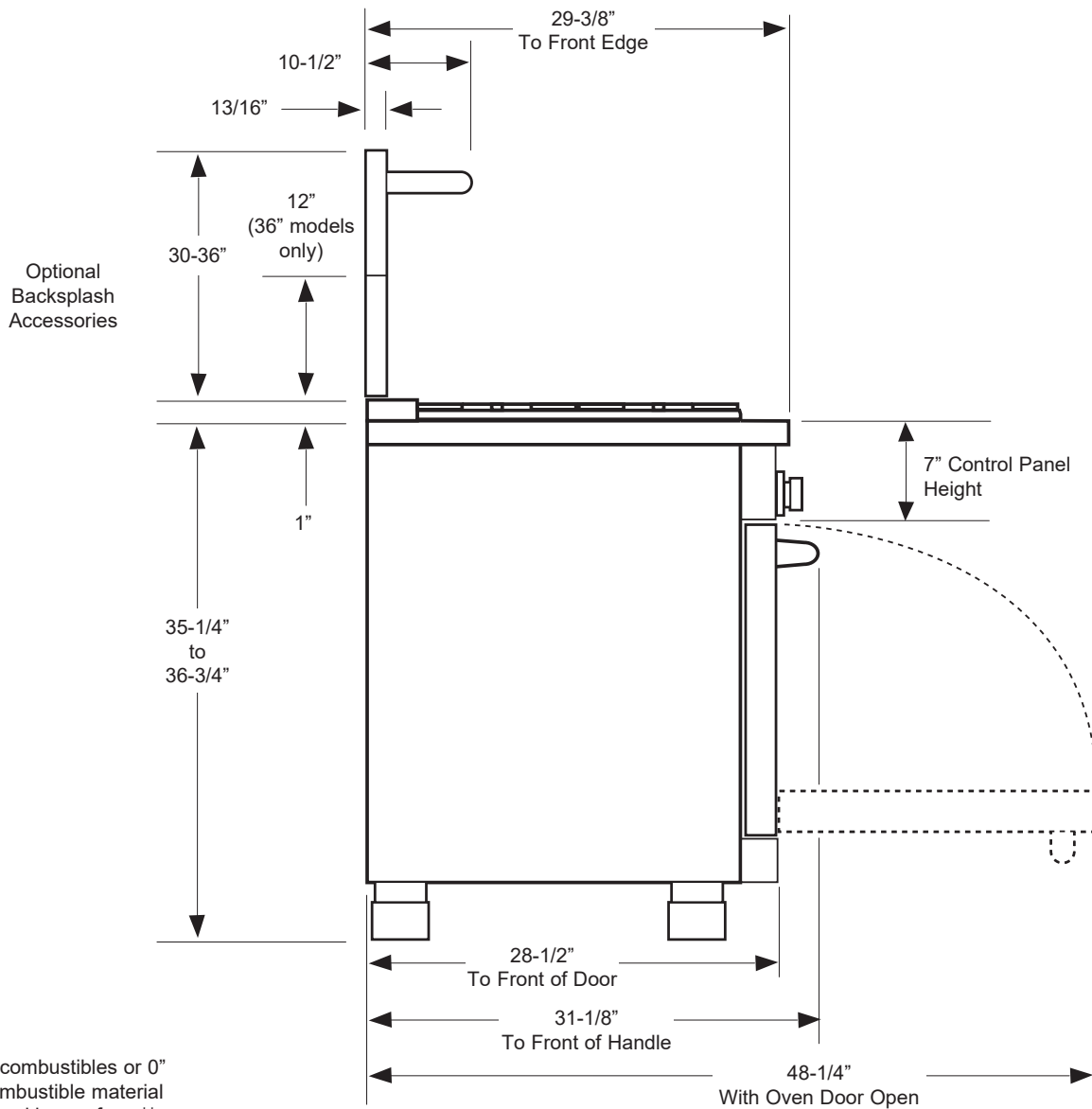
For island installation, maintain 2-1/2 in. minimum from cutout to back edge of countertop and 3 in. minimum from cutout to side edges of countertop (see top view).



# Design Information

## PRODUCT DIMENSIONS AND CLEARANCES

48", 36" and 30" Range Models



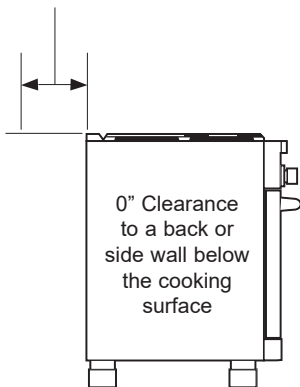
\*\* As defined in the National Fuel Gas Code (ANSI Z223.1/CSA B149.1, Current Edition). Clearances from non-combustible materials are not part of the ANSI Z21.1/CSA 1.1 scope and are not certified by CSA. Clearances less than 12" must be approved by local codes and/or the authority having jurisdiction.

### **⚠ WARNING**

The 12" high stainless steel backsplash accessory must be installed in combination with a custom non-combustible backsplash.

The finished backsplash must cover the entire back wall up to the bottom of a hood, or when there is no hood, 48" to combustibles.

(12" high stainless steel backsplash accessory is only available for the 36" model)

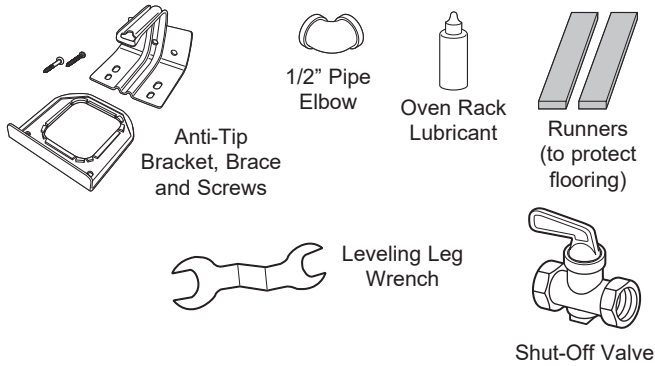


# Installation Information

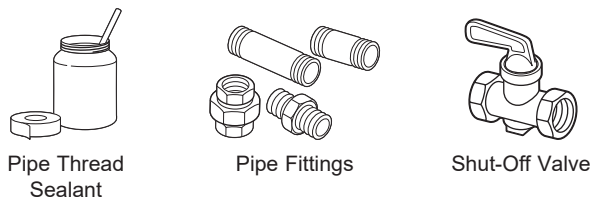
## INSTALLATION AT HIGH ALTITUDE

Over 6000ft, product configured for natural gas or propane requires installation of kit (WB28X39726 for natural gas and WB28X39727 for propane gas). Follow the instructions included with the kit.

## MATERIALS PROVIDED



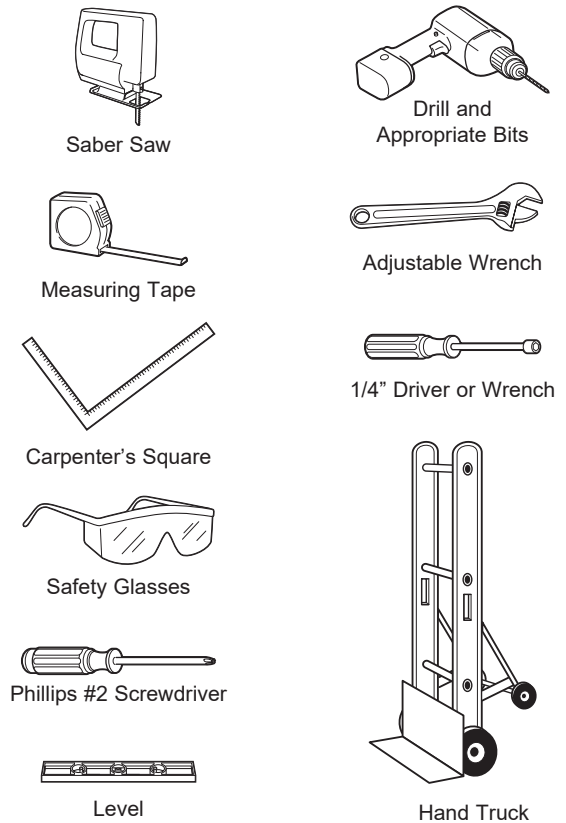
## MATERIALS REQUIRED (not provided)



5-foot maximum length, 5/8" O.D. CSA-approved flexible metal gas supply

**NOTE:** Purchase new flexible line; do not use previously used flexible gas line.

## TOOLS REQUIRED

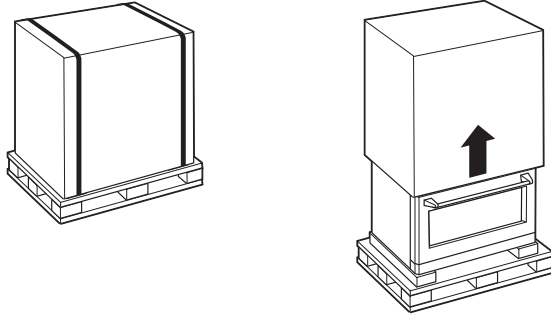




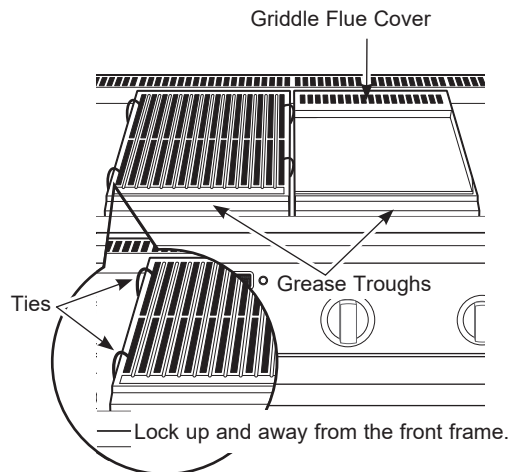
# Installation

## 1 REMOVE PACKAGING

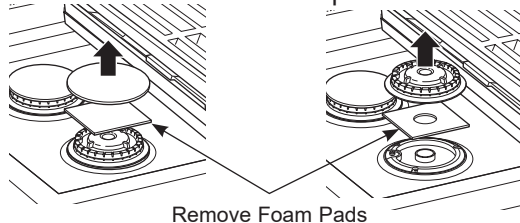
**CAUTION** Stand clear. The ends of the cut metal banding may snap toward you.



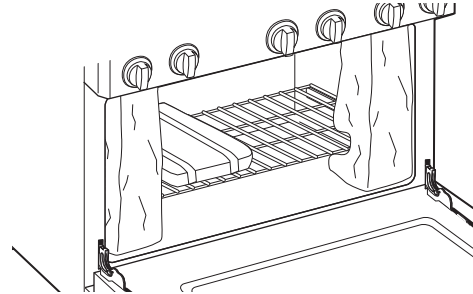
- Cut the metal banding. Lift the carton straight up.
- Locate the two runner strips from the top of the packaging. These strips will be used to protect the kitchen floor during installation.
- Remove corner posts. Dispose of packaging materials.
- Remove grill/griddle covers, grill grate and burner grates.
- Lift out cast-iron griddle flue cover, grease troughs and pads.
- Cut the ties holding the grill grate to the grill frame.



- Lift off burner caps and remove foam pad, then lift off burner heads and remove foam pad.

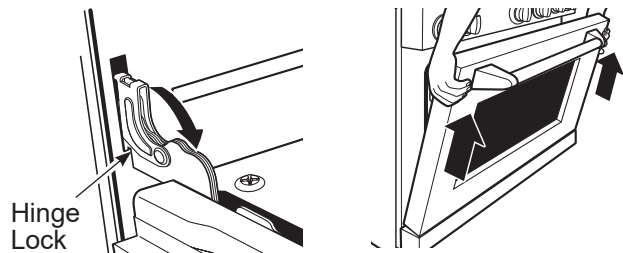


- Open oven door(s) and remove packaging. Remove shelf holding broiler pan, tape, literature package, shelf lubricant and probe.



**CAUTION** Doors and passageways leading to the installation location require at least 32" opening. If the opening is less than 32", the oven door(s) and control knobs must be removed.

REMOVE THE OVEN DOOR(S) ONLY IF NECESSARY to move the range through the doorways. To prevent damage to the sides of the range, it will be necessary to pad the corners beneath the straps on the hand-truck.



### To remove the oven door(s):

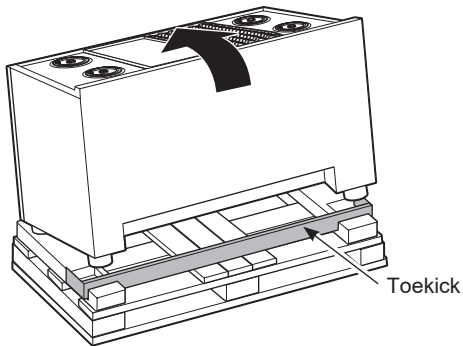
- To remove the oven door(s):
- Fully open the door.
- Each hinge has a hinge lock. Pull the hinge.
- Firmly grasp the door at the top sides.
- Close the door to the near-vertical position.
- Lift the door up and pull straight out.



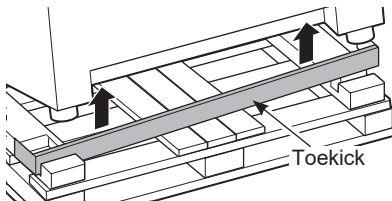
# Installation

## 2 MOVE THE RANGE INDOORS

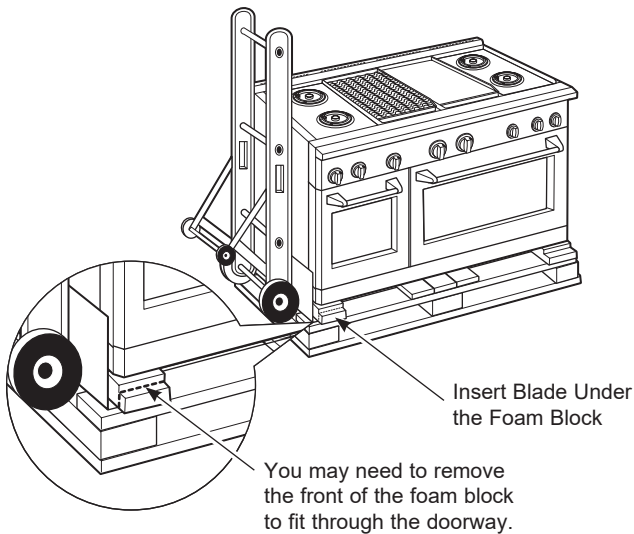
1. Tilt the range forward on the skid.



2. Lift the toekick out of the foam base.



3. Drive the blade of the hand-truck beneath the foam block.

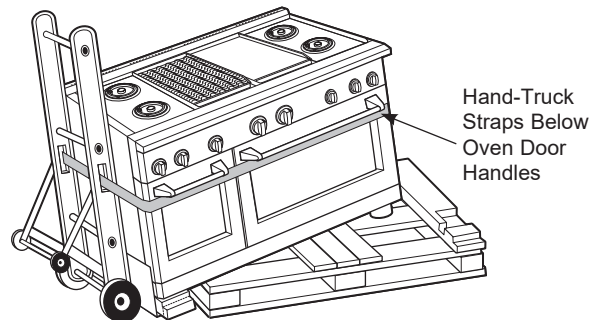


**IMPORTANT:** Do not remove the base foam block while the hand-truck is in use. Place the hand-truck blade underneath the base foam block and transport the range to the final location.

4. Attach the hand-truck straps around the unit.

**IMPORTANT:** Place the hand-truck straps below the oven door handles. To avoid damaging the side panels, place a pad between the hand-truck and the range.

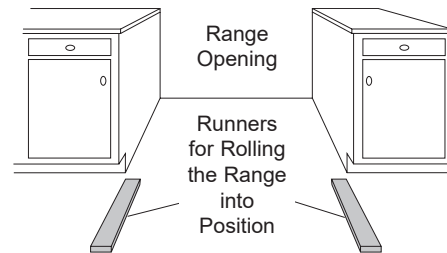
5. Tilt the range to lower the hand-truck wheels off the skid.



6. Place the appliance runners on the floor at the left and right sides in front of the opening.

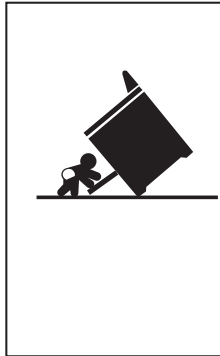
**IMPORTANT:** The runners provide a surface for rolling the range into the final position and will protect the floor finish. The runners must be removed before leveling the range.

7. Move the range indoors. Position the range in front of the installation location, onto the runners.



# Installation

## 3 INSTALL ANTI-TIP DEVICE



### ⚠ WARNING

#### Tip-Over Hazard

- A child or adult can tip the range and be killed.
- Install the anti-tip bracket to the wall or floor.
- Engage the range to the anti-tip bracket by sliding the range back such that the foot is engaged.
- Re-engage the anti-tip bracket if the range is moved.
- Failure to do so can result in death or serious burns to children or adults.

To reduce the risk of tipping the range, the range must be secured by a properly installed anti-tip bracket. See installation instructions shipped with the bracket for complete details before attempting to install.

To check if the bracket is installed and engaged properly, look underneath the range. The anti-tip bracket should be inserted into the opening on the anti-tip brace on the range. If the bracket arm misses the brace to the left or right, or the bracket arm is not protruding through the brace opening, the bracket must be reinstalled.

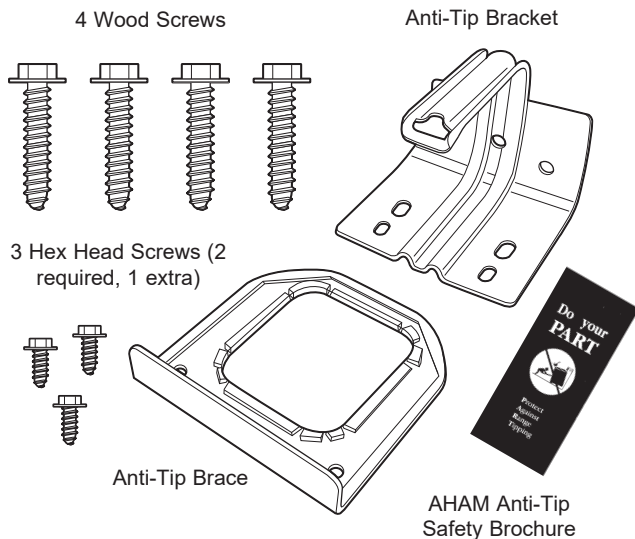
If the range is pulled from the wall for any reason, always repeat this procedure to verify the range is properly secured by the anti-tip bracket.

If your range has no anti-tip bracket, call 1.800.626.8774 to receive one at no cost.

If the anti-tip device supplied with the range does not fit this application, use the universal Anti-Tip Device WB2X7909.

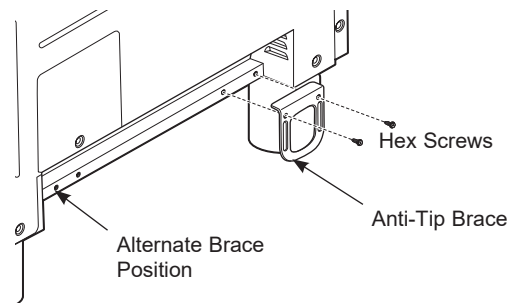
Read the AHAM Anti-Tip Safety Brochure packed with the bracket.

### Anti-Tip Parts Provided



- Attach the anti-tip brace onto the bottom of the range in the recessed area. Install 2 hex screws (provided) through the brace and into the range.

**NOTE:** This anti-tip device may be installed on the opposite side of the range.



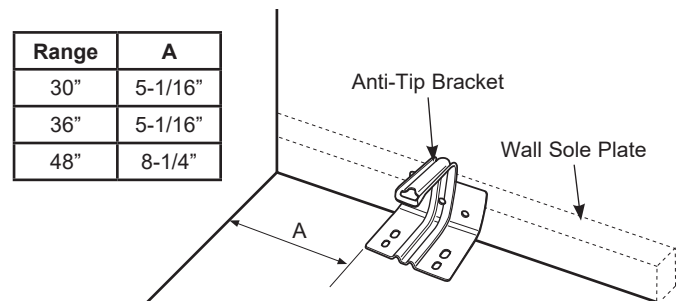
- Measure and mark Dimension A (see table below) from the left (or right) side of the installation location. If the countertop has an overhang, add that dimension to Dimension A.

- Place the anti-tip bracket against the floor and back wall at the marked location. Mark screw holes for fastening the bracket to the wall sole plate and the floor.

- Drill 1/8" pilot holes at a 20° angle.

- Secure the bracket to the wall and/or floor with at least 2 wood screws (provided).

**For Concrete or Cement Construction:** You must use appropriate fastening hardware (not provided).



Range	A
30"	5-1/16"
36"	5-1/16"
48"	8-1/4"

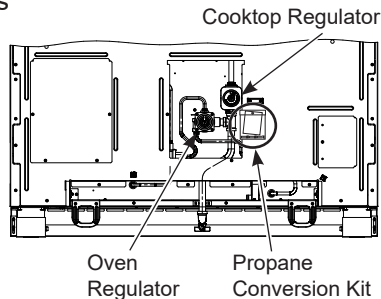
# Installation

## 4 CONVERTING TO PROPANE (LP) GAS OR CONVERTING BACK TO NATURAL GAS FROM PROPANE (LP)

This range leaves the factory set for use with natural gas. If you want to convert to propane (LP) gas, the conversion must be performed by a qualified propane (LP) gas installer.

The conversion orifices and instructions can be found on back of the range.

Keep these instructions and all orifices in case you want to convert back to natural gas.



## 5 GAS SUPPLY

**▲ WARNING** Fire Hazard: Do not use a flame to check for gas leaks.

**▲ WARNING** Explosion Hazard: Do not exceed 25 ft-lbs of torque when making gas line connections. Overtightening may damage the pressure regulator resulting in fire or explosion hazard.

### Gas Pressure Regulator

You must use the gas pressure regulator supplied with this range. For proper operations the inlet pressure to the regulator should be as follows:

#### Natural Gas:

Minimum pressure: 6" of Water Column

Maximum pressure: 13" of Water Column

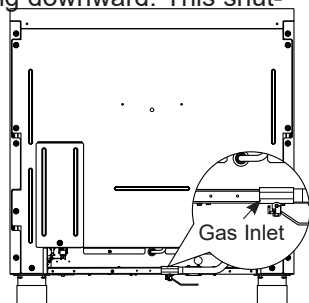
#### Propane (LP) Gas:

Minimum pressure: 11" of Water Column

Maximum pressure: 13" of Water Column

If you are not sure about the inlet pressure contact local gas supplier.

**NOTE:** A gas shutoff valve is shipped with this range and should be installed at the rear of the range near the floor with the handle facing downward. This shutoff valve is to be used in the event that service is required. To access the shutoff valve, remove the toe-kick panel and reach under the range. An optional 1/2" elbow is provided for connection to the range gas inlet.



## 5 GAS SUPPLY (cont.)

Shut off the main gas supply valve before disconnecting the old range and leave it off until the new hook-up has been completed. Don't forget to relight the pilot on other gas appliances when you turn the gas back on.

Because hard piping restricts movement of the range, the use of a CSA International-certified flexible metal appliance connector is recommended unless local codes require a hard-piped connection.

If the hard piping method is used, you must carefully align the pipe; the range cannot be moved after the connection is made.

To prevent gas leaks, put pipe thread sealant on, or wrap pipe thread tape with Teflon\* around, all male (external) pipe threads.

- Install a manual shut-off valve in the gas line in an easily accessed location outside of the range. Make sure everyone operating the range knows where and how to shut off the gas supply to the range.
- Install male 1/2" flare union adapter to the 1/2" NPT internal thread at inlet of the shut-off valve on the range. Use a backup wrench on the shut-off valve to avoid damage.
- Install male 1/2" or 3/4" flare union adapter to the NPT internal thread of the house shut-off valve, taking care to back-up the shut-off valve to keep it from turning.
- Connect flexible metal appliance connector to the adapter on the range. Position range to permit connection at the house shut-off valve.
- When all connections have been made, make sure all range controls are in the off position and turn on the main gas supply valve. Use a liquid leak detector at all gas connections to check for leaks in the system.

When using pressures greater than 1/2 psig to pressure test the gas supply system of the residence, disconnect the range and individual shut-off valve from the gas supply piping. When using pressures of 1/2 psig or less to pressure test the gas supply system, simply isolate the range from the gas supply system by closing the individual shut-off valve.

When checking for proper operation of the regulator, the inlet pressure must be at least 1" greater than the operating (manifold) pressure as given on rating label of product.

\*Teflon: Registered trademark of DuPont

# Installation

## 6 ELECTRICAL CONNECTIONS

**▲WARNING** This appliance must be properly grounded.

**▲WARNING** All new constructions, mobile homes, recreational vehicles and installations where local codes do not allow grounding through neutral, require a 4-conductor UL-listed range cord.

**▲WARNING** To prevent fire or shock, do not use an extension cord with this appliance.

**▲WARNING** To prevent shock, remove house fuse or open circuit breaker before beginning installation.

We recommend you have the electrical wiring and hookup of your range connected by a qualified electrician. After installation, have the electrician show you how to disconnect power from the range.

You must use a single-phase, 120/208 VAC or 120/240 VAC, 60 hertz electrical system. If you connect to aluminum wiring, properly installed connectors approved for use with aluminum wiring must be used.

Effective January 1, 1996, the National Electrical Code requires that new construction (not existing) utilize a 4-conductor connection to an electric range. When installing an electric range in new construction, mobile home, recreational vehicle, or an area where local codes prohibit grounding through the neutral conductor, refer to the section on four-conductor branch circuit connections.

Check with your local utilities for electrical codes which apply in your area. Failure to wire your oven according to governing codes could result in a hazardous condition. If there are no local codes, your oven must be wired and fused to meet the National Electrical Code, NFPA No. 70 – latest edition, available from the National Fire Protection Association.

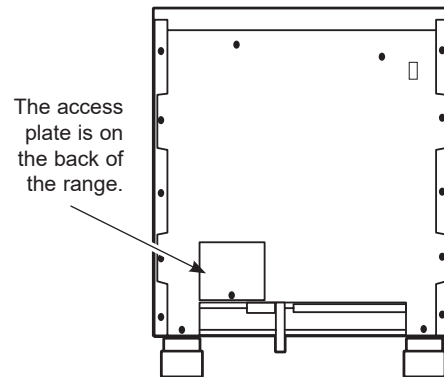
This appliance must be supplied with the proper voltage and frequency, and connected to an individual, properly grounded, (50 amp for 48" ranges, 30 amp for 36" and 30" ranges) branch circuit protected by a circuit breaker or time-delay fuse.

Use only a 3-conductor or a 4-conductor UL-listed range cord. These cords may be provided with ring terminals on wire and a strain relief device.

## 6 ELECTRICAL CONNECTIONS (Cont.)

A range cord rated at 40 amps with 125/250 minimum volt range is required. A 50 amp range cord is not recommended but if used, it should be marked for use with nominal 1 $\frac{3}{8}$ " diameter connection openings. Care should be taken to center the cable and strain relief within the knockout hole to keep the edge from damaging the cable.

**NOTE:** Use of automatic, wireless or wired external switches that shut off power to the appliances, are not recommended for this product.



## 7 4-WIRE POWER CORD INSTALLATION

**NOTE:** A 4-wire cord is connected to the range at the factory. Use the following steps to change an existing installation from a 3-wire cord back to a 4-wire cord.

**▲WARNING** The neutral wire of the supply circuit must be connected to the neutral terminal located in the lower center of the terminal block. The power leads must be connected to the lower left and the lower right terminals of the terminal block. The 4th grounding lead must be connected to the frame of the range with the ground plate and the ground screw.

- Remove the 3 lower terminal screws from the terminal block. Remove the ground screw and ground plate and retain them.

- Remove the ground strap.

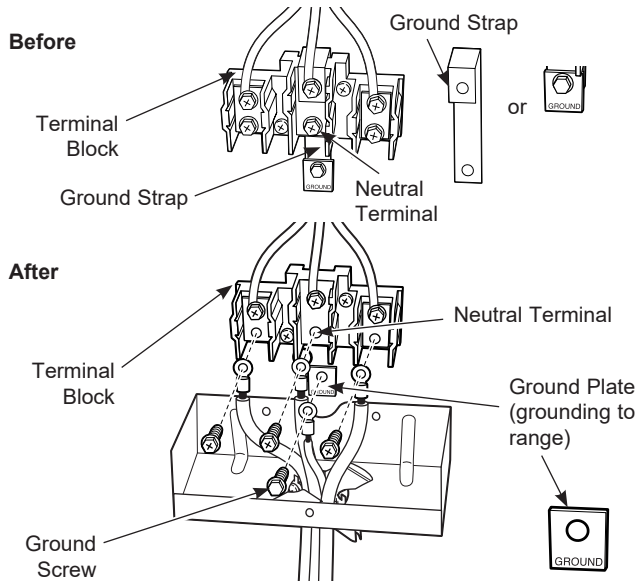
**DO NOT DISCARD THE GROUND STRAP OR ANY SCREWS.**

- Insert the one ground screw into the power cord ground wire terminal ring, through the ground plate and into the frame of the range.

# Installation

## 7 4-WIRE POWER CORD INSTALLATION (Cont.)

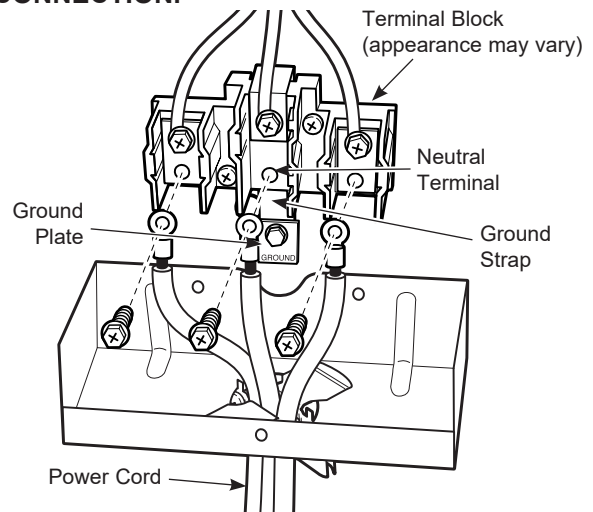
- Insert the 3 terminal screws (removed earlier) through each power cord terminal ring and into the lower terminals of the terminal block. Be certain that the center wire (white/neutral) is connected to the center lower position of the terminal block. Tighten screws securely into the terminal block.



## 8 3-WIRE POWER CORD INSTALLATION (Cont.)

- Remove the 3 lower terminal screws from the terminal block. Insert the 3 terminal screws through each power cord terminal ring and into the lower terminals of the terminal block. Be certain that the center wire (white/neutral) is connected to the center lower position of the terminal block. Tighten screws securely into the terminal block.

**DO NOT REMOVE THE GROUND STRAP CONNECTION.**



## 8 3-WIRE POWER CORD INSTALLATION

**NOTE:** A 4-wire cord is connected to the range at the factory. Use the following steps to change the range to a 3-wire cord.

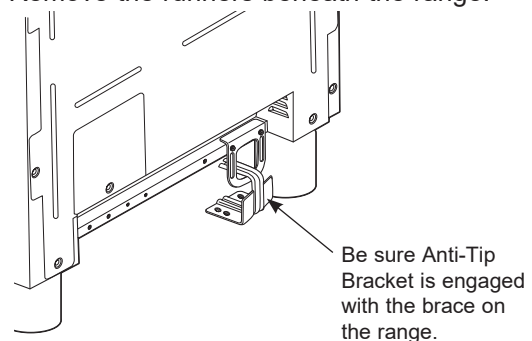
**⚠ WARNING** The neutral or ground wire of the power cord must be connected to the neutral terminal located in the center of the terminal block. The power leads must be connected to the lower left and the lower right terminals of the terminal block.

- Remove the ground strap (located at the right side of the terminal block) and connect between the center lower portion of the terminal block to the frame of the range.

## 9 ROLL RANGE INTO POSITION

**⚠ WARNING** The Anti-Tip Bracket must be properly installed to prevent tipping of the range. Failure to do so can cause serious damage or injury.

- Check to be sure the appliance runners are beneath the wheels.
- The range is shipped with the wheels in the down position. Carefully roll the range into position, being careful not to entangle or pinch the power cord and flexible gas tubing.
- Remove the runners beneath the range.





# Installation

## 10 LEVEL THE RANGE

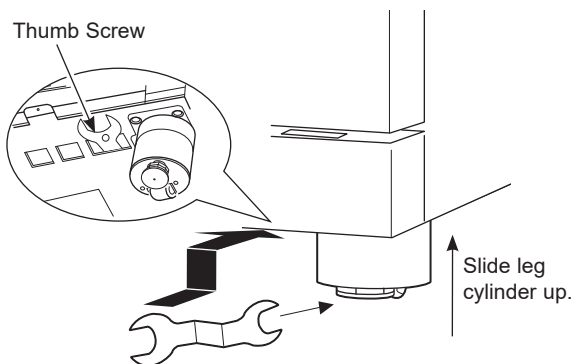
**▲WARNING** The range must be level and be supported by the legs—not the wheels. The range could move if the wheels make contact with the floor. Be sure all legs make contact with the floor in any installation.

- All legs must be leveled after the product is installed.
- Check to be sure the adjoining cabinets/countertops are level, front to back and left to right across the opening of the range.
- Measure the distance from the floor to the top of the countertop in the left and right rear corners.
- Adjust the height of the range to countertop height or higher.

**IMPORTANT:** This range should always be installed at countertop height or higher. **DO NOT INSTALL THE RANGE LOWER THAN ADJACENT COUNTERTOP HEIGHT.** The range must be supported by all 4 legs, regardless of countertop height.

### FRONT LEG ADJUSTMENT

- A leveling leg wrench is supplied. Reach under the front of the range near the right leg. Locate and remove a thumb screw, then slide wrench out of the slot.
- Slide front cylinders up to access front leveling legs. Be careful not to damage cylinder.



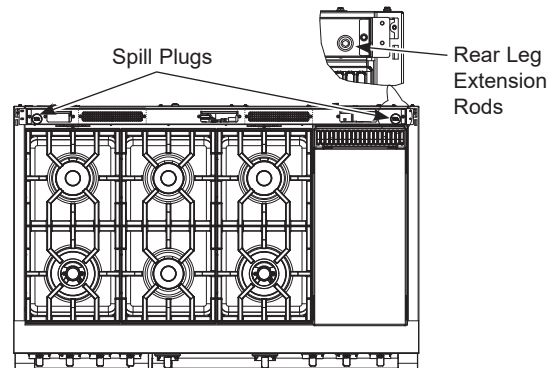
- Use the supplied wrench to adjust the front leveling legs. Turn clockwise to extend the legs to lift and stabilize the range. Turn counterclockwise to retract the legs and allow the range to rest on its rollers.
- Be sure to return the wrench to its storage slot for future use.

## 10 LEVEL THE RANGE (cont.)

### REAR LEG ADJUSTMENT

**▲WARNING** To reduce the risk of fire or electric shock, always replace the spill plugs in the leveling rod holes.

- Remove two screws from rear vent trim. Slide vent trim forward, then lift up to remove.
- Remove the 2 spill plugs to locate the rear leg extension leveling rods. Use a 1/4" driver or socket wrench to adjust the left or right rear legs.
- Find the two rear leg extension rods. Use a 1/4" driver or wrench to adjust the left or right rear legs.
- Replace the 2 spill plugs and then replace the rear vent trim using the original screws.



## 11 REPLACE OVEN DOOR(S)

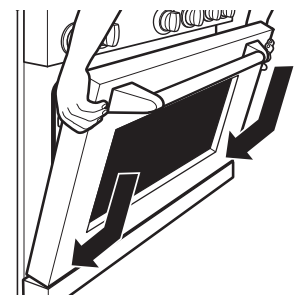
**Skip this step if oven doors are in place.**

**IMPORTANT:** Do not lift the door by the handle.

**To replace the oven doors:**

- Firmly grasp the door **at the top sides. This is critical.**
- Approach the range with the door angled in a vertical position.
- Guide the hinges into the slots.
- Push the door in firmly while opening.
- Once in position, open the door completely. Push the hinge locks back in toward the front frame.

**▲CAUTION** Take care when replacing the oven doors. If the hinge latch is not securely locked, the hinge may snap back and separate. If the hinge separates, you must apply pressure (possibly with your foot) to press it back together and then engage the hinge latch.

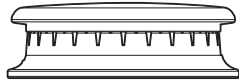


# Installation

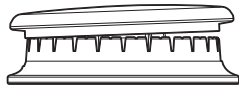
## 12 CHECK BURNERS

**⚠ WARNING** Fire or Explosion Hazard: Do not operate the burner without all burner parts in place.

- A. **Burners** - Place surface burners into corresponding positions on cooktop.
- B. **Caps** - Place caps on proper size burner.
- C. **Grates** - The left and right grates are interchangeable. Place the grates on the cooktop.



Burner Cap Properly Seated



Burner Cap Not Properly Seated

## 13 CHECK SURFACE BURNERS

Push and turn a knob to the LITE position. A clicking sound indicates proper operation of the ignition system. When lighting any burner, sparks will appear at all burners but gas flows from only the one selected. Once air is purged from the supply line, burner should light within 4 seconds. After burner lights, rotate the knob out of the LITE position. Try each burner in succession until all burners have been checked.

### Quality of Flames

Determine the quality of flames visually. Normal burner flames should look like (A) or (B).



(A) Soft blue flames—  
Normal for natural gas



(B) Yellow tips on  
outer cones—  
Normal for propane (LP) gas

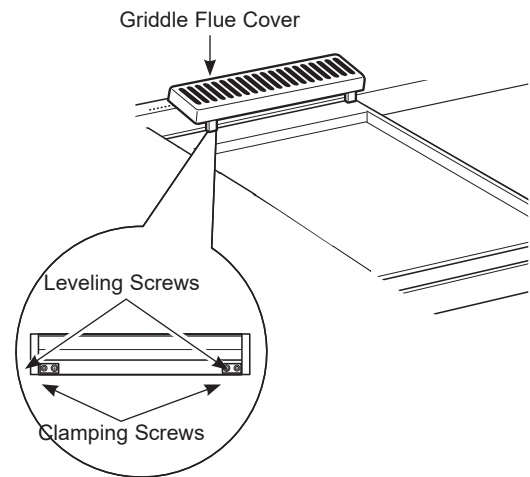
Long, bright yellow flames are not normal. Normal flames may show signs of an orange tint when well heated or signs of flickering orange due to particles in the gas or air.

## FINALIZE INSTALLATION

Place the burner grates over the burners. The grates should be seated and should not rock.

The griddle is secured with screws. It is designed to be stationary and should not be removed.

The griddle has two leveling screws beneath the rear flue cover that can be used to adjust to the desired slope.



The two inner screws are clamping screws for securing the griddle in place. Loosen these two screws before leveling. Do not remove these two screws.

The two outer screws are leveling screws. Do not remove these two screws. They can be turned to level the griddle or to provide a forward slope to help grease and oils drain away from the food being cooked.

After leveling the griddle, hand-tighten the clamping screws; do not over-tighten.

## WHEN ALL HOOKUPS ARE COMPLETED

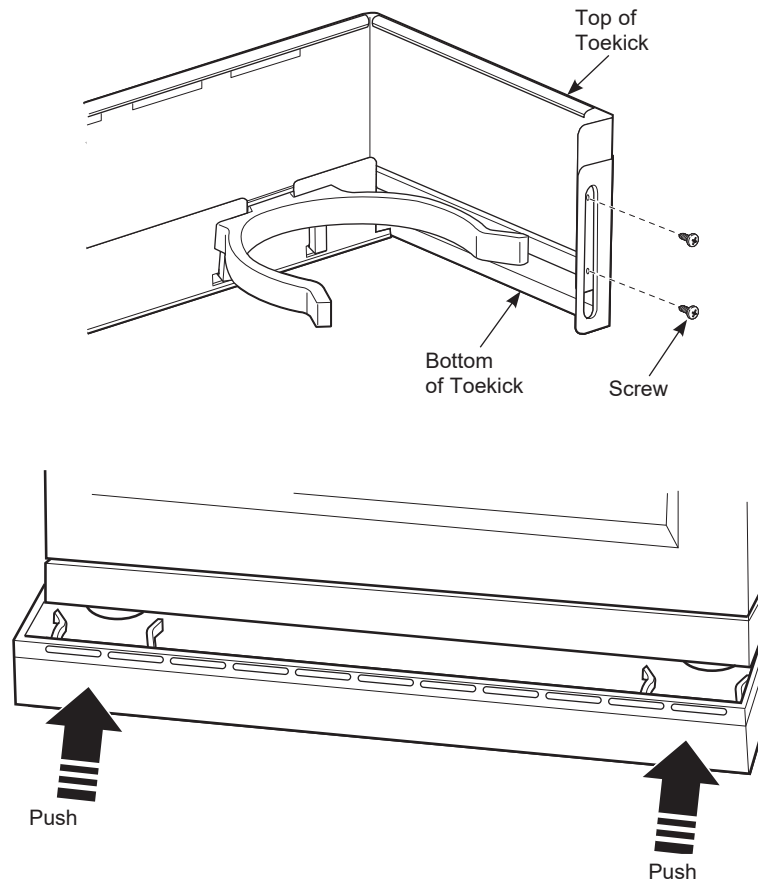
Make sure all controls are left in the off position. Make sure the flow of combustion and ventilation air to the range is unobstructed.

Check that all packing materials and tape have been removed. This will include tape on metal panel under control knobs (if applicable), adhesive tape, wire ties, cardboard, and protective plastic. Failure to remove these materials could result in damage to the appliance once the appliance has been turned on and surfaces have heated.

# Accessory Installation

## TOEKICK (included)

- Install the toekick after the range has been leveled.
  - Measure the distance between the floor and the bottom of range.
  - Loosen the two screws on each end. Adjust the toekick height by sliding the upper and lower pieces apart to 1/8" less than the measured height.
  - Secure the top and bottom sections by tightening the 2 screws on each end.
  - Push toekick against range leg until clip snaps to legs.
- NOTE:** Be sure the toekick snaps securely to the leg.





# UX12BS36PSS, UX12BS48PSS Accessory Installation

## OPTIONAL ACCESSORIES—12" HIGH BACKSPLASH

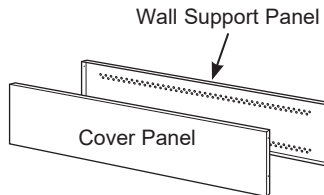
This kit provides for the installation of a 12" high backsplash for 36" Professional Ranges and Rangetops.

### TOOLS AND MATERIALS REQUIRED

- Gloves to protect against sharp edges
- T-15 and #2 Phillips screwdrivers
- Drill with 3/32" and 9/64" bits
- Safety glasses
- Level
- Pencil

### This Kit Includes

- Wall support panel
- Cover panel
- Hardware package with
  - 5 Stainless Steel Torx 15 #8 self-tapping screws
  - 5 Phillips #2 pan head wood #10 screws

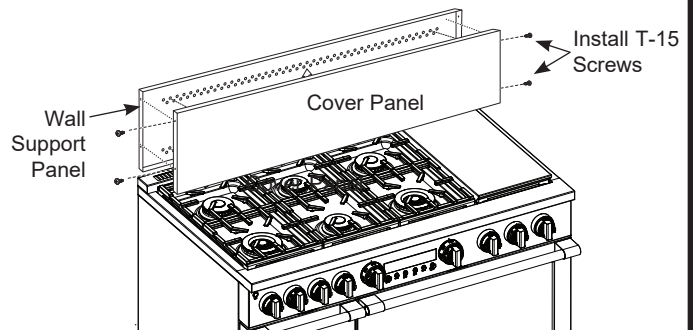
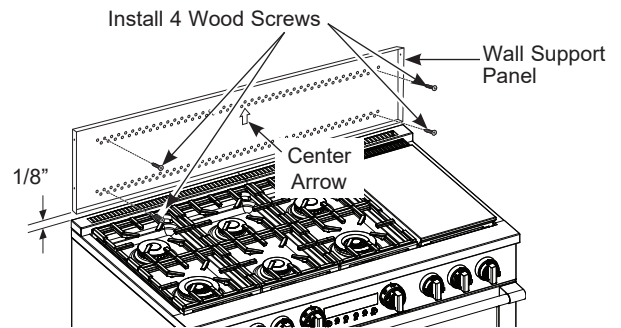


Hardware Package

### INSTALL 12" BACKSPLASH

**⚠ WARNING** This backsplash must be securely fastened to the wall. Failure to do so could result in damage or personal injury.

- Install and level the range or rangetop and the range hood according to the installation instructions.
- Remove the backsplash packaging and protective film.
- Use a level to pencil a horizontal line on the wall, 1/8" above the range or rangetop. The 1/8" gap allows the cover panel to overlap the wall support panel.
- Locate wall studs on each side. Where studs are not available, plan to use wall anchors (not provided).
- Align the wall support panel on the marked horizontal line and centered left to right.
- The wall support panel must be secured to the wall at all 4 corners. Use wood screws (provided) or wall anchors (not provided) to secure the support panel to the wall.
- Place the cover panel over the wall support panel and secure with Torx screws (provided). Install 2 screws on each side.



# UXADBS36PSS, UXADBS48PSS Accessory Installation

## ACCESSORIES—30" TO 36" ADJUSTABLE BACKSPLASH (not included)

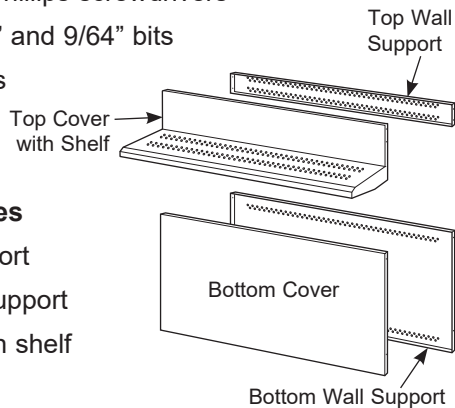
- This backsplash adjusts to fit the space between the top of the range and the bottom of the hood, from 30" Min. to 36" Max. height.
- Maximum shelf load-bearing weight is 40 lbs.

### TOOLS AND MATERIALS REQUIRED

- Gloves to protect against sharp edges
- T-15 and #2 Phillips screwdrivers
- Drill with 3/32" and 9/64" bits
- Safety glasses
- Level
- Pencil

#### This Kit Includes

- Top wall support
- Bottom wall support
- Top cover with shelf
- Bottom cover
- Hardware package with
  - 9 Stainless Steel Torx 15 #8 self-tapping screws
  - 9 Phillips #2 pan head wood #10 screws
  - 3 Stainless Steel #2 truss head #10 screws (for alternate installation method)



Hardware Package

### INSTALL THE WALL SUPPORT PANELS

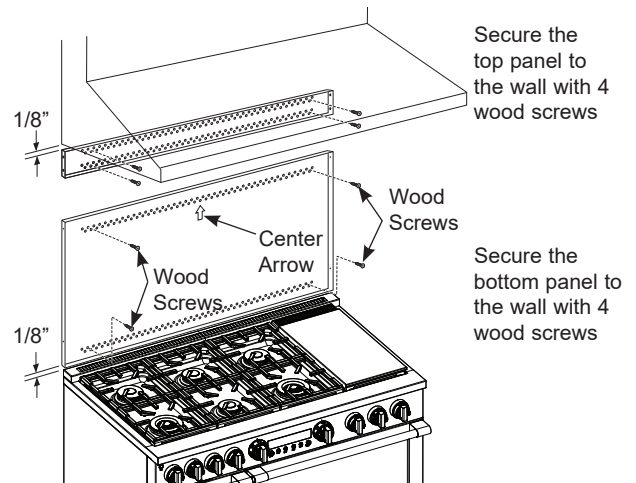
#### ⚠ WARNING

The wall support panels must be securely fastened to the wall. Failure to do so could result in damage or personal injury.

**IMPORTANT:** This backsplash is designed to cover the wall between the bottom of the hood and the top of the range. The vent hood should be installed over the rangetop or range before installing this backsplash.

- Install and level the Range/Rangetop according to the product installation instructions.
- Remove backsplash packaging and protective film.
- Locate wall studs on each side. Where studs are not available, plan to use wall anchors (not provided).
- Use a level to pencil 2 horizontal lines on the wall, one 1/8" below the vent hood and the other 1/8" above the Range/Rangetop. This 1/8" space allows the cover panels to overlap the wall supports.
- Secure the top wall support panel to the wall with 4 wood screws, through the outermost studs.
- Use 4 wood screws to secure the bottom wall support panel. The center slot should be positioned at the top.

The gap between the top and bottom support panels will be covered by the top cover with shelf.



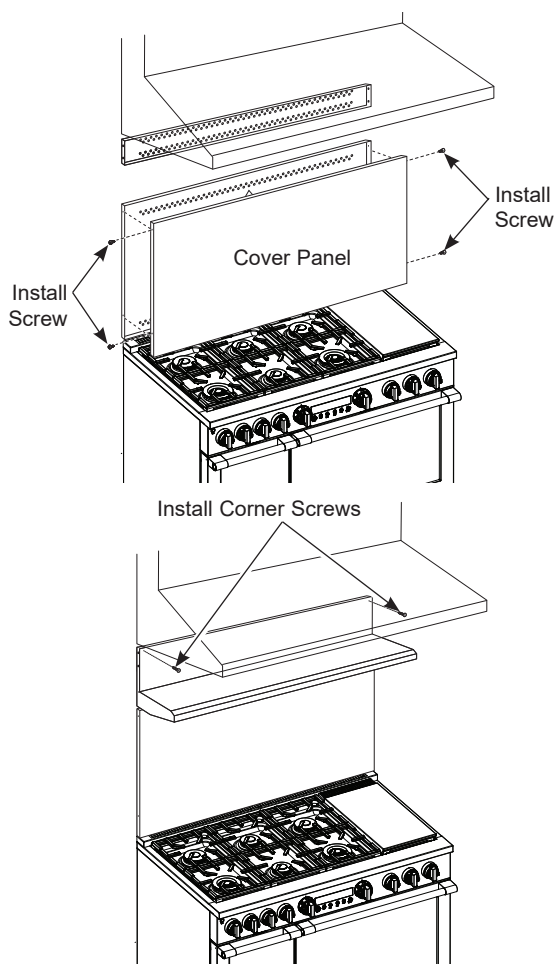
# UXADBS36PSS, UXADBS48PSS Accessory Installation

## ACCESSORIES—30" TO 36" ADJUSTABLE BACKSPLASH (not included) (Cont.)

### INSTALL COVER PANELS

See alternate method if side access is blocked.

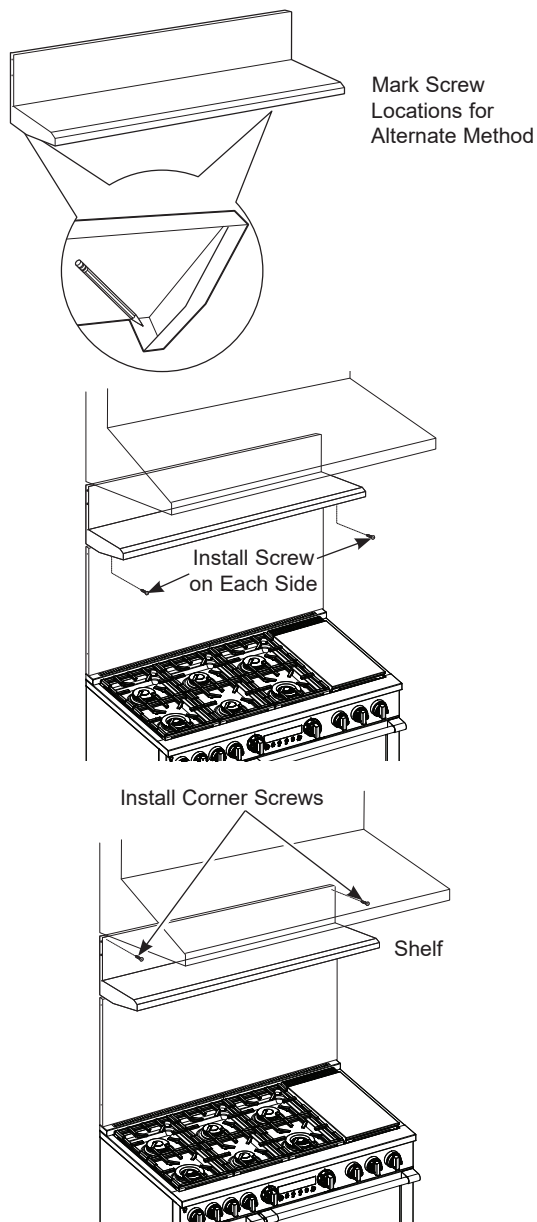
- Hold the bottom cover over the bottom support while driving one screw (provided) into each side.
- Place the top cover with shelf over the top wall support. If you have access to the sides, secure the panel with two screws on each side.
- Secure the top cover with shelf to the top support with screws through the front of the panel, at the top corners. Use one screw on each side.



### INSTALL COVER PANELS (cont.)

#### ALTERNATE METHOD: When side access is blocked

- Install bottom cover over the bottom support while driving one screw into each side.
- Hold top cover in place while marking screw locations, just below shelf support and onto bottom cover.
- Remove the shelf and drill a 9/64" diameter hole in the pencil-marked locations.
- Mount the top cover over the top support and secure the front cover with screws through the drilled holes on each side.
- Install screws through each top corner.



# Notes

---

# Notes

---

**NOTE:** While performing installations described in this book, safety glasses or goggles should be worn.

**NOTE:** Product improvement is a continuing endeavor at GE Appliances. Therefore, materials, appearance and specifications are subject to change without notice.



# INSTRUCTIONS D'INSTALLATION

**Cuisinières au gaz naturel ou propane professionnelles  
de 30" (76 cm), 36" (91 cm) et de 48" (121 cm)**

FRANÇAIS

MONOGRAM.COM

# Consignes de Sécurité

Vous avez une question ou vous avez besoin d'aide pour votre appareil électroménager? Visitez le site Web Monogram 24 heures par jour, tous les jours de l'année! Vous pouvez aussi y trouver d'autres produits Monogram formidables et tirer avantage de tous nos services d'assistance en ligne. Aux États-Unis : [monogram.com](http://monogram.com)

## DANS LE COMMONWEALTH DU MASSACHUSETTS

- Ce produit doit être installé par un plombier ou un monteur d'installations au gaz agréés.
- Si l'on utilise des robinets de sectionnement du gaz à rotule, ils doivent comporter une poignée en « T ».
- Un raccord de gaz flexible, le cas échéant, ne doit pas excéder 1,5 m (5 pi).

## ⚠ AVERTISSEMENT RISQUE D'INCENDIE OU D'EXPLOSION

Si les instructions contenues dans ce manuel ne sont pas observées rigoureusement, un incendie ou une explosion peuvent en résulter et causer des dommages à la propriété, des blessures corporelles ou la mort.

L'installation doit être effectuée par un installateur qualifié.

Lisez ces instructions au complet et attentivement.

L'installation de cette cuisinière doit se conformer aux codes locaux, ou en l'absence de codes locaux, conformément au National Fuel Gas Code, ANSI Z223.1/NFPA.54, dernière édition. Au Canada, l'installation doit se conformer au Code d'installation du gaz naturel actuel CAN/CGA-B149.1 ou au Code d'installation du propane (LP) CAN/CGA-B149.2, ainsi qu'à tous les codes locaux en vigueur. Cette cuisinière a été certifiée par CSA International selon la norme ANSI Z21.1, dernière édition, et par l'Association canadienne du gaz selon la norme CAN/CGA-1.1, dernière édition.

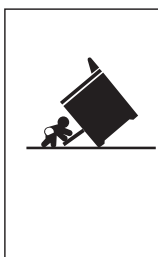
Lors de l'installation d'un appareil au gaz, l'utilisation de vieux raccords flexibles peut causer des fuites de gaz et des blessures. Utilisez toujours un raccord flexible NEUF.

La détection de fuites sur cet appareil doit être effectuée conformément aux instructions du fabricant.

La cuisinière doit être mise à la terre électriquement conformément aux codes locaux ou, en l'absence de codes locaux, conformément au National Electrical Code (ANSI/NFPA 70, dernière édition). Au Canada, la mise à la terre électrique doit se conformer à la norme CSA C22.1 de la Partie 1 du Code canadien de l'électricité actuel et/ou aux codes locaux. Consultez la rubrique Raccordements électriques dans cette section.

N'installez pas ce produit avec une hotte à rideau d'air ou d'autres hottes de cuisinière qui fonctionnent en soufflant de l'air vers le bas sur la table de cuisson. Ce flux d'air peut gêner le fonctionnement des brûleurs à gaz et poser un risque d'incendie ou d'explosion.

## POUR VOTRE SÉCURITÉ

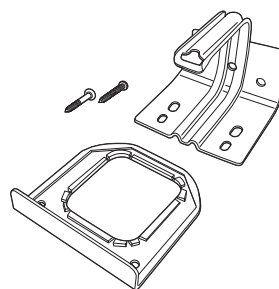


### ⚠ AVERTISSEMENT

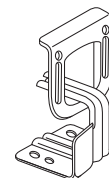
#### Risque de basculement

- Un enfant ou un adulte peut faire basculer la cuisinière et ainsi perdre la vie.
- Posez la ferrure antibasculement sur le mur ou le plancher.
- Remettez la cuisinière en place en la glissant de façon que son pied s'insère dans la ferrure antibasculement.
- Insérez le pied de nouveau si vous déplacez la cuisinière.
- L'omission d'observer ces consignes peut occasionner la mort ou des brûlures graves aux enfants ou aux adultes.

Si vous n'avez pas reçu une ferrure antibasculement avec votre achat, composez le 1.800.626.8774 pour en obtenir un gratuitement. (Au Canada, composez le 1.800.561.3344.) Pour des instructions d'installation de la ferrure, visitez : [GEAppliances.com](http://GEAppliances.com). (Au Canada, [GEAppliances.ca](http://GEAppliances.ca).)



Trousse de ferrure antibasculement incluse



Vue arrière

### ⚠ AVERTISSEMENT

Avant de commencer l'installation, coupez l'alimentation électrique au panneau de service et verrouillez ce panneau de façon à empêcher le rétablissement accidentel du courant électrique. S'il est impossible de verrouiller le panneau de service, fixez solidement un avertissement bien visible, par exemple une étiquette, sur le panneau de service.

# LISEZ ET CONSERVEZ CES INSTRUCTIONS



# Consignes de Sécurité

## AVANT DE COMMENCER

Lisez attentivement l'ensemble des consignes.

- **IMPORTANT** — Conservez ces instructions pour l'inspecteur local.
- **IMPORTANT** — Respectez toutes les normes ainsi que les recommandations préconisées par les autorités compétentes.
- **IMPORTANT** — Retirez tout le matériel d'emballage et la documentation dans le four avant de raccorder les alimentations en gaz et électrique à la cuisinière.
- **IMPORTANT** — Pour éviter d'endommager vos armoires, vérifiez auprès de votre entrepreneur ou votre fournisseur d'armoires si les matériaux utilisés résisteront à la décoloration, la délamination et à d'autres dommages. La conception de ce four est conforme aux exigences des organismes de certification UL et CSA International et satisfait la température maximale admissible de 90 °C (194 °F) pour armoires en bois.
- **Remarque à l'attention de l'installateur** — BAssurez-vous de laisser ces instructions au consommateur.
- **Note au consommateur** — Gardez ces instructions avec votre manuel d'utilisation pour référence ultérieure.
- **Technicien en réparation** — Le schéma électrique se trouve dans une enveloppe attachée à l'arrière de la cuisinière.
- L'exactitude de l'installation relève de la responsabilité de l'installateur.
- La garantie ne couvre pas un produit défectueux en raison d'une installation incorrecte.
- Avant d'installer votre cuisinière sur du linoléum ou tout autre recouvrement de plancher synthétique, assurez-vous que le recouvrement peut supporter une température de 180 °F sans rétrécir, gauchir ou se décolorer. N'installez pas la cuisinière sur un tapis à moins de poser un contreplaqué de 1/4 po d'épaisseur ou un matériau isolant similaire entre la cuisinière et le tapis.
- Pour les pièces et accessoires Monogram, visitez notre site sur [monogram.com/ownership/parts/](http://monogram.com/ownership/parts/)
- Si vous recevez une cuisinière défective, veuillez contacter votre revendeur.

## SI L'ARTICLE EST VENDU À L'EXTÉRIEUR DES É.-U. OU DU CANADA

### ▲ AVERTISSEMENT

Si vous souhaitez utiliser ce produit avec un gaz de pétrole liquéfié (LP) qui contient plus de 10 % de butane, vous devez vous procurer la trousse de conversion au propane ZXBUPR01 de Haier Appliances. Pour commander, veuillez composer le 1.888.664.8403 ou le 1.787.276.4051. Le non-respect de cette consigne pourrait présenter un risque d'incendie ou d'intoxication au monoxyde de carbone.

## DISPOSITIONS DE HOTTE D'EXTRACTION

Une hotte d'aspiration appropriée est nécessaire pour les modèles à barbecue et est recommandée pour tous les autres modèles.

Cet appareil produisant une importante quantité de chaleur, vous devez porter une attention toute particulière à l'installation de la hotte et de la conduite d'aération afin de vous assurer qu'elle répond aux normes de construction en vigueur dans votre région.

Il faut prévoir les dégagements ci-dessous par rapport aux surfaces horizontales qui se trouvent au-dessus de la cuisinière. Le non-respect de cette consigne pourrait présenter un risque d'incendie.

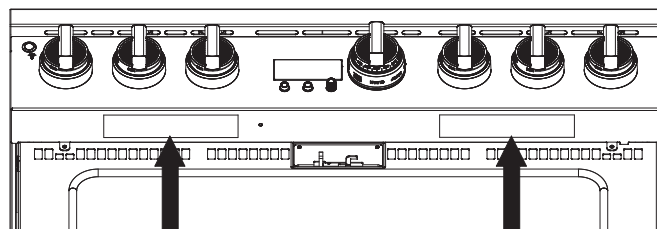
- Les installations sans hotte nécessitent une distance minimale de 48 po aux combustibles à l'exception du modèle ZDP486 qui nécessite une hotte à évacuation adéquate.
- Il est possible d'installer une hotte spéciale à proximité d'éléments horizontaux inflammables dans la mesure où celle-ci dispose d'une fonction de mise en marche automatique.
- Pour obtenir les spécifications relatives aux espaces d'autres installations pourvues d'une hotte, veuillez vous reporter aux instructions fournies avec celle-ci.

### ▲ ATTENTION

Ces cuisinières pèsent plus de 300 kg. Afin d'éviter tout risque de blessure ou d'endommagement de l'appareil et compte tenu du poids et de la taille de la cuisinière :

DEUX PERSONNES SONT NÉCESSAIRES POUR UNE INSTALLATION ADÉQUATE DES CUISINIÈRES 30" (76 cm) et 36" (91 cm).

TROIS PERSONNES SONT NÉCESSAIRES POUR UNE INSTALLATION ADÉQUATE DES CUISINIÈRES 48" (121 CM).



Emplacement de l'étiquette signalétique

Emplacement de l'étiquette signalétique

# LISEZ ET CONSERVEZ CES INSTRUCTIONS

# Table des Matières

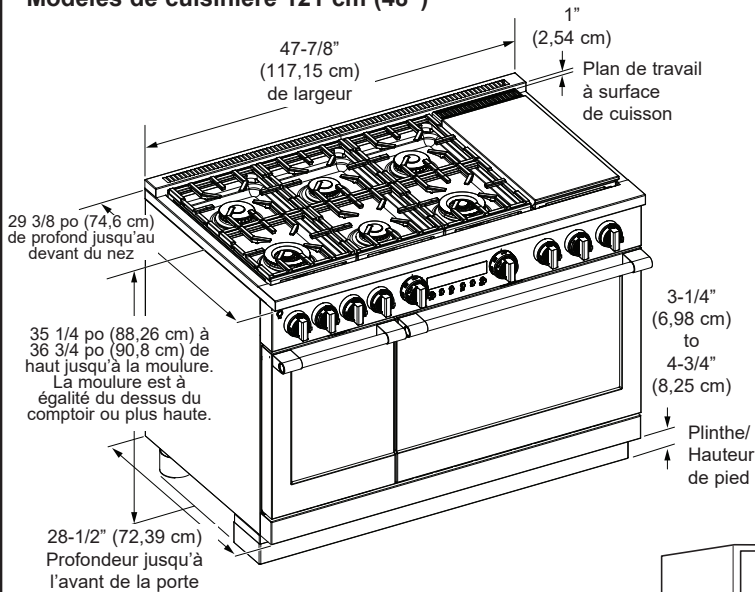
## TABLE DES MATIÈRES

<b>Consignes de Sécurité</b> .....	2	<b>Installation d'accessoires</b>	
<b>Caractéristiques</b>		Plinthe (incluse).....	18
Dimensions du Produit et Espaces de Séparation.....	5	<b>UX12BS36PSS, UX12BS48PSS Installation d'accessoires</b>	
<b>Consignes d'installation</b>		<b>Accessoires en Option—Dosseret de 30 Cm (12") de</b>	
Kit Haute Altitude WB28K10553 .....	9	<b>Hauteur</b>	
Matériel Fourni .....	9	Outils et Matériel Nécessaires .....	19
Matériel Nécessaire (non fourni).....	9	Installez le Dosseret 30 cm (12").....	19
Outils Nécessaires .....	9	<b>UXADBS36PSS, UXADBS48PSS Installation d'accessoires</b>	
<b>Installation</b>		<b>Accessoires—Dosseret Ajustable 30"-36" (non fourni)</b>	
Sortez L'appareil De Son Emballage .....	10	Outils et Matériel Nécessaires .....	20
Déplacez La Cuisinière À L'intérieur.....	11	Installez les Panneaux de Support Mural .....	20
Installez Le Support Anti-Basculement .....	12	Installez les Panneaux de Recouvrement.....	21
Conversion au gaz propane (GPL) ou reconversion			
au gaz naturel à partir du propane (GPL).....	13		
Alimentation en gaz.....	13		
Branchements Électriques .....	14		
Placez la Cuisinière Dans a Position Finale			
en la Faisant Rouler.....	15		
Ajustez Le Niveau de la Cuisinière .....	16		
Remplacez La(Les) Porte(S) du Four .....	16		
Vérifiez les Brûleurs .....	17		
Vérification des brûleurs de surface.....	17		
Terminez L'installation.....	17		
Une fois tous les raccordements terminés.....	17		

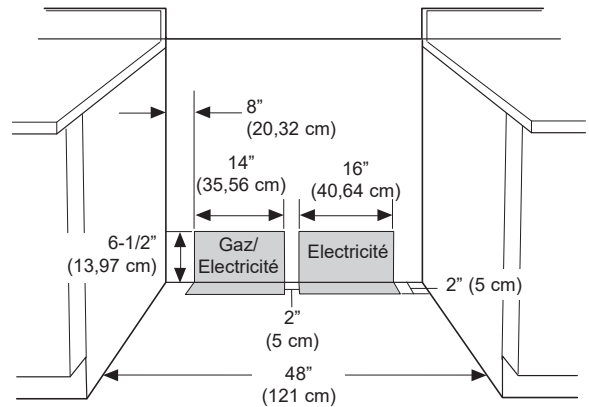
# Caractéristiques

## DIMENSIONS DU PRODUIT ET ESPACES DE SÉPARATION

### Modèles de cuisinière 121 cm (48")



Emplacements de raccord universels



### ⚠ AVERTISSEMENT

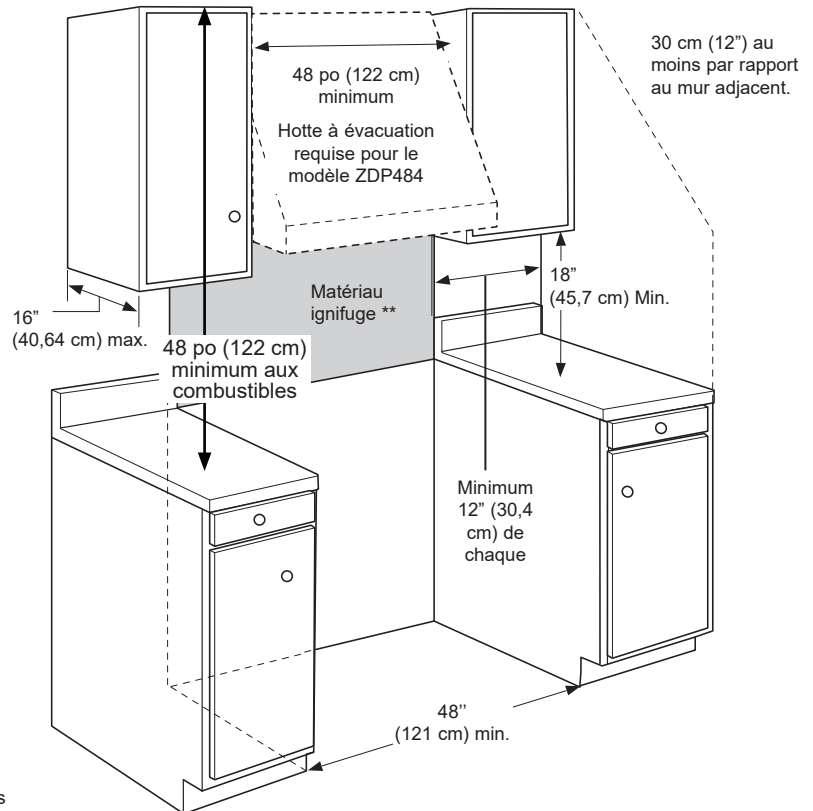
Une hotte à évacuation adéquate est requise pour le modèle ZDP484. Les installations sans hotte nécessitent une distance minimale de 48 po (122 cm) aux combustibles. Il est possible d'installer une hotte spéciale à proximité d'éléments horizontaux inflammables dans la mesure où celle-ci dispose d'une fonction de mise en marche automatique. Pour obtenir les spécifications d'espace pour d'autres installations pourvues d'une hotte, veuillez vous reporter aux instructions fournies avec celle-ci.

La surface de la totalité du mur arrière au-dessus de la cuisinière et au-dessous de la hotte doit être recouverte d'un matériau incombustible tel que métal, carreau de céramique, brique, marbre ou autre pierre.

### ⚠ ATTENTION

Afin d'éviter que les courants d'air ne gênent le fonctionnement du brûleur, scellez toutes les ouvertures dans le plancher sous l'appareil et derrière la paroi de celui-ci.

\*\* Selon la définition du National Fuel Gas Code (ANSI Z223.1/ CSA B149.1, édition courante). Les dégagements à partir des matériaux incombustibles ne sont pas du ressort de la norme ANSI Z21.1/CSA 1.1 et ils ne sont pas certifiés par la CSA. Les dégagements inférieurs à 30,5 cm (12 po) doivent être approuvés d'après les codes locaux et/ou par les autorités compétentes.

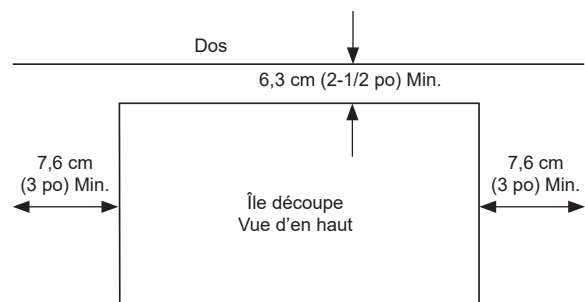


### ESPACES SUPPLÉMENTAIRES :

Prévoyez un espace minimum de 30 cm (12") par rapport au mur adjacent sur chaque côté.

Les espaces de transit autour de la table de cuisson doivent être séparés par un espace d'au moins 45,7 cm (18") entre le plan de travail et le bas du placard mural.

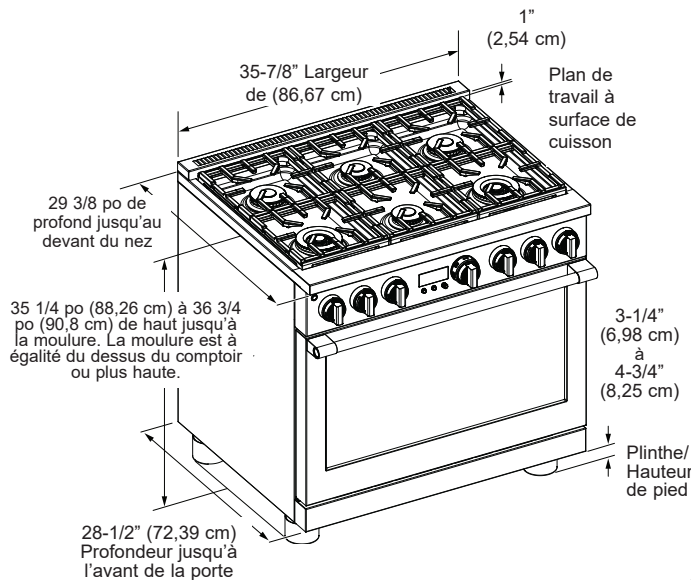
Pour une installation en îlot, maintenir une distance minimum de 6,3 cm (2 1/2 po) entre le bord et le dos du comptoir et 7,6 cm (3 po) minimum sur les côtés du comptoir (voir vue de dessus).



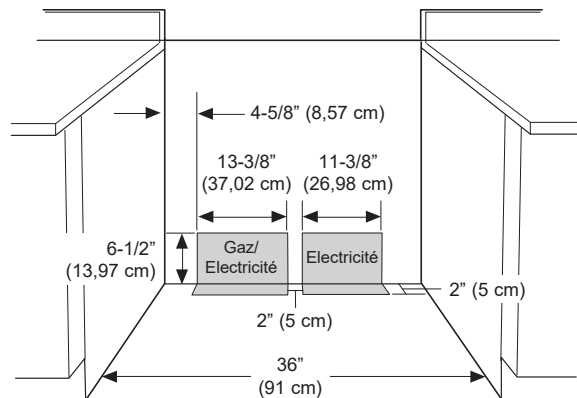
# Caractéristiques

## DIMENSIONS DU PRODUIT ET ESPACES DE SÉPARATION

### Modèles de cuisinière 91 cm (36")



### Emplacements de raccord universels



### ⚠ AVERTISSEMENT

Pour les installations dépourvues de hotte, prévoyez au minimum un espace de 48" (122 cm) entre l'appareil et toute matière inflammable. Il est possible d'installer une hotte spéciale à proximité d'éléments horizontaux inflammables dans la mesure où celle-ci dispose d'une fonction de mise en marche automatique. Pour obtenir les spécifications d'espace pour d'autres installations pourvues d'une hotte, veuillez vous reporter aux instructions fournies avec celle-ci.

La surface de la totalité du mur arrière au-dessus de la cuisinière et au-dessous de la hotte doit être recouverte d'un matériau incombustible tel que métal, carreau de céramique, brique, marbre ou autre pierre.

### ⚠ ATTENTION

Afin d'éviter que les courants d'air ne gênent le fonctionnement du brûleur, scellez toutes les ouvertures dans le plancher sous l'appareil et derrière la paroi de celui-ci.

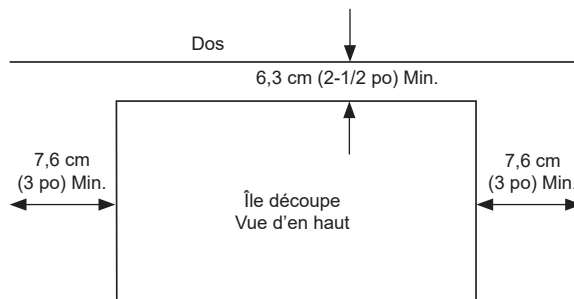
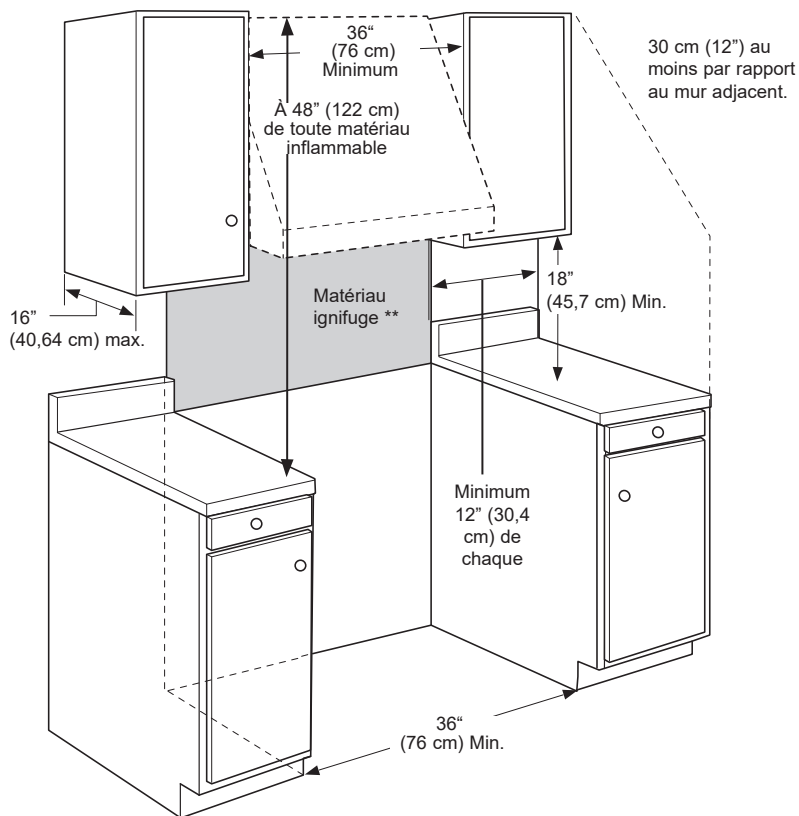
\*\* Selon la définition du National Fuel Gas Code (ANSI Z223.1/ CSA B149.1, édition courante). Les dégagements à partir des matériaux incombustibles ne sont pas du ressort de la norme ANSI Z21.1/CSA 1.1 et ils ne sont pas certifiés par la CSA. Les dégagements inférieurs à 30,5 cm (12 po) doivent être approuvés d'après les codes locaux et/ou par les autorités compétentes.

### ESPACES SUPPLÉMENTAIRES :

Prévoyez un espace minimum de 30 cm (12") par rapport au mur adjacent sur chaque côté.

Les espaces de transit autour de la table de cuisson doivent être séparés par un espace d'au moins 45,7 cm (18") entre le plan de travail et le bas du placard mural.

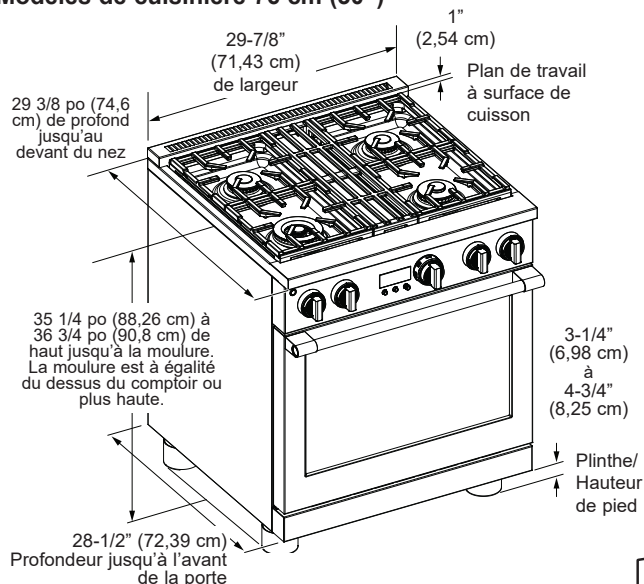
Pour une installation en îlot, maintenir une distance minimum de 6,3 cm (2 1/2 po) entre le bord et le dos du comptoir et 7,6 cm (3 po) minimum sur les côtés du comptoir (voir vue de dessus).



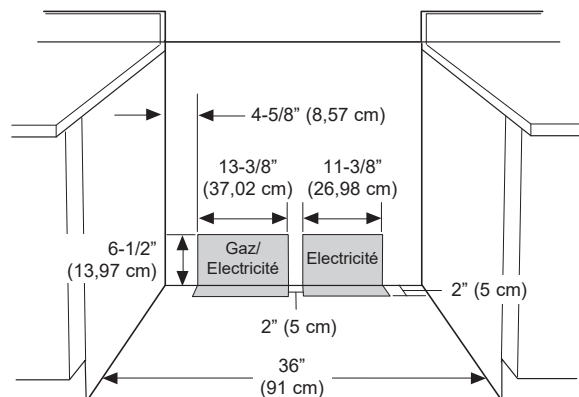
# Caractéristiques

## DIMENSIONS DU PRODUIT ET ESPACES DE SÉPARATION

### Modèles de cuisinière 76 cm (30")



### Emplacements de raccord universels



### ⚠ AVERTISSEMENT

Pour les installations dépourvues de hotte, prévoyez au minimum un espace de 48" (122 cm) entre l'appareil et toute matière inflammable. Il est possible d'installer une hotte spéciale à proximité d'éléments horizontaux inflammables dans la mesure où celle-ci dispose d'une fonction de mise en marche automatique. Pour obtenir les spécifications d'espace pour d'autres installations pourvues d'une hotte, veuillez vous reporter aux instructions fournies avec celle-ci.

La surface de la totalité du mur arrière au-dessus de la cuisinière et au-dessous de la hotte doit être recouverte d'un matériau incombustible tel que métal, carreau de céramique, brique, marbre ou autre pierre.

### ⚠ ATTENTION

Afin d'éviter que les courants d'air ne gênent le fonctionnement du brûleur, scellez toutes les ouvertures dans le plancher sous l'appareil et derrière la paroi de celui-ci.

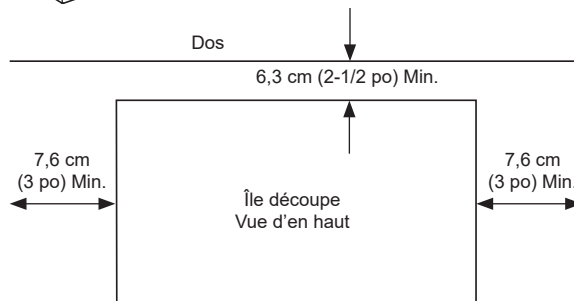
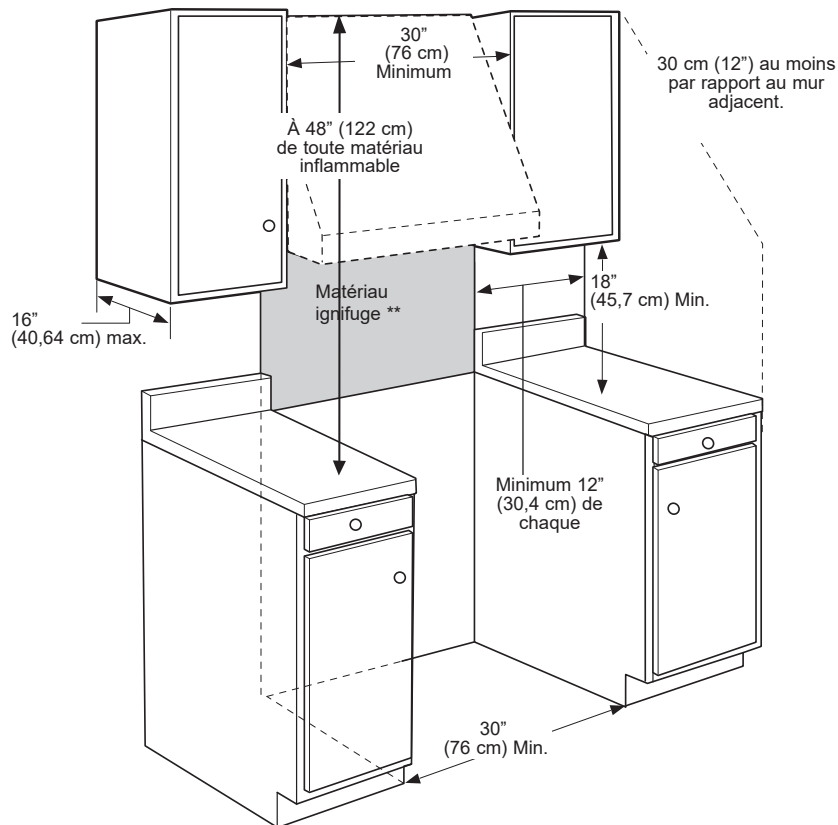
\*\* Selon la définition du National Fuel Gas Code (ANSI Z223.1/ CSA B149.1, édition courante). Les dégagements à partir des matériaux incombustibles ne sont pas du ressort de la norme ANSI Z21.1/CSA 1.1 et ils ne sont pas certifiés par la CSA. Les dégagements inférieurs à 30,5 cm (12 po) doivent être approuvés d'après les codes locaux et/ou par les autorités compétentes.

### ESPACES SUPPLÉMENTAIRES :

Prévoyez un espace minimum de 30 cm (12") par rapport au mur adjacent sur chaque côté.

Les espaces de transit autour de la table de cuisson doivent être séparés par un espace d'au moins 45,7 cm (18") entre le plan de travail et le bas du placard mural.

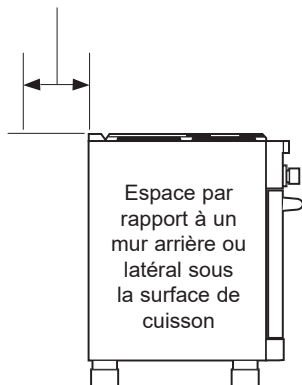
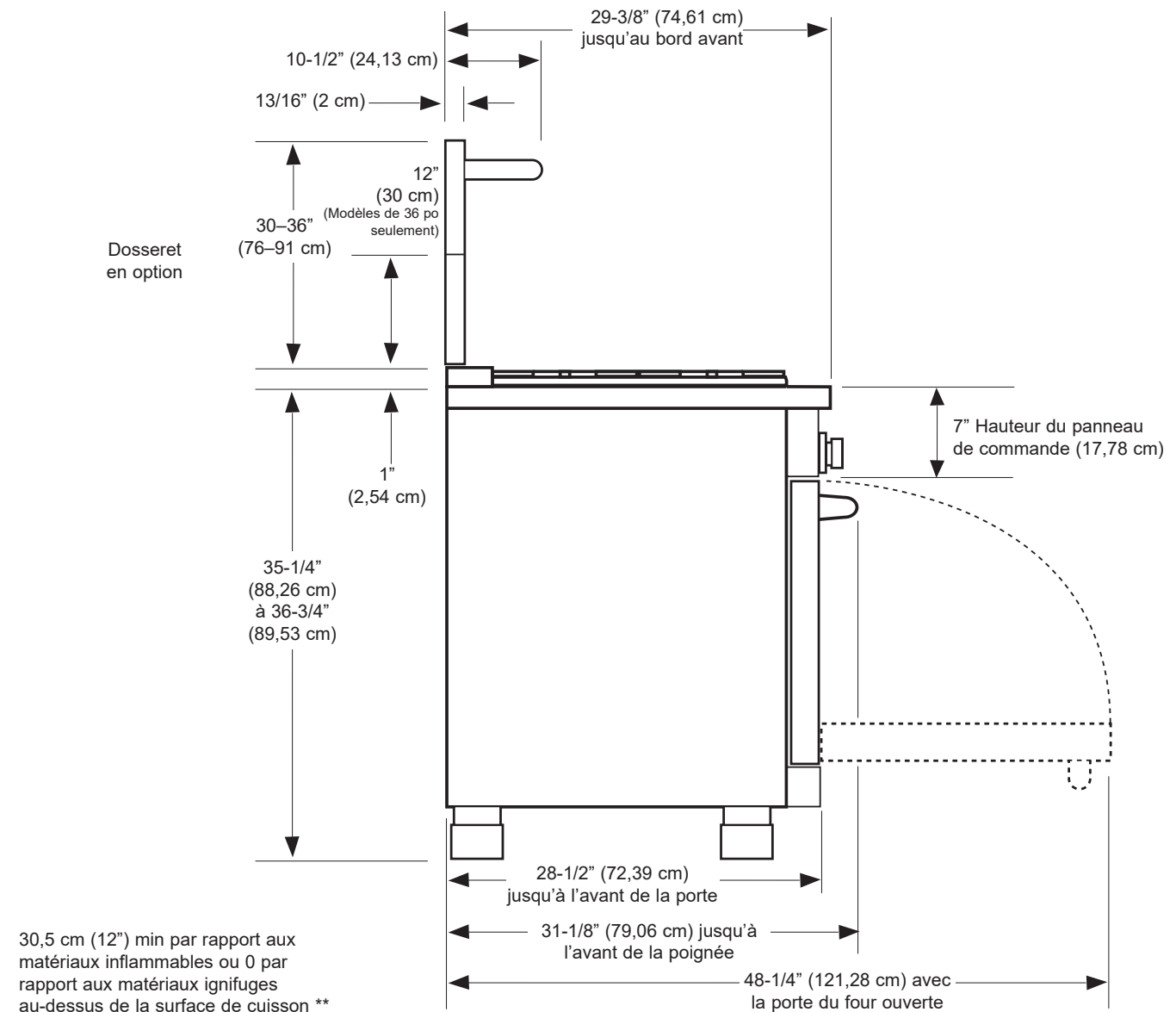
Pour une installation en îlot, maintenir une distance minimum de 6,3 cm (2 1/2 po) entre le bord et le dos du comptoir et 7,6 cm (3 po) minimum sur les côtés du comptoir (voir vue de dessus).



# Caractéristiques

## DIMENSIONS DE L'APPAREIL ET ESPACES

Modèles de cuisinière 76 cm (30"), 91 cm (36") et 121 cm (48")



\*\* Selon la définition du National Fuel Gas Code (ANSI Z223.1/CSA B149.1, édition courante). Les dégagements à partir des matériaux incombustibles ne sont pas du ressort de la norme ANSI Z21.1/CSA 1.1 et ils ne sont pas certifiés par la CSA. Les dégagements inférieurs à 30,5 cm (12 po) doivent être approuvés d'après les codes locaux et/ou par les autorités compétentes.

### ⚠ AVERTISSEMENT

Le un dosseret de 12" (30 cm) en acier inoxydable doit être installé avec un dosseret ignifuge personnalisé.

Le dosseret fini doit recouvrir la totalité du mur arrière jusqu'au bas de la hotte, ou en l'absence de hotte, 48" (121 cm) aux matériaux inflammables.

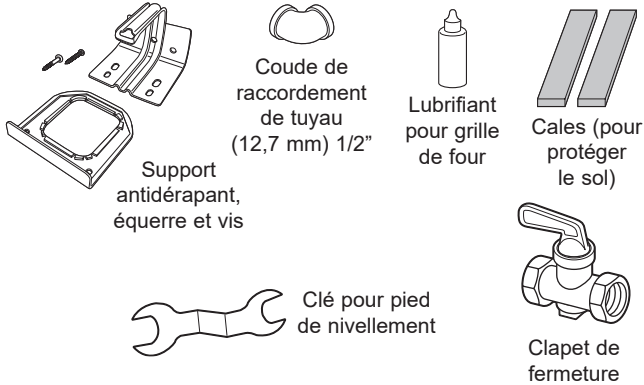
(Le dosseret en acier inoxydable de 12 po (30,5 cm) de haut n'est disponible que pour le modèle 36 po.)

# Consignes d'installation

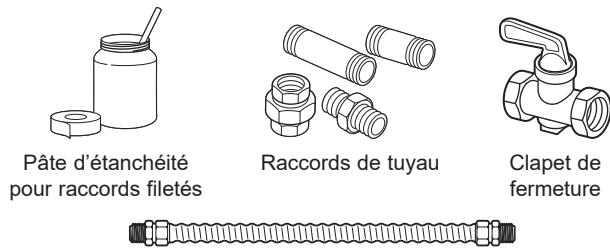
## INSTALLATION EN HAUTE ALTITUDE

Au-delà de 6000 pi (1830 m), un produit configuré pour le gaz naturel ou le propane nécessite l'installation d'une trousse (WB28X39726 pour le gaz naturel et WB28X39727 pour le propane). Suivez les instructions incluses dans la trousse.

## MATÉRIEL FOURNI



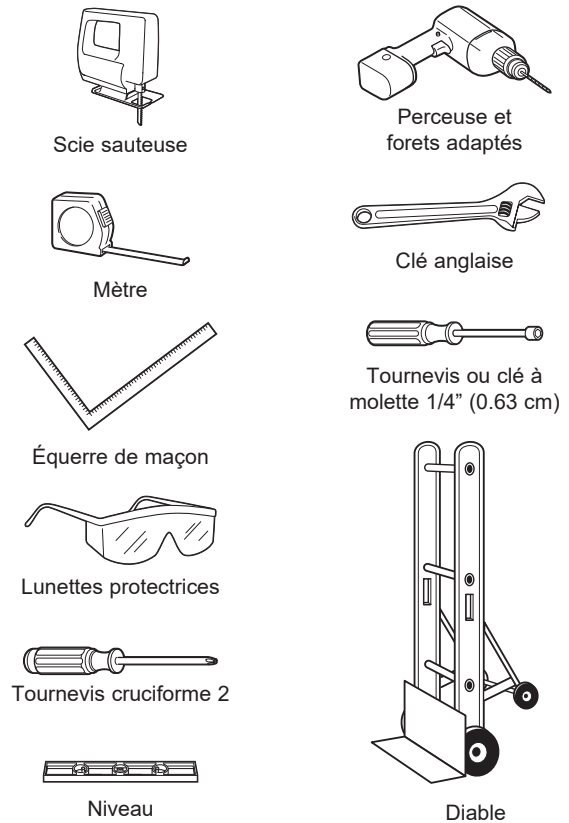
## MATÉRIEL NÉCESSAIRE (non fourni)



Tuyau métallique flexible d'alimentation de gaz agréé CSA de 1,58 cm de diamètre et d'une longueur maximale de 1,5 m (5 pieds)

**REMARQUE** : procurez-vous un tuyau flexible neuf, n'utilisez pas un tuyau ayant déjà été utilisé.

## OUTILS NÉCESSAIRES

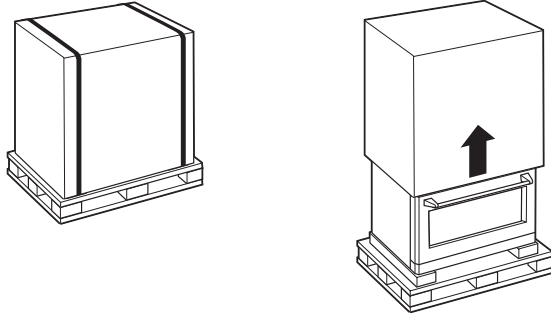




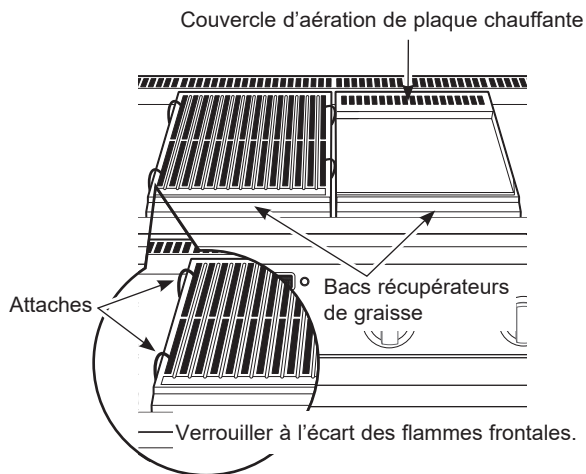
# Installation

## 1 SORTEZ L'APPAREIL DE SON EMBALLAGE

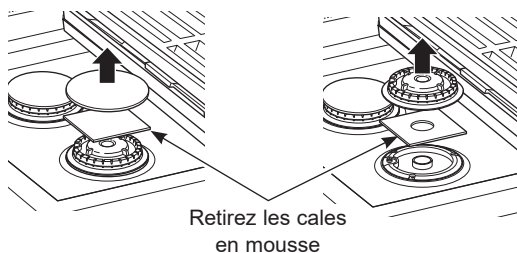
**ATTENTION** Maintenez-vous à l'écart. Les extrémités des bandes métalliques découpées peuvent vous blesser.



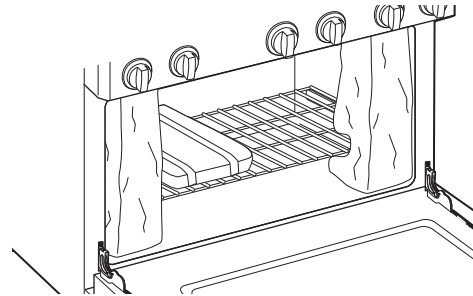
- Coupez les bandes métalliques. Soulevez le carton.
- Localisez les deux bandes du dessus de l'emballage. Ces bandes serviront à protéger le sol de la cuisine pendant l'installation.
- Retirez les montants d'angle. Jetez les matériaux d'emballage.
- Retirez les couvercles de la plaque chauffante/du grill, les grilles du grill et des brûleurs.
- Soulevez le couvercle en fonte de la plaque chauffante, les bacs récupérateurs de graisse et les cales.
- Coupez les attaches qui fixent la grille du grill au cadre du grill.



- Soulevez les chapeaux des brûleurs et retirez la cale en mousse, puis soulevez les têtes des brûleurs et retirez la cale en mousse.

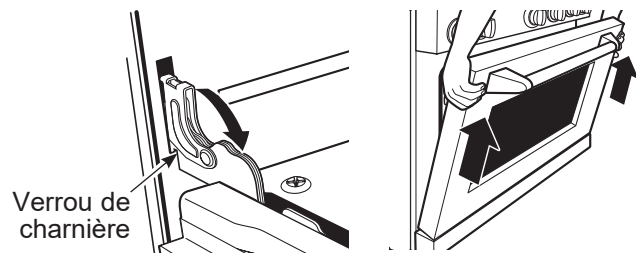


- Ouvrez la(les) porte(s) du four et retirez l'emballage. Retirez l'étagère qui supporte le plat de cuisson, le ruban, l'emballage, le lubrifiant pour étagère et la sonde.



**ATTENTION** Les portes et les voies de passage menant à l'emplacement d'installation requièrent un espace de (80 cm) 32". Si l'espace est inférieur à 80 cm, la (les) porte(s) du four et les boutons de commande doivent être retirés.

RETIREZ LA(LES) PORTE(S) DU FOUR QUE SI CELA S'AVÈRE NECESSAIRE pour déplacer la cuisinière sur les entrées de porte. Afin ne pas endommager les flancs de la cuisinière, il sera nécessaire de rembourrer les coins sous les bandes sur le diable.



### Pour retirer la(les) porte(s) :

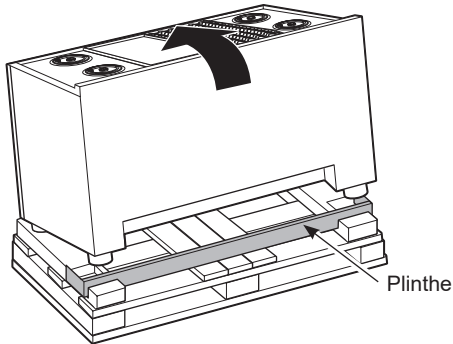
- Ouvrez la porte en grand.
- Chaque charnière est munie d'un verrou. Tirez la charnière.
- Tenez fermement la porte sur les côtés supérieurs.
- Fermez la porte en position quasi verticale.
- Soulevez la porte et tirez verticalement.



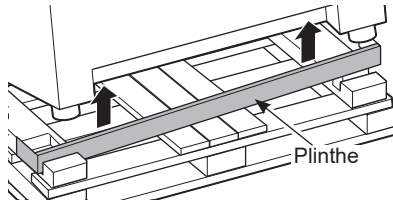
# Installation

## 2 DÉPLACEZ LA CUISINIÈRE À L'INTÉRIEUR

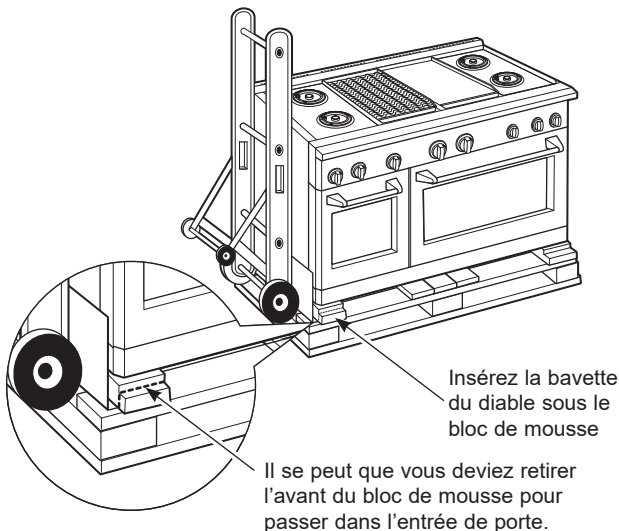
1. Inclinez la cuisinière vers l'avant sur le patin.



2. Soulevez la plinthe du socle en mousse.



3. Poussez la bavette du diable sous le bloc de mousse.

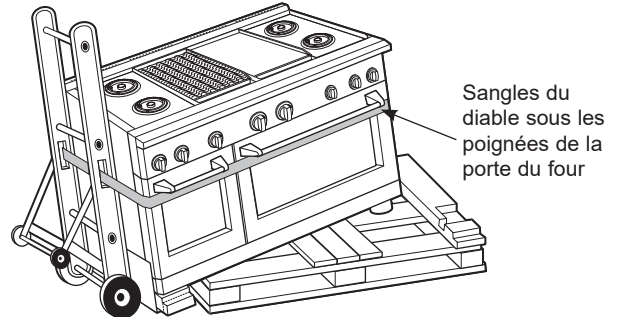


**IMPORTANT :** Ne retirez pas le bloc de mousse de base pendant l'utilisation du chariot manuel. Placez la lame du chariot sous le bloc de mousse puis transportez la cuisinière à sa destination finale.

4. Attachez les sangles du chariot de manutention autour de l'appareil.

**IMPORTANT :** Placez les sangles du diable sous les poignées de la porte du four. Pour éviter endommager les panneaux latéraux, placez un coussin entre le diable et la cuisinière.

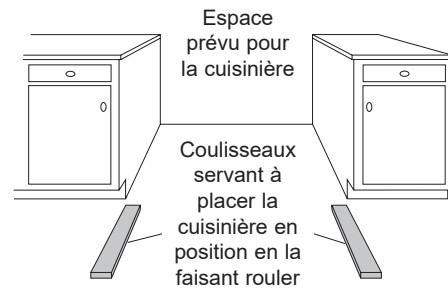
5. Inclinez la cuisinière pour abaisser les roulettes du diable hors du frein antidérapant.



6. Placez les coulisseaux de l'appareil sur le sol sur les côtés gauche et droite à l'avant de l'ouverture.

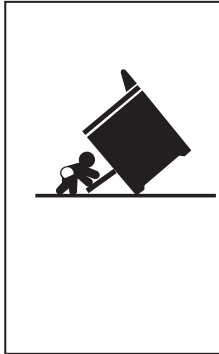
**IMPORTANT :** Les coulisseaux fournissent une surface pour faire rouler la cuisinière dans sa position finale et protéger la finition du sol. Retirez les coulisseaux avant d'ajuster le niveau de la cuisinière.

7. Déplacez la cuisinière. Posez la cuisinière en face de l'emplacement de l'installation, sur les guides.



# Installation

## 3 INSTALLEZ LE SUPPORT ANTI-BASCULEMENT



### ⚠ AVERTISSEMENT

#### Risque de basculement

- Un enfant ou un adulte peut faire basculer la cuisinière et ainsi perdre la vie.
- Posez la ferrure antibasculement sur le mur ou le plancher.
- Remettez la cuisinière en place en la glissant de façon que son pied s'insère dans la ferrure antibasculement.
- Insérez le pied de nouveau si vous déplacez la cuisinière.
- L'omission d'observer ces consignes peut occasionner la mort ou des brûlures graves aux enfants ou aux adultes.

Afin d'éviter que la cuisinière ne bascule, il est nécessaire de la fixer à l'aide d'un support anti-basculement. Reportez-vous aux consignes d'installation fournies avec le support pour en savoir plus avant de procéder à l'installation.

Afin de vérifier la bonne installation du support, regardez au-dessous de la cuisinière. Le support anti-basculement devrait être inséré dans l'ouverture de l'équerre anti-basculement sur la cuisinière. Si le bras du support manque l'équerre sur le côté droit au gauche, ou le bras du support ne dépasse pas à travers l'ouverture de l'équerre, réinstallez le support.

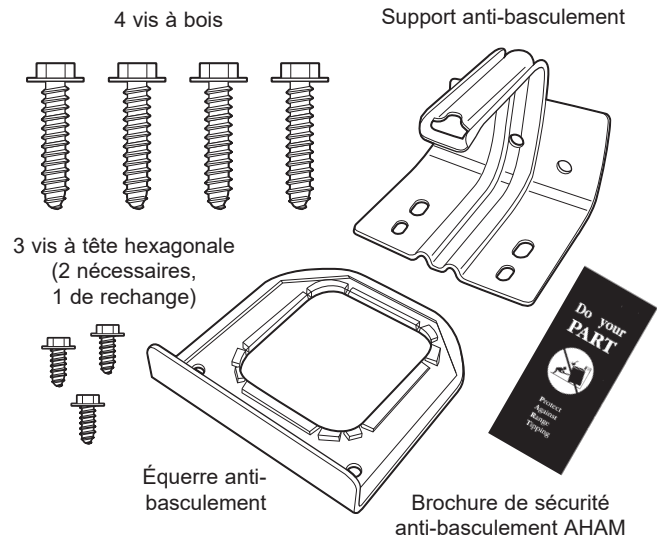
Si la cuisinière est tirée du mur, répétez cette procédure afin de vérifier si la cuisinière est correctement fixée par le support anti-basculement.

Si votre cuisinière ne dispose pas support anti-basculement, appelez le 1.800.626.8774 pour en recevoir un gratuitement.

Si le support anti-basculement fourni avec la cuisinière n'adapte pas dans cette application, utilisez le support anti-basculement universel WB2X7909.

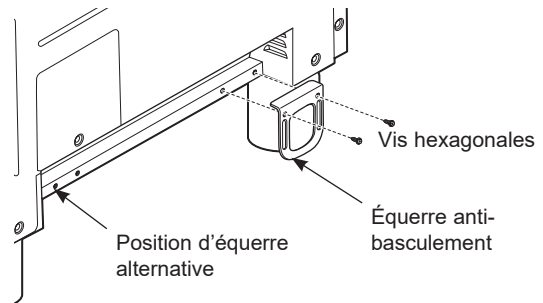
Veuillez lire la brochure de sécurité contre les basculements AHAM livrée avec le support.

#### Pièces du support anti-basculement fournies



- Fixez l'équerre anti-basculement au bas de la cuisinière dans l'espace en retrait. Installez 2 vis hexagonales (fournies) sur l'équerre et la cuisinière.

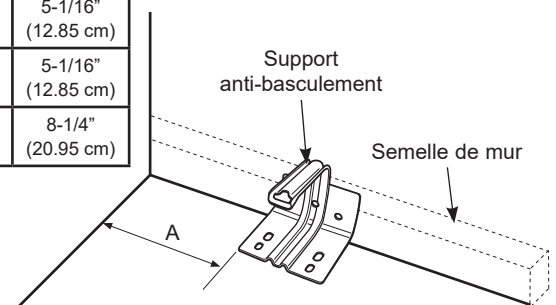
**REMARQUE :** Ce dispositif anti-basculement peut être installé sur le côté opposé de la cuisinière.



- Mesurez et marquez Dimensionnez A (voir le tableau ci-dessous) du côté gauche (ou droit) de l'emplacement d'installation, Si le plan de travail est doté d'un surplomb, ajoutez cette dimension à Dimensionnez A.
- Placez le support anti-basculement sur le sol et le mur arrière selon l'emplacement marqué. Marquez des repères pour les trous à vis pour la fixation du support sur la semelle du mur et le sol.
- Percez des trous repère de 31 mm (1/8") à un angle de 20°.
- Fixez le support sur le sol et/ou le mur à l'aide les 2 vis à bois (fournies).

**Pour les constructions en ciment ou béton :** Vous devez utiliser les éléments fixation appropriés (non fournis).

La Cuisinière	A
30" (76 cm)	5-1/16" (12.85 cm)
36" (91 cm)	5-1/16" (12.85 cm)
48" (121 cm)	8-1/4" (20.95 cm)

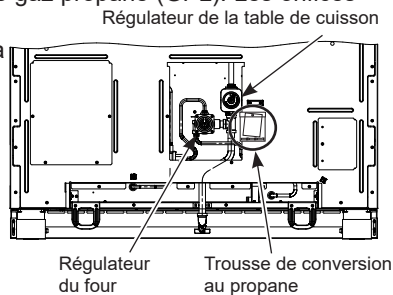


# Installation

## 4 CONVERSION AU GAZ PROPANE (GPL) OU RECONVERSION AU GAZ NATUREL À PARTIR DU PROPANE (GPL)

Cette cuisinière quitte l'usine avec une configuration pour le gaz naturel. Si vous souhaitez vous convertir au gaz propane (GPL), la conversion doit être réalisée par un installateur agréé pour le gaz propane (GPL). Les orifices et les instructions de conversion se trouvent à l'arrière de la cuisinière.

Conservez ces instructions et tous les orifices dans l'éventualité d'un retour au gaz naturel.



## 5 ALIMENTATION EN GAZ

### ⚠ AVERTISSEMENT

Risque d'incendie : N'utilisez pas une flamme pour détecter les fuites de gaz.

### ⚠ AVERTISSEMENT

Risque d'explosion : Le couple de serrage des raccords à la conduite de gaz ne doit pas excéder 25 lb-pi. Un serrage trop élevé peut endommager le régulateur de pression et poser un risque d'incendie ou d'explosion.

### Régulateur de pression du gaz

Vous devez utiliser le régulateur de pression fourni avec cette cuisinière. Pour un bon fonctionnement, la pression d'admission de gaz au régulateur doit présenter les valeurs suivantes :

#### Gaz naturel :

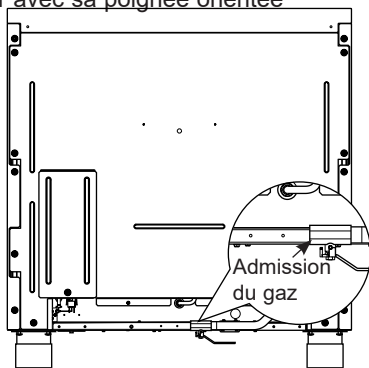
Pression minimale : 6 podes colonne d'eau  
Pression maximale : 13 podes colonne d'eau

#### Propane (LP) :

Pression minimale : 11 podes colonne d'eau  
Pression maximale : 13 podes colo3nne d'eau

Si vous doutez de connaître la pression d'admission de gaz, communiquez avec votre fournisseur de gaz local.

**REMARQUE :** Un robinet de sectionnement du gaz, livré avec cette cuisinière, doit être installée à l'arrière de la cuisinière près du plancher avec sa poignée orientée vers le bas. Ce clapet de fermeture est utilisé lorsqu'une réparation est requise. Pour atteindre ce clapet de fermeture, retirez la plinthe et passez le bras sous la cuisinière. Un coude de 1/2 po facultatif est fourni pour la connexion à l'orifice d'entrée du gaz de la cuisinière.



## 5 ALIMENTATION EN GAZ (suite)

Fermez le robinet d'alimentation en gaz principal avant de déconnecter l'ancienne cuisinière et ne rétablissez l'alimentation que lorsque le nouveau raccordement est terminé. N'oubliez pas de rallumer la veilleuse du nouveau dispositif lors du rétablissement du gaz.

Étant donné que la tuyauterie rigide restreint le mouvement de la cuisinière, l'utilisation d'un raccord métallique flexible certifié par CSA International est recommandé sauf si les codes locaux exigent un raccordement par tuyauterie rigide.

Si la méthode par tuyauterie rigide est utilisée, vous devez aligner minutieusement le tuyau car la cuisinière ne pourra pas être déplacée une fois le raccordement effectué.

Afin de prévenir les fuites de gaz, mettez de la pâte d'étanchéité pour joints filetés, ou du ruban pour filets de tuyau Teflon\*, sur tous les filets de tuyaux mâles (extérieurs).

- Installez un robinet de sectionnement manuel sur la conduite de gaz à un endroit facilement accessible à l'extérieur de la cuisinière. Assurez-vous que tous les usagers de la cuisinière sauront l'endroit où se trouve ce robinet et la façon de fermer l'alimentation de gaz à la cuisinière.
- Vissez un raccord union conique mâle de 1/2 posur le filet intérieur 1/2 po NPT de l'orifice d'admission du robinet de sectionnement de la cuisinière. Utilisez une deuxième clé de serrage sur le robinet de sectionnement pour prévenir les dommages.
- Vissez un raccord union mâle de 1/2 ou 3/4 posur le filet NPT intérieur du robinet de sectionnement du domicile, en veillant à immobiliser le robinet de sectionnement avec une clé pour l'empêcher de tourner.
- Posez le raccord métallique flexible pour électroménagers sur l'adaptateur de la cuisinière. Placez la cuisinière de façon à permettre le raccordement au robinet de sectionnement du domicile.
- Une fois tous les raccords effectués, assurez-vous que toutes les commandes de la cuisinière se trouvent à la position d'arrêt (OFF) et ouvrez le robinet d'alimentation en gaz principal. Utilisez un détecteur de fuites liquide à tous les raccords de gaz afin de détecter d'éventuelles fuites de gaz dans le système.

Si vous utilisez une pression supérieure à 1/2 psig pour l'essai de pression du système d'alimentation en gaz du domicile, déconnectez la cuisinière et le robinet de sectionnement individuel de la tuyauterie d'alimentation en gaz. Si vous utilisez une pression égale ou supérieure à 1/2 psig pour l'essai de pression du système d'alimentation en gaz, isolez simplement la cuisinière du système d'alimentation en gaz en fermant le robinet de sectionnement individuel.

Lors de la vérification du bon fonctionnement du régulateur, la pression d'admission doit être supérieure d'au moins 1 po par rapport à la pression de service (collecteur) indiquée sur l'étiquette signalétique du produit.

\*Teflon : Marque déposée de DuPont.

# Installation

## 6 BRANCHEMENTS ÉLECTRIQUES

**⚠ AVERTISSEMENT** Cet appareil doit être mis à la terre correctement.

**⚠ AVERTISSEMENT** Toutes nouvelles constructions, maisons mobiles, installations et tous véhicules récréatifs où les Codes locaux ne permettent pas une mise à la terre à partir d'un fil neutre exigent un cordon de cuisinière avec un fil électrique à 4 brins approuvé UL.

**⚠ AVERTISSEMENT** N'utilisez pas de rallonge avec cet appareil pour éviter un incendie et l'électrocution.

**⚠ AVERTISSEMENT** Pour éviter l'électrocution, retirez le porte-fusible ou le disjoncteur du circuit ouvert avant de commencer l'installation.

Nous recommandons que vous fassiez faire le câblage électrique et le raccordement de la cuisinière par un électricien qualifié. Après l'installation, demandez à l'électricien de vous montrer comment débrancher la cuisinière du circuit électrique.

Vous devez utiliser un système électrique monophasé, 120/208 VAC ou 120/240 VAC et de 60 hertz. Si vous effectuez le raccordement à un câblage en aluminium, installez correctement des connecteurs approuvés et conformes au câblage d'aluminium.

Depuis le 1er janvier 1996, le Code national de l'électricité exige que le raccordement d'une cuisinière électrique de chaque nouvelle construction (et non celles déjà existantes) soit effectué avec un fil électrique à 4 brins. Lors de l'installation d'une cuisinière électrique dans de nouvelles constructions, maisons mobiles, véhicules récréatifs et autres endroits où les Codes locaux ne permettent pas une mise à la terre à partir d'un fil neutre, consultez le chapitre concernant les raccordements d'un fil électrique à 4 brins au circuit.

Vérifiez auprès des autorités locales quels sont les Codes électriques en vigueur pour votre région. Tout câblage n'étant pas conforme aux règlements gouvernementaux représente une situation dangereuse. En l'absence de tels Codes pour votre région, la cuisinière doit être câblée et raccordée conformément au Code d'électricité national, la version récente de la norme 70 de la NFPA émise par la National Fire Protection Association.

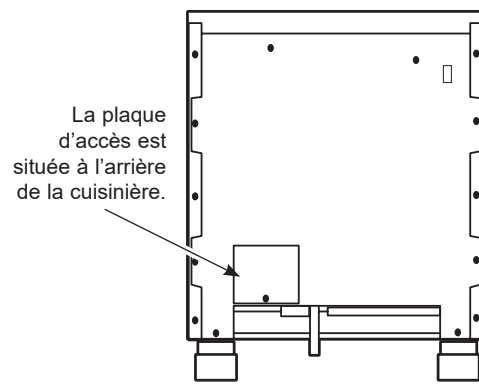
Cet appareil doit être alimenté par une tension et une fréquence adéquates et raccordé à un circuit individuel mis à la terre correctement (50 A pour les cuisinières de 121 cm [48 po], 30 A pour les cuisinières de 91 et 76 cm [36 et 30 po]) et protégé par un disjoncteur ou un fusible temporisé.

Utilisez uniquement un fil pour cuisinière à 3 ou 4 brins approuvé UL. Ces fils sont équipés de cosses à anneau et d'un protecteur de cordon.

## 6 BRANCHEMENTS ÉLECTRIQUES (suite)

Un fil de cuisinière doit obligatoirement posséder les caractéristiques nominales de 40 ampères et une tension minimum de 125/250 V. Un fil de cuisinière de 50 ampères n'est pas recommandé, mais s'il doit être utilisé, ce dernier doit être équipé d'orifices de raccordement de 35 mm (1 3/8 po) de diamètre. Il faut prendre soin de centrer le câble et le protecteur de cordon à l'intérieur du trou découpé pour éviter d'endommager le câble.

**REMARQUE :** L'utilisation d'interrupteurs externes automatiques, sans fil ou câblés pour mettre des appareils hors tension n'est pas recommandée avec cette cuisinière.



## 7 INSTALLATION DU CORDON D'ALIMENTATION 4 FILS

**REMARQUE :** Un cordon à 4 fils est branché à la cuisinière en usine. Suivez la procédure suivante pour modifier l'installation existante et passer du cordon 3 fils à un 4 fils.

**⚠ AVERTISSEMENT** Le fil neutre du circuit d'alimentation doit être branché à la borne neutre située au centre inférieur du bornier. Les câbles d'alimentation doivent être branchés aux bornes au bas à gauche et au bas à droite du bornier. Le quatrième fil de mise à la terre doit être branché au cadre de la cuisinière avec la prise de terre et la vis de mise à la terre.

- Retirez les 3 vis de la borne du bas du bornier. Retirez la vis de mise à la terre et la prise de terre et mettez-les de côté.
- Retirez le conducteur de terre.

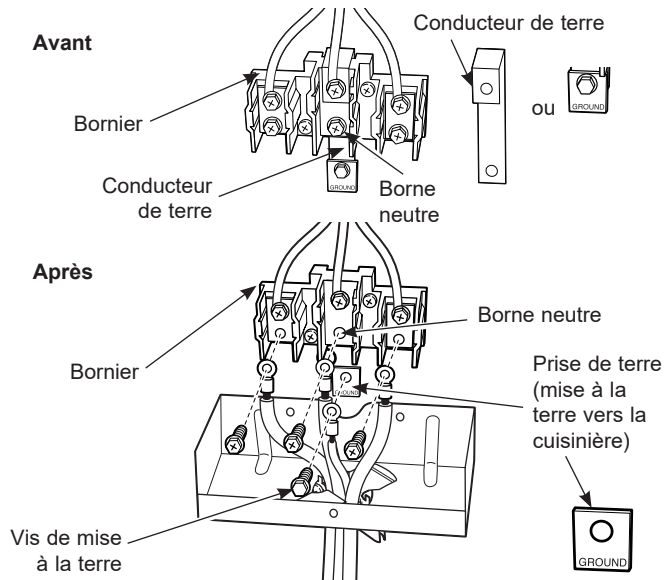
### NE JETEZ PAS LE CONDUCTEUR OU LES VIS DE TERRE.

- Introduisez une vis de terre dans l'anneau de la borne du fil de terre du cordon d'alimentation, via la prise de terre et dans le cadre de la cuisinière.

# Installation

## 7 INSTALLATION DU CORDON D'ALIMENTATION 4 FILS (suite)

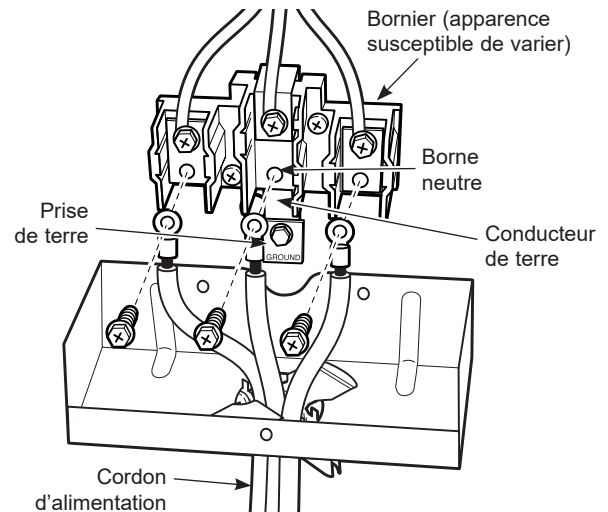
- Introduisez les 3 vis de la borne (retirées précédemment) via chaque anneau de borne du cordon d'alimentation et dans les bornes inférieures du bornier. Veillez à ce que le fil du centre (blanc/neutre) est branché à la position centrale inférieure du bornier. Serrez correctement les vis sur le bornier.



## 8 INSTALLATION DU CORDON D'ALIMENTATION 3 FILS (suite)

- Retirez les 3 vis de la borne inférieure du bornier. Introduisez les 3 vis de la borne (retirées précédemment) via chaque anneau de borne du cordon d'alimentation et dans les bornes inférieures du bornier. Veillez à ce que le fil du centre (blanc/neutre) est branché à la position centrale inférieure du bornier. Serrez correctement les vis sur le bornier.

**NE RETIREZ PAS LE BRANCHEMENT DU CONDUCTEUR DE TERRE.**



## 8 INSTALLATION DU CORDON D'ALIMENTATION 3 FILS

**REMARQUE :** Un cordon à 4 fils est branché à la cuisinière en usine. Suivez la procédure suivante pour modifier l'installation existante et passer du cordon à 3 fils.

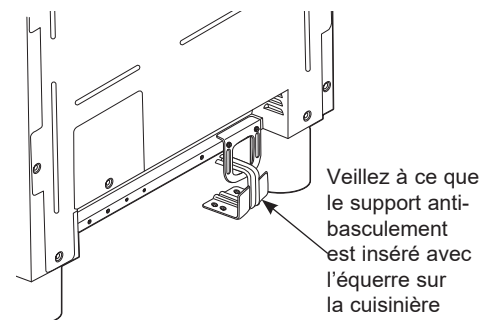
**⚠ AVERTISSEMENT** Le fil neutre ou de garde du cordon d'alimentation doit être branché à la borne neutre située au centre inférieure du bornier. Les câbles d'alimentation doivent être branchés aux bornes au bas à gauche et au bas à droite du bornier.

- Retirez le conducteur de terre (situé sur la droite du bornier) et branchez entre la partie centrale inférieure du bornier et le cadre de la cuisinière.

## 9 PLACEZ LA CUISINIÈRE DANS A POSITION FINALE EN LA FAISANT ROULER

**⚠ AVERTISSEMENT** Le support antibasculement doit être correctement installé pour éviter le basculement de la cuisinière, afin d'éviter des blessures graves ou des dommages matériels.

- Assurez-vous que les coulisseaux se trouvent sous les roulettes.
- La cuisinière est livrée avec les roulettes pliées. Faites rouler la cuisinière vers sa position finale, en prenant soin de ne pas coincer ou d'emmêler le cordon d'alimentation ou les tuyaux flexibles d'alimentation en gaz.
- Retirez les coulisseaux du dessous la cuisinière.





# Installation

## 10 AJUSTEZ LE NIVEAU DE LA CUISINIÈRE

### ⚠ AVERTISSEMENT

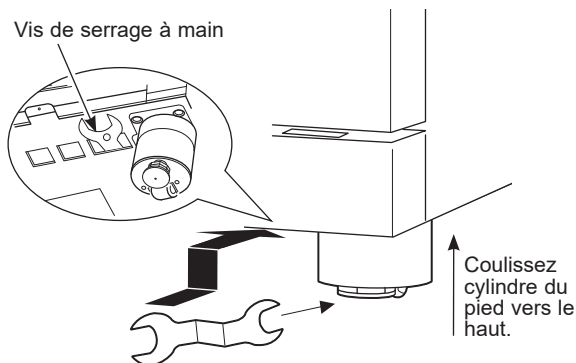
La cuisinière doit être à plat et reposer sur des pieds et non pas des roulettes. La cuisinière pourrait bouger si les roulettes touchent le sol. Veillez à ce que les pieds touchent le sol quelque soit l'installation.

- Tous les pieds doivent être à plat après installation de l'appareil.
- Veillez à ce que les placards/plans de travail situés à côté soient à plat, de haut en bas et de gauche à droite sur l'espace de la cuisinière.
- Mesurez la distance qui sépare le sol du haut du plan de travail au niveau des coins supérieurs droit et gauche.
- Réglez la hauteur de la cuisinière sur la hauteur du plan de travail ou plus haut.

**IMPORTANT :** Cette cuisinière doit toujours être installée à la hauteur du plan de travail ou plus haut. **N'INSTALLEZ PAS LA CUISINIÈRE PLUS BAS QUE LE PLAN DE TRAVAIL ADJACENT.** La cuisinière doit être posée sur 4 pieds, indépendamment de la hauteur du plan de travail.

### AJUSTEMENT DU PIED AVANT

- Un clé pour pied de support est fournie. Accédez au dessous de la cuisinière à proximité du pied droit. Localisez et retirez une vis de serrage à main, puis dégagez la clé de la rainure.
- Glissez les cylindres avant vers le haut pour accéder aux pieds de nivellement avant. Prenez soin de ne pas endommager le cylindre.



- Utilisez la clé fournie pour régler les pieds de nivellement avant. Tournez dans le sens des aiguilles pour allonger les pieds afin de soulever et stabiliser la cuisinière. Tournez dans le sens contraire des aiguilles pour rentrer les pieds et faire reposer la cuisinière sur ses roulettes.
- Veuillez ranger la clé dans son étui de rangement pour la réutiliser ultérieurement.

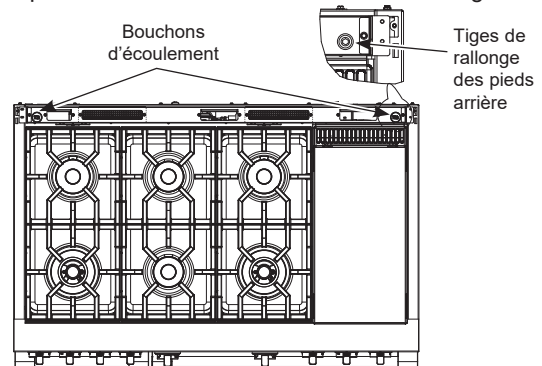
## 10 AJUSTEZ LE NIVEAU DE LA CUISINIÈRE (suite)

### AJUSTEMENT DU PIED ARRIÈRE

### ⚠ AVERTISSEMENT

Afin de réduire le risque d'incendie ou de choc électrique, remplacez toujours les bouchons d'écoulement dans les trous des tiges de rallonge.

- Retirez les deux vis de la plaque d'aération arrière. Faites coulisser la plaque d'aération vers l'avant, puis soulevez-la pour la retirer.
- Retirez les deux (2) bouchons d'écoulement pour repérer les tiges de rallonge des pattes arrière. Utilisez un tournevis ou une clé à douille ¼ po pour ajuster les pieds arrière gauche ou droit.
- Saisissez-vous des deux tiges de rallonge de pied. Utilisez un tournevis ou une clé 0,53 cm (1/4") pour ajuster les pieds arrière gauche et droit.
- Remplacez les deux (2) bouchons d'écoulement ainsi que la plaque d'aération arrière à l'aide des vis d'origine..



## 11 REMPLACEZ LA(LES) PORTE(S) DU FOUR

Passez à l'étape suivante si les portes du four sont installées.

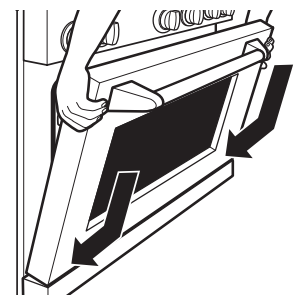
**IMPORTANT :** Ne soulevez pas la porte par la poignée.

**Pour remplacer les portes du four :**

- Tenez fermement la porte par le haut. C'est essentiel.
- Rapprochez la cuisinière avec la porte inclinée en position verticale.
- Coulissez les charnières dans les rainures.
- Poussez la porte pour ouvrir.
- Une fois en position, ouvrez la porte en grand. Rabattez ou déployez les verrous de charnière vers le cadre avant.

### ⚠ ATTENTION

Remplacez les portes du four avec précaution. Si le loquet de la charnière n'est pas correctement verrouillé, la charnière pourrait se rétracter et se détacher. Si la charnière se détache, vous devez appliquer une pression (avec votre pied) pour la plaquer et enclencher le loquet.





# Installation

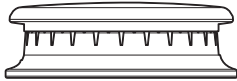
## 12 VÉRIFIEZ LES BRÛLEURS

### ⚠ AVERTISSEMENT

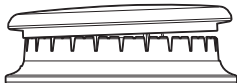
Risque d'incendie ou d'explosion :

Ne faites pas fonctionner le brûleur sans que toutes ses pièces ne soient en place.

- A. **Brûleur** - Placez les brûleurs de surface dans les positions correspondantes sur la table de cuisson.
- B. **Chapeaux** - Placez les chapeaux sur les brûleurs de taille appropriée.
- C. **Grilles** - Les grilles gauche et droite sont interchangeables. Placez les grilles sur la table de cuisson.



Chapeau de brûleur incorrectement installé



Chapeau de brûleur correctement installé

## 13 VÉRIFICATION DES BRÛLEURS DE SURFACE

Poussez et tournez un bouton jusqu'à la position LITE. Un clic indique le bon fonctionnement du système d'allumage. Lors de l'allumage d'un brûleur, des étincelles apparaîtront dans tous les brûleurs mais le gaz alimentera uniquement celui qui est sélectionné. Une fois l'air purgée de la conduite d'alimentation, le brûleur devrait s'allumer sous 4 secondes. Une fois le brûleur allumé, tournez le bouton à l'écart de la position LITE. Essayez chaque brûleur successivement jusqu'à ce que tous les brûleurs soient vérifiés.

### Qualité des flammes

Déterminez la qualité des flammes visuellement. Des flammes de brûleur normales devraient ressembler à (A) ou (B).



(A) **Flammes d'un bleu doux** —  
Normal pour le gaz naturel



(B) **Extrémités jaunes sur les cônes extérieurs** —  
Normal pour le propane (LP)

Des flammes longues d'un jaune vif ne sont pas normales. Des flammes normales peuvent présenter une touche d'orange lorsque bien chauffées ou des signes de vacillement orange causé par des particules dans le gaz ou l'air.

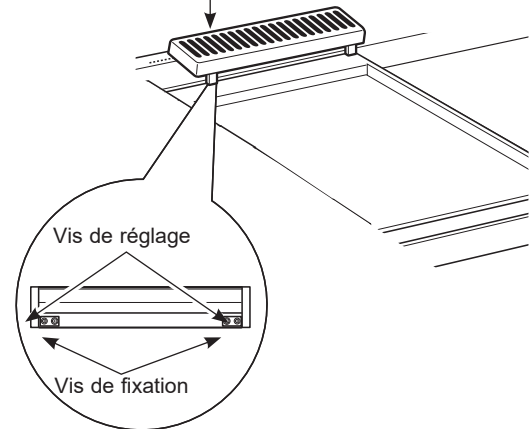
## TERMINEZ L'INSTALLATION

Placez les grilles des brûleurs sur les brûleurs. Les grilles doivent être posées et ne devraient pas bouger.

La plaque chauffante est fixée à l'aide de vis. Elle a été conçue pour être statique et elle ne doit pas être retirée.

La plaque chauffante est dotée de deux vis de réglage sous le couvercle d'aération arrière que vous pouvez utiliser pour ajuster l'inclinaison de votre choix.

Couvercle d'aération de la plaque chauffante



Les deux vis intérieures sont des vis de fixation qui maintiennent la plaque en place. Desserrez les deux vis avant de régler. Ne retirez pas ces deux vis.

Les deux vis externes sont des vis de réglage. Ne retirez pas ces deux vis. Elles peuvent être vissées pour régler le niveau de la plaque chauffante ou pour créer une inclinaison vers l'avant permettant d'évacuer la graisse et l'huile des aliments cuisinés.

Après avoir réglé le niveau de la plaque chauffante, serrez les deux vis de fixation à la main, en prenant soin de ne pas trop serrer.

## UNE FOIS TOUS LES RACCORDEMENTS TERMINÉS

Assurez-vous que toutes les commandes sont dans la position d'arrêt (OFF). Assurez-vous que la circulation de l'air de combustion et de ventilation de la cuisinière n'est pas obstruée.

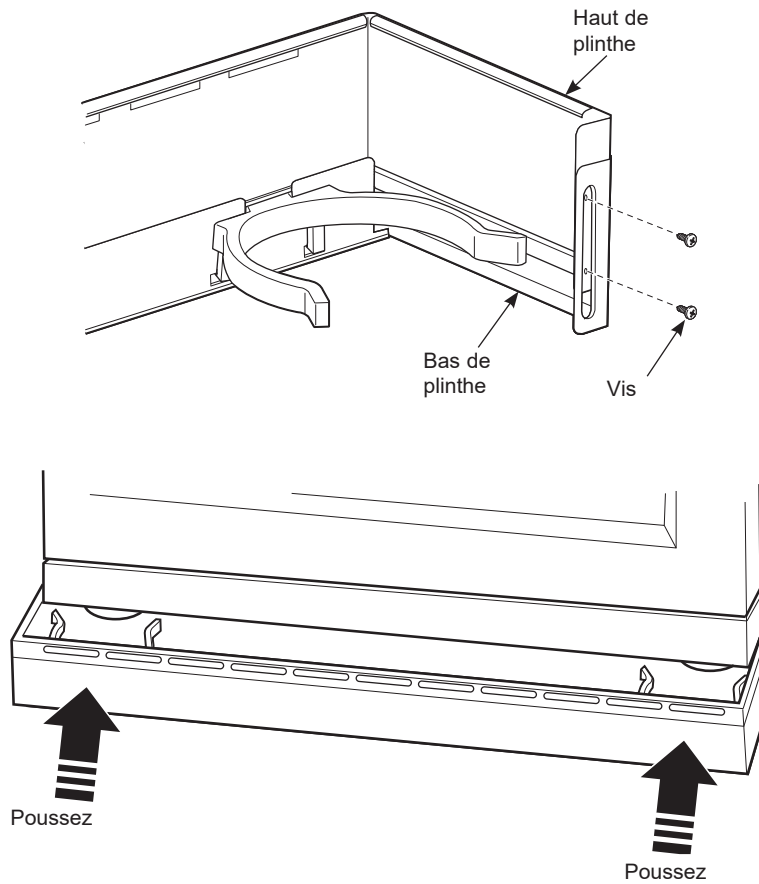
Vérifiez que tout le matériel et le ruban d'emballage a été retiré. Cela inclut le ruban sur le panneau métallique en dessous des boutons de commande (s'il y a lieu), le ruban adhésif, les attaches de câble, le carton et le plastique de protection. L'omission de retirer ce matériel posera un risque d'endommagement lorsque les surfaces de cet électroménager deviendront chaudes suite à sa mise en service.

# Installation d'accessoires

## PLINTHE (incluse)

- Installez la plinthe après avoir ajusté la position de la cuisinière.
- Mesurez la distance entre le sol et le bas de la cuisinière.
- Desserrez les deux vis sur chaque extrémité. Ajustez la hauteur de la plinthe en faisant coulisser les pièces supérieur et inférieur 1/8" de moins que la hauteur mesurée.
- Fixez les parties inférieure et supérieure en serrant les 2 vis sur chaque extrémité.
- Plaquez la plinthe contre le pied de la cuisinière jusqu'à ce que le clip s'encastre dans les pieds.

**REMARQUE :** Veillez à ce que la plinthe s'emboîte correctement dans le pied.



# UX12BS36PSS, UX12BS48PSS Installation d'accessoires

## ACCESSOIRES EN OPTION—DOSSERET DE 30 CM (12") DE HAUTEUR

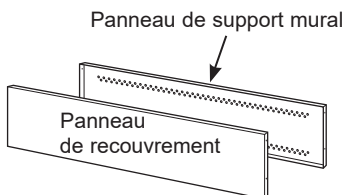
Ce kit permet l'installation d'un dossier de 12 po de hauteur pour les cuisinières et dessus de cuisinières professionnels de 36 po.

### OUTILS ET MATÉRIEL NÉCESSAIRES

- Gants pour vous protéger des parties tranchantes
- Tournevis cruciforme 2 et T-15
- Percez avec des forets 23 mm (3/32") et 35 mm (9/64")
- Lunettes protectrices
- Niveau
- Crayon

#### Ce Kit comprend

- Panneau de support mural
- Panneau recouvrant
- Sachet de matériel contenant
  - 5 vis en acier inoxydable Torx 15 #8 auto-taraudeuses
  - 5 vis à bois à tête cylindrique #10 Phillips #2

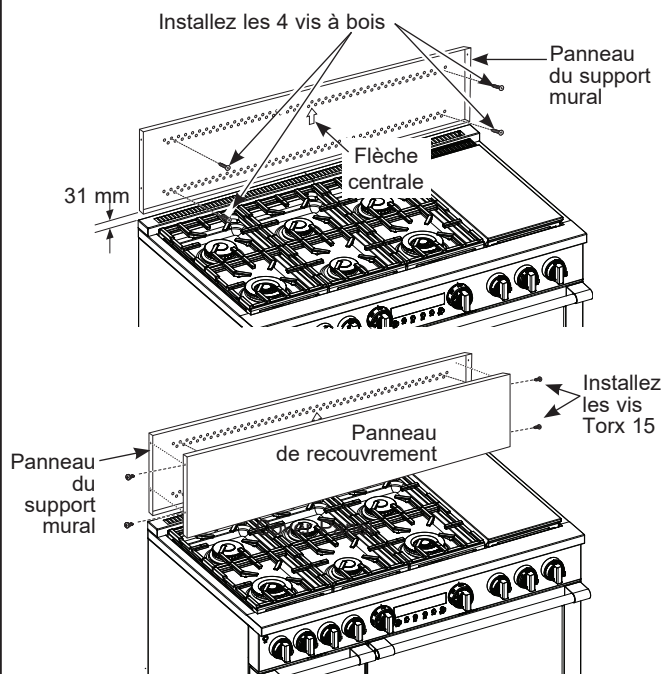


### INSTALLEZ LE DOSSERET 30 CM (12")

#### ⚠ AVERTISSEMENT

Ce dossier doit être correctement fixé au mur afin d'éviter toute blessure ou dommage matériel.

- Installez et ajustez la position de la cuisinière ou de la table de cuisson et de la hotte de la cuisinière, conformément aux consignes d'installation.
- Sortez le dossier de son emballage et le film protecteur.
- Utilisez un niveau pour dessiner au crayon une ligne horizontale sur le mur, 1/8" au-dessus de la cuisinière ou de la table de cuisson. L'espace de 1/8" fait que le panneau recouvrant se superpose au panneau de support mural.
- Localisez les poteaux muraux sur chaque côté. En l'absence de poteaux, utilisez plutôt des chevilles murales (non fournies).
- Alignez le panneau de support mural sur la ligne horizontale dessinée et centrée de gauche à droite.
- Le panneau de support mural doit être fixé au mur aux 4 coins. Utilisez des vis à bois (fournies) ou des chevilles murales (non fournies) pour fixer le panneau de support au mur.
- Placez le panneau de recouvrement sur le panneau du support mural et fixez à l'aide de vis Torx (fournies). Installez 2 vis de chaque côté.



# UXADBS36PSS, UXADBS48PSS Installation d'accessoires

## ACCESSOIRES—DOSSERET AJUSTABLE 30"-36" (non fourni)

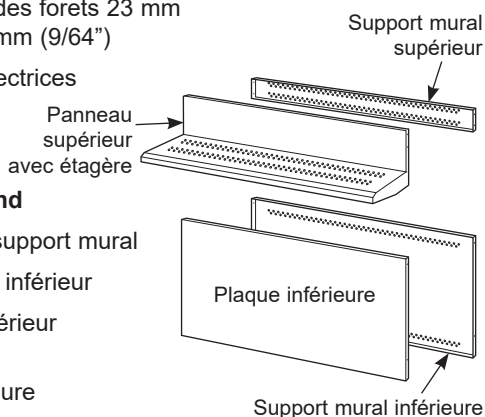
- Ce dossier est conçu combler l'espace entre le haut de la cuisinière et le bas de la hotte, entre une hauteur maximale de 76 cm et 91 cm.
- Le poids maximal de portance de l'étagère est de 18 kg.

### OUTILS ET MATÉRIEL NÉCESSAIRES

- Gants pour vous protéger des parties tranchantes
- Tournevis cruciforme 2 et T-15
- Percez avec des forets 23 mm (3/32") et 35 mm (9/64")
- Lunettes protectrices
- Niveau
- Crayon

#### Ce Kit comprend

- Panneau de support mural
- Panneau mur inférieur
- Panneau supérieur avec étagère
- Plaque inférieure
- Sachet de matériel contenant
  - 9 vis autotaraudeuses à 6 lobes internes en acier inoxydable 15, no 8
  - 9 vis à tête cylindrique bombée no 2 pour bois no 10
  - 3 vis à tête bombée no 2 en acier inoxydable no 10 (pour une méthode d'installation alternative)



### INSTALLEZ LES PANNEAUX DE SUPPORT MURAL

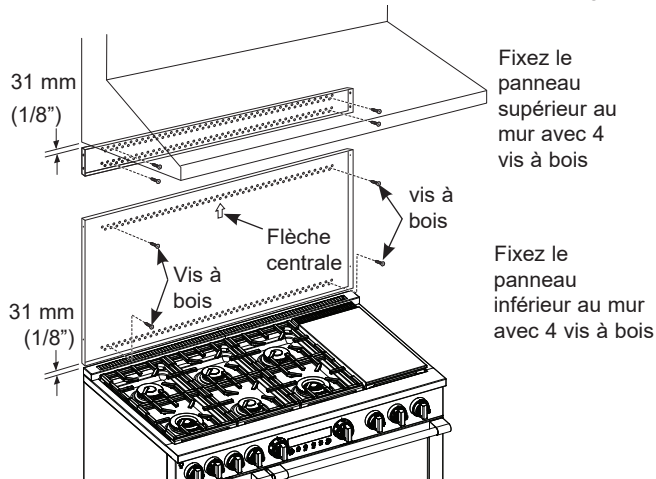
#### ⚠ AVERTISSEMENT

Les panneaux de support mural doivent être correctement fixés au mur afin d'éviter toute blessure ou dommage matériel.

**IMPORTANT :** Ce dossier est conçu pour couvrir le mur entre la partie supérieure de la cuisinière et la partie inférieure de la hotte. La hotte d'extraction doit être installée sur la table de cuisson ou de la cuisinière avant d'installer le dossier.

- Installez et ajustez la position de la table de cuisson/cuisinière conformément aux consignes d'installation.
- Retirez l'emballage du dossier et le film protecteur.
- Localisez les poteaux muraux sur chaque côté. En l'absence de poteaux, utilisez plutôt des chevilles murales (non fournies).
- Utilisez un niveau pour tracer au crayon 2 lignes horizontales sur le mur, une à 1/8" sous la hotte d'extraction et l'autre à 1/8" au-dessus de la table de cuisson/cuisinière. Cet espace de 1/8" fait que le panneau de recouvrement se superpose aux supports muraux.
- Fixez le panneau mural supérieur au mur à l'aide de 4 vis à bois, à travers les poteaux externes.
- Utilisez 4 vis à bois pour fixer support mural inférieur. La rainure centrale doit être placée en haut.

L'espace séparant le panneau de support du bas de celui du haut sera comblé par la plaque supérieure avec étagère.



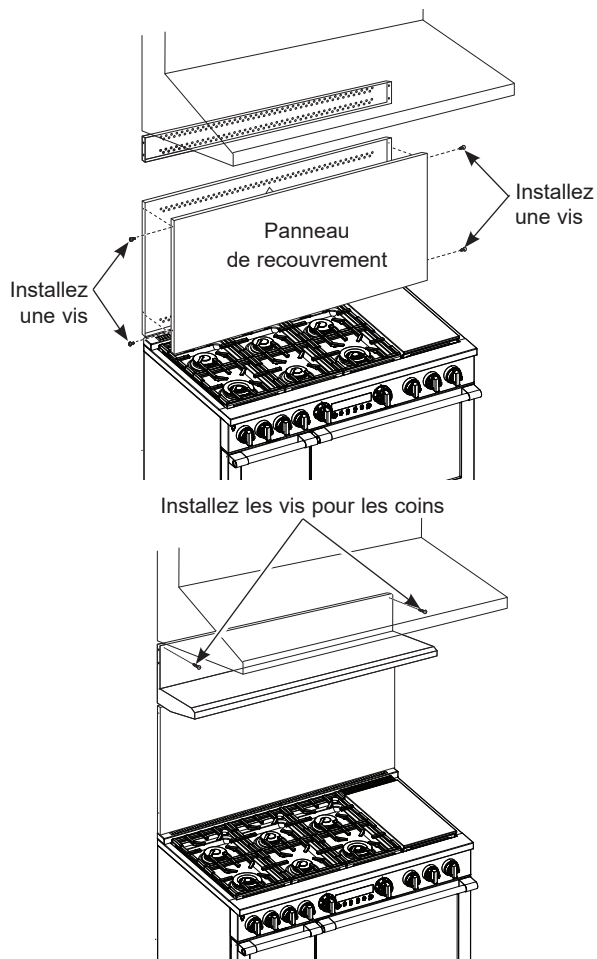
# UXADBS36PSS, UXADBS48PSS Installation d'accessoires

## ACCESSOIRES—DOSSERET AJUSTABLE 30"-36" (non fourni) (suite)

### INSTALLEZ LES PANNEAUX DE RECOUVREMENT

Optez pour la méthode alternative si l'accès latéral est bloqué.

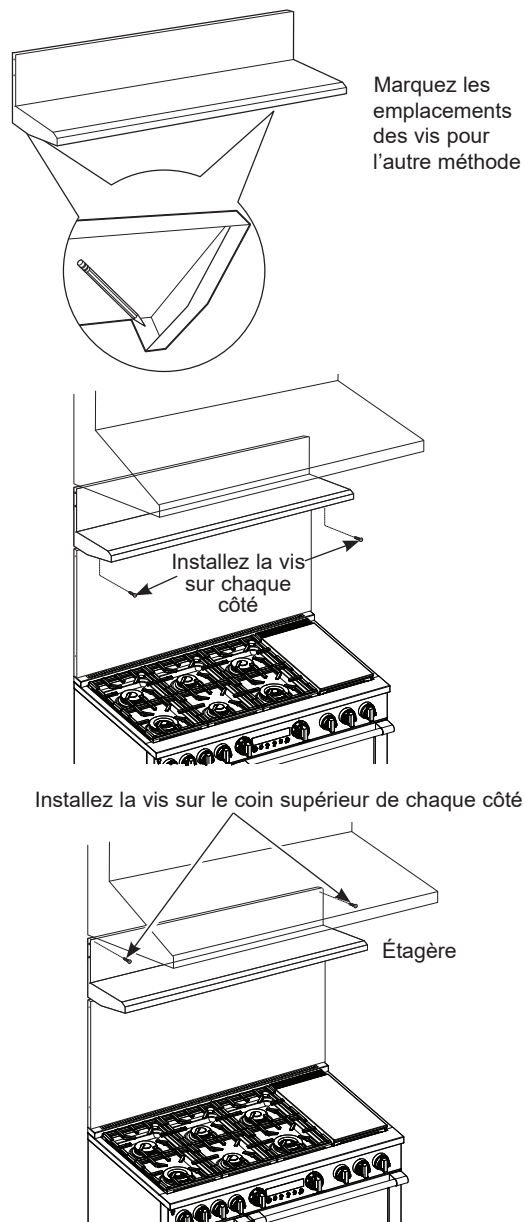
- Maintenez la plaque inférieure sur le support tout en vissant une vis (fournie) de chaque côté.
- Placez la plaque supérieure avec l'étagère en place sur le support mural supérieur. Si vous pouvez accéder aux deux côtés, fixez le panneau avec deux vis sur chaque côté.
- Fixez la plaque supérieure avec l'étagère sur le support supérieur et fixez la plaque à l'aide de vis sur l'avant du panneau, sur les coins supérieurs. Utilisez une vis par côté.



### INSTALLEZ LES PANNEAUX DE RECOUVREMENT (suite)

#### MÉTHODE ALTERNATIVE : En cas d'obstruction de l'accès latéral

- Installez la plaque inférieure sur le support inférieur tout en vissant une vis de chaque côté.
- Maintenez la plaque supérieure en place tout en marquant les emplacements des vis, juste en dessous de l'étagère de support et sur la plaque inférieure.
- Retirez l'étagère et percez un trou de 0,35 cm (9/64") de diamètre dans les emplacements tracés au crayon.
- Montez la plaque supérieure sur le support supérieur et fixez la plaque à l'aide de vis dans les trous percés sur chaque côté.
- Installez les vis à travers chaque coin supérieur.



# Notes

---

# Notes

---



**REMARQUE** : Il est recommandé de porter des lunettes de sécurité ou des lunettes étanches lors de l'installation de cet appareil.

**REMARQUE** : Au sein de GE Appliances, nous nous efforçons toujours d'améliorer nos produits. Ainsi, les matériaux, l'aspect et les spécifications peuvent être modifiés sans préavis.



# INSTRUCCIONE DE INSTALACIÓN

**Cocinas Profesionales con Dos Tipos de Combustibles  
de 30", 36" y 48"**

ESPAÑOL.

MONOGRAM.COM

# Información de Seguridad

¿Desea realizar una consulta o necesita ayuda con su electrodoméstico? ¡Intente a través del sitio Web de Monogram las 24 horas del día, cualquier día del año! También puede comprar más grandiosos productos de Monogram y sacar ventaja de todos nuestros servicios de soporte a través de Internet, diseñados para su conveniencia. En EE.UU.: [monogram.com](http://monogram.com).

## EN EL COMMONWEALTH DE MASSACHUSETTS

- Este producto debe ser instalado por un plomero licenciado o un mecánico gasista.
- Al usar un conector de gas flexible no deberá exceder los 5 pies.
- Al usar válvulas de cierre de gas tipo balón, deberán ser del tipo de manija T.

## ⚠ ADVERTENCIA RIESGO DE INCENDIO O EXPLOSIÓN

Si la información de este manual no se sigue exactamente, se podrá producir un incendio o explosión, ocasionando daños sobre la propiedad, lesiones o la muerte.

La instalación deberán ser realizadas por un instalador calificado.

Lea estas instrucciones en su totalidad y atentamente.

Esta cocina se deberá instalar de acuerdo con los códigos locales, o en la ausencia de códigos locales, con el Código de Gas Combustible Nacional, ANSI Z223.1/NFPA.54, última edición. En Canadá, la instalación deberá ser conforme con el Código de Instalación de Gas Natural actual, CAN/CGA-B149.1 o el Código de Instalación de Propano actual, CAN/CGA-B149.2, y con los códigos locales cuando corresponda. Esta cocina fue diseñada y certificada por CSA International, de acuerdo con ANSI Z21.1, última edición y con la Canadian Gas Association (Asociación de Gas de Canadá) CAN/CGA-1.1 última edición.

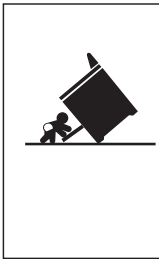
Al instalar un electrodoméstico a gas, el uso de conectores flexibles viejos puede ocasionar pérdidas y lesiones personales. Siempre use un conector flexible NUEVO.

La prueba de goteras del electrodoméstico se deberá realizar de acuerdo con las instrucciones del fabricante.

La cocina deberá estar correctamente conectada a tierra de acuerdo con los códigos y ordenanzas locales o, en ausencia de códigos locales, de acuerdo con el Código Nacional de Electricidad (National Electric Code), (ANSI/NFPA NO. 70., última edición). En Canadá, la conexión a tierra se deberá realizar de acuerdo con la Parte 1 del Código de Electricidad de Canadá CSA C22.1 y/o los códigos locales. En esta sección, consulte las Conexiones Eléctricas

No instale este producto con una campana con cortina de aire u otra campana de cocina que funcione llevando aire a la placa de cocción. El flujo de aire podrá interferir en el funcionamiento de los quemadores de gas, produciendo riesgos de incendio o explosión.

## PARA SU SEGURIDAD

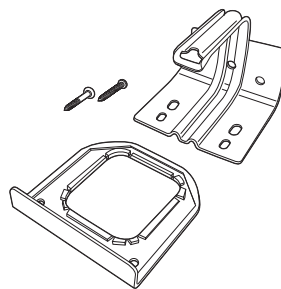


### ⚠ ADVERTENCIA

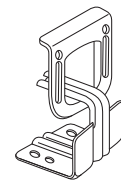
#### Riesgo de Caída

- Un niño o adulto pueden volcar la cocina y morir.
- Instale el soporte anti-volcaduras sobre la pared o el piso.
- Asegúrese la estufa al soporte anti-volcaduras deslizando la unidad hacia atrás de tal manera que la pata niveladora sea enganchada.
- Vuelva a adherir el soporte anti-volcaduras si la estufa se mueve de lugar.
- Si esto no se hace, se podrá producir la muerte o quemaduras graves en niños o adultos.

Si no recibió un soporte anti volcaduras con su compra, llame al 1.800.626.8774 para recibir uno sin costo. (En Canadá, llame al 1.800.561.3344). Para recibir instrucciones de instalación del soporte, visite: [GEAppliances.com](http://GEAppliances.com) (En Canadá, [GEAppliances.ca](http://GEAppliances.ca)).



Kit de soporte anti-volcaduras incluido



Vista Trasera

### ⚠ ADVERTENCIA

Antes de comenzar la instalación, apague el encendido en el panel de servicio y bloquee el medio de desconexión del servicio a fin de evitar que el encendido se active de forma accidental. Cuando el medio de desconexión del servicio no se pueda bloquear, ajuste de manera segura un ítem de advertencia que esté bien visible, tal como una etiqueta, sobre el panel de servicio.

# READ AND SAVE THESE INSTRUCTIONS

# Información de Seguridad

## ANTES DE COMENZAR

Lea estas instrucciones por completo y con detenimiento.

- **IMPORTANTE** — Conserve estas instrucciones para uso del inspector de electricidad local.
- **IMPORTANTE** — Cumpla con todos los códigos y ordenanzas gubernamentales.
- **IMPORTANTE** — Retire todo el material de embalaje y material escrito del horno antes de conectar el gas y el suministro de corriente a la cocina.
- **IMPORTANTE** — A fin de evitar daños en los gabinetes, controle con su constructor o proveedor de gabinetes que los materiales usados no descolorarán, deslaminarán ni sostendrán otro daño. Este horno fue diseñado de acuerdo con los requisitos de UL y CSA International y cumple con las temperaturas máximas permitidas para gabinetes de madera de 194° F (90° C).
- **Nota para el Instalador** — Asegúrese de que estas instrucciones queden en manos del comprador.
- **Nota para el Consumidor** — Guarde estas instrucciones para referencia futura.
- **Servicio Técnico** — El diagrama eléctrico se encuentra en un sobre adjunto al reverso de la cocina.
- La correcta instalación del producto es responsabilidad del instalador.
- Si se producen fallas en el producto debido a una instalación inadecuada, la Garantía no cubrirá las mismas.
- Antes de instalar su cocina sobre linóleo y cualquier otro revestimiento de piso sintético, asegúrese de que el revestimiento del piso resista los 180° F sin contraerse, combarse o descolorarse. No instale la cocina sobre alfombras, a menos que haya una hoja de contrachapado de un grosor de ¼" o un aislante similar entre la cocina y la alfombra.
- Para acceder a Piezas y Accesorios de Monogram, visite nuestro sitio web en [monogram.com/ownership/parts/](http://monogram.com/ownership/parts/)
- Si ha recibido una cocina dañada, usted debe comunicarse con su vendedor.

## SI ESTE PRODUCTO ES PARA SER USADO FUERA DE LOS EE.UU. O CANADÁ

**▲ ADVERTENCIA** Si desea utilizar este producto con gas Líquido de Propano (LP) que contiene más de 10% de butano, usted deberá adquirir el kit del accesorio de conversión a Propano HA n° ZXBUPR01. Para pedir, llame al 1.888.664.8403 o 1.787.276.4051. No hacerlo puede provocar un peligro de monóxido de carbono o de incendio.

## COMBINACIONES DE CAPUCHAS DE VENTILACIÓN

Se requiere una campana superior de ventilación adecuada para los modelos con parrilla y también se recomienda para todo los demás modelos.

Debido a la elevada capacidad de calor de esta unidad, debe prestarse especial atención a la instalación de la capucha y de la red de conductos para garantizar que cumpla con los códigos de construcción locales.

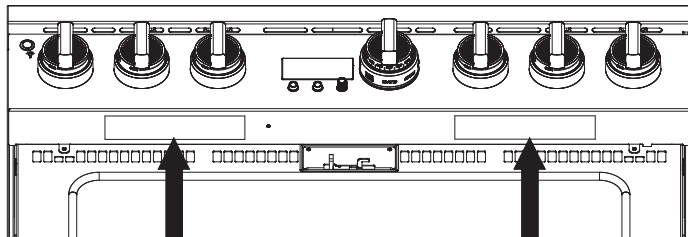
Distancias respecto de superficies horizontales sobre la cocina, medidas en relación a la superficie de cocción. No cumplir con esto puede provocar un peligro de incendio.

- Las instalaciones sin campana requieren un mínimo de 48" en relación a los combustibles, excepto el modelo ZDP484 con el cual se requiere un a campana de ventilación adecuada.
- Una instalación de capucha a medida con superficies expuestas horizontales combustibles debe contar con una función de encendido automático.
- Para otras instalaciones con una capucha, consulte las instrucciones de instalación de capuchas sobre espacios específicos para capuchas.

**▲ PRECAUCIÓN** Estas cocinas pesan hasta 700 libras. Desmontar algunos elementos reducen su peso en forma considerable. Debido al peso y tamaño de la cocina y para reducir el riesgo de lesiones personales o daños al producto:

SE REQUIEREN DOS PERSONAS PARA UNA INSTALACIÓN ADECUADA DE LAS COCINAS DE 36" Y 30".

SE REQUIEREN TRES PERSONAS PARA UNA INSTALACIÓN ADECUADA DE LAS COCINAS DE 48".



Ubicación de la Etiqueta de Especificaciones Técnicas

# READ AND SAVE THESE INSTRUCTIONS

# Contenidos

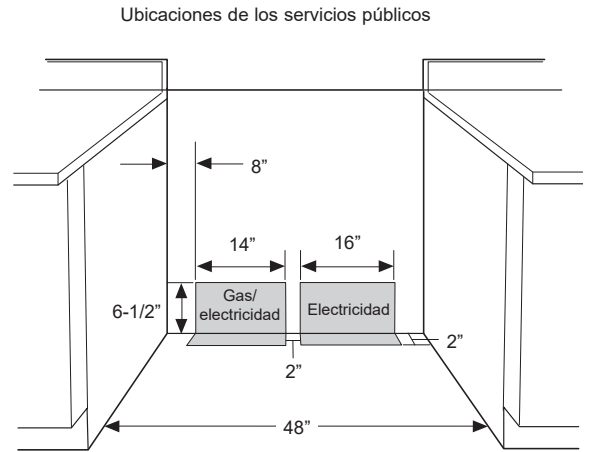
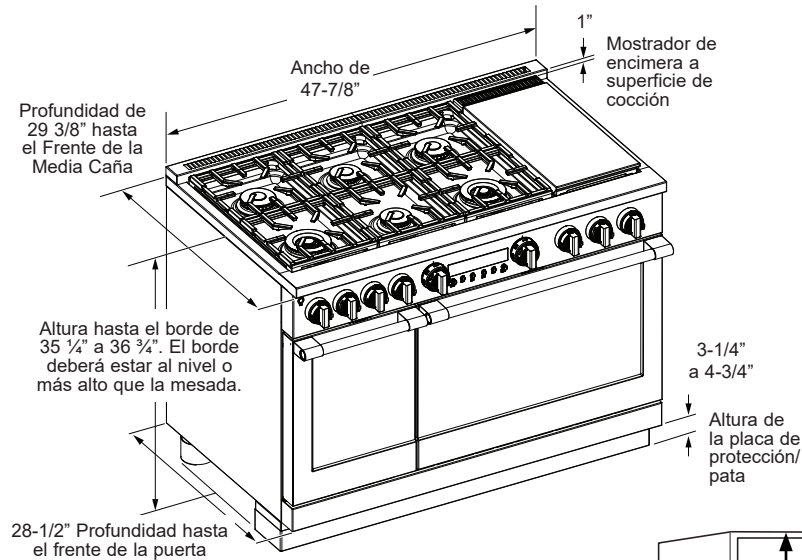
## CONTENIDOS

<b>Información de Seguridad</b> .....	2	<b>Instalación de accesorios</b>	
<b>Información de diseño</b>		Placa de Protección (incluida).....	18
Dimensiones y Espacios del Producto .....	5	<b>Instalación de accesorios UX12BS36PSS, UX12BS48PSS</b>	
<b>Información de instalación</b>		<b>Accesorios Opcionales – Salpicadero Alto de 12”</b>	
Kit Para Altitudes Elevadas WB28K10553.....	9	Herramientas y Materiales Requeridos .....	19
Materiales Provistos .....	9	Instale el Salpicadero de 12”.....	19
Materiales Requeridos (no provistos) .....	9	<b>Instalación de accesorios UXADBS36PSS, UXADBS48PSS</b>	
Herramientas Requeridas .....	9	<b>Accesorios –Salpicadero Ajustable de 30” A 36”</b>	
<b>Instalación</b>		<b>(no incluido)</b>	
Quite el Empaque.....	10	Herramientas y Materiales Requeridos .....	20
Traslade la Cocina al Interior .....	11	Instale los Paneles de Soporte de Pared.....	20
Instale el Dispositivo Anti-Volcaduras .....	12	Instale los Paneles de Cubierta .....	21
Conversión a Gas Propano (LP) o Conversión			
Nuevamente a Gas Natural desde Propano (LP).....	13		
Suministro de Gas.....	13		
Conexiones Eléctricas .....	14		
Coloque la Cocina en su Posición .....	15		
Nivele la Cocina .....	16		
Reemplace las Puertas del Horno .....	16		
Controle los Quemadores .....	17		
Controle las Cabezas de los Quemadores .....	17		
Finalice la Instalación .....	17		
Una Vez Completadas Todas las Conexiones .....	17		

# Información de diseño

## DIMENSIONES Y ESPACIOS DEL PRODUCTO

### Modelos de cocina de 48"



### ⚠ ADVERTENCIA

Se requiere una campana de ventilación en la parte superior para el modelo ZDP484. Las instalaciones sin campana requieren un mínimo de 48" hasta los materiales combustibles. Una instalación de capucha a medida con superficies expuestas horizontales combustibles debe contar con una función de encendido automático. Consulte las instrucciones de instalación de la capucha para obtener espacios específicos de las capuchas.

La superficie de toda la pared trasera sobre la cocina y debajo de la campana deberá estar cubierta con un material no combustible tal como metal, azulejos de cerámica, ladrillo, mármol u otra piedra.

### ⚠ PRECAUCIÓN

Para evitar que una corriente de aire afecte el funcionamiento del quemador, selle todas las aberturas sobre el piso debajo del electrodoméstico y detrás de la pared del mismo.

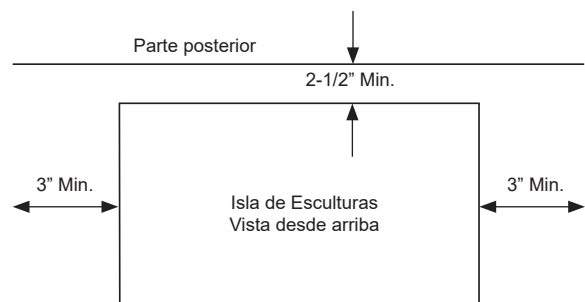
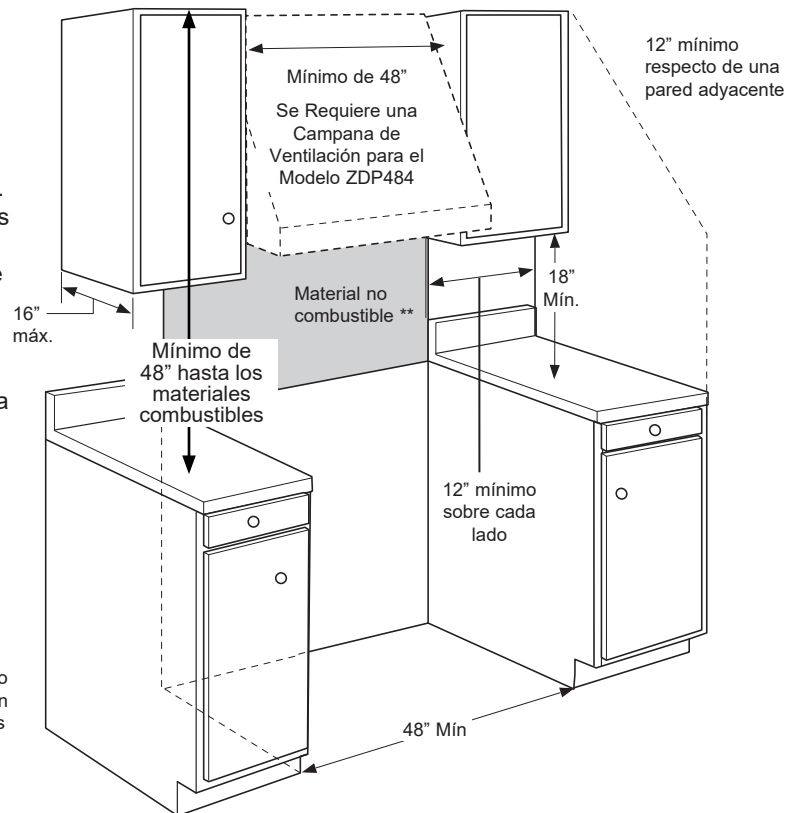
\*\* De acuerdo con lo definido por el National Fuel Gas Code (Código Nacional de Gas Combustible) (ANSI Z223.1/CSA B149.1, Edición Actual). Los espacios de despeje para materiales no combustibles no están dentro del alcance del ANSI Z21.1/CSA 1.1 y no están certificados por CSA. Los espacios de despeje inferiores a 12" deberán ser aprobados por los códigos locales y/o por la autoridad con jurisdicción.

### ESPACIOS ADICIONALES:

Deje un espacio mínimo de 12" respecto de una pared adyacente sobre cada lado.

Las áreas de trabajo adyacentes a la estufa deben contar con un espacio mínimo de 18" entre el mostrador de encimera y la parte inferior del gabinete de pared.

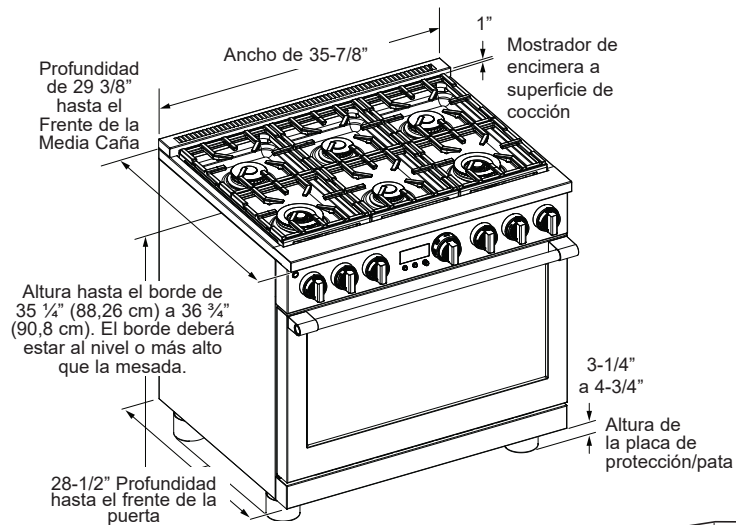
Para la instalación de la isla, deje un espacio mínimo de 2-1/2" entre la abertura y el extremo trasero de la mesada y un mínimo de 3" entre la abertura y los extremos laterales de la mesada (ver la vista superior).



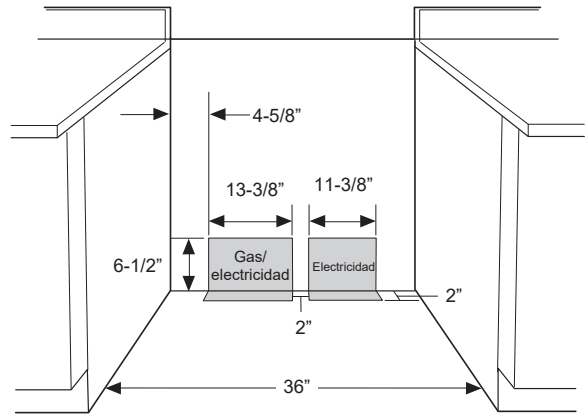
# Información de diseño

## DIMENSIONES Y ESPACIOS DEL PRODUCTO

### Modelos de cocina de 36"



### Ubicaciones de los servicios públicos



### ⚠ ADVERTENCIA

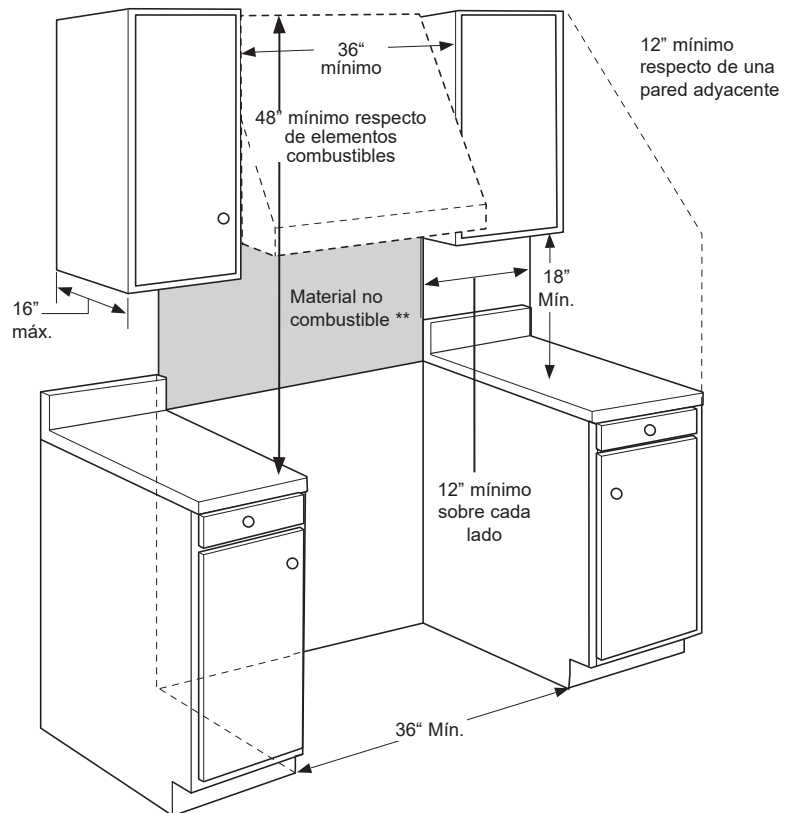
Las instalaciones sin capucha requieren un mínimo de 48" respecto de elementos combustibles. Una instalación de capucha a medida con superficies expuestas horizontales combustibles debe contar con una función de encendido automático. Consulte las instrucciones de instalación de la capucha para obtener espacios específicos de las capuchas.

La superficie de toda la pared trasera sobre la cocina y debajo de la campana deberá estar cubierta con un material no combustible tal como metal, azulejos de cerámica, ladrillo, mármol u otra piedra.

### ⚠ PRECAUCIÓN

Para evitar que una corriente de aire afecte el funcionamiento del quemador, selle todas las aberturas sobre el piso debajo del electrodoméstico y detrás de la pared del mismo.

\*\* De acuerdo con lo definido por el National Fuel Gas Code (Código Nacional de Gas Combustible) (ANSI Z223.1/CSA B149.1, Edición Actual). Los espacios de despeje para materiales no combustibles no están dentro del alcance del ANSI Z21.1/CSA 1.1 y no están certificados por CSA. Los espacios de despeje inferiores a 12" deberán ser aprobados por los códigos locales y/o por la autoridad con jurisdicción.

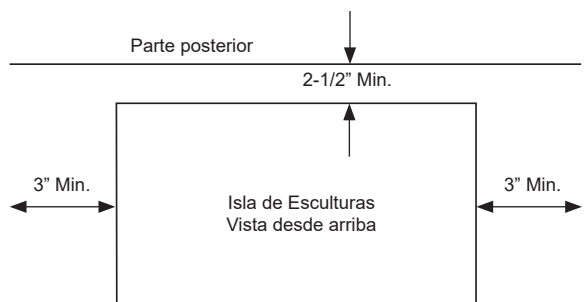


### ESPACIOS ADICIONALES:

Deje un espacio mínimo de 12" respecto de una pared adyacente sobre cada lado.

Las áreas de trabajo adyacentes a la estufa deben contar con un espacio mínimo de 18" entre el mostrador de encimera y la parte inferior del gabinete de pared.

Para la instalación de la isla, deje un espacio mínimo de 2-1/2" entre la abertura y el extremo trasero de la mesada y un mínimo de 3" entre la abertura y los extremos laterales de la mesada (ver la vista superior).

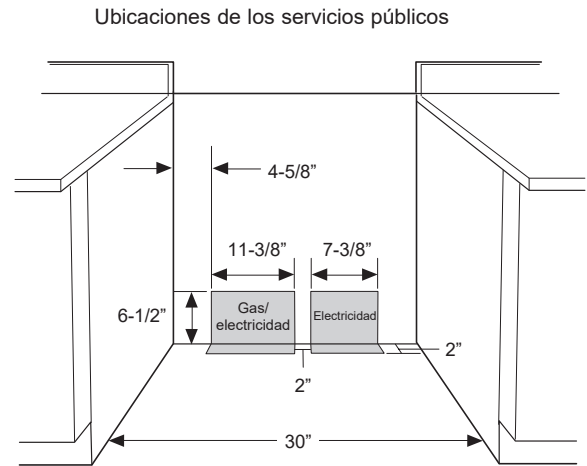
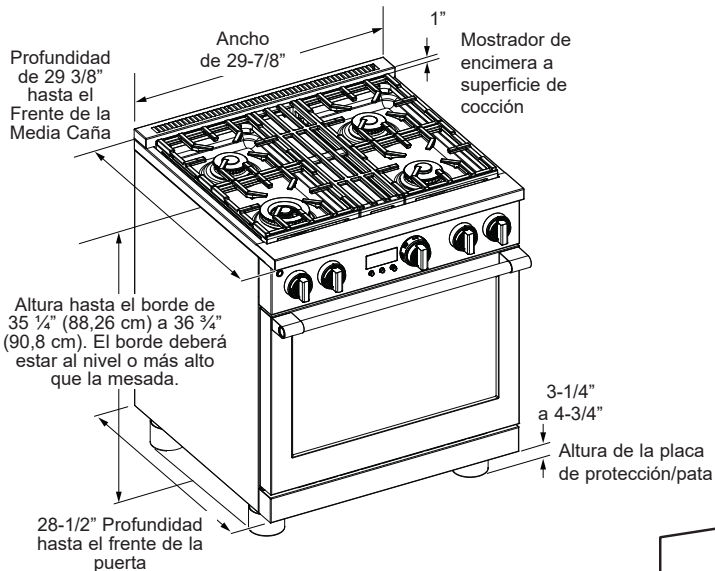




# Información de diseño

## DIMENSIONES Y ESPACIOS DEL PRODUCTO

### Modelos de cocina de 30" de ancho



### ⚠️ ADVERTENCIA

Las instalaciones sin capucha requieren un mínimo de 48" respecto de elementos combustibles. Una instalación de capucha a medida con superficies expuestas horizontales combustibles debe contar con una función de encendido automático. Consulte las instrucciones de instalación de la capucha para obtener espacios específicos de las capuchas.

La superficie de toda la pared trasera sobre la cocina y debajo de la campana deberá estar cubierta con un material no combustible tal como metal, azulejos de cerámica, ladrillo, mármol u otra piedra.

### ⚠️ PRECAUCIÓN

Para evitar que una corriente de aire afecte el funcionamiento del quemador, selle todas las aberturas sobre el piso debajo del electrodoméstico y detrás de la pared del mismo.

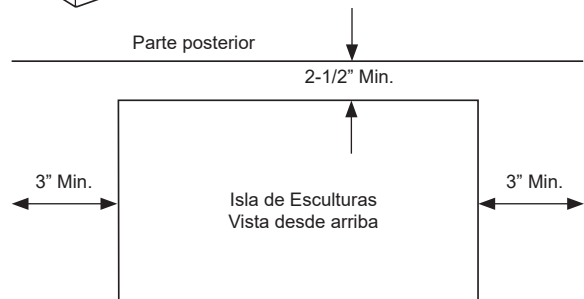
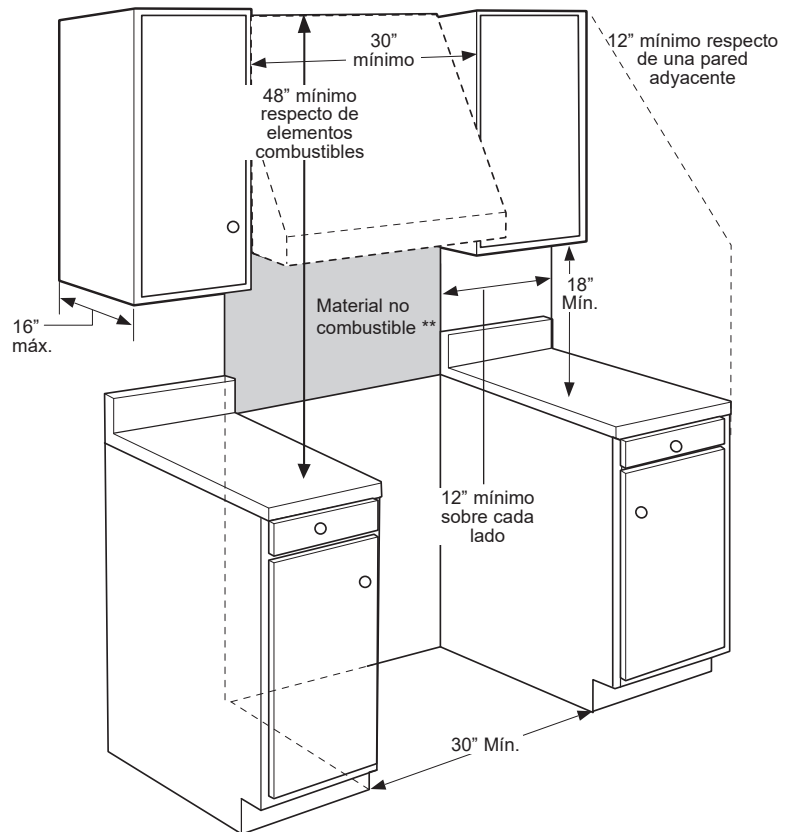
\*\* De acuerdo con lo definido por el National Fuel Gas Code (Código Nacional de Gas Combustible) (ANSI Z223.1/CSA B149.1, Edición Actual). Los espacios de despeje para materiales no combustibles no están dentro del alcance del ANSI Z21.1/CSA 1.1 y no están certificados por CSA. Los espacios de despeje inferiores a 12" deberán ser aprobados por los códigos locales y/o por la autoridad con jurisdicción.

### ESPACIOS ADICIONALES:

Deje un espacio mínimo de 12" respecto de una pared adyacente sobre cada lado.

Las áreas de trabajo adyacentes a la estufa deben contar con un espacio mínimo de 18" entre el mostrador de encimera y la parte inferior del gabinete de pared.

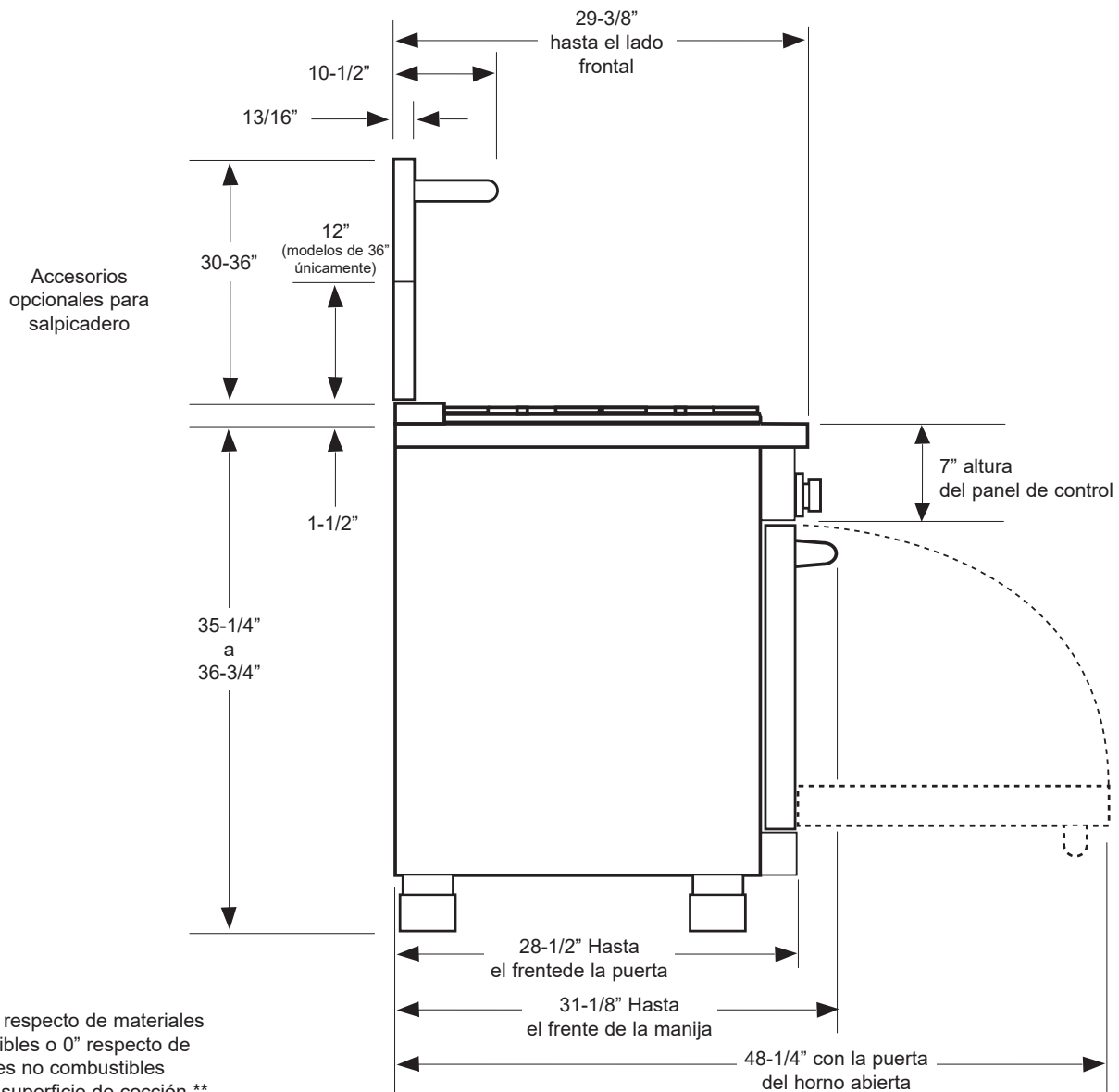
Para la instalación de la isla, deje un espacio mínimo de 2-1/2" entre la abertura y el extremo trasero de la mesada y un mínimo de 3" entre la abertura y los extremos laterales de la mesada (ver la vista superior).



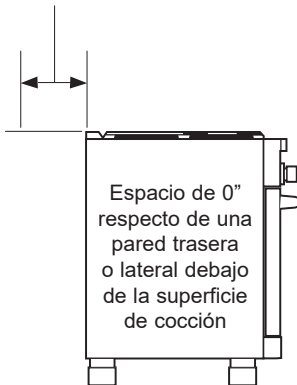
# Información de diseño

## DIMENSIONES Y ESPACIOS DEL PRODUCTO

Modelos de cocinas de 48", 36" y 30"



12" mín. respecto de materiales combustibles o 0" respecto de materiales no combustibles sobre la superficie de cocción \*\*



\*\* De acuerdo con lo definido por el National Fuel Gas Code (Código Nacional de Gas Combustible) (ANSI Z223.1/CSA B149.1, Edición Actual). Los espacios de despeje para materiales no combustibles no están dentro del alcance del ANSI Z21.1/CSA 1.1 y no están certificados por CSA. Los espacios de despeje inferiores a 12" deberán ser aprobados por los códigos locales y/o por la autoridad con jurisdicción.

### ⚠ ADVERTENCIA

El accesorio para salpicadero de acero inoxidable de 12" de altura debe instalarse en combinación con un salpicadero no combustible a medida.

El salpicadero terminado debe cubrir toda la pared trasera hasta la parte inferior de una capucha, o cuando no haya una capucha, 48" respecto de elementos combustibles.

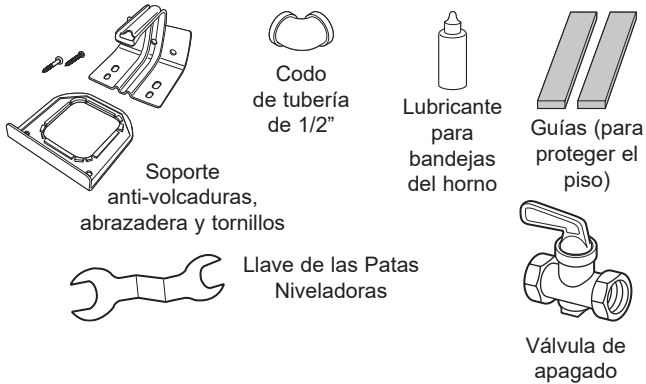
(El accesorio del tablero posterior de acero inoxidable de 12" sólo está disponible para el modelo de 36")

# Información de instalación

## INSTALACIÓN EN ALTITUD ELEVADA

A más de 6000 pies, el producto configurado para gas natural o gas propano requerirá la instalación del kit (WB28X39726 para gas natural y WB28X39727 para gas propano). Siga las instrucciones provistas con el kit.

## MATERIALES PROVISTOS



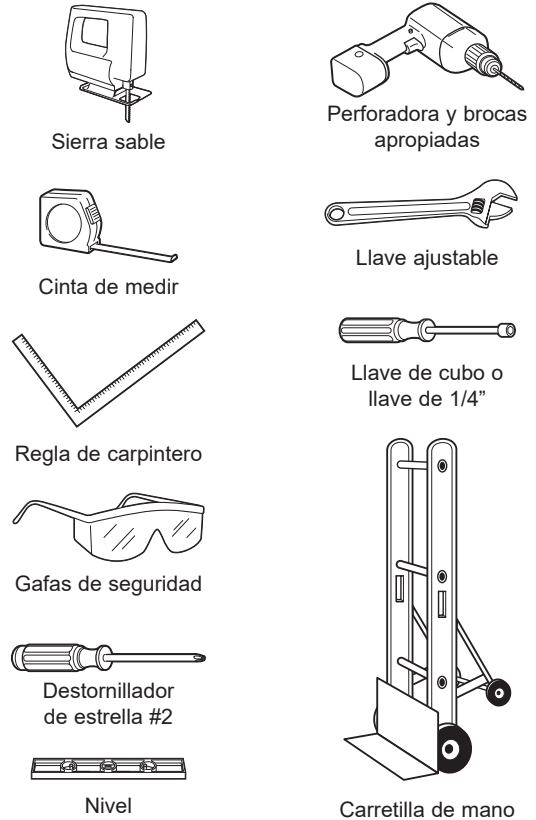
## MATERIALES REQUERIDOS (no provistos)



Longitud máxima de 5 pies, 5/8" DE. Suministro de gas de metal flexible aprobado por CSA

**NOTA:** Adquiera una línea flexible nueva; no utilice una línea de gas flexible previamente usada.

## HERRAMIENTAS REQUERIDAS



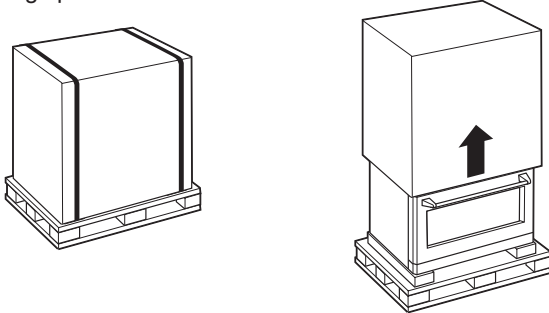
# Instalación

## 1 QUITE EL EMPAQUE

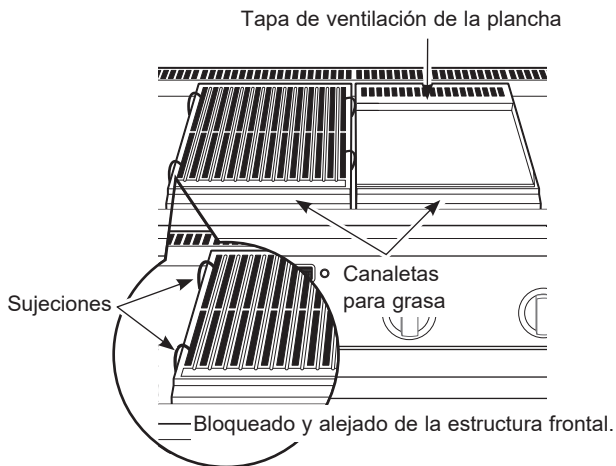
### ⚠ PRECAUCIÓN

Mantenga una distancia prudencial.

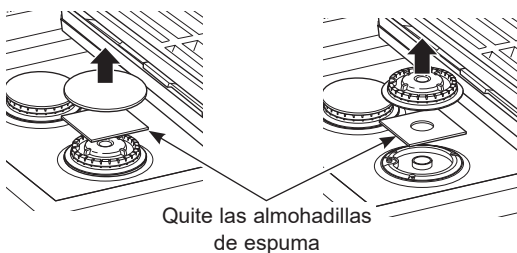
Cuando se cortan, los extremos de los precintos de metal pueden golpearlo.



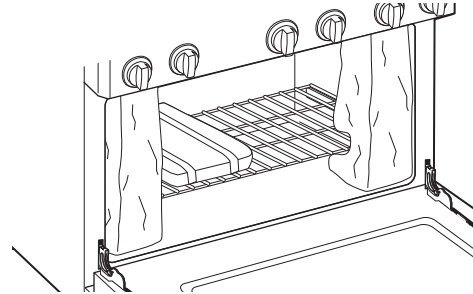
- Corte los precintos de metal. Levante la caja hacia arriba.
- Ubique las dos guías en la parte superior del empaque. Estas guías se utilizarán para proteger el piso de la cocina durante la instalación.
- Quite las protecciones de las esquinas. Deseche todo el material de empaque.
- Quite las tapas de la parrilla/plancha, la rejilla de la parrilla y las rejillas de los quemadores.
- Levante y quite la tapa de ventilación de la plancha de hierro fundido, las canaletas para grasa y las almohadillas.
- Corte las sujeciones que sostienen la rejilla de la parrilla al armazón de la parrilla.



- Levante las tapas de los quemadores y quite las almohadillas de espuma, luego levante los cabezales de los quemadores y quite las almohadillas de espuma.



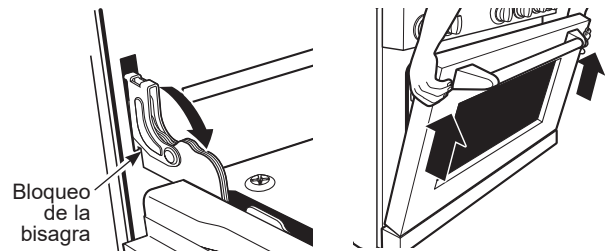
- Abra la(s) puerta(s) del horno y quite los elementos de empaque. Quite la asadera que sostiene el estante, la cinta, el paquete con las instrucciones, el lubricante de bandejas y la sonda.



### ⚠ PRECAUCIÓN

Las puertas y pasillos que lleven a la ubicación de la instalación requieren de una abertura de por lo menos 32". Si la abertura es menor a los 32", deben quitarse la(s) puerta(s) del horno y las perillas de control.

QUITAR LA(S) PUERTA(S) DEL HORNO SÓLO SI ES NECESARIO para trasladar la cocina a través de las puertas. Para evitar daños a los lados de la cocina, será necesario colocar almohadillas en las esquinas debajo de las cintas de la carretilla de mano.



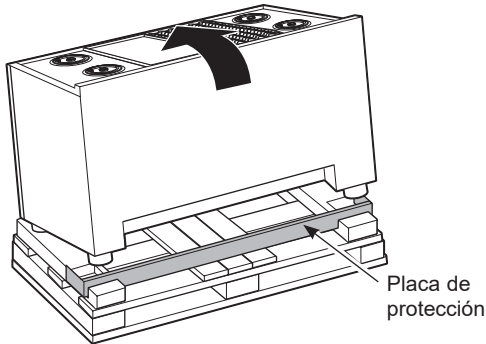
### Para quitar la(s) puerta(s) del horno:

- Abra la puerta por completo.
- Cada bisagra cuenta con un bloqueo de bisagra. Empuje la bisagra hacia usted.
- Tome firmemente la puerta de los lados superiores.
- Cierre la puerta hasta una posición casi vertical.
- Levante la puerta hacia arriba y hálala hacia afuera.

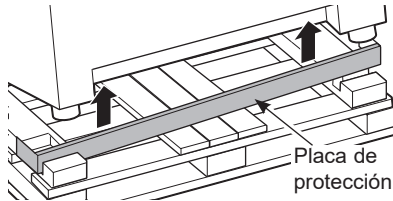
# Instalación

## 2 TRASLADE LA COCINA AL INTERIOR

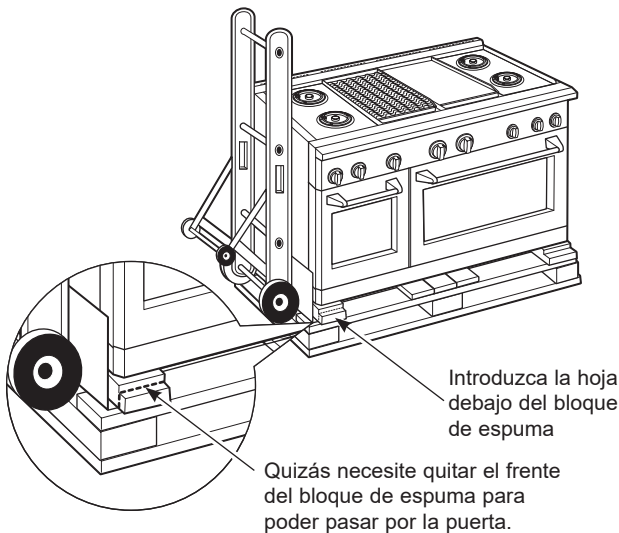
1. Incline la cocina hacia adelante sobre el patín.



2. Quite la placa de protección de la base de espuma.



3. Coloque la hoja de la carretilla de mano debajo del bloque de espuma.

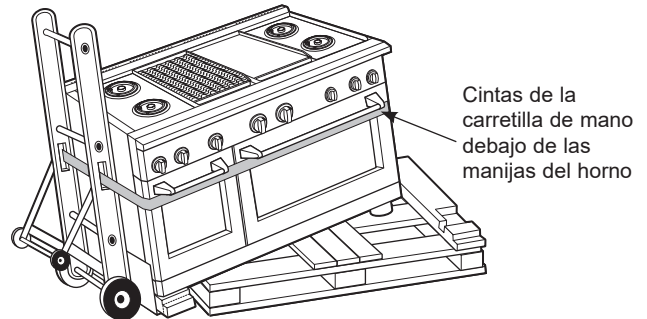


**IMPORTANTE:** No retire el bloque de espuma de la base mientras la carretilla elevadora se encuentre en uso. Coloque la hoja de la carretilla elevadora debajo del bloque de espuma de la base y transporte la sierra hasta la ubicación final.

4. Sujete las correas de la carretilla de mano alrededor de la unidad.

**IMPORTANTE:** Coloque las cintas de la carretilla de mano debajo de las manijas de la puerta del horno. A fin de evitar dañar los paneles laterales, coloque una almohadilla entre la carretilla de mano y la cocina.

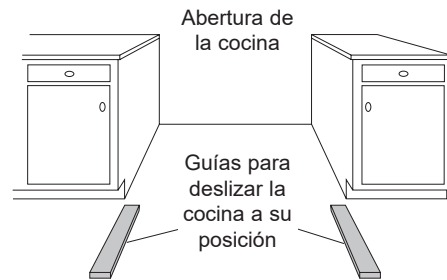
5. Incline la cocina para bajar las ruedas de la carretilla de mano del patín.



6. Coloque las guías del aparato sobre el piso en los lados izquierdo y derecho en frente de la abertura.

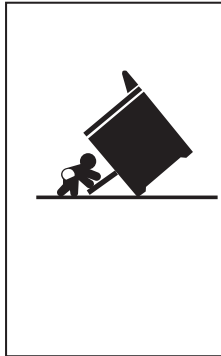
**IMPORTANTE:** Las guías brindan una superficie para deslizar la cocina a su posición final y protegen el acabado del piso. Las guías deben quitarse antes de nivelar la cocina.

7. Traslade la cocina al interior. Coloque la cocina frente a la ubicación de la instalación, sobre las guías.



# Instalación

## 3 INSTALE EL DISPOSITIVO ANTI-VOLCADURAS



### ⚠ ADVERTENCIA

#### Riesgo de Caída

- Un niño o adulto pueden volcar la cocina y morir.
- Instale el soporte anti-volcaduras sobre la pared o el piso.
- Asegúrese la estufa al soporte anti-volcaduras deslizando la unidad hacia atrás de tal manera que la pata niveladora sea enganchada.
- Vuelva a adherir el soporte anti-volcaduras si la estufa se mueve de lugar.
- Si esto no se hace, se podrá producir la muerte o quemaduras graves en niños o adultos.

Para reducir el riesgo de volcar la cocina, ésta debe sujetarse mediante un soporte anti-volcaduras con una adecuada instalación. Ver las instrucciones de instalación enviadas con el soporte para obtener detalles completos antes de iniciar la instalación.

Para controlar que el soporte esté instalado y sujetado de forma adecuada, observe la parte inferior de la cocina. El soporte anti-Volcaduras se debe insertar en la abertura correspondiente a la abrazadera anti-volcaduras de la cocina. Si el brazo del soporte pierde la abrazadera en la parte izquierda o derecha, o si el brazo del soporte no sobresale a través de la apertura de la abrazadera, la abrazadera se deberá volver a instalar.

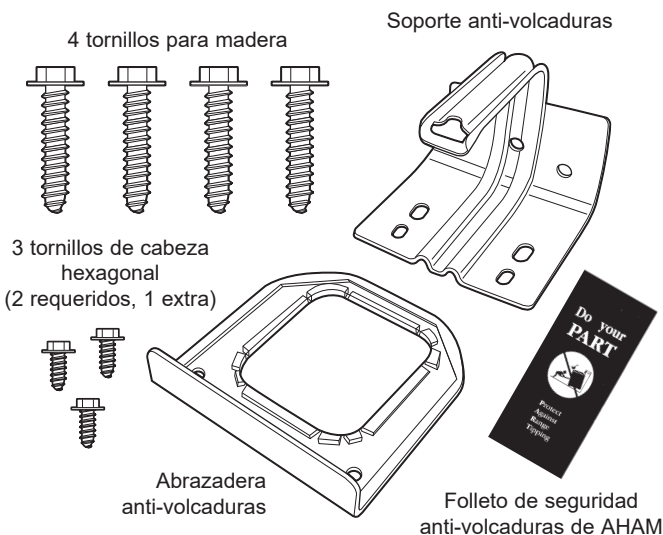
Si la cocina se separa de la pared por cualquier razón, siempre repita este procedimiento para verificar que la cocina esté bien sujeta mediante el soporte anti-volcaduras.

Si su cocina no cuenta con un soporte anti-volcaduras, llame al 1.800.626.8774 para recibir uno sin costo alguno.

Si el dispositivo anti-volcaduras suministrado con la cocina no es apto para la aplicación, utilice el dispositivo anti-volcaduras WB2X7909.

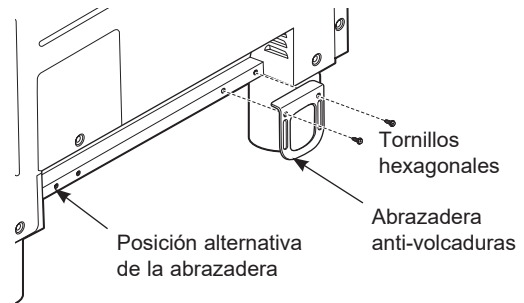
Lea el Folleto de seguridad anti-volcaduras de AHAM enviado con el soporte.

#### Piezas anti-volcaduras provistas



- Sujete la abrazadera anti-volcaduras a la parte inferior de la cocina en el área empotrada. Instale 2 tornillos hexagonales (provistos) a través de la abrazadera y dentro de la cocina.

**NOTA:** Este dispositivo anti-volcaduras puede instalarse en el lado opuesto de la cocina.



- Mida y marque Dimensión A (vea la tabla abajo) desde el lado izquierdo (o derecho) de la ubicación de la instalación. Si el mostrador de encimera tiene una saliente, agregue esa dimensión a Dimensión A.

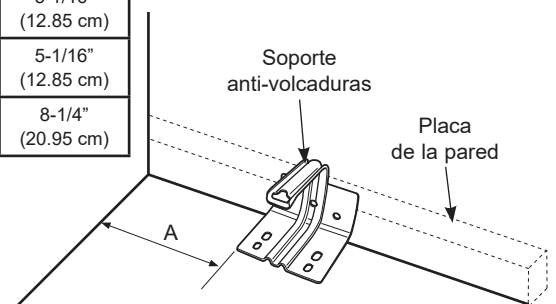
- Coloque el soporte anti-volcaduras contra el piso y pared trasera en la ubicación marcada. Marque los orificios de los tornillos para sujetar el soporte a la placa de la pared y el piso.

- Perfore orificios piloto de 1/8" a un ángulo de 20°.

- Sujete el soporte a la pared y/o piso mediante por lo menos 2 tornillos para madera (provistos).

**Para construcciones de concreto o cemento:** Deben utilizarse elementos de sujeción apropiados (no provistos).

La Cocina	A
30" (76 cm)	5-1/16" (12.85 cm)
36" (91 cm)	5-1/16" (12.85 cm)
48" (121 cm)	8-1/4" (20.95 cm)



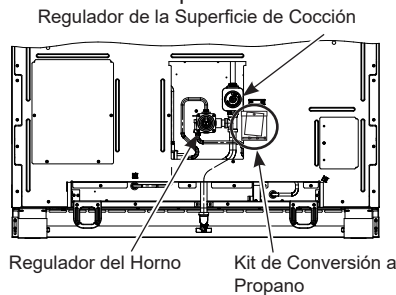


# Instalación

## 4 CONVERTIR A PROPANO (LP) O CONVERTIR NUEVAMENTE A GAS NATURAL DESDE PROPANO (LP)

Esta cocina deja la configuración de fábrica para uso con gas natural. Si desea realizar la conversión a propano (LP), la conversión deberá ser realizada por un instalador de gas propano (LP) calificado. Los orificios de conversión y las instrucciones se podrán encontrar en la parte trasera de la cocina.

Guarde estas instrucciones y todo orificios en caso de que lo desee convertir nuevamente a gas natural.



## 5 SUMINISTRO DE GAS

**⚠ ADVERTENCIA** Riesgo de incendio: No use una llama para controlar las pérdidas de gas.

**⚠ ADVERTENCIA** Riesgo de Explosión: No supere una torsión máxima de 25 pies-libras al realizar conexiones de tuberías de gas. Cualquier ajuste en exceso podrá dañar el regulador de presión, resultando en riesgo de incendio o explosión.

### Regulador de Presión de Gas

Se deberá usar el regulador de presión de gas suministrado con esta cocina. Para un funcionamiento adecuado, la presión de entrada al regulador deberá ser la siguiente:

#### Gas Natural:

Presión mínima: Columna de Agua de 6"

Presión máxima: Columna de Agua de 13"

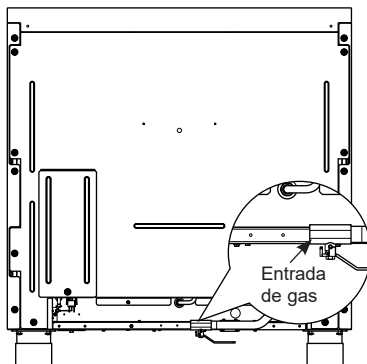
#### Gas Propano:

Presión mínima: Columna de Agua de 11"

Presión máxima: Columna de Agua de 13"

Si no está seguro sobre cuál es la presión de entrada, comuníquese con el proveedor de gas local.

**NOTA:** Se envía con esta cocina una válvula de cierre, y la misma se deberá instalar en la parte trasera de la cocina, cerca del piso con la manija mirando hacia abajo. Esta llave de cierre se debe usar en caso de necesitar realizar el servicio técnico. Para acceder a la válvula de cierre, retire el panel del zócalo y acceda a la parte inferior de la cocina. Se brinda un codo opcional de 1/2" para la conexión a la entrada de gas de la cocina.



## 5 SUMINISTRO DE GAS (Cont.)

Cierre la válvula principal de suministro de gas antes de desconectar su vieja cocina y deje la misma apagada hasta que la nueva conexión se haya completado. No olvide volver a encender el piloto en otros electrodomésticos a gas cuando vuelva a encender el gas.

Debido a que las tuberías duras restringen el movimiento de la cocina, se recomienda el uso del conector para electrodomésticos de metal flexible con certificación internacional de CSA, a menos que los códigos locales requieran una conexión de tubería dura.

Si se usa el método de tubería dura, deberá alinear la misma con cuidado; la cocina no se podrá mover una vez realizada la conexión.

A fin de evitar pérdidas de gas, coloque el sellador de roscas de tuberías, o envuelva la cinta para roscas de tuberías con Teflón\* alrededor de todas las roscas de tubería macho (externas).

- Instale una válvula de cierre manual de la línea de gas en la línea de gas, en una ubicación de fácil acceso fuera de la cocina. Asegúrese de que todas las personas que usen la cocina sepan dónde y cómo cerrar el suministro de gas de la cocina.
- Instale el adaptador para uniones cónicas macho de 1/2" a la rosca interna de NPT de 1/2" en la entrada de la válvula de cierre de la estufa. Use la llave de repuesto en la válvula de cierre para evitar daños.
- Instale el adaptador para uniones cónicas macho de 1/2" o 3/4" a la rosca interna de NPT de la válvula de cierre del hogar, procurando evitar que la válvula de cierre no gire.
- Conecte el conector de metal flexible del electrodoméstico al adaptador de la cocina. Posicione la estufa para permitir la conexión en la válvula de cierre del hogar.
- Cuando todas las conexiones se hayan realizado, asegúrese de que todos los controles de la cocina estén en la posición de apagado y encienda la válvula de suministro principal de gas. Use un detector de pérdida de líquido en todas las conexiones de gas, a fin de controlar pérdidas en el sistema.

Al usar presión superior a 1/2 psig para controlar la presión del sistema de suministro de gas de la residencia, desconecte la cocina y la válvula de cierre individual de la tubería de suministro de gas. Al usar las presiones de prueba de 1/2 psig o menos para controlar el sistema de suministro de gas, simplemente aisle la cocina del sistema de suministro de gas, cerrando la válvula de cierre individual.

Al controlar el funcionamiento adecuado del regulador, la presión de entrada deberá ser por lo menos 1" mayor que la presión de funcionamiento (tubo) como en la etiqueta de calificación del producto.

\*Teflón: Marca registrada por DuPont



# Instalación

## 6 REQUERIMIENTOS ELÉCTRICOS

**⚠ADVERTENCIA** Esta unidad debe contar con una adecuada conexión a tierra.

**⚠ADVERTENCIA** Todas las construcciones nuevas, casas rodantes, vehículos recreativos e instalaciones donde los códigos locales no permiten una conexión a tierra a través de un neutral requieren un cable para cocina de 4 conductores aprobado por UL.

**⚠ADVERTENCIA** Para prevenir un incendio o descarga eléctrica, no utilice un cable de extensión con este aparato.

**⚠ADVERTENCIA** Para prevenir una descarga eléctrica, quite el fusible o abra el interruptor de circuitos antes de comenzar la instalación.

Recomendamos que un electricista calificado conecte el cableado eléctrico y su cocina. Después de la instalación, solicite al electricista que le indique cómo desconectar la energía de la cocina.

Usted debe usar un sistema eléctrico de 60 hertzios CA de fase única de 120/280 voltios o 120/240 voltios. Si tiene una conexión con cableado de aluminio, deben utilizarse conectores adecuadamente instalados para utilizar con cableado de aluminio.

Si el servicio eléctrico provisto no cumple con las especificaciones anteriores, haga que un electricista con licencia instale un tomacorriente aprobado.

Vigente desde el 1 de enero de 1996, el Código Eléctrico Nacional requiere que las nuevas construcciones (no existentes) utilicen una conexión de cuatro conductores a una cocina eléctrica. Cuando instale una cocina eléctrica en una nueva construcción, una casa rodante, un vehículo recreativo o un área donde los códigos locales prohíben la conexión a tierra a través de un conductor neutral, consulte la sección sobre conexiones en circuito derivado de cuatro conductores.

Consulte a las empresas de servicio público sobre los códigos eléctricos que se aplican en su área. No realizar el cableado de su horno de acuerdo con los códigos vigentes puede provocar una situación peligrosa. Si no existen códigos locales, su cocina debe contar con cables y fusibles que cumplan con los requisitos del Código Eléctrico Nacional, ANSI/NFPA No. 70—Última edición.

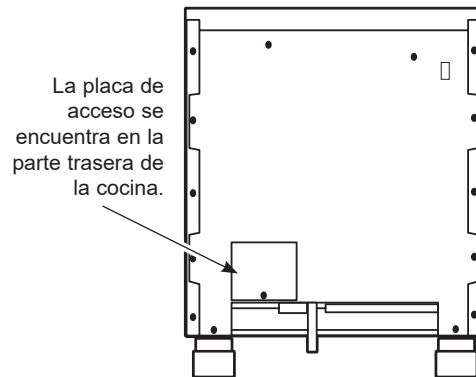
Este electrodoméstico deberá ser suministrado con el voltaje y la frecuencia adecuados, y deberá ser conectado a un circuito de empalmes individual, correctamente conectado a tierra (50 amperes para cocinas de 48", y 30 amperes para cocinas de 36" y 30"), y estar protegido por un disyuntor o un fusible de retraso.

Utilice sólo un cable para cocinas de 3 o 4 conductores aprobado por UL. Estos cables pueden contar con terminales de anillo en alambre y un dispositivo de alivio de tensión.

## 6 REQUERIMIENTOS ELÉCTRICOS (Cont.)

Se requiere un cable para cocinas clasificado para 40 amperios con rango de voltios mínimo de 125/250. No se recomienda un cable de 50 amperios, pero si se utiliza, debe señalizarse para usarse con aberturas de conexión de un diámetro nominal de 1-3/8". Debe tenerse cuidado al centrar el cable y el alivio de tensión dentro del orificio de expulsión para evitar que el borde dañe el cable.

NOTA: No se recomienda para este producto el uso de interruptores automáticos, inalámbricos o con cableado externo que apagan la corriente del electrodoméstico.



## 7 INSTALACIÓN DE CABLE DE ENERGÍA DE 4 HILOS

**NOTA:** La cocina viene con un cable de 4 hilos conectado de fábrica. Siga los pasos siguientes para cambiar una instalación existente de un cable de 3 hilos a un cable de 4 hilos.

**⚠ADVERTENCIA** El cable neutral del circuito de suministro debe estar conectado a la terminal neutral ubicada en el centro inferior del bloque terminal. Los cables de energía deben estar conectados a las terminales inferior izquierda e inferior derecha del bloque terminal. El cuarto cable a tierra debe estar conectado al armazón de la cocina con la placa de conexión a tierra y el tornillo a tierra.

■ Quite los 3 tornillos inferiores del bloque terminal. Quite el tornillo a tierra y la placa de conexión a tierra y consérvelos.

■ Quite la cinta de conexión a tierra.

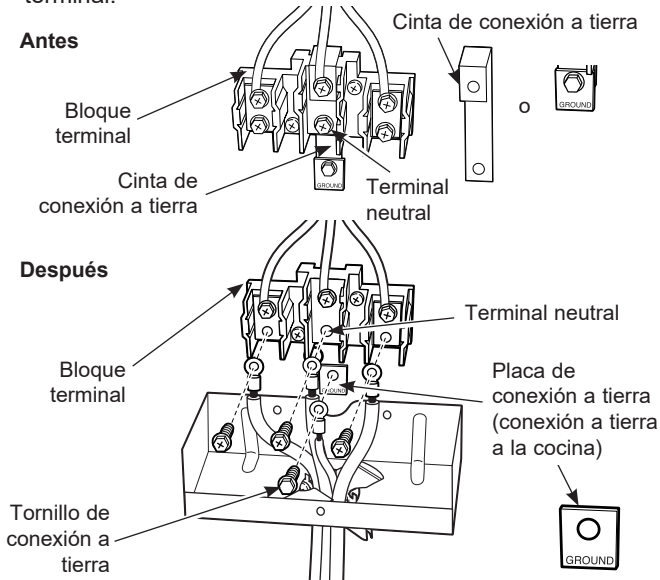
**NO DESECHE LA CINTA DE CONEXIÓN A TIERRA O LOS TORNILLOS.**

■ Introduzca el tornillo de conexión a tierra dentro del anillo terminal de conexión a tierra del cable de energía, a través de la placa de conexión a tierra dentro del armazón de la cocina.

# Instalación

## 7 INSTALACIÓN DE CABLE DE ENERGÍA DE 4 HILOS (Cont.)

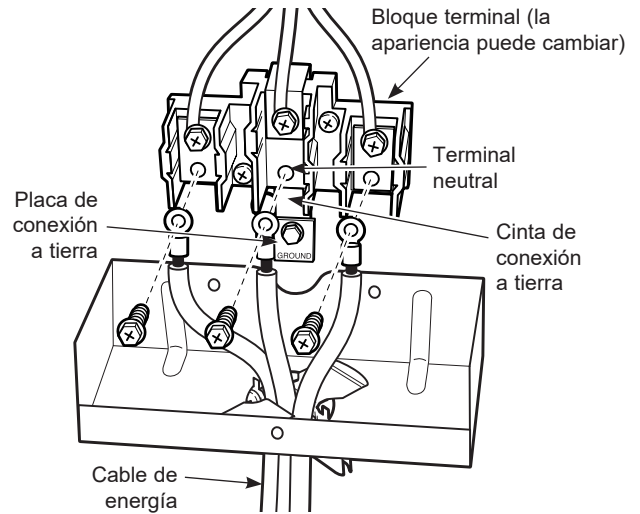
- Introduzca los 3 tornillos de terminal (quitados antes) a través de cada anillo de terminal de cable de energía y dentro de las terminales inferiores del bloque terminal. Asegúrese de que el hilo central (blanco/neutral) se encuentre conectado a la posición central inferior del bloque terminal. Ajuste bien los tornillos al bloque terminal.



## 8 INSTALACIÓN DE CABLE DE ENERGÍA DE 3 HILOS (Cont.)

- Quite los 3 tornillos inferiores del bloque terminal. Introduzca los 3 tornillos de terminal a través de cada anillo de terminal de cable de energía y dentro de las terminales inferiores del bloque terminal. Asegúrese de que el hilo central (blanco/neutral) se encuentre conectado a la posición central inferior del bloque terminal. Ajuste bien los tornillos al bloque terminal.

**NO quite la cinta de conexión a tierra.**



## 8 INSTALACIÓN DE CABLE DE ENERGÍA DE 3 HILOS

**NOTA:** La cocina viene con un cable de 4 hilos conectado de fábrica. Siga los pasos siguientes para cambiar la cocina a un cable de 3 hilos.

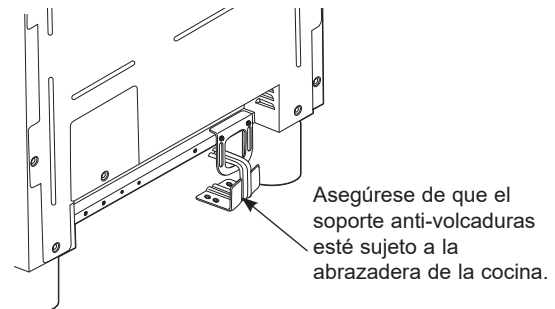
**⚠ ADVERTENCIA** El cable neutral o a tierra del cable de energía debe estar conectado a la terminal neutral ubicada en el centro del bloque terminal. Los cables de energía deben estar conectados a las terminales inferior izquierda e inferior derecha del bloque terminal.

- Quite la cinta de conexión a tierra (ubicada en el lado derecho del bloque terminal) y realice una conexión entre la porción inferior central del bloque terminal y el armazón de la cocina.

## 9 COLOQUE LA COCINA EN SU POSICIÓN

**⚠ ADVERTENCIA** El soporte anti-volcaduras debe instalarse adecuadamente para evitar la volcadura accidental de la cocina. No hacerlo puede provocar daños o lesiones graves.

- Asegúrese de que las guías del aparato se encuentren debajo de las ruedas.
- La cocina se envía con la ruedas en la posición baja. Con mucho cuidado deslice la cocina a su posición, asegurándose de no enroscar o pellizcar el cable de energía y la tubería flexible de gas.
- Quite las guías ubicadas debajo de la cocina.



# Instalación

## 10 NIVELE LA COCINA

### ⚠ ADVERTENCIA

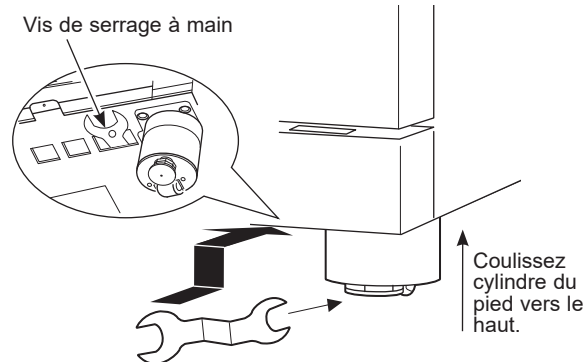
La cocina debe estar nivelada y sostenida por las patas, no por la ruedas. La cocina podría desplazarse si la ruedas hacen contacto con el piso. Asegúrese de que todas las patas estén en contacto con el piso en cualquier instalación.

- Todas las patas deben nivelarse después de que el producto se haya instalado.
- Asegúrese de que los gabinetes/mostradores de encimera cercanos se encuentren nivelados, desde el frente a la parte trasera y de izquierda a derecha a lo largo de la abertura de la cocina.
- Mida la distancia desde el piso hasta el extremo superior del mostrador de encimera en las esquinas traseras izquierda y derecha.
- Ajuste la altura de la cocina a la altura del mostrador de encimera o a una altura superior.

**IMPORTANTE:** Esta cocina siempre debe instalarse a la altura del mostrador de encimera o a una altura superior. **NO INSTALE LA COCINA POR DEBAJO DE LA ALTURA DEL MOSTRADOR DE ENCIMERA ADYACENTE.** Esta cocina debe hallarse sostenida por las 4 patas, independientemente de la altura del mostrador de encimera.

### AJUSTE DE LAS PATAS DELANTERAS

- El aparato cuenta con una llave para nivelar las patas. Ubique la misma debajo del frente de la cocina, cerca de la pata derecha. Ubique y quite un tornillo de apriete manual y luego saque la llave de la ranura.
- Deslice el cilindro frontal hacia arriba para acceder a las patas niveladoras frontales. Tenga cuidado de no dañar el cilindro.



- Use la llave suministrada para ajustar las patas niveladoras frontales. Gire en dirección de las agujas del reloj para extender las patas a fin de elevar y estabilizar la cocina. Gire en dirección contraria a las agujas del reloj para retraer las patas y permitir que la cocina se apoye sobre sus ruedas.
- Asegúrese de volver a colocar la llave en su ranura de almacenamiento para usos posteriores.

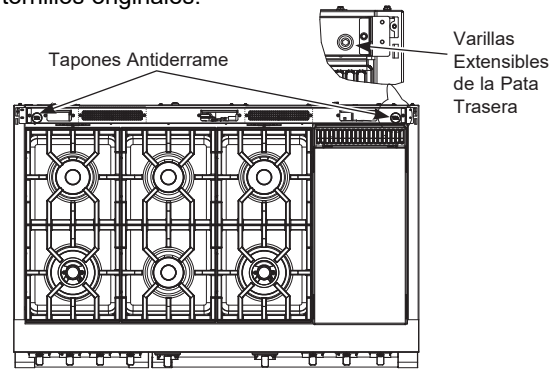
## 10 NIVELE LA COCINA (cont.)

### AJUSTE DE LAS PATAS TRASERAS

### ⚠ ADVERTENCIA

A fin de reducir el riesgo de incendios o descargas eléctricas, siempre vuelva a colocar los tapones antiderrame en los agujeros de la varilla de nivelación.

- Quite dos tornillos del reborde de ventilación trasero. Deslice el reborde de ventilación hacia adelante y luego levántelo.
- Retire los 2 tapones antiderrame para ubicar las varillas de nivelación extensibles de la pata trasera. Use una llave de tubo o destornillador de 1/4" para ajustar las patas traseras izquierdas o derechas.
- Busque las dos varillas de extensión de las patas traseras. Utilice una llave de cubo o llave de 1/4" para ajustar las patas traseras izquierda o derecha.
- Vuelva a colocar los 2 tapones antiderrame y luego vuelva a colocar el borde de ventilación trasero utilizando los tornillos originales.



## 11 REEMPLACE LAS PUERTAS DEL HORNO

Saltee este paso si las puertas del horno se encuentran en su lugar.

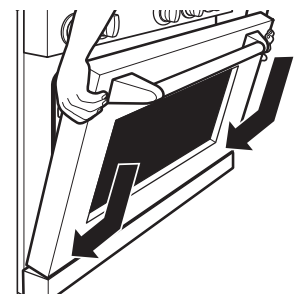
**IMPORTANTE:** No levante la puerta tomándola de la manija.

**Para reemplazar las puertas del horno:**

- Tome firmemente la puerta de los lados superiores. Esto es fundamental.
- Acérquese a la cocina con la puerta en posición vertical.
- Guíe las bisagras dentro de las ranuras.
- Presione la puerta firmemente hacia adentro mientras la abre.
- Una vez que esté en su posición, abra la puerta por completo. Presione las trabas de la bisagra hacia adentro y hacia el armazón frontal.

### ⚠ PRECAUCIÓN

Tenga cuidado al reemplazar las puertas del horno. Si la traba de la bisagra no se encuentra bien bloqueada, la bisagra puede saltar y separarse. Si la bisagra se separa, debe aplicarse presión (posiblemente con el pie) para unirla y enganchar de nuevo la traba de la bisagra.



# Instalación

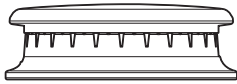
## 12 CONTROLE LOS QUEMADORES

### ⚠ ADVERTENCIA

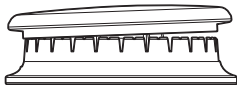
Riesgo de Incendio o Explosión:

No use el quemador sin que todas las partes de los quemadores estén en sus respectivos lugares.

- A. **Quemadores** - Coloque las cabezas de los quemadores en las posiciones correspondientes en la placa de cocción.
- B. **Tapas** - Coloque las tapas en los quemadores de los tamaños correspondientes.
- C. **Rejillas** - Las rejillas izquierda y derecha son intercambiables. Coloque las rejillas en la placa de cocción.



Tapa del quemador bien colocada



Tapa del quemador mal colocada

## 13 CONTROLE LAS CABEZAS DE LOS QUEMADORES

Presione y gire la perilla a la posición LITE (Luz). Un sonido de clic indica el correcto funcionamiento del sistema de encendido. Al iluminar cualquier quemador, se producirán chispas en todos los quemadores pero sólo saldrá gas del que fue seleccionado. Una vez que el aire se haya purgado de la línea de suministro, el quemador se deberá encender dentro de los 4 segundos. Luego de que el quemador se encienda, gire la perilla fuera de la posición LITE (Luz). Pruebe cada quemador de forma sucesiva hasta que todos los quemadores hayan sido controlados.

### Calidad de las Llamas

Determine la calidad de las llamas de forma visual. Las llamas normales de los quemadores se deberán ver como (A) o (B).



(A) Llamas azul suave — Normal para gas natural



(B) Puntas amarillas en conos externos — Normal para el gas propano (LP)

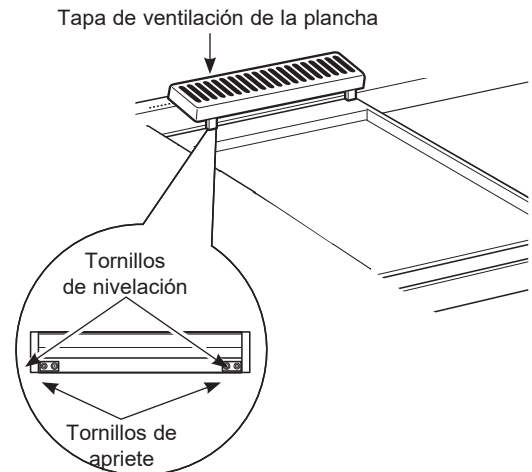
Las llamas largas de color amarillo brillante no son normales. Las llamas normales podrán mostrar signos de un tinte anaranjado cuando estén bien quemadas, o signos de anaranjado parpadeante debido a las partículas del gas o del aire.

## FINALICE LA INSTALACIÓN

Coloque las rejillas de los quemadores sobre los quemadores. Las rejillas deben estar bien asentadas y no deben moverse.

La plancha se halla sujeta con tornillos. Se encuentra diseñada para permanecer en un lugar fijo y no debe quitarse.

La plancha cuenta con dos tornillos de nivelación debajo de tapa de ventilación trasera que pueden usarse para ajustar la inclinación deseada.



Los dos tornillos internos son tornillos de apriete para asegurar la plancha en su lugar. Afloje los dos tornillos antes de nivelar. No quite estos dos tornillos.

Los dos tornillos exteriores son tornillos de nivelación. No quite estos dos tornillos. Pueden girarse para nivelar la plancha o para brindar una inclinación hacia adelante para que las grasas y aceites se escurran de los alimentos que se están cocinando.

Después de nivelar la plancha, ajuste los tornillos de apriete a mano; no ajuste de más.

## CUANDO TODAS LAS CONEXIONES SE HAYAN COMPLETADO

Asegúrese de que todos los controles queden en la posición de apagado. Asegúrese de que el flujo de la combustión y el aire de ventilación a la cocina estén desobstruidos.

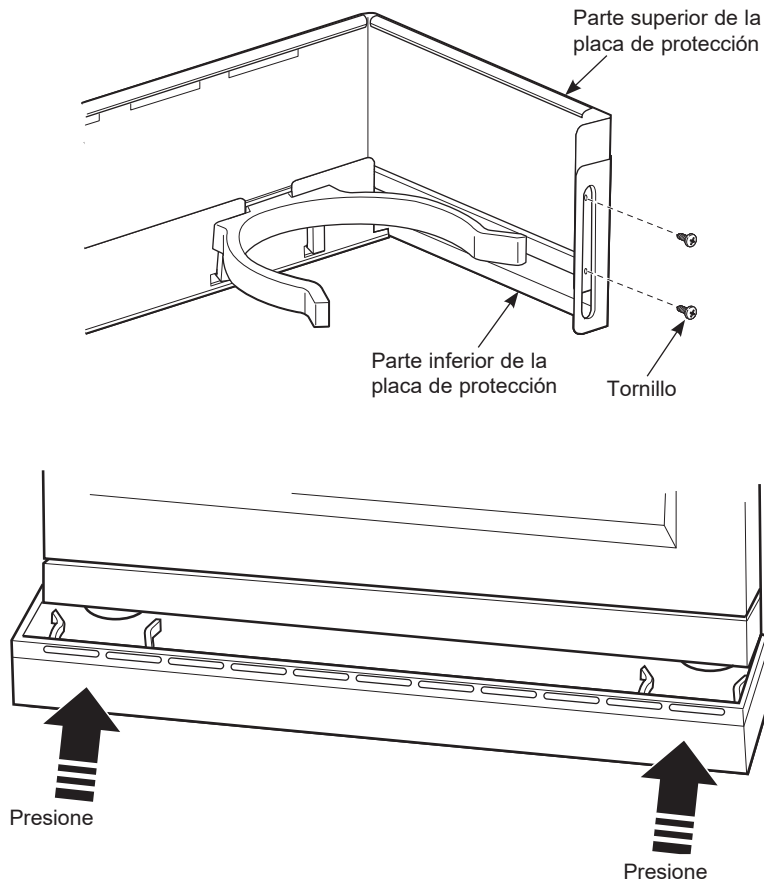
Asegúrese que todos los materiales de empaque y cintas se hayan retirado. Esto incluye cintas sobre el panel metálico debajo de las perillas de control (si corresponde), cinta adhesiva, cintas para ajuste de cables, cartón y plástico protector. Si estos materiales no se retiran, se podrá producir como resultado un daño sobre el electrodoméstico, una vez que el mismo haya sido encendido y las superficies estén calientes.

# Instalación de accesorios

## PLACA DE PROTECCIÓN (incluida)

- Instale la placa de protección después de que se haya nivelado la cocina.
- Mida la distancia entre el piso y la parte inferior de la cocina.
- Afloje los dos tornillos de cada extremo. Ajuste la altura de la placa de protección separando las piezas superiores e inferiores en 1/8" menos que la altura medida.
- Fije las secciones superior e inferior ajustando los 2 tornillos de cada extremo.
- Presione la placa de protección contra la pata de la cocina hasta que se trabe sobre las patas.

**NOTA:** Asegúrese de que la placa de protección quede bien sujeta a la pata.



# Instalación de accesorios UX12BS36PSS, UX12BS48PSS

## ACCESORIOS OPCIONALES – SALPICADERO ALTO DE 12”

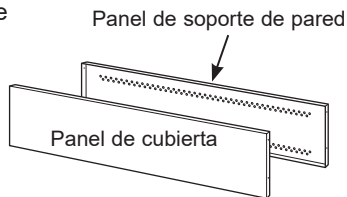
Este kit provee la instalación de tableros posteriores superiores de 12” en Estufas y Placas Superiores de Estufas Profesionales.

### HERRAMIENTAS Y MATERIALES REQUERIDOS

- Guantes para protegerse de los bordes filosos
- Destornilladores T-15 y de estrella #2
- Perforadora eléctrica con mechas de 3/32” y 9/64” bits
- Gafas de seguridad
- Nivel
- Lápiz

#### Este kit incluye

- Panel de soporte de pared
- Panel de cubierta
- Paquete de ferretería con
  - 5 tornillos auto-roscantes #8 Torx 15 de acero inoxidable
  - 5 tornillos de estrella #2 para madera de cabeza troncocónica #10

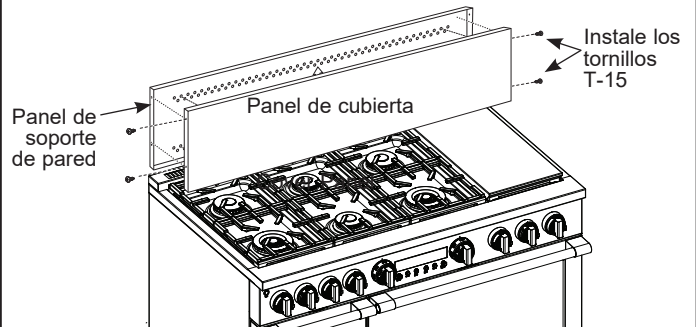
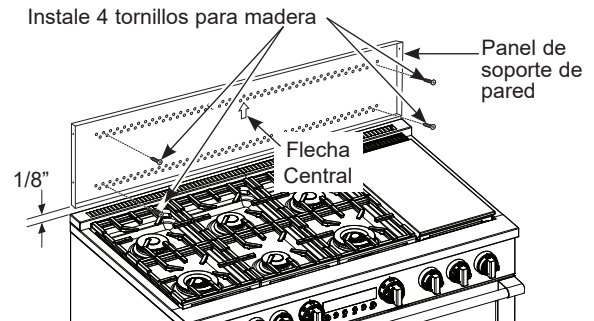


### INSTALE EL SALPICADERO DE 12”

#### ⚠ ADVERTENCIA

Este salpicadero debe estar bien sujeto a la pared. No hacerlo puede provocar daños o lesiones personales.

- Instale y nivele la cocina o estufa y la capucha de la cocina de acuerdo con las instrucciones de instalación.
- Quite el empaque y la película protectora del salpicadero.
- Utilice un nivel para marcar con lápiz una línea horizontal sobre la pared, 1/8” sobre la cocina o estufa. El espacio de 1/8” permite que el panel de cubierta se superponga con el panel de soporte de pared.
- Ubique los parantes en ambos lados. Donde no haya parantes disponibles, utilice anclajes de pared (no provistos).
- Alinee el panel de soporte de pared sobre la línea horizontal marcada y centrada de izquierda a derecha.
- El panel de soporte de pared debe fijarse a la pared en las 4 esquinas. Utilice tornillos para madera (provistos) o anclajes de pared (no provistos) para fijar el panel de soporte a la pared.
- Coloque el panel de protección sobre el panel de soporte de pared y fije con tornillos Torx (provistos). Instale 2 tornillos en cada lado.





# Instalación de accesorios UXADBS36PSS, UXADBS48PSS

## ACCESORIOS –SALPICADERO AJUSTABLE DE 30” A 36” (no incluido)

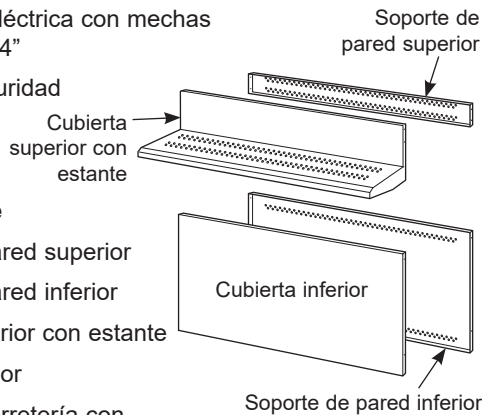
- Este salpicadero puede ajustarse para poder utilizarse en el espacio entre la parte superior de la cocina y la parte inferior de la capucha, con una altura mínima de 30” y una máxima de 36”.
- El peso máximo de capacidad de carga del estante es de 40 lbs.

### HERRAMIENTAS Y MATERIALES REQUERIDOS

- Guantes para protegerse de bordes filosos
- Destornilladores T-15 y de estrella #2
- Perforadora eléctrica con mechas de 3/32” y 9/64”
- Gafas de seguridad
- Nivel
- Lápiz

#### Este kit incluye

- Soporte de pared superior
- Soporte de pared inferior
- Cubierta superior con estante
- Cubierta inferior
- Paquete de ferretería con
  - 9 tornillos auto-roscantes #8 Torx 15 de acero inoxidable
  - 9 tornillos de estrella #2 para madera de cabeza troncocónica #10
  - 3 tornillos de cabeza segmentada #10 de acero inoxidable #2 (para un método de instalación alternativo)



### INSTALE LOS PANELES DE SOPORTE DE PARED

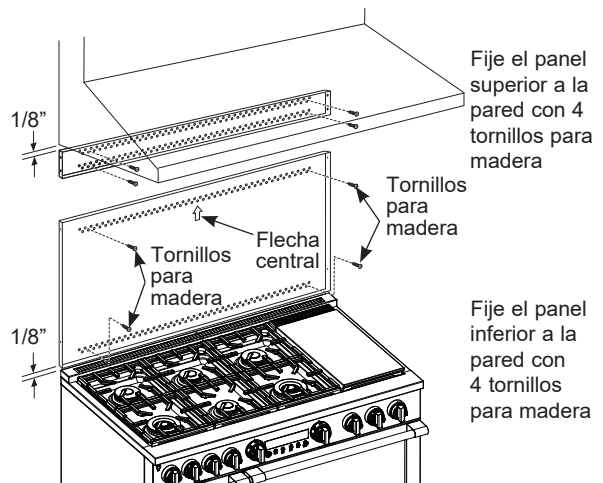
#### ⚠ADVERTENCIA

Los paneles de soporte de pared deben estar bien sujetos a la pared. No hacerlo puede provocar daños o lesiones personales.

**IMPORTANTE:** Este salpicadero se encuentra diseñado para cubrir la pared entre la parte inferior de la capucha y la parte superior de la cocina. La capucha de ventilación debe instalarse sobre la estufa o cocina antes de instalar el salpicadero.

- Instale y nivele la cocina/estufa de acuerdo con las instrucciones de instalación del producto.
- Quite el empaque y la película protectora del salpicadero.
- Ubique los parantes en ambos lados. Donde no haya parantes disponibles, utilice anclajes de pared (no provistos).
- Utilice un nivel para marcar con lápiz 2 líneas horizontales sobre la pared, una 1/8” por debajo de la capucha de ventilación y la otra 1/8” por encima de la cocina/estufa. El espacio de 1/8” permite que los paneles de cubierta se superpongan con los soportes de pared.
- Fije el panel de soporte de pared superior a la pared con 4 tornillos para madera, a través de los parantes exteriores.
- Utilice 4 tornillos para madera para fijar el panel de soporte de pared inferior. La ranura central debe ubicarse en la parte superior.

El espacio entre los paneles de soporte superior e inferior se cubrirá con la cubierta superior con estante.





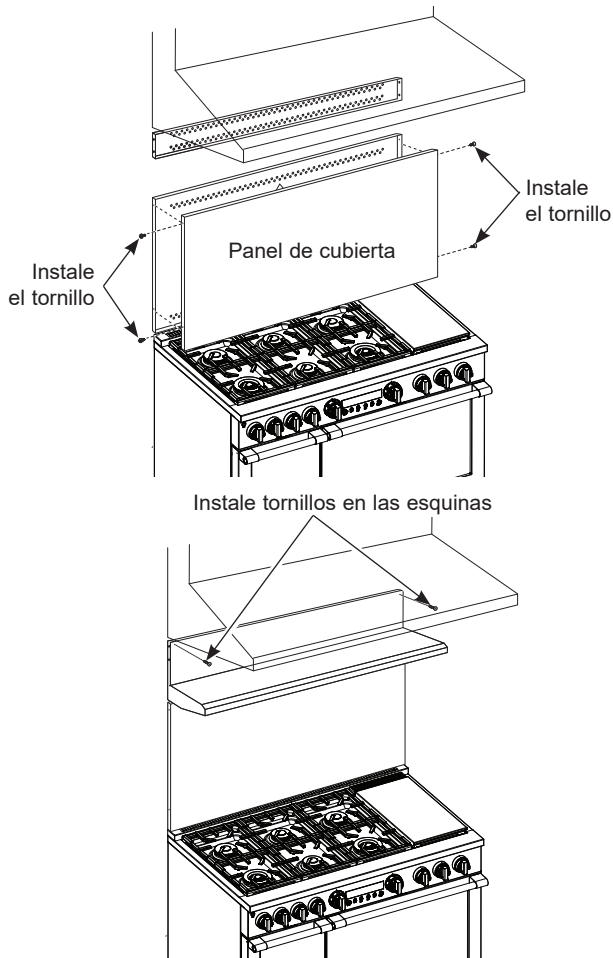
# Instalación de accesorios UXADBS36PSS, UXADBS48PSS

## ACCESORIOS –SALPICADERO AJUSTABLE DE 30” A 36” (no incluido) (cont.)

### INSTALE LOS PANELES DE CUBIERTA

Ver el método alternativo si el acceso lateral se encuentra bloqueado.

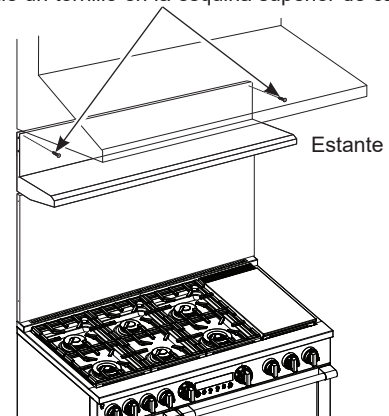
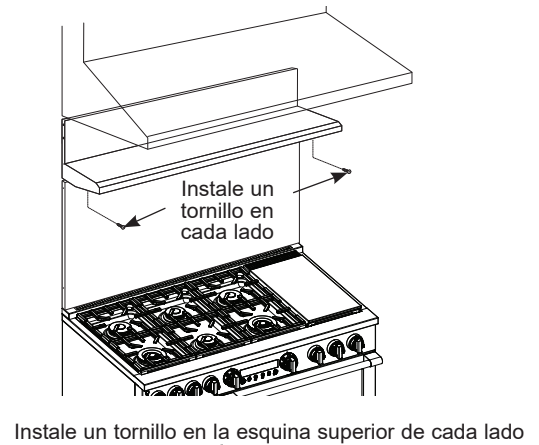
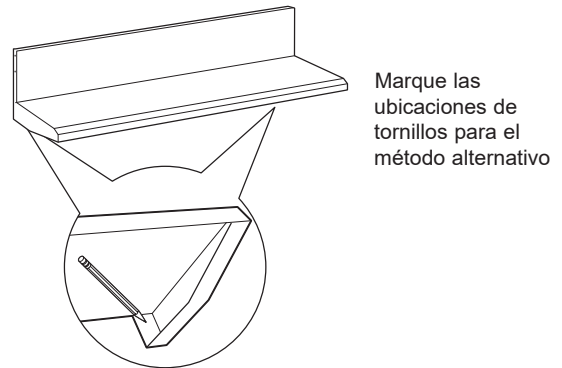
- Sostenga la cubierta inferior sobre el soporte inferior mientras coloca un tornillo (provisto) sobre cada lado.
- Coloque la cubierta superior con estante sobre el soporte de pared superior. Si tiene acceso a los lados, fije el panel con dos tornillos de cada lado.
- Fije la cubierta superior con estante al soporte superior con tornillos a través de la parte frontal del panel, en las esquinas superiores. Utilice un tornillo en cada lado.



### INSTALE LOS PANELES DE CUBIERTA (cont.)

**MÉTODO ALTERNATIVO:** Cuando el acceso lateral se encuentra bloqueado.

- Instale la cubierta inferior sobre el soporte inferior mientras coloca un tornillo sobre cada lado.
- Sostenga la cubierta superior en su lugar mientras marca las ubicaciones de los tornillos, apenas debajo del soporte de estante y sobre la cubierta inferior.
- Quite el estante y perforo un orificio de 9/64” de diámetro en las ubicaciones marcadas con lápiz.
- Monte la cubierta superior sobre el soporte superior y fije la cubierta frontal con tornillos a través de los orificios perforados sobre cada lado.
- Instale tornillos a través de cada esquina superior.



# Notas

---

# Notas

---

**NOTA:** Al realizar las instalaciones descritas en este libro, se deberán usar anteojos o gafas de seguridad.

**NOTA:** Monogram Appliances se esfuerza de forma constante para mejorar sus productos. Por lo tanto, los materiales, el aspecto y las especificaciones están sujetos a cambios sin aviso previo