

---

# Top Load Washer Use and Care Manual

12.1kg, 14kg, 16kg

220-240V 50Hz

220-240V 60Hz

## Table of Contents

Product Registration .....	2	Operating Instructions .....	11-12
Important Safety Instructions .....	2-3	Stain Removal Guide.....	13-14
Installation Instructions .....	4	Care and Cleaning.....	14
Important Safety Instructions .....	4	Winterizing.....	15
Technical specifications .....	4	Common Washing Problems.....	16
Installation Requirements.....	5-6	Avoid Service checklist .....	17-18
Unpacking Instructions .....	6	Notes.....	19-20
Installation Instructions .....	7-8		
Replacement parts .....	8		
Washing Procedures .....	9-10		

---

## Product Record

### Read and Save These Instructions

#### Record Your Model and Serial Numbers

The model and serial numbers of your washer are found on the washer serial plate. Record and retain these numbers.

Model Number \_\_\_\_\_

Serial Number \_\_\_\_\_

Purchase Date \_\_\_\_\_

Read all instructions before using this appliance. This book contains valuable information about:

- Operation
- Care
- Service

Keep it in a safe place.

This Use and Care Guide provides general operating instructions for your washer. It also contains information about features for several other models. Your washer may not have every feature included.

Use the washer only as instructed in this Use & Care Guide .

---

## Important Safety Instructions

**⚠ WARNING** To reduce the risk of fire, electrical shock, or injury to persons when using this washer, comply with the basic warnings listed below. Failure to comply with these warnings could result in serious personal injuries.

You can be killed or seriously injured if you don't follow these Important Safety Instructions:

### Recognize safety symbols, words and labels

Safety items throughout this manual are labeled with a WARNING or CAUTION based on the risk type as described below:

**⚠ WARNING** This symbol alerts you to situations that may cause serious body harm, death or property damage.

**⚠ CAUTION** This symbol alerts you to situations that may cause bodily injury or property damage.

Save these instructions for future reference.

**NOTE** The instructions appearing in this Use and Care Guide are not meant to cover every possible condition and situation that may occur. Common sense and caution must be practiced when installing, operating and maintaining any appliance.

### PREVENT FIRE

- Do not wash items that have been previously cleaned in, soaked in, or spotted with gasoline, cleaning solvents, kerosene, cooking oils, waxes, etc. Do not store these items on or near the washer. These substances give off vapors or chemical reactions that could ignite or explode.
- Do not put oily or greasy rags or clothing on top of the washer. These substances give off vapors that could ignite the materials.
- Do not add gasoline, cleaning solvents, or other flammable or explosive substances to the wash water. These substances give off vapors that could ignite or explode.
- Under certain conditions, hydrogen gas may be produced in a hot water system that has not been used for 2 weeks or more. HYDROGEN GAS IS EXPLOSIVE. If the hot water system has not been used for such a period, before using the washer, turn on all hot water faucets and let the water flow from each for several minutes. This will release any accumulated hydrogen gas. Hydrogen gas is flammable; do not smoke or use an open flame during this time.
- Do not store or use gasoline or other flammable vapors or liquids in the vicinity of this or any other appliance.
- Failure to comply with these warnings could result in fire, explosion, serious bodily injury and/or damage to the rubber or plastic parts of the washer.

## Important Safety Instructions, continued

### PROTECT CHILDREN

- Do not allow children to play on or in the washer. Close supervision of children is necessary when the washer is used near children. As children grow, teach them the proper, safe use of all appliances.
- **⚠ WARNING** Young children should be supervised all times to ensure their safety.
- Destroy the carton, plastic bag and other packing materials after the washer is unpacked. Children might use them for play. Cartons covered with rugs, bedspreads or plastic sheets can become airtight chambers.
- Keep laundry products out of children's reach. To prevent personal injury, observe all warnings on product labels.
- Before the washer is removed from service or discarded, remove the washer door to prevent accidental entrapment.
- Failure to comply with these warnings could result in serious personal injuries.
- **⚠ WARNING** This appliance is not intended for use by persons (including children) with reduced physical, sensory or mental capabilities or lack of experience and knowledge, unless they are supervised or given instructions concerning use of the appliance by a person responsible for their safety.

### PREVENT INJURY

- To prevent shock hazard and assure stability during operation, the washer must be installed and electrically grounded by a qualified service person in accordance with local codes. Installation instructions are packed in the washer for installer's reference. Refer to **INSTALLATION INSTRUCTIONS** for detailed grounding procedures. If the washer is moved to a new location, have it checked and reinstalled by a qualified service person.
- To prevent personal injury or damage to the washer, the electrical power cord of the washer must be plugged into a properly grounded and polarized 3-prong outlet. The third grounding prong must never be removed. Never ground the washer to a gas pipe. Do not use an extension cord or an adaptor plug. Regularly clean the power plug to remove dust and dirt to avoid contact failure. Insert power plug into socket completely.
- Pull out plug from socket if machine is not in use. Do not pull on the electric cord when pulling out the plug. Do not pull out or insert plug with wet hands to avoid electric shock.
- Follow package directions when using laundry products. Incorrect usage can produce poisonous gas resulting in serious injury or death.
- Do not combine laundry products for use in 1 load unless specified on the label.
- Do not mix chlorine bleach with ammonia or acids such as vinegar.

**⚠ WARNING** HARMFUL VAPOR HAZARD - Do not use or mix liquid chlorine bleach with other household chemicals such as toilet cleaners, rust removers, acid or products containing ammonia. These mixtures can produce dangerous fumes which can cause serious injury or death.



**⚠ WARNING** Adequate ventilation has to be provided to avoid the back flow of gases into the room from appliances burning other fuels, including open fires.

### PREVENT INJURY AND DAMAGE TO THE WASHER

To prevent serious personal injury and damage to the washer:

- All repairs and servicing must be performed by an authorized servicer unless specifically recommended in this Use & Care Guide. Use only authorized factory parts.
- Do not tamper with controls.
- Do not install or store the washer where it will be exposed to the weather.
- Do not install on carpet. Install washer on a solid floor. It may be necessary to reinforce the floor to prevent vibration or movement.
- To reduce the risk of electric shock, disconnect this appliance from the power supply before attempting any user maintenance. Turning the controls to the OFF position does not disconnect this appliance from the power supply.
- To prevent injury, do not reach into the washer while parts are moving. Before loading, unloading or adding items, push in the cycle selector knob and allow the drum to come to a complete stop before reaching inside.
- Failure to comply with these warnings could result in serious personal injuries.
- Do not directly rinse the machine with water when cleaning. Do not place on the washer burning candle, mosquito-repellent incense, cigarette and other flammable items as well as electric stove, air heating fan and other heating sources.

**⚠ WARNING** - FIRE/ELECTRICAL SHOCK HAZARD - Avoid fire hazard or electrical shock. Do not use an adapter plug or extension cord or remove grounding prong from electrical power cord. Failure to follow this warning can cause serious injury, fire or death.

---

# INSTALLATION INSTRUCTIONS

## Important Safety Instructions

**⚠ WARNING** For your safety the information in this manual must be followed to minimize the risk of fire or explosion or to prevent property damage, personal injury or loss of life. Do not store or use gasoline or other flammable vapors and liquids in the vicinity of this or any other appliance.

Recognize safety symbols, words and labels

Safety items throughout this manual are labeled with a WARNING or CAUTION based on the risk type as described:

**⚠ WARNING** This symbol alerts you to situations that may cause serious body harm, death or property damage.

**⚠ CAUTION** This symbol alerts you to situations that may cause bodily injury or property damage.

Save these instructions  
for future reference.

**⚠ WARNING** Read all of the following instructions before installing and using this appliance:

- Destroy the carton and plastic bags after the washer is unpacked. Children might use them for play. Cartons covered with rugs, bedspreads, or plastic sheets can become airtight chambers causing suffocation. Place all materials in a garbage container or make materials inaccessible to children.
- The electrical service to the washer must conform with local codes and ordinances .
- To avoid back or other injury, have more than one person move or lift the washer.
- The instructions in this manual and all other literature included with this washer are not meant to cover every possible condition and situation that may occur. Good safe practice and caution **MUST** be applied when installing, operating and maintaining any appliance.

---

## Technical Specifications

Voltage [V]	220-240V 50Hz, 220-240V 60Hz
Connected load	8A
Water pressure	10 psi (0.69 bar) - 73 psi (5.00 bar)
Maximum dry load	Cotton, 12.1kg, 14kg, 16kg

## INSTALLATION REQUIREMENTS

### Electrical system requirements

POWER SUPPLY - 2 wire, 220-240V, 60HZ, Alternating Current or 2 wire, 220-240V single phase 50Hz Alternating Current.

**NOTE** Because of potentially inconsistent voltage capabilities, the use of this washer with power created by gas powered generators, solar powered generators, wind powered generators or any other generator other than the local utility company is not recommended.

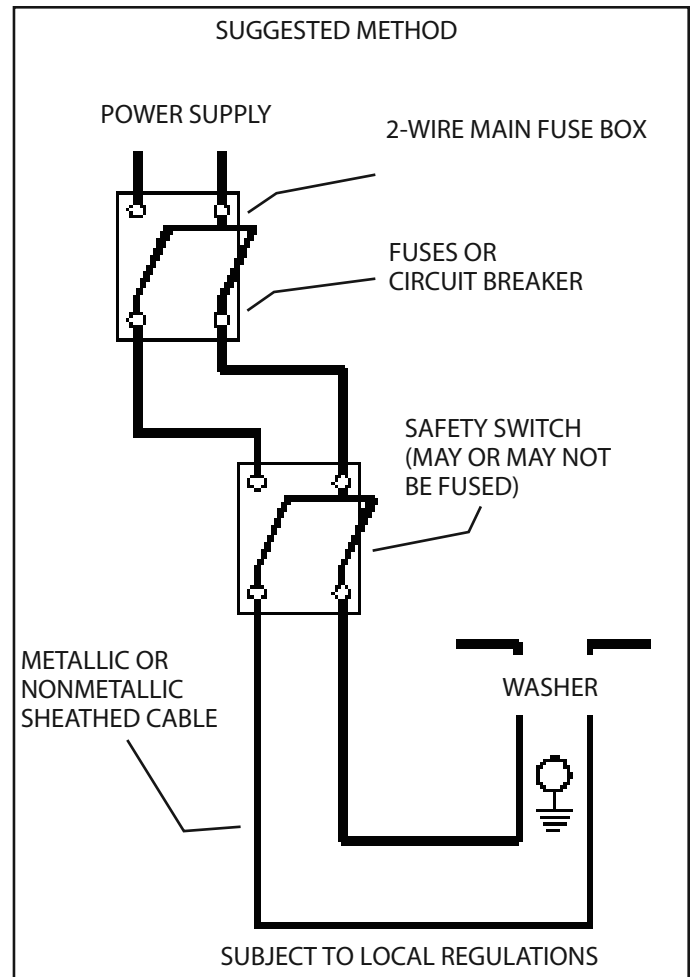
OUTLET RECEPTACLE - Properly grounded receptacle to be located so the power supply cord is accessible when the washer is in an installed position.

**NOTE** GFI (Ground Fault Interrupter) receptacle is not required.

### Grounding requirements

**⚠ WARNING** - ELECTRICAL SHOCK HAZARD - Improper connection of the equipment grounding conductor can result in a risk of electrical shock. Check with a licensed electrician if you are in doubt as to whether the appliance is properly grounded.

1. The washer **MUST** be grounded. In the event of malfunction or breakdown, grounding will reduce the risk of electrical shock by a path of least resistance for electrical current.
2. Since your washer is equipped with a power supply cord having an equipment-grounding conductor and a grounding plug, the plug **MUST** be plugged into an appropriate, copper wired receptacle that is properly installed and grounded in accordance with all local codes and ordinances. If in doubt, call a licensed electrician. **DO NOT** cut off or alter the grounding prong on the power supply cord. In situations where a two-slot receptacle is present, it is the owner's responsibility to have a licensed electrician replace it with a properly grounded receptacle.
3. For added personal safety, connect a separate ground wire (No. 18 minimum) from a top panel hinge screw on the rear of the washer to a grounded cold water pipe. **DO NOT** ground to a gas supply pipe or hot water pipe.
4. Grounded cold water pipe **MUST** have metal continuity to electrical ground and **MUST** register no more than 25 ohms resistance. It **MUST** not be interrupted by plastic, rubber, or other electrical insulating connectors such as hoses, fittings, washers, gaskets (including water meter or pump). Any electrically insulated connector should be jumped with a length of No. 4 copper wire securely clamped to bare metal at both ends with a UL approved ground clamp.
5. If a grounded water pipe is not available, a ground rod **MUST** be used and register no more than 25 ohms resistance when in the ground. Drive the rod into the ground outside the dwelling and connect a grounding wire (12 AWG or heavier) between the grounding screw and the grounding rod. It may take more than one ground rod to not exceed 25 ohms resistance to ground.

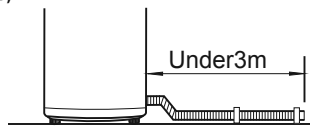


## Water supply requirements

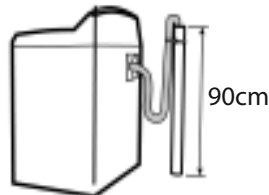
Hot and cold water faucets **MUST** be installed within 42 inches (107 cm) of your washer's water inlet. The faucets **MUST** be 3/4 inch (1.9 cm) with threading for laundry hose connection. Water pressure **MUST** be between 10 psi (0.69 bars) and 73 psi (5.00 bars). Pressure difference between hot and cold cannot be more than 10 psi. Your water department can advise you of your water pressure.

## Drain system requirements

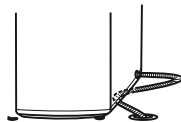
If the water drain hose shall be extended, its length shall not exceed 3 meters, otherwise it will affect the water discharging time.



The Drain hose requires a standpipe 3.8cm inside diameter and with a minimum height of 90cm but less than 110cm connected to the drain line of the house.



Do not bend the drain hose or place it under the washer.

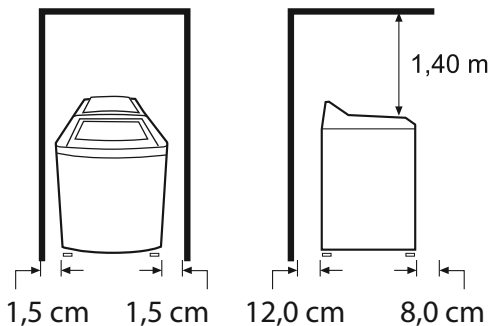


**NOTE** For installations requiring a longer drain hose, have a qualified technician install a longer drain hose (according to your model number) available from an authorized parts distributor. For drain systems in the floor, install a syphon break kit available from your local hardware store.

## Clearance requirements

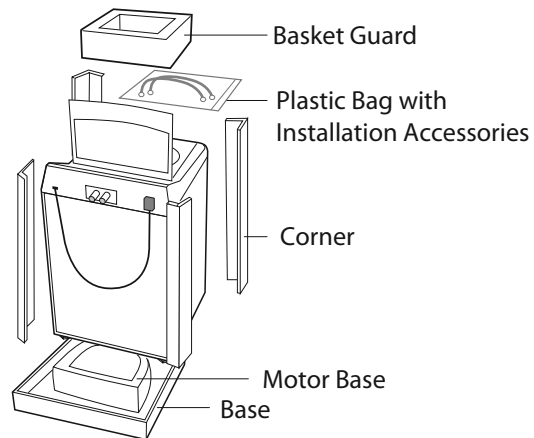
**IMPORTANT** DO NOT INSTALL YOUR WASHER:

1. In an area exposed to dripping water or outside weather conditions. The ambient temperature should never be below 60° F (15.6° C) to maximize detergent effectiveness
2. In an area (garage or garage-type building) where gasoline or other flammables (including automobiles) are kept or stored.
3. On carpet. Floor **MUST** be solid with a maximum slope of 1 inch (2.54 cm).

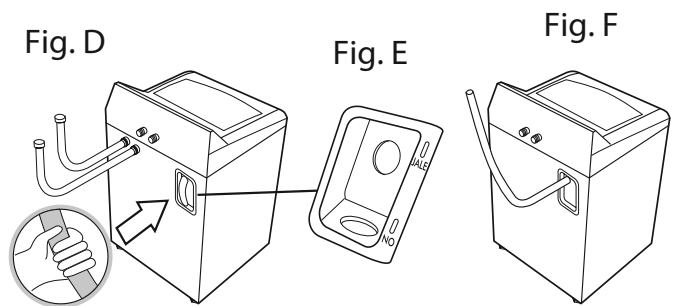


## Unpacking Instructions

Be sure to remove all packaging attachments both the top and the bottom your washer.



The drain hose is located inside your washing machine, to remove it follow these steps:  
The hose is located at the rear of the washer (bottom right), hold the portion hose (fig. D) firmly on the end out and pull the top out (fig. E) to remove it entirely (Fig. F).

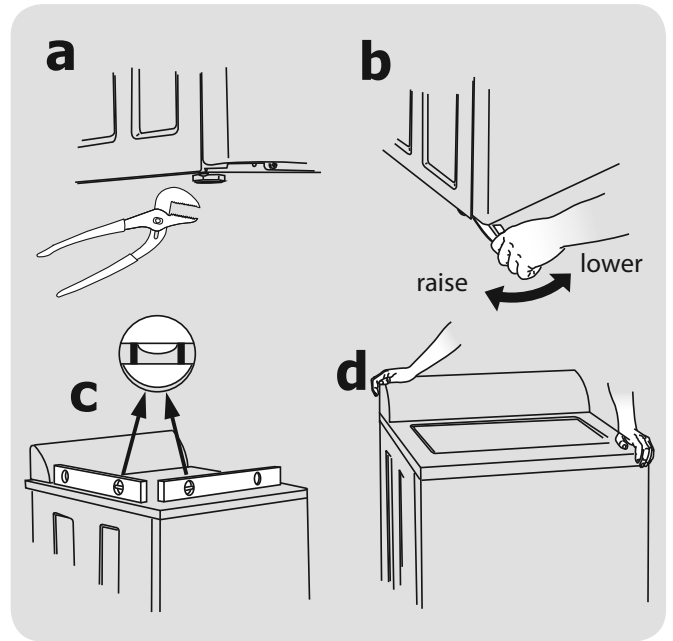


# Installation Instructions

## Leveling your washer

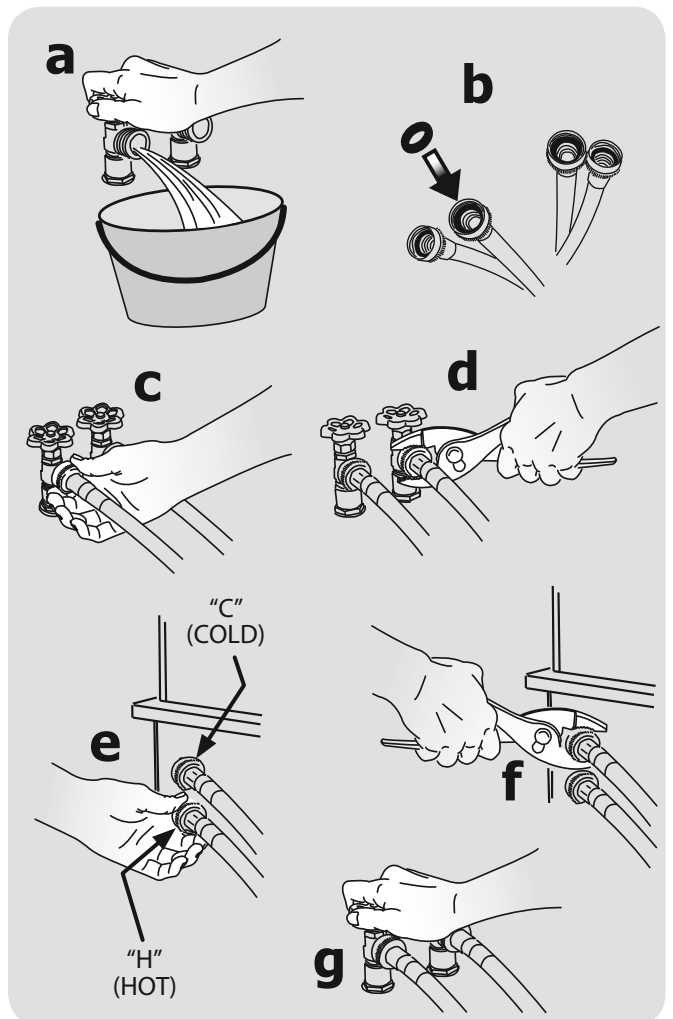
Excessive noise and vibration can be prevented by properly leveling the washer.

1. With the washer within 4 feet (1 m) of its final location, place a level on top of the washer.
2. Use adjustable pliers to adjust the leveling legs so the washer is level front-to-rear and side-to-side, and stable corner-to-corner.
3. Press down on alternate corners and sides and feel for the slightest movement. Adjust the appropriate leg(s) so the washer sits solidly on the floor on ALL four legs. Keep the leveling leg extension at a minimum for best performance of the washer.



## Connecting inlet water

1. Run some water from the hot and cold faucets to flush the water lines and remove particles that might clog the water valve screens and to determine which faucet is hot and which is cold supply.
2. Remove the inlet hoses from plastic bag located in the drum of the washer. (Actual hoses shipped with the washer may differ the pictures shown.)
3. Connect the **HOT\*** inlet hose to the **HOT** inlet connection on the washer and the **COLD** inlet hose to the **COLD** inlet connection on the washer. Do not cross thread or over-tighten these connections.
4. Connect the **HOT** inlet hose to the **HOT** water supply and the **COLD** inlet hose to the **COLD** water supply.
5. Turn on the water and check for leaks.  
\*Hot water inlet may not be available on your washer. Use Cold water inlet only if this is the case.



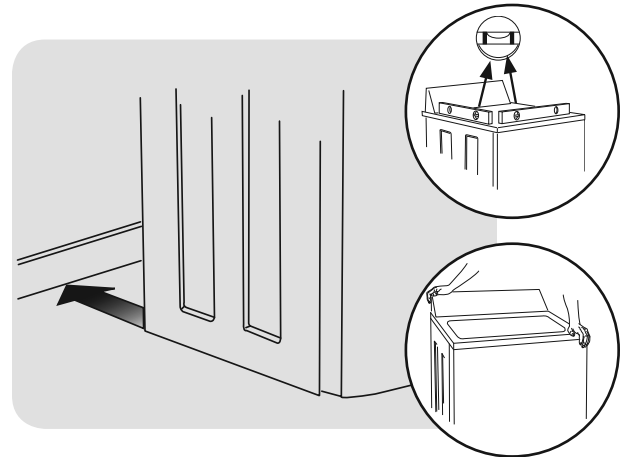
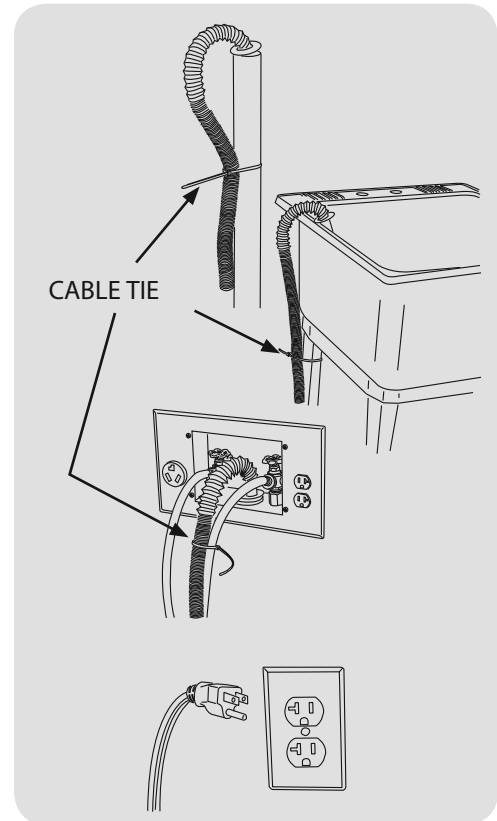
## Connecting drain and electrical

1. Form a "U" shape on the end of the drain hose with the hose pointed toward the drain. Place the formed end in a laundry tub or a standpipe and secure with a cable tie
2. Place the hook end of the drain hose in the drain opening. Secure the drain hose with the cable tie to the standpipe, inlet hose, laundry tub, etc. so the hose does not pull out from the force of the water.

**NOTE** The standpipe inside diameter must be 3.8 cm minimum. There must be an air gap around the drain hose in the standpipe. A snug hose fit can cause a siphoning action.

**IMPORTANT** Check to ensure the power is off at circuit breaker/fuse box before plugging the power cord into outlet.

3. Plug the power cord into a grounded outlet.
4. Turn on the power at circuit breaker/fuse box.
5. Carefully slide the washer to its final position. Recheck for level and rock corners for stability.
6. Read the Use & Care Guide provided with the washer. It contains valuable and helpful information that will save you time and money.
7. Run the washer through a complete cycle, checking for water leaks and proper operation.
8. If you have any questions during initial operation, please review the "Service Prevention Checklist" in your Use & Care Guide before calling for service.
9. Place these instructions in a location near the washer for future reference.



## Replacement parts:

If replacements parts are needed for your washer, contact the source where you purchased your washer.

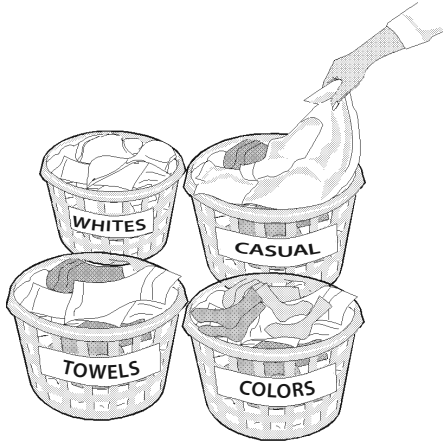
**⚠ WARNING** - ELECTRICAL SHOCK HAZARD - Label all wires prior to disconnection when servicing controls. Wiring errors can cause improper and dangerous operation. Verify proper operation after servicing.



## Washing Procedures

**⚠ WARNING** To reduce the risk of fire, electric shock or injury to persons, read the IMPORTANT SAFETY INSTRUCTIONS in this Use and Care Guide before operating your washer.

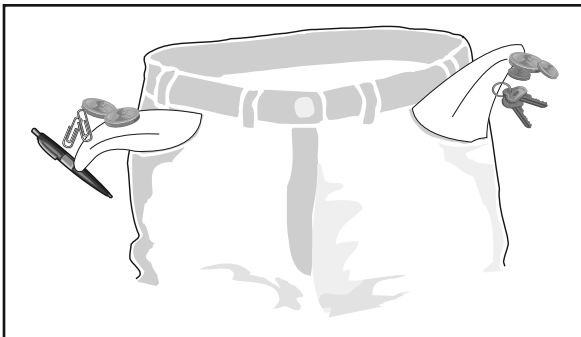
### 1 Sort laundry into loads that can be washed together.



- Sort items by recommended cycle and water temperature.
- Separate white, light and colorfast items from dark and non-colorfast items.
- Separate items that shed lint from items that attract lint. Casual, synthetic, knit, and corduroy items will pick up lint from towels, rugs, and chenille bedspreads.
- Separate heavily soiled items from lightly soiled items.
- Separate lacy, sheer, loosely knit, or delicate items from durable items.
- Do not machine wash items containing fiberglass. Small particles of fiberglass left in the drum may transfer to fabrics in other loads and cause skin irritation.

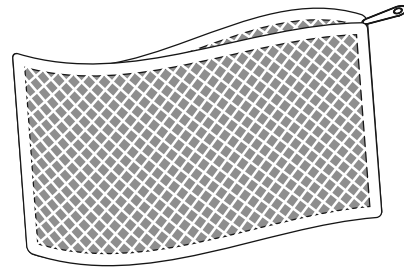
### 2 Prepare items for washing.

- Empty pockets.



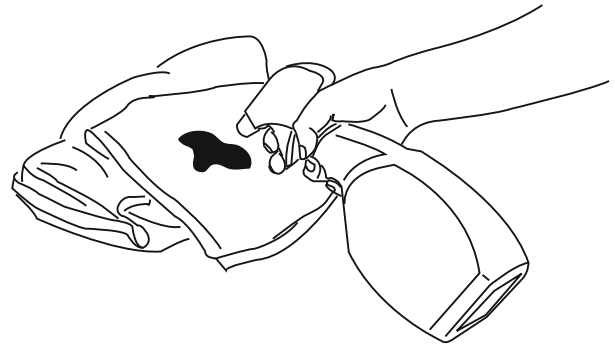
- Brush off lint and dirt. Shake out rugs and beach towels.
- Close zippers, fasten hooks, tie strings and sashes, and remove non-washable trims and ornaments.
- Mend rips and tears to prevent further damage during washing.
- Turn knit items inside out to prevent pilling.

- Place delicate and small items such as bras, hosiery and baby socks in a mesh bag.



(Mesh bag not included.)

### 3 Pretreat stains and heavy soil.



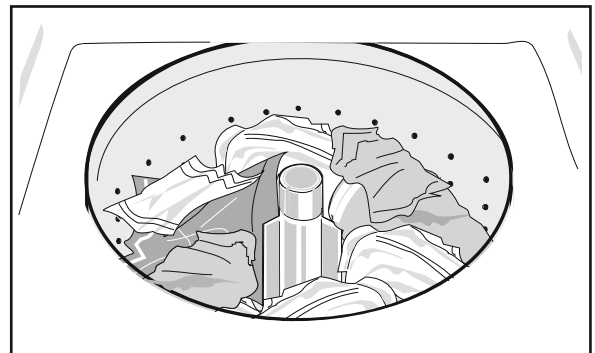
- See Stain Removal Guide in this guide for safe, successful stain removal instructions.

### 4 Add a measured amount of detergent to the wash tub before adding the laundry load.

Follow detergent manufacturer's directions. The amount required depends on type of detergent, load size and soil

### 5 Add laundry load to washer.

- Dry load level should not be higher than the topmost line of holes in the tub. Do not overload the washer.

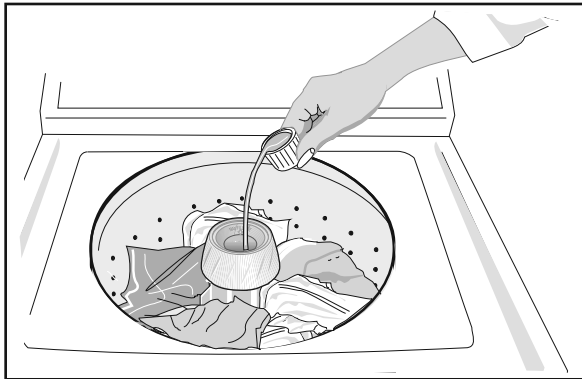


- Do not put items on top of agitator or wrap them around it for Agitator model. Load items evenly.
- Combine large and small items in a load. Load large items first. Large items should not be more than half the total wash load.
- When washing a single heavy item, add 1 or 2 towels to balance the load.

## Washing Procedures, continued

- 6 If desired, add liquid fabric softener to fabric softener dispenser (available on some models).

For models with a built-in dispenser:

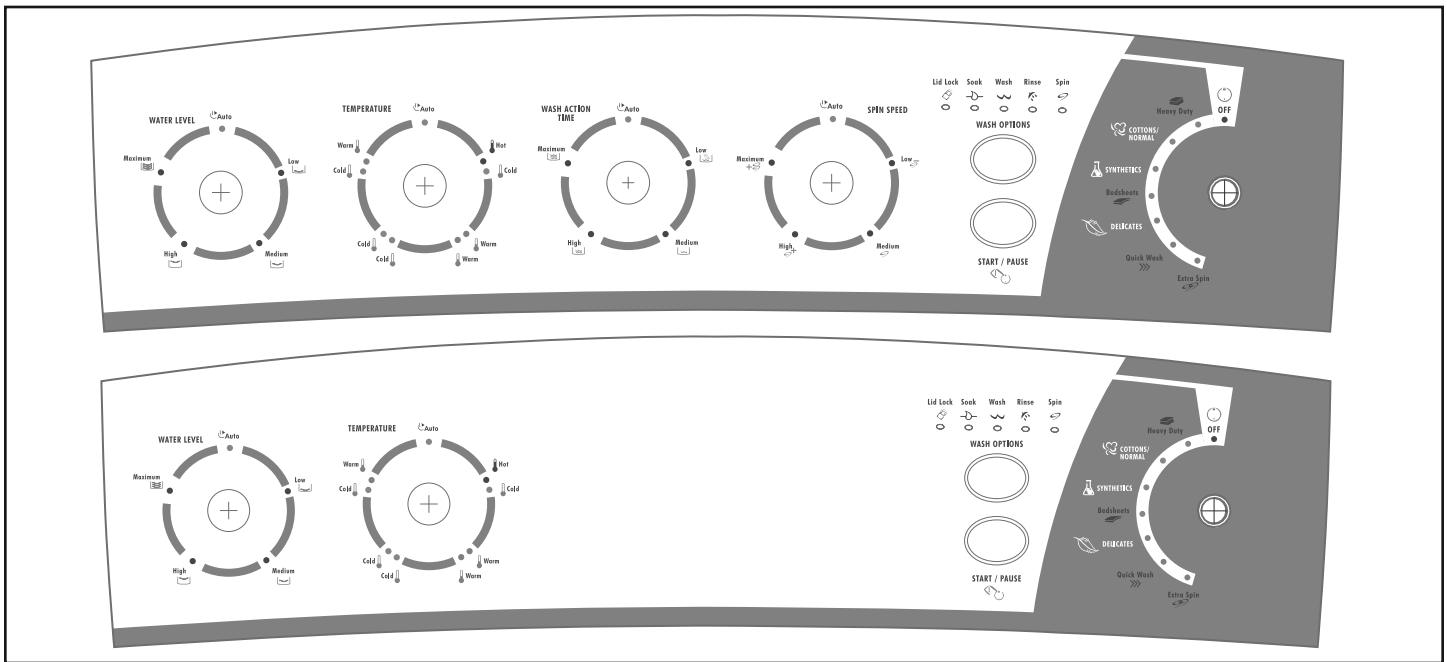


- Add liquid softener to the dispenser, following fabric softener label directions.
- Add water to bring liquid level to fill line on dispenser cap.
- Do not use bleach in this dispenser.

If a build-up of fabric softener occurs, clean with hot water.

- 7 Select cycle and settings according to type, size and soil level of each load.  
See Operating Instructions on next page.
- 8 Close the washer lid and make appropriate selections on the washer control panel. Press Start/Pause button. Use the Start/Pause button to pause machine operation.
- 9 Remove items when the cycle is completed.  
The lid must be closed during spin.
- Place washed items in automatic dryer, line dry, or dry flat as directed by fabric care label. Excess wrinkling, color transfer or odors may develop in items left in the washer after the cycle has ended for an extended period of time.

# OPERATING INSTRUCTIONS



This manual covers many models and not all cycles, options, or features listed are available on every model. Consoles shown above for reference only. Your model may differ.

## Cycle Selection

Turn the Program knob to the desired cycle.  
Push Start/Pause button to Start or Pause the Wash Program.

### Lid Lock

The washing machine has a Lid Lock system to lock the lid during the spin cycle. This prevents any access to moving parts during the spinning of the tub. The Lid Lock light stays illuminated during this cycle. At the end of the cycle, it takes two minutes for the Lid Lock to be de-activated. This is indicated by the Lid Lock light going off.

### Wash Programs

The normal speed and time for each of the wash programs is preset and depends on the cycle you select. The wash programs (except Extra Spin) progress through wash agitation, drain and spin, rinse agitation and final spin.

The spin cycle in the washing machine is specially designed to efficiently extract water from the clothes. For this reason, you may observe that the rotational speed of the tub at the beginning of the spin cycle is low and then ramps up gradually to its full speed.

### Heavy Duty:

For washing heavily soiled clothes. Water level is either High or Medium. Water temperature is Hot for wash and Cold for rinse cycles. This wash program is recommended for denim, jackets, sports bags, raincoats, tablecloths and very dirty rags.

### Cottons/Normal:

This cycle is designed for intense washing of whites or non-fading colored cottons. Water level is either High or Medium when Auto is selected. Water temperature is Warm for wash and Cold for rinse cycles. This program is recommended for shirts, cotton dress shirts, pants, shorts and linen underwear.

### Synthetics:

This wash program takes careful care of colored clothing and synthetic materials. When Auto is selected for Water level, either High or Medium is selected based on load size. Water temperature is selected as Cold for wash and Cold for rinse cycles unless overridden by the user. This wash program is recommended for clothes of synthetic material such as shirts, dress shirts, pants, shorts, pajamas and innerwear.

### Bedsheets:

Specialty wash program designed to handle Bedsheets. Based on the size of the load, either Medium or High Water level is selected when Auto is the selection for Water level. Default water temperature is Warm for wash and Cold for rinse cycles. This wash program is specially designed for quilts, bedsheets and mattress covers (Number of quilts that can be effectively washed depend on the size of the quilts).

### Delicates:

Specialty wash program designed to provide effective cleaning to delicate clothing materials. Water level defaults to either Medium or High. Water temperature is Cold for wash and Cold for rinse to protect the sensitive clothing materials. Recommended for fine garments, fabrics, silks, innerwear and flannel clothing.

The Quick Wash cycle is designed for small load of lightly soiled clothes. An example of a load for Quick Wash cycle is 2 Shirts, 2 T-shirts, 1 Trouser, 1 Sweatshirt and 2 Swimsuits, or 2 Bedsheets, 1 Pillowcase and 1 medium-sized Bath Towel.

Extra Spin cycle is designed to spin clothes washed during the automatic cycles. Care should be taken to ensure that there is no water in the tub when starting an Extra Spin cycle since it can overflow the tub during the spin cycle and lead to catastrophic failure.

## Cycle Settings

### WATER LEVEL

Manual mode: Turn the knob to select the level of water according to the amount of laundry. When selecting manually ensure that the clothes are able to move freely in the amount of water.

Auto mode: This washing machine offers a new and unique Automatic Water Level sensing that saves water by allowing you to wash each load efficiently with the ideal amount of water. The washer begins filling water in the machine until a minimum water level. Then, through a wash agitation, it checks if the water is sufficient for the amount of clothes in the tub. If there is more water required for the load of clothes, the wash agitation stops and water fill starts again until the correct water level is reached.

### CAUTION:

Do not fill the washing machine by direct filling with a hose into the tub. This will cause a malfunction, causing damage to the valves. The washing machine has a sensing system which does not allow water to be filled past the highest level allowable. Exceeding this highest level can lead to water spilling on the floor, danger of short circuit and damage to the washing machine.

### WATER TEMPERATURE

Manual mode: Turn the knob to select the appropriate temperature for the type of garments being washed.

Hot/Cold - Hot water for wash cycle and Cold water for rinsing.

Warm/Warm - Warm water for wash and rinse cycles.

Cold/Cold - Cold water for wash and rinse cycles.

Warm/Cold - Warm water for washing and Cold water for rinsing.

Auto mode: The washer automatically selects the correct temperature for the Wash Program selected.

The following chart suggests wash/rinse temperatures for basic fabric types.

Fabric Type	Water Temperature
Heavily soiled white/colorfast cotton, perm press	Hot/Cold
Normally soiled white/colorfast cotton, perm press	Warm/Cold
Lightly soiled cottons and perm press, noncolorfast fabrics, knits, delicates, hand washables	Cold/Cold
Washable woolens	Warm/Cold

### SPIN SPEED

The spin speeds are designed for each of the cycles to reduce wrinkling of the clothes. If the user chooses to override this setting, selection can be made manually by turning the knob.

### WASH ACTION TIME

For effective washing results, the washing machine increases or decreases the wash agitation time as pre-determined in the Wash Program selected. If the user prefers, he/she can manually adjust the Wash Action Time by rotating the knob.

If your washer does not have this function, the washer provides Wash Action Time for normally soiled clothes, as pre-determined by the Wash Program.

## Operation

Auto mode: To start the machine in automatic mode after you set your machine, press the Start/Pause button. To change the program when the machine is working, press the same button to pause operation, change to the desired program and to start the machine press the Start/Pause button again. Please note that the wash program will start from the beginning.

Manual mode: Manual mode is designed for you to perform the steps of the Wash Program independently. After selecting the Wash Program, press the Wash Option button repeatedly to select the appropriate wash option as indicated by the illuminated light. Press the Start/Pause button to start the operation.

## Cycle Options

### SOAK

This function prior to the wash cycle provides 15 minutes of slow agitation.

### WASH ONLY

This wash option performs wash cycle only. Wash indicator light remains lighted during this cycle. Water in tub at end of this cycle is not drained. Spin light will come on at the end of this cycle.

### RINSE ONLY

First washing machine will perform spin and drain the water. Then, the tub will be filled with fresh clean water for rinsing. Rinse agitation will then take place with the Rinse indicator light staying on during this cycle. Water in tub at end of this cycle is not drained. Spin light will come on at the end of this cycle.

### SPIN ONLY

Washing machine first drains any remaining water in the tub. Spin cycle follows with the Spin light on during and at the end of the cycle.

### WASH AND RINSE ONLY

This wash option first fills the tub with water for wash agitation. At the end of the wash cycle, water is drained. The tub is filled with fresh clean water for the rinse cycle. Rinsing is completed (Rinse indicator light stays on during this cycle). At the end of rinse cycle, Spin light comes on. Water in tub at the end of rinse cycle is not drained.

### WASH AND SPIN ONLY

This wash option first fills the tub with water for wash agitation. Water is drained and spin cycle is started. Spin indicator light stays on at the end of the cycle.

### RINSE AND SPIN ONLY

This wash option starts with draining of tub, followed by water fill for rinse agitation. Water is drained again for the spin cycle.

## Safe Stain Removal Guide

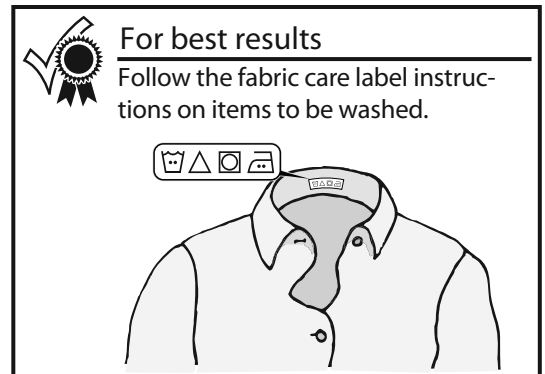
To reduce the risk of fire or serious injury to persons or property, comply with the basic warnings listed below:

- Read and comply with all instructions on stain removal products.
- Keep stain removal products in their original labeled containers and out of children's reach.
- Thoroughly wash any utensils used.
- Do not combine stain removal products, especially ammonia and chlorine bleach. Dangerous fumes can result.
- Never wash items which have been previously cleaned in, washed in, soaked in or spotted with gasoline, dry cleaning solvents or other flammable or explosive substances because they give off vapors that could ignite or explode.
- Never use highly flammable solvents, such as gasoline, inside the home. Vapors can explode on contact with flames or sparks.

### For Successful Stain Removal:

- Remove stains promptly.
- Determine the kind of stain, then follow the recommended treatment in the stain removal chart on the next page.
- To pretreat stains, use a prewash product, liquid detergent, or a paste made from powder detergent and water.
- Use cold water on unknown stains because hot water can set stains.
- Consult care label instructions for treatments to avoid on specific fabrics.
- Check for colorfastness by testing stain remover products on an inside seam.
- Rinse and wash items after stain removal.

**⚠️ WARNING** - HARMFUL VAPOR HAZARD - Do not use or mix liquid chlorine bleach with other household chemicals such as toilet cleaners, rust removers, acid or products containing ammonia. These mixtures can produce dangerous fumes which can cause serious injury or death.



## Stain Removal Suggestions

STAIN	TREATMENT
Adhesive tape, chewing gum, rubber cement	Apply ice. Scrape off excess. Place stain face down on paper towels. Saturate with prewash stain remover.
Baby formula, dairy products, egg	Use product containing enzymes to pretreat or soak stains. Soak for 30 minutes or more. Wash.
Beverages (coffee, tea, soda, juice, alcoholic beverages)	Pretreat stain. Wash using cold water and bleach safe for fabric.
Blood	Rinse with cold water. Rub with bar soap. Or, pretreat or soak with product containing enzymes. Wash using bleach safe for fabric.
Candle wax, crayon	Scrape off surface wax. Place stain face down between paper towels. Press with warm iron until wax is absorbed. Replace paper towels frequently. Treat remaining stain with prewash stain remover. Hand wash to remove solvent. Wash using bleach safe for fabric.
Chocolate	Pretreat or soak in warm water using product containing enzymes. Wash using bleach safe for fabric.
Collar or cuff soil, cosmetics	Pretreat with prewash stain remover or rub with bar soap.
Dye transfer on white fabric	Use packaged color remover. Wash using bleach safe for fabric.
Grass	Pretreat or soak in warm water using product containing enzymes. Wash using bleach safe for fabric.
Grease, oil, tar (butter, fats, salad dressing, cooking oils, car grease, motor oils)	Scrape residue from fabric. Pretreat. Wash using hottest water safe for fabric. For heavy stains and tar, apply nonflammable dry cleaning fluid to back of stain. Replace towels under stain frequently. Rinse thoroughly. Wash using hottest water safe for fabric.
Ink	Some inks may be impossible to remove. Washing may set some inks. Use prewash stain remover, denatured alcohol or nonflammable dry cleaning fluid.
Mildew, scorch	Wash with chlorine bleach if safe for fabric. Or, soak in oxygen bleach and hot water before washing. Badly mildewed fabrics may be permanently damaged.

## Stain Removal Suggestions, continued

STAIN	TREATMENT
Mud	Brush off dry mud. Pretreat or soak with product containing enzymes.
Mustard, tomato	Pretreat with prewash stain remover. Wash using bleach safe for fabric.
Nail polish	May be impossible to remove. Place stain face down on paper towels. Apply nail polish remover to back of stain. Repeat, replacing paper towels frequently. Do not use on acetate fabrics.
Paint, varnish	WATER BASED: Rinse fabric in cool water while stain is wet. Wash. Once paint is dry, it cannot be removed. OIL BASED AND VARNISH: Use solvent recommended on can label. Rinse thoroughly before washing.
Perspiration	Use prewash stain remover or rub with bar soap. Rinse. Wash using nonchlorine bleach in hottest water safe for fabric.
Rust, brown or yellow discoloration	Use rust remover safe for fabric. Do not use chlorine bleach because it may intensify discoloration.
Shoe polish	LIQUID: Pretreat with a paste of powder detergent and water. PASTE: Scrape residue from fabric. Pretreat with prewash stain remover or nonflammable dry cleaning fluid. Rinse. Rub detergent into dampened area. Wash using bleach safe for fabric.
Tomato	Pretreat with prewash stain remover. Wash using bleach safe for fabric.
Urine, vomit, mucus, feces	Pretreat or soak in product containing enzymes. Wash using bleach safe for fabric.
Wine	Pretreat or soak in cold water. Wash in hottest water and bleach safe for fabric

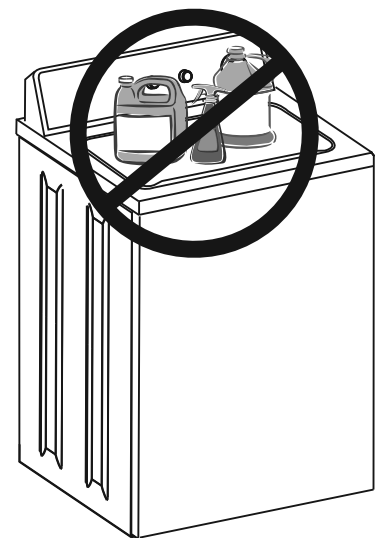
## Care and Cleaning

### Inside

- Remove items from the washer as soon as the cycle ends. Excess wrinkling, color transfer, and odors may develop in items left in the washer.
- Dry the washer top, the area around the lid opening, and the underside of the lid. These areas should always be dry before the lid is closed.
- Before cleaning the washer interior, unplug the electrical power cord to avoid electrical shock hazards.
- When extremely soiled items have been washed, a dirty residue may remain on the tub. Remove this by wiping the tub with a nonabrasive household cleanser. Rinse thoroughly with water.
- The agitator or tub may become stained from fabric dye. Clean these parts with a nonabrasive household cleanser. This prevents dye transfer to future loads.

### Outside

- When washing is completed, wipe top and sides of washer with a damp cloth. Turn water faucets off to prevent pressure build-up in the hoses.
- Clean the cabinet with mild soap and water. Never use harsh, gritty or abrasive cleansers
- If the cabinet becomes stained, clean with diluted chlorine bleach (1 part bleach to 8 parts water). Rinse several times with clear water.
- Remove glue residue from tape or labels with a mixture of warm water and mild detergent. Or, touch residue with the sticky side of tape.
- Before moving the washer, place a strip of cardboard or thin fiberboard under the front leveling legs to prevent damage to the floor.



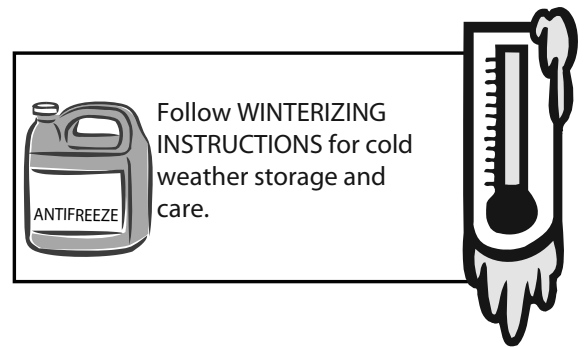
**IMPORTANT** Do not store or place laundry products on top of washer at any time. They can damage the finish or controls.

---

## Winterizing Instructions

**IMPORTANT** If the washer is stored in an area where freezing can occur or moved in freezing temperatures, follow these winterizing instructions to prevent damage to the washer:

1. Turn off water supply faucets.
2. Disconnect hoses from water supply and drain water from hoses.
3. Plug electrical cord into a properly grounded electrical outlet.
4. Add 1 gallon (3.8 L) nontoxic recreational vehicle (RV) antifreeze to empty wash drum. Close lid.
5. Set cycle selector knob at a spin setting. Pull out knob and let washer spin for 1 minute to drain out all water. Not all of the RV antifreeze will be expelled.
6. Push in knob, unplug electrical power cord, dry tub interior, and close lid.
7. Store washer in an upright position.
8. To remove antifreeze from washer after storage, run empty washer through a complete cycle using detergent. Do not add wash load.



## Common Washing Problems

Many washing problems involve poor soil and stain removal, residues of lint and scum, and fabric damage. For satisfactory washing results, follow these suggestions provided by The Soap and Detergent Association.

PROBLEM	POSSIBLE CAUSES	SOLUTIONS	PREVENTIVE MEASURES
Blue stains	<ul style="list-style-type: none"> <li>Undiluted liquid detergent or fabric softener dispensed directly onto fabric.</li> </ul>	<ul style="list-style-type: none"> <li>If caused by detergent, mix 1 cup (240 ml) white vinegar with 1 quart (.95 L) water in a plastic container. Soak item 1 hour. Rinse.</li> <li>If caused by fabric softener, rub stains with bar soap. Wash.</li> </ul>	<ul style="list-style-type: none"> <li>Avoid overfilling detergent and fabric softener compartments of dispenser.</li> </ul>
Discoloration, gray-ing	<ul style="list-style-type: none"> <li>Not enough detergent.</li> <li>Wash water temperature too low.</li> <li>Incorrect sorting.</li> </ul>	<ul style="list-style-type: none"> <li>Rewash with correct amount of detergent and hottest water safe for fabric.</li> <li>Add bleach safe for fabric.</li> </ul>	<ul style="list-style-type: none"> <li>Sort items by soil level and color.</li> <li>Use correct amount of detergent, hottest water and bleach safe for fabric.</li> </ul>
Greasy, oily stains	<ul style="list-style-type: none"> <li>Not enough detergent.</li> <li>Undiluted liquid fabric softener poured directly on fabric.</li> </ul>	<ul style="list-style-type: none"> <li>Treat with prewash stain remover or liquid detergent.</li> <li>Increase detergent and water temperature. Rewash.</li> <li>Rub fabric softener stains with bar soap.</li> </ul>	<ul style="list-style-type: none"> <li>Use correct amount of detergent and hottest water safe for fabric.</li> <li>Do not pour liquid fabric softener directly on fabric.</li> </ul>
Holes, tears, or snags	<ul style="list-style-type: none"> <li>Incorrect use of chlorine bleach.</li> <li>Unfastened zippers, hooks, buckles.</li> <li>Rips, tears and broken threads.</li> <li>Overloading the washer.</li> <li>Degradation of fabric.</li> </ul>	<ul style="list-style-type: none"> <li>May be irreversible if rips, tears and seams cannot be mended.</li> </ul>	<ul style="list-style-type: none"> <li>Never pour chlorine bleach directly on fabric.</li> <li>Check condition of items before washing.</li> </ul>
Lint	<ul style="list-style-type: none"> <li>Incorrect sorting.</li> <li>Tissues left in pocket.</li> <li>Overloading the washer.</li> <li>Not enough detergent.</li> <li>Undissolved detergent has left a residue resembling lint.</li> <li>Static cling is attracting lint.</li> <li>Load washed too long.</li> </ul>	<ul style="list-style-type: none"> <li>Reduce load size. Rewash using correct water temperature, water level, and amount of detergent.</li> <li>Add nonprecipitating water conditioner to wash water to remove detergent residue.</li> <li>Add liquid fabric softener to final rinse.</li> <li>Dry load in dryer.</li> <li>Remove lint with lint brush or roller.</li> </ul>	<ul style="list-style-type: none"> <li>Do not overload washer.</li> <li>Use correct temperature and amount of detergent, water and wash time.</li> </ul>
Pilling (Fibers ball up and cling to fabric.)	<ul style="list-style-type: none"> <li>Pilling is normal with synthetic and permanent press fabrics. This is due to abrasion from normal wear.</li> </ul>	<ul style="list-style-type: none"> <li>Use a lint brush or shaver to remove pills.</li> </ul>	<ul style="list-style-type: none"> <li>Use fabric softener in the washer to lubricate fibers.</li> <li>When ironing, use spray starch or fabric finish on collars and cuffs.</li> <li>Turn items inside out to reduce abrasion.</li> </ul>
Residue or powder on dark items; Stiff, harsh fabrics.	<ul style="list-style-type: none"> <li>Undissolved detergent.</li> <li>Some granular detergents can combine with hard water minerals to form a residue.</li> <li>Overloading the washer.</li> </ul>	<ul style="list-style-type: none"> <li>Rewash load.</li> </ul>	<ul style="list-style-type: none"> <li>Increase water temperature using hottest water safe for fabric.</li> <li>Do not overload washer.</li> <li>Use liquid detergent or use nonprecipitating water conditioner with powder detergent.</li> </ul>
Wrinkling	<ul style="list-style-type: none"> <li>Overloading the washer.</li> <li>Incorrect wash cycle for wash load.</li> </ul>	<ul style="list-style-type: none"> <li>Reduce load size.</li> <li>Rinse in cold water with liquid fabric softener using the casual or delicate cycle.</li> </ul>	<ul style="list-style-type: none"> <li>Do not overload washer.</li> <li>Remove items from washer as soon as cycle is completed.</li> <li>Use liquid fabric softener.</li> </ul>
Yellow buildup of body soil on synthetic fabrics	<ul style="list-style-type: none"> <li>Agitation time too short.</li> <li>Wash water temperature too low.</li> <li>Not enough detergent.</li> </ul>	<ul style="list-style-type: none"> <li>Soak in detergent booster or product containing enzymes.</li> <li>Wash in hottest water safe for fabric using casual cycle.</li> <li>Increase detergent.</li> <li>Add bleach safe for fabric or treat with color remover.</li> </ul>	<ul style="list-style-type: none"> <li>Select correct wash cycle.</li> <li>Use correct amount of detergent.</li> <li>Wash synthetics frequently using hot or warm water.</li> </ul>
Yellow or brown rust stains	<ul style="list-style-type: none"> <li>Iron or manganese in water supply, water pipes, or water heater.</li> </ul>	<ul style="list-style-type: none"> <li>To restore discolored load of whites, use rust remover safe for fabric.</li> <li>Do not use chlorine bleach to remove rust stains. It may intensify discoloration.</li> </ul>	<ul style="list-style-type: none"> <li>Use nonprecipitating water softener.</li> <li>Before washing, run hot water for a few minutes to clear lines.</li> <li>Drain water heater occasionally.</li> <li>For an ongoing problem, install an iron filter in your water supply system.</li> </ul>



## Avoid Service Checklist

Before calling for service, review this list. It may save both time and expense. The list includes common occurrences that are not the result of defective workmanship or materials in this washer.

OCCURRENCE	POSSIBLE CAUSE	SOLUTION
<b>OPERATING</b>		
Washer does not start.	Electrical power cord may not be plugged in or connection may be loose.	Make sure plug fits tightly in wall outlet.
	House fuse blown, circuit breaker tripped, or a power outage has occurred.	Reset circuit breaker or replace fuse. Do not increase fuse capacity. If problem is a circuit overload, have it corrected by a qualified electrician. If problem is a power outage, call local electric company.
	Water supply faucets are not turned on or the water pressure is too low.	Turn on water supply faucets. Check water pressure.
Washer won't spin correctly.	Lid is not completely closed. Clothes are piled largely at one side of tub or machine is overloaded.	Close washer lid. Internal computer will self-correct unbalanced condition, if equipped with this feature. If this auto-correction cannot resolve the problem, then the user has to manually adjust the load.
	Washer is not level. Motor belt is loose.	Level washer. Call Service Technician.
Residue left in drum.	Heavily soiled items.	Wipe drum with a nonabrasive household cleanser, then rinse. Shake or brush excess dirt and sand from items before washing
<b>WATER</b>		
Wash load too wet after spin.	Washer is overloaded.	Do not overload washer.
	Load is out of balance.	Rearrange load if computer generated corrections do not correct the problem for washers equipped with this feature.
	Drain hose is kinked.	Straighten drain hose.
Water does not enter washer or it enters slowly.	Water supply is not adequate in area.	Check another faucet in the house. Wait until water supply and pressure increase.
	Water supply faucets are not completely open.	Fully open hot and cold faucets.
	Water is being used elsewhere in the house.	Water pressure must be at least 10 psi (69 kPa). Avoid running water elsewhere while washer is filling.
	Water inlet hoses are kinked.	Straighten hoses.
Water level does not cover load.	Improper water level selection	Select higher water level.
	Washer is overloaded.	Do not overload washer. Dry load level should not be higher than the topmost holes of the tub.
Warm or hot water is not hot enough.	Hot water heater is set too low or is a distance from washer.	Measure hot water temperature at nearby faucet with candy or meat thermometer. Water temperature should be at least 120°F (50°C). Adjust water heater as necessary.
	Hot water is being used elsewhere in the house.	Avoid using hot water elsewhere before or during washer use. There may not be enough hot water available for proper cleaning. If problem persists, your hot water system may be unable to support more than 1 use at a time.
Water in washer does not drain or drains slowly.	Drain hose is kinked or clogged.	Clean and straighten the drain hose.
Water leaks.	Loose fill hose connection at faucet or washer	Check and tighten hose connections. Install rubber sealing washers provided.
	House drain pipes are clogged.	Unclog drain pipes. Contact plumber if necessary.
Incorrect wash and rinse temperatures.	Hot and cold water hoses are connected to wrong supply faucets.	Connect hot water hose to hot water faucet and cold water hose to cold water faucet.

OCCURRENCE	POSSIBLE CAUSE	SOLUTION
<b>FUNCTION</b>		
Lid of washer will not open.	Washer in Spin cycle. Safety feature prevents opening of the lid.	Wait for completion of Spin cycle. Please note that it takes about 2 minutes for deactivation of lid lock after completion of Spin cycle.
Agitator moves slowly.	This is normal with the Sensing function. There is clothing stuck on Agitator. Wrong Wash Program is selected.	Sensing function ensures gentle wash for your clothes. Rearrange the clothes. Choose the Wash Program appropriate for the type of clothing.
Agitator moves very slowly during Soak cycle.	This is normal for Soak cycle.	This is normal soaking agitation at a slow rate for 15 minutes, giving improved washing results.
<b>PERFORMANCE</b>		
Yellow or Gray clothes.	Not enough detergent. Hard water. Water is not hot enough. Little water in tub. Detergent does not dissolve. Transfer of dye.	Use more detergent. Use a water softener. Check the heater control. Check that the Water Level selector matched the size of the load. Add detergent the same time the machine is filling water. Sort colored clothing from whites. Check if the garment label indicates that the dye may run.
Lint or soap residue on clothes.	Misclassification of clothing.  Washing time too long. Detergent does not dissolve.  Washer overloaded.  Improper use of detergent.	Separate clothes that produce lint (pants, towels) and those that collect the lint (cotton and polyesters). Wash small loads for shorter time. Add detergent while water is filling the tub before loading the clothes. Use liquid detergent and use hottest water. Load clothes no higher than the last line of holes in the wash tub. Check the water level corresponding to the loaded clothes. Remove items from the tub or add more water. Follow the manufacturer's instructions and use the detergent dispenser (if washer is equipped with one).
Too much wear of clothes.	This can sometimes happen with mixture of polyester and cotton garments. Pins, belt buckles, sharp objects in pockets.  Undiluted bleach.  Chemicals on clothing.	While the washer is not the cause, it may slow down the rollover of the clothes. Fasten the hooks, zippers and close sharp buttons. Turn knits inside out. See manufacturer's instructions for using correct amounts. Never use undiluted bleach for washing. Rinse items that have these chemicals separately before placing in the tub.
Too much wrinkling.	Misclassification of clothing. Overloading or water level incorrect.  Washing and Drying cycles incorrect. Repeated washing in water	Avoid mixing heavy items with lighter items. Use fabric softener. Load the washer in a manner that allows clothes to move freely in the water. Set the appropriate cycle for the fabric you are washing. Wash in warm or cold water.
Too much foam.	Check the type of detergent.  Very soft water. Too much detergent.	Use a low sudsing detergent and follow the manufacturer's instructions. Use less detergent. Carefully measure detergent.

---

# Notes

---

## Notes

# الغسالة ذات التعبئة العلوية دليل الاستخدام والعناية

١٢,١ كجم، ١٤ كجم، ١٦ كجم

جهد ٢٢٠-٢٤٠ فولتًا وتردد ٥٠ هرتز

جهد ٢٢٠-٢٤٠ فولتًا وتردد ٦٠ هرتز

## جدول المحتويات

١٢-١١	تعليمات التشغيل	٢	تسجيل المنتج
١٤-١٣	دليل إزالة البقع	٣-٢	إرشادات هامة حول السلامة
١٤	العناية والتنظيف	٤	إرشادات التركيب
١٥	استخدام الغسالة في الشتاء	٤	إرشادات هامة حول السلامة
١٦	مشاكل الغسيل الشائعة	٤	المواصفات الفنية
١٨-١٧	قائمة الفحص لتجنب طلب الصيانة	٦-٥	متطلبات التركيب
٢٠-١٩	ملاحظات	٦	إرشادات تفريغ العبوة
		٨-٧	إرشادات التركيب
		٨	قطع الغيار
		١٠-٩	خطوات الغسيل

## سجل المنتج

اقرأ كل التعليمات قبل استخدام هذا الجهاز. يحتوي هذا الكتيب على معلومات قيمة حول ما يلي:

- التشغيل
- العناية
- الخدمة

برجاء الاحتفاظ به في مكان آمن.

يوفر لك دليل الاستخدام والعناية هذا بعض التعليمات العامة لتشغيل الغسالة. كما يحتوي على معلومات عن مزايا بعض الطرز الأخرى. وقد لا تحتوي غسالتك على كل المزايا المذكورة. لا تستخدم الغسالة سوى بالطريقة التي وردت في دليل الاستخدام والعناية هذا.

اقرأ هذه التعليمات ثم احفظها  
قم بتسجيل رقم الطراز ورقم التسلسل

يوجد رقم الطراز ورقم التسلسل الخاص بك على لوحة تسلسل الغسالة. سجل هذين الرقمين واحتفظ بهما.

رقم الطراز \_\_\_\_\_

رقم التسلسل \_\_\_\_\_

تاريخ الشراء \_\_\_\_\_

## إرشادات هامة حول السلامة

**تحذير!** لتقليل مخاطر نشوب الحريق أو التعرض للصدمات الكهربائية أو أية إصابات قد يتعرض لها الأفراد عند استخدامهم لهذه الغسالة، عليك الالتزام بالتحذيرات الأساسية الواردة أدناه. وقد يؤدي عدم الالتزام بهذه التحذيرات إلى وقوع إصابات جسدية خطيرة. فقد تفقد حياتك أو تتعرض لإصابات خطيرة في حالة عدم اتباع الإرشادات الهامة حول السلامة:

### التعرف على رموز السلامة ومفرداتها وتسمياتها

سيشار إلى عناصر السلامة في هذا الدليل بعبارة "تحذير" أو "تنبيه" وفقاً لنوع الخطر كما هو موضح أدناه:

**تحذير!** يحذرك هذا الرمز من المخاطر التي قد ينتج عنها إيذاء جسدي خطير أو حدوث وفاة أو خسائر في الممتلكات.

**تنبيه!** يحذرك هذا الرمز من المخاطر التي قد تنتج عنها إصابات جسدية أو خسائر في الممتلكات.

### احتفظ بهذه التعليمات كمرجع لك في المستقبل.

**ملحوظة** التعليمات الواردة بدليل الاستخدام والعناية هذا ليست لإعطاء وصف لكل المواقف والحالات الوارد حدوثها؛ ولذلك يجب اتباع الإرشادات والتحذيرات عند تركيب أي جهاز أو تشغيله أو صيانته.

### منع نشوب الحريق

- لا تغسل الأغراض التي تم تنظيفها أو نقعها أو تقيعها مسبقاً بداخل الغسالة بالبنزين أو بمساحيق التنظيف أو بالكبروسين أو بزيت الطعام أو بالشمع، إلخ. ونصح كذلك بعدم تخزين هذه الأغراض فوق الغسالة أو بالقرب منها. فهذه المواد تنتج أبخرة أو تفاعلات كيميائية قابلة للاشتعال أو للانفجار.
- لا تضع ملابس أو خرق زيتية أو مشحمة فوق الغسالة. إذ تنتج هذه المواد أبخرة يمكن أن تتسبب في إحراق الملابس.
- لا تصف البنزين أو مساحيق تنظيف أو غير ذلك من المواد الملتصبة إلى مياه الغسيل. إذ تنتج هذه المواد أبخرة يمكن أن تشتعل أو تنفجر.
- في بعض الحالات الخاصة، قد ينبعث غاز الهيدروجين أثناء استخدام نظام الماء الساخن إذا ترك لمدة أسبوعين أو أكثر. ويعتبر غاز الهيدروجين غازاً قابل للاشتعال. فإذا لم يُستخدم هذا النظام خلال تلك الفترة، فافتح صانابير المياه الساخنة قبل استخدام الغسالة، واترك المياه تتدفق من كل واحد منها لعدة دقائق. وسوف ينتج عن هذا انبعاث أي غاز هيدروجين متجمع داخل الغسالة. ونظراً لأن غاز الهيدروجين مادة قابلة للاشتعال، لا يصح أن تدخن أو تستخدم شعلة من اللهب خلال هذا التوقيت.
- لا تستخدم أو تخزن البنزين أو أية أبخرة أخرى قابلة للاشتعال أو سوائل بالقرب من هذا الجهاز أو غيره من الأجهزة.
- قد يؤدي عدم الالتزام بهذه التحذيرات إلى نشوب حريق أو انفجار أو وقوع إصابات جسدية خطيرة و/أو إلحاق الضرر بالأجزاء البلاستيكية أو المطاطية للغسالة.

## إرشادات هامة حول السلامة، يتبع

### حماية الأطفال

- لا تسمح للأطفال باللعب فوق الغسالة أو العبث بها؛ ولهذا ننصح بضرورة مراقبة الأطفال عندما يكونون على مقربة منها. وعندما يكبر طفلك، احرص على تعليمه طرق الاستخدام الآمن والصحيح للأجهزة.
- **تحذير** يجب مراقبة الأطفال الصغار طوال الوقت لضمان سلامتهم.
- قم بتمزيق صناديق الكرتون وأكياس البلاستيك وغيرها من الأشياء الموجودة بداخل الغسالة بعد الانتهاء من تفرغها. فمن الممكن أن يستخدمها الأطفال للعب بها.
- ومن الممكن استخدام صناديق الكرتون كحجرات محكمة الغلق إذا تمت تغطيتها بالبطاطين أو بأغطية الأسرة أو بالمفارش البلاستيكية.
- احرص على أن تظل مساحيق الغسيل بعيدة عن متناول طفلك. لتجنب وقوع أية إصابات، اقرأ كل التحذيرات الموجودة على ملصق المنتج.
- قبل الاستغناء عن خدمات الغسالة أو التخلص منها، قم بفك باب الغسالة لمنع وقوع أي حادث عرضي.
- قد يؤدي عدم الالتزام بهذه التحذيرات إلى وقوع إصابات جسدية خطيرة.
- **تحذير** هذا الجهاز غير مخصص للاستخدام من قبل الأشخاص (يشمل ذلك الأطفال) محدودى القدرات الحركية أو الحسية أو العقلية أو الذين لديهم نقص في المعرفة أو الخبرة، إلا إذا تم ذلك تحت الإشراف أو بعد توجيههم بالإرشادات اللازمة لاستخدام الجهاز بواسطة شخص مسؤول عن سلامتهم.

### تجنب حدوث إصابات

- لمنع مخاطر حدوث صدمات كهربائية ولضمان الاستقرار خلال التشغيل، يجب أن يتولى أمر تركيب الغسالة وتأريضها أحد الأفراد المؤهلين لذلك بما يتناسب مع القوانين المحلية. وقد تم لصق إرشادات التركيب على الغسالة لتكون مرجعاً لمن يقوم بالتركيب. راجع "إرشادات التركيب" للتعرف على خطوات التأريض بالتفصيل. إذا تم نقل الغسالة إلى مكان جديد، فاطلب من أحد أفراد الخدمة المعتمدين أن يقوم بتركيبها وفحصها من جديد.
- يجب توصيل سلك التيار الكهربائي الخاص بالغسالة بمأخذ التيار ثلاثي الفتحات المستقطب والمؤرض بشكل صحيح، وذلك لتجنب وقوع إصابات للأفراد أو حدوث تلف بجسم الغسالة. ويجب عدم نزع القابس المؤرض ثلاثياً أبداً. لا توصل طرف الغسالة الأرضي بمواسير الغاز. ولا تستخدم قابس تحويل أو سلك تمديد. احرص على تنظيف القابس الكهربائي من الغبار والأوساخ باستمرار وذلك لتجنب حدوث فشل في الاتصال. وأدخل القابس الكهربائي بمأخذ التيار بشكل كامل.
- انزع القابس من مأخذ التيار إذا كانت الغسالة ليست قيد الاستخدام. لا توصل سلك التيار الكهربائي أثناء فصل القابس عن التيار. ولا توصل القابس أو تفصل الكهرباء عنه ويترك مبللة حتى لا تتعرض لصدمة كهربائية.
- اتبع توجيهات الملصق عند استخدامك لمساحيق الغسيل. حيث إن الاستخدام الخاطئ لهذه المساحيق قد ينتج عنه انبعاث غازات سامة تتسبب في إحداث إصابات خطيرة أو وفاة.
- لا تستخدم أكثر من مسحوق للغسيل في كل كمية غسيل ما لم يكن ذلك وارداً على الملصق.
- لا تمزج مبيض الكلور بغاز الأمونيا أو بالأحماض كالخل مثلاً.

### تحذير

- خطر التعرض للأبخرة الضارة - لا تستخدم مبيض الكلور السائل أو تخلطه بمواد كيميائية منزلية أخرى مثل منظفات المراحيض، ومزيلات الصدا والأحماض أو غيرها من المساحيق التي تحتوي على غاز الأمونيا. فقد يؤدي هذا المزج إلى انبعاث أبخرة قد تتسبب في إصابات جسيمة أو وفاة.



### تحذير

ينبغي أن تكون هناك تهوية كافية لتجنب عودة تدفق الغازات داخل الحجرية من الأجهزة التي تحرق أنواعاً أخرى من الوقود بما في ذلك مواقد التدفئة.

### منع وقوع إصابات جسدية للأفراد أو تلف بجسم الغسالة

- لمنع وقوع إصابات جسيمة للأفراد أو تلف بجسم الغسالة اتبع ما يلي:
- يجب أن تتم كل الإصلاحات والخدمات على أيدي أفراد الخدمة المعتمدين ما لم يوصى دليل الاستخدام والعناية بغير ذلك. لا تستخدم سوى قطع المصنع المسموح بها فقط.
- لا تعبث بأجهزة التحكم.
- لا تضع الغسالة أو تخزنها في مكان معرض للهواء.
- لا تضع الغسالة فوق سجاد. ولكن ضعها فوق أرضية صلبة. ننصح بأن تكون الأرضية التي توضع عليها الغسالة ثابتة لضمان عدم حدوث اهتزاز أو حركة للغسالة.
- لتقليل مخاطر التعرض لصدمات كهربائية، افصل التيار الكهربائي عن الجهاز قبل الشروع في إجراء أية صيانة. حيث إن تحويل الغسالة إلى الوضع "إغلاق" لا يعني عدم وصول التيار الكهربائي إليها.
- لتجنب التعرض لأية إصابة، لا تقترب من الغسالة أثناء تحريك جسم الغسالة. قبل وضع الملابس في الغسالة أو تفرغها منها أو إضافتها، اضغط على مفتاح اختيار الدورة وتأكد من توقف أسطوانة الغسالة تماماً قبل أن تدخل يدك فيها.
- قد يؤدي عدم الالتزام بهذه التحذيرات إلى وقوع إصابات جسدية خطيرة.
- لا تشطف الجهاز بالماء مباشرة عند تنظيفه. لا تضع على الغسالة شمعة محروقة أو مبيداً كهربائياً للحشرات أو مراوح تلطيف الهواء أو غيرها من مصادر التسخين.
- **تحذير** - خطر التعرض للصدمات الكهربائية أو للحرق - تجنب التعرض للصدمات الكهربائية أو للحرق. لا تستخدم قابس تحويل أو سلك تمديد، وكذلك لا تنزع قابس التأريض من سلك التيار الكهربائي. قد يؤدي عدم الالتزام بهذه التحذيرات إلى التعرض لإصابات خطيرة أو نشوب حريق أو وقوع وفاة.

## إرشادات التركيب

### إرشادات هامة حول السلامة

**تحذير** ⚠️ حفاظًا على سلامتك، يجب أن تتبع المعلومات الواردة في هذا الدليل لتقليل مخاطر نشوب حريق أو حدوث انفجار أو التعرض لخسائر في الممتلكات أو الأرواح ولتجنب وقوع إصابات خطيرة. لا تستخدم أو تخزن البنزين أو أية أبخرة أخرى قابلة للاشتعال أو سوائل بالقرب من هذا الجهاز أو غيره من الأجهزة.

**تحذير** ⚠️ اقرأ كل المعلومات التالية قبل تركيب هذا الجهاز أو استخدامه:

- قم بتمزيق صناديق الكرتون وأكياس البلاستيك بعد الانتهاء من تفريغ الغسالة. فمن الممكن أن يستخدمها الأطفال للعب بها. ويمكن أن تستخدم صناديق الكرتون المغطاة بالبطاطين أو بأغطية الأسرة أو بالمفارش البلاستيكية كحجرات محكمة الغلق يستخدمها الأطفال في لعبهم وتكون سببًا في إصابتهم بالاختناق. ولذلك فإننا ننصح بوضع كل هذه الأشياء في حاوية القمامة أو جعلها بعيدًا عن متناول الأطفال.
- يجب أن تتوافق الصيانة الكهربائية للغسالة مع القوانين والتشريعات المحلية.
- استعن بأكثر من فرد في نقل الغسالة أو رفعها، لتجنب التعرض لآلام الظهر أو لآية إصابة.
- التعليمات الواردة بهذا الدليل أو غيره من الوثائق المدرجة مع الغسالة ليست لإعطاء وصف لكل المواقف والحالات الوارد حدوثها؛ ولهذا يجب اتخاذ بعض الخطوات والتنبهات الخاصة بالعمل الآمن عند تركيب أي جهاز أو تشغيله أو صيانته.

### التعرف على رموز السلامة ومفرداتها وتسمياتها

سيشار إلى عناصر السلامة في هذا الدليل بعبارة "تحذير" أو "تنبيه" وفقًا لنوع الخطر كما هو موضح:

**تحذير** ⚠️ يحذرك هذا الرمز من المخاطر التي قد ينتج عنها إيذاء جسدي خطير أو حدوث وفاة أو خسائر في الممتلكات.

**تنبيه** ⚠️ يحذرك هذا الرمز من المخاطر التي قد تنتج عنها إصابات جسدية أو خسائر في الممتلكات.

**احتفظ بهذه التعليمات كمرجع لك في المستقبل.**

## المواصفات الفنية

جهد ٢٢٠-٢٤٠ فولتًا وتردد ٥٠ هرتز، جهد ٢٢٠-٢٤٠ فولتًا وتردد ٦٠ هرتز	الجهد الكهربائي [V]
٨ أمبير	الحمل الموصل
١٠ أرطال (٠,٦٩ بار) - ٧٣ رطلاً (٥,٠٠ بار)	ضغط المياه
قطن، ١٢,١ كجم، ١٤ كجم، ١٦ كجم	الحد الأقصى من الملابس الجافة



## متطلبات التركيب

مقبس المأخذ - يجب تحديد مقبس مؤرّض بشكل صحيح حتى يتسنى توصيل سلك التيار الكهربى به عند الانتهاء من تركيب الغسالة.

### متطلبات النظام الكهربائى

مصدر الطاقة - من النوع ثنائى السلك بجهد كهربى قدره ٢٢٠-٢٤٠ فولت وبتردد ٦٠ هرتز للتيار المتردد، أو من النوع ثنائى السلك بجهد كهربى قدره ٢٢٠-٢٤٠ فولت أحادى الطور وبتردد ٥٠ هرتز للتيار المتردد.

**ملحوظة** لا يلزم استخدام مقبس قاطع التيار عند وقوع خطأ فى التأريض (GFI).

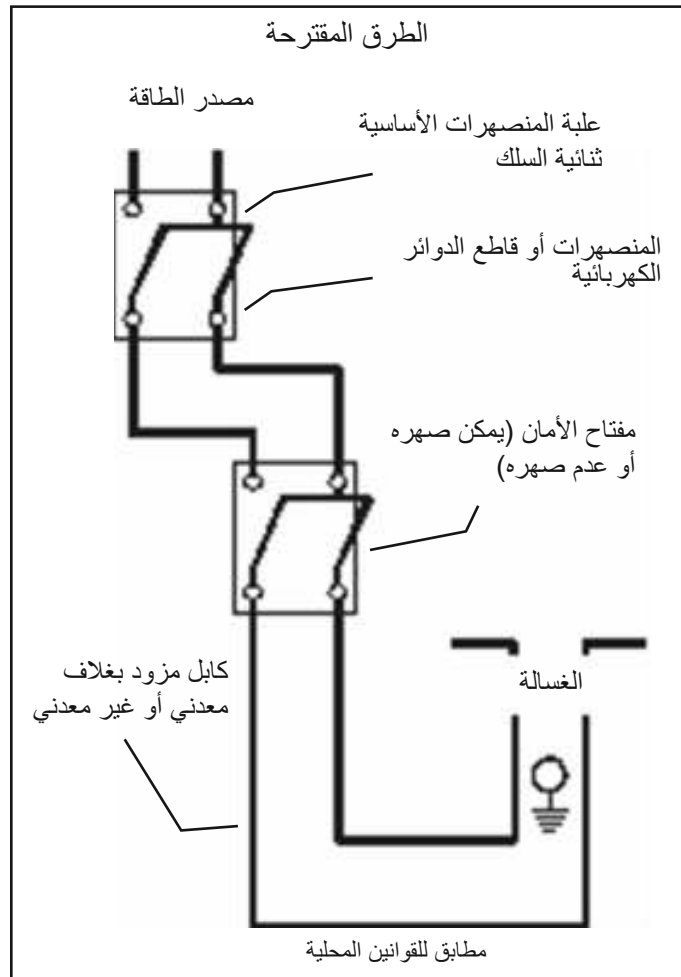
### ملحوظة

لا نوصى باستخدام الطاقة الصادرة من مولدات الغازات أو من مولدات الطاقة الشمسية أو طاقة الرياح أو غير ذلك من المولدات فى تشغيل هذه الغسالة إلا إذا أوصت بها شركة المرافق المحلية وذلك لاحتتمالية وجود فرق فى الجهد.

## متطلبات التأريض

### تحذير

خطر التعرض لصدمات كهربائية - قد ينتج عن التوصيل الخاطى لموصل التأريض بالجهاز التعرض لصدمات كهربائية. فإذا كنت فى شك إذا كان الجهاز قد تم تأريضه بشكل صحيح أم لا، فاستعن بأحد الفنيين.

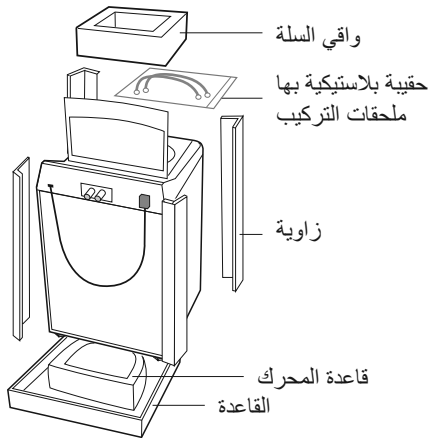


- ١- يجب تأريض الغسالة. فى حال حدوث عطل فى الغسالة أو خلل ماء، فسوف يقلل التأريض من خطر وقوع صدمات كهربائية؛ حيث ينشئ مساراً معيماً يقاوم التيار الكهربائى.
- ٢- وحيث إن الغسالة مزودة بسلك تيار كهربائى به موصل وقابس لتأريض للمعدات، يجب أن يكون القابس موصلأ بأخذ تيار مناسب ملحق به سلك نحاسى على أن يكون هذا المأخذ قد تم تأريضه وتركيبه بشكل صحيح بما يتناسب مع القوانين والمراسم المحلية أو مع آخر ما ورد لهيئة الترميز الكهربائى العالمية، وذلك فى حالة عدم وجود قوانين محلية. وإذا كنت فى شك من ذلك، فاتصل بأحد الفنيين المعتمدين فى الكهرباء. لا تقطع محور التأريض الموجود بسلك التيار الكهربائى أو تغيّره. فى حالة وجود مقبس كهربائى بفتحتين، سيتعين على مالك الغسالة أن يستعين بأحد الفنيين المعتمدين فى الكهرباء ليستبدله بمقبس كهربائى مؤرّض بشكل صحيح.
- ٣- لضمان مزيد من السلامة للأفراد، قم بتوصيل سلك أرضى منفصل (بطول ١٨ مم) من مسمار المفصلات اللولبية للوحة العلوية فى الجزء الخلفى من الغسالة بماسورة مياه باردة مؤرّضة. ولا توصله بماسورة إمداد الغاز أو بماسورة مياه ساخنة.
- ٤- يجب أن تكون ماسورة المياه الباردة المؤرّضة متصلة بالتأريض الكهربائى ويجب ألا تسجل مقاومة أكبر من ٢٥ أوم. ويجب ألا تتخللها أية موصلات بلاستيكية أو مطاطية عازلة أو غير ذلك من الموصلات الكهربائى كالخرطوم والوصلات والمنظفات والجوانات (بما فى ذلك عدادات ومضخات المياه). ويجب أن يبلغ طول أي موصل معزول كهربائياً نفس طول السلك النحاسى رقم ٤ المثبت بإحكام على طرفى المعدن العارى بواسطة مشبك تأريض يتوافق مع معايير UL.
- ٥- إذا تعذر العثور على ماسورة مياه مؤرّضة، يجب استخدام قضيب تأريض على ألا تزيد مقاومته على ٢٥ أوم عندما يكون مؤرّضاً. حرّك القضيب إلى خارج منزلك ثم صل سلك تأريض (رقمه ١٢ بحسب المقياس الأمريكى لأقطار الأسلاك أو أكبر) بين مسمار التأريض وقضيبه. قد يتطلب الأمر أكثر من قضيب تأريض لا تزيد مقاومته على ٢٥ أوم.

## شروط التزويد بالمياه

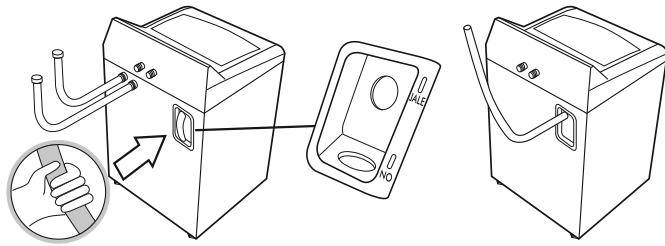
## إرشادات التفريغ

تأكد من إزالة جميع الملحقات الموجودة فوق الغسالة وتحتها.



يوجد خرطوم التصريف داخل جسم الغسالة؛ لإخراجه اتبع الخطوات التالية:  
يوجد الخرطوم في الجزء الخلفي من الغسالة (الجزء السفلي الأيمن)؛ أمسك الجزء البارز (الشكل د) بقوة واسحبه للخارج (الشكل هـ) لإخراجه بالكامل (الشكل و).

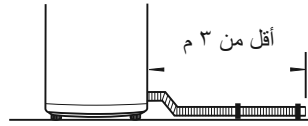
الشكل د الشكل هـ الشكل و



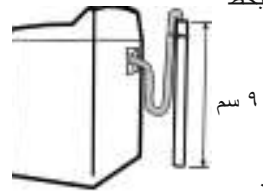
يجب أن تكون صنابير المياه الساخنة والباردة مثبتة على مسافة ٤٢ بوصة (١٠٧ سم) من مدخل المياه في غسالتك. يجب أن تكون الصنابير ٤/٣ بوصة (١,٩ سم) وأن يكون بها فتحة لتوصيل خرطوم الغسالة. يجب أن يكون ضغط المياه ما بين ١٠ أرطال (٦٩ بار) و ٧٣ رطلاً (٥٠٠ بار). وكذلك يجب ألا يزيد الفارق بين ضغط المياه الساخنة والباردة على ١٠ أرطال. يمكن لقسم المياه بالشركة أن يخبرك بضغط المياه في بيتك.

## متطلبات نظام الصرف

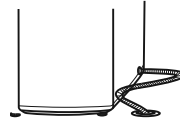
إذا كان خرطوم مياه الصرف في الغسالة من النوع الممتد، يجب ألا يزيد طوله على ٣ أمتار، وإلا سينتج عنها إهدار الكثير من الوقت.



يتطلب خرطوم التصريف وجود ماسورة عمودية قطرها الداخلي ٣,٨ سم وارتفاعها لا يقل عن ٩٠ سم ولا يزيد عن ١١٠ سم وموصلة بخط تصريف المنزل.



لا تثني خرطوم صرف المياه أو تضعه تحت الغسالة.

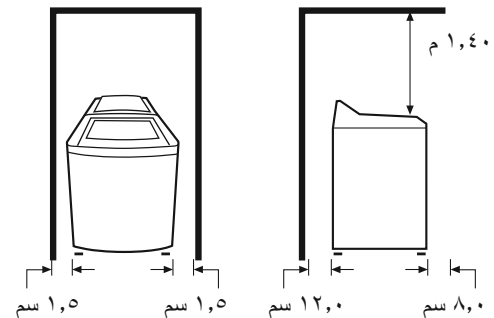


**ملحوظة** إذا استلزم الأمر تركيب خرطوم أطول لصرف مياه الغسالة، فاستعن بأحد الفنيين المؤهلين للقيام بذلك (وفقاً لرقم طراز غسالتك) والمنتشرين في فروع توزيع قطع غيار الغسالات المعتمدة. وبالنسبة إلى أنظمة الصرف الأرضية، ركب طقم سيفون من أي مخزن لبيع الأجهزة المحلية.

## الشروط الخاصة بالمساحة

**هام** لا تضع غسالتك في الأماكن الآتية:

- ١- في المناطق المعرضة لقطرات المياه أو عوامل الطقس الخارجية. ويجب ألا تقل درجة الحرارة المحيطة بالجهاز عن ٦٠° فهرنهايت (١٥,٦° مئوية) حتى لا تؤثر على فاعلية المنظفات.
- ٢- في الجراج أو أي مكان آخر يشبهه حيث يتم حفظ أو تخزين وقود البنزين أو غيره من المواد القابلة للاستعمال (بما في ذلك السيارات).
- ٣- على السجاد. فيجب أن تكون الأرضية صلبة على ألا يزيد معدل انحدارها عن ١ بوصة (٢,٥٤ سم).



## إرشادات التركيب

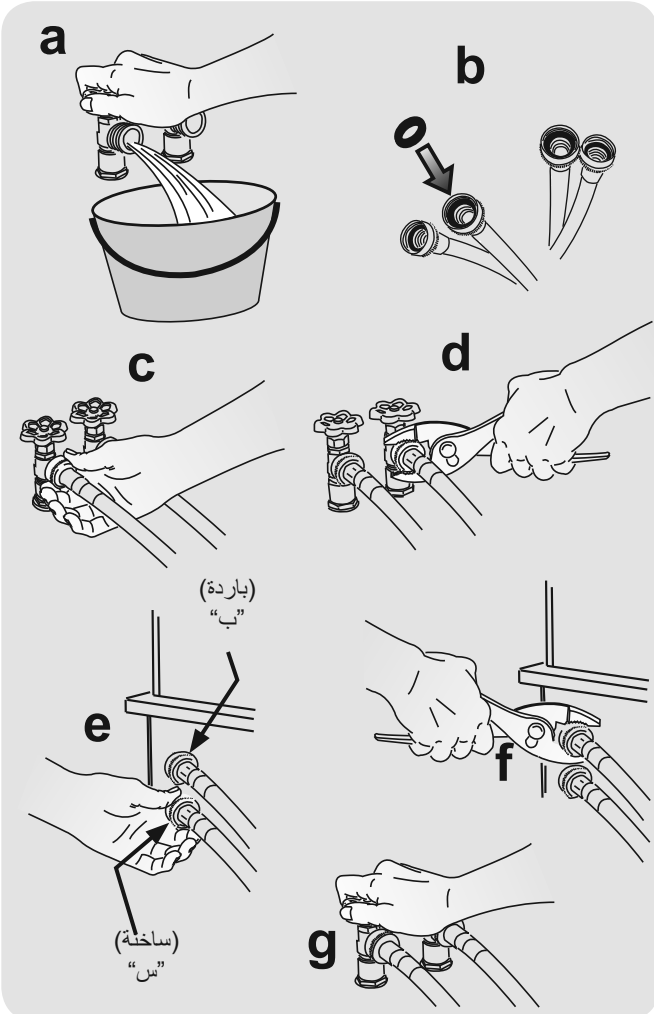
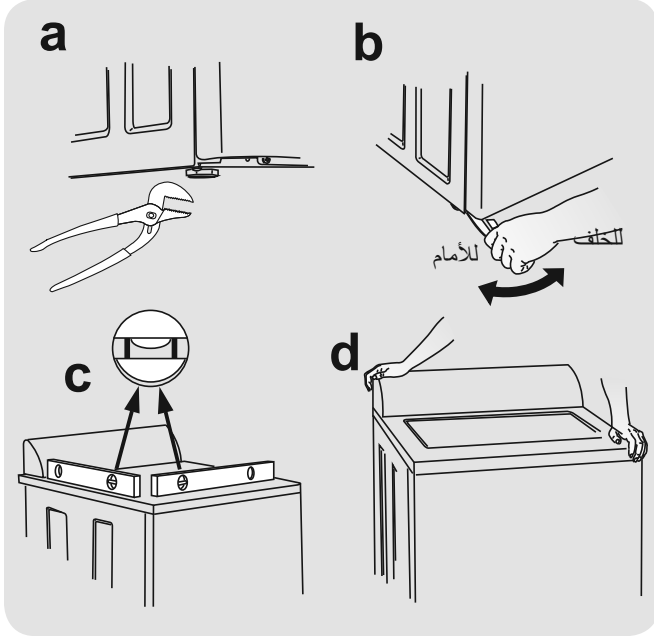
### وضع الغسالة فوق أرضية مستوية

يمكن التخلص من أية ضوضاء أو اهتزاز قد يصدر من الغسالة بوضعها فوق أرضية مستوية.

- 1- على بعد 4 أقدام (متر) من المكان النهائي الذي قمت بتحديد لوضع الغسالة فيه، ضع ميزان قياس المستوى فوقها.
- 2- استخدم كمامة قابلة للتعديل لضبط أرجل ميزان قياس المستوى بحيث تكون أرجل الغسالة مواجهة للجانب الأمامي منها وكذلك جانبي الغسالة وأركانها الثابتة.
- 3- اضغط فوق جانبي الغسالة وأركانها بشكل متناوب؛ حيث ستشعر بحركة خفيفة. اضبط أرجل الغسالة بالشكل الصحيح بحيث تصبح جميع أرجل الغسالة ثابتة على الأرض. احرص على الوصول لأعلى معدل من الاستواء، حيث يؤثر ذلك على تحسين أداء الغسالة.

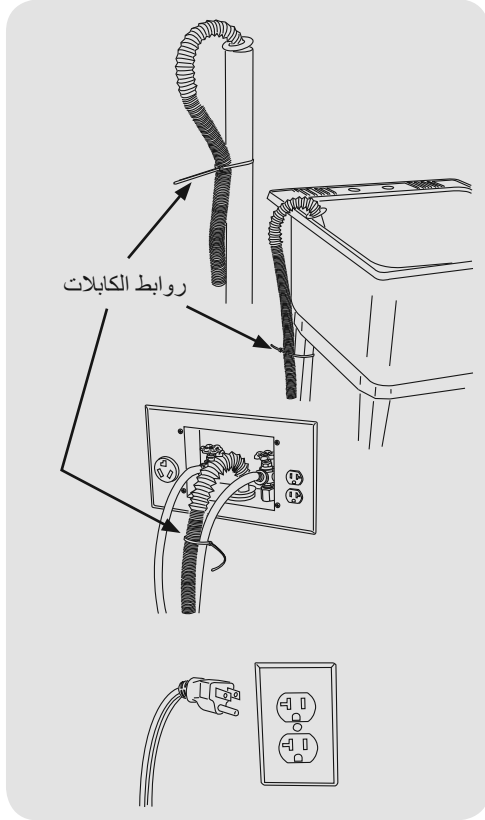
### توصيل خرطوم مدخل المياه

- 1- افتح بعضاً من صنابير المياه الساخنة والباردة بحيث تندفع المياه من الخطوط ثم قم بإزالة الغبار الذي قد يعيق فتحات صمامات المياه وأخيراً حدد صنابير المياه الباردة وصنوبر المياه الساخنة.
- 2- أخرج خرطوم المياه من الحقيبة البلاستيكية الموجودة بداخل أسطوانة الغسالة. (ربما تختلف الخرطوم الفعلية المرفقة بالغسالة عن الصور الموضحة هنا).
- 3- اربط خرطوم المياه الساخنة\* بمدخل المياه الساخنة بالغسالة وكذلك خرطوم المياه الباردة بمدخل المياه الباردة بالغسالة. لا تصل تلك الوصلات ببعضها أو تحكم رباطها.
- 4- اربط مدخل خرطوم المياه الساخنة بمزود المياه الساخنة وكذلك مخر خرطوم المياه الباردة بمزود المياه الباردة.
- 5- افتح صنابير المياه وتأكد من عدم وجود تسرب بها.



## توصيل نظام الصرف والكهرباء

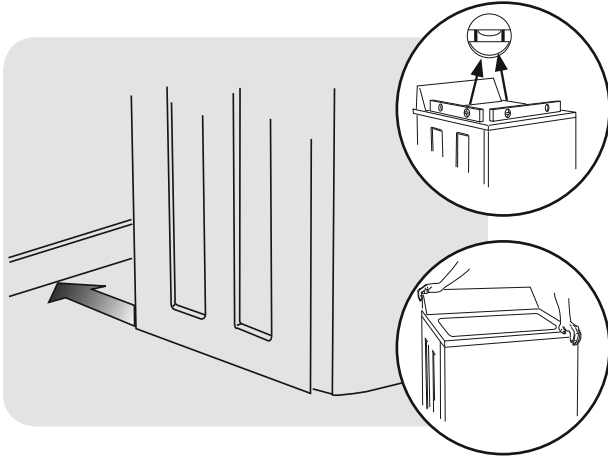
- ١- يوصل شكل حرف اليو «U» الموجود بنهاية خرطوم التصريف مع الخرطوم المشار إليه باتجاه الصرف. ضع النهاية الموضحة بالشكل داخل حوض الغسيل أو في ماسورة عمودية ثم قم بربطها برابط كابل
- ٢- ضع نهاية خطاف خرطوم التصريف داخل فتحة الصرف. باستخدام رابط الكابلات، اربط خرطوم التصريف بالماسورة العمودية ومدخل الخرطوم وحوض الغسيل. إلخ. وبذلك لن يفصل الخرطوم أبداً إذا اندفعت المياه.
- ٣- أدخل السلك الكهربائي بالمأخذ الذي تم تأريضه.



**ملحوظة** يجب ألا يقل القطر الداخلي للماسورة العمودية عن ٣,٨ سم. ويجب أن تكون هناك فتحة حول خرطوم التصريف في الماسورة العمودية لطرد الهواء. أما إذا استخدمت خرطوم ضيقة، فسينتج عن ذلك شطف للمياه.

**هام** تأكد من فصل التيار عن قاطع الدائرة الكهربائية وعلبة المنصهرات قبل إدخال السلك الكهربائي بالمأخذ.

- ٤- قم بتشغيل قاطع التيار أو علبة المنصهرات.
- ٥- ضع الغسالة في المكان الذي تم تحديده لها بحذر. وتأكد من أن أرجل الغسالة ومستواها مثبتين حتى لا تهتز أثناء التشغيل.
- ٦- اقرأ دليل الاستخدام والعناية الذي وصلك مع الغسالة. إذ يحتوي هذا الدليل على معلومات قيمة ستوفر لك الوقت والمال.
- ٧- قم بتشغيل الغسالة دورة كاملة وتأكد من عدم وجود تسرب للمياه وأن عملية التشغيل تسير بشكل صحيح.
- ٨- إذا كانت لديك أية استفسارات أثناء بداية التشغيل، يرجى مراجعة "قائمة فحص قطع الخدمة" في دليل الاستخدام والعناية قبل الاتصال بالخدمة.
- ٩- ضع هذه الإرشادات بالقرب من الغسالة كمرجع لك في المستقبل.



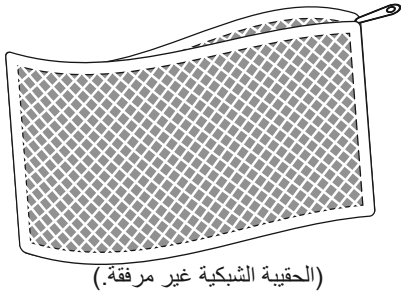
## قطع الغيار:

**تحذير** - خطر التعرض للصدمات الكهربائية - احفظ مكان الأسلاك قبل فصل التيار عنها وأثناء فحص أجهزة التحكم. فقد يؤدي توصيل الأسلاك بشكل خاطئ إلى عملية تشغيل خاطئ وخطيرة. تأكد من تشغيل الغسالة بشكل صحيح بعد الانتهاء من الصيانة.

إذا أردت تغيير قطع غيار غسالتك، فاتصل بالموزع الذي اشتريت منه الغسالة.

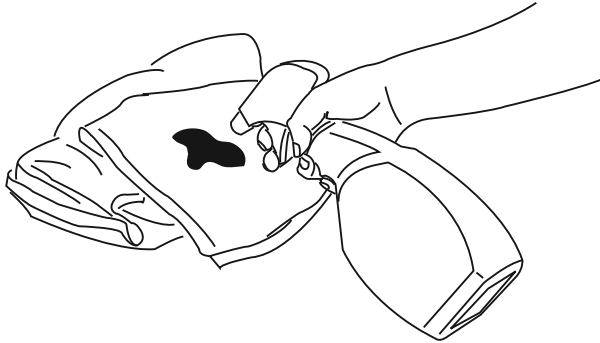
## خطوات الغسيل

- وضع الأنسجة الرقيقة والأغراض الصغيرة مثل حمالات الصدر والملابس الداخلية وجوارب الأطفال في حقيبة شبكية.



(الحقيبة الشبكية غير مرفقة.)

### ٣ معالجة البقع والأوساخ الثقيلة.

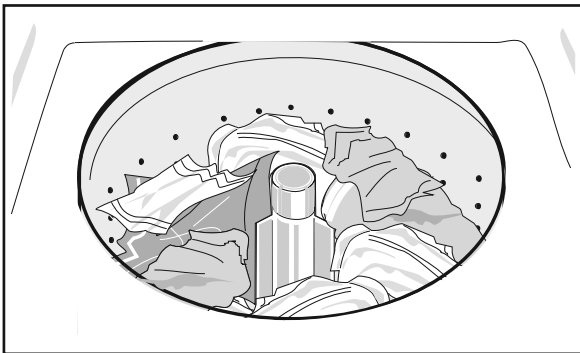


- راجع "دليل إزالة البقع" في هذا الدليل لمعرفة تعليمات إزالة البقع بطريقة آمنة وفعالة.

- ٤ إضافة مقدار معين من المنظفات إلى حوض الغسيل قبل إضافة الغسيل. اتبع إرشادات الشركة المصنعة للمنظفات. تحديد الكمية المطلوبة يكون وفقاً لنوع المنظف وحجم الغسيل والأوساخ.

- ٥ إضافة كمية غسيل إلى الغسالة.

- يجب ألا يكون مستوى تجفيف الحمولة أعلى من الخط العلوي للفتحات الموجودة في الحوض. لا تضع كمية زائدة من الغسيل في الغسالة.



- لا تضع أية أغراض فوق خضاضة الغسالة أو تلتفها حولها. ضع الملابس بكميات متساوية.

- اجمع الملابس الصغيرة والكبيرة في حمولة غسيل واحدة. وضع الملابس الكبيرة أولاً. ويجب ألا يزيد حجم الملابس الكبيرة على نصف حمولة الغسيل.

- إذا أردت أن تغسل غرضاً واحداً ثقيل الوزن، فأضف إليه منشفة أو منشفتين حتى تتزن الحمولة.

## ⚠ تحذير

لتقليل خطر نشوب حريق أو التعرض لصدمات كهربائية أو حدوث إصابة، يرجى قراءة "إرشادات هامة حول السلامة" في دليل الاستخدام والعناية قبل تشغيل الغسالة.

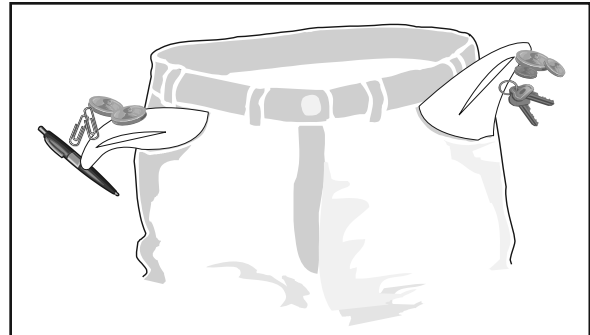
- ١ يمكن غسل نوع واحد فقط من الملابس في وقت واحد.



- صنّف الملابس وفقاً لدورة الغسيل ودرجة الحرارة المناسبة لها.
- قم بعزل الملابس البيضاء والملابس الفاتحة والملابس ذات اللون الثابت عن الملابس الداكنة والملابس متغيرة اللون.
- قم بعزل الملابس التي تتناثر منها نسالة عن الملابس التي تجلب النسالة. فمثلاً الملابس غير الرسمية والأنسجة المصنوعة من مواد اصطناعية والأربطة والسرراويل تجلب النسالة من المناشف والسجاد ومفارش الأسرة المصنوعة من غزل الشنيل.
- قم بعزل الملابس شديدة الاتساخ عن الملابس قليلة الاتساخ.
- قم بعزل الملابس ذات الأشرطة والملابس الشفافة والناعمة عن الملابس المتينة.
- لا تضع في الغسالة الملابس التي تحتوي على ألياف زجاجية. فقد تنتقل بقايا الألياف الزجاجية الصغيرة الموجودة بالغسالة إلى الأنسجة مما ينتج عنه تهيج البشرة.

## ٢ تجهيز الملابس للغسيل.

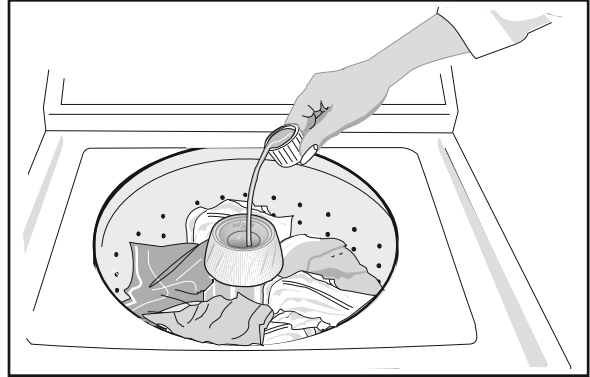
- تفرغ المحتويات الموجودة في الجيوب.



- التخلص من النسالة والأوساخ. نفاضة السجاد ومناشف الشواطئ.
- إغلاق السوست وربط الخطاطيف والخيوط والأحزمة وإخراج الحلبي وأدوات الزينة التي لا يمكن غسلها.
- تخطيط الملابس البالية والممزقة حتى لا تزداد سوءاً أثناء الغسيل.
- قلب الملابس المنسوجة لمنع تكون الحبيبات عليها.

## خطوات الغسيل، يتبع

- ٦ أضف منعماً سائلاً للأنسجة، إذا أردت، إلى موزع منعقات الأنسجة (هذا المنعم متوفر ببعض الطرز) فيما يتعلق بالطرز التي تحتوي على موزع داخلي:



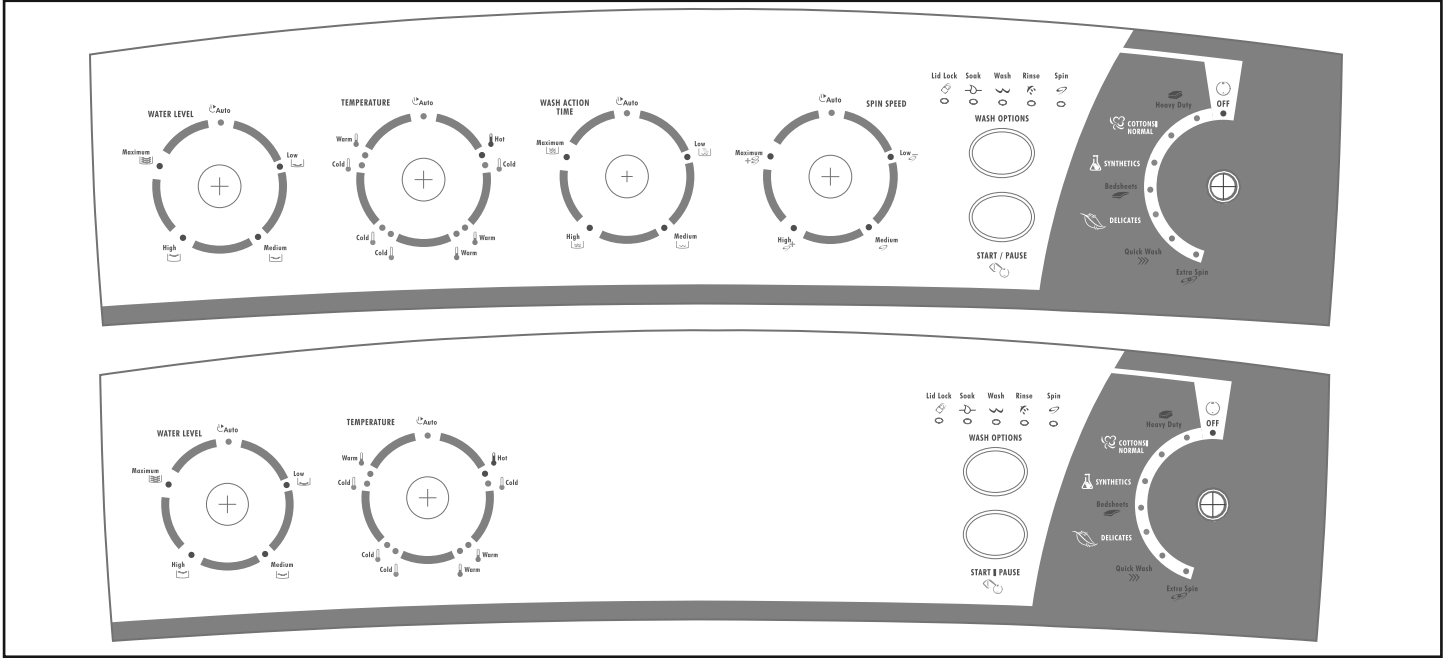
- أضف منعماً سائلاً إلى الموزع، مستعيناً بإرشادات الملصق الموجودة على المنعم.
- أضف مقداراً من المياه بحيث يتجاوز خط مستوى السائل الموجود بأعلى الموزع.
- لا تستخدم مبييضاً في هذا الموزع.

- إذا تراكم منع الأنسجة على جسم الغسالة، فنظفها بماء ساخن.
- ٧ حدد دورة الغسالة وإعداداتها وفقاً لنوع وحجم ومستوى الأوساخ في كل حمولة غسيل.
- انظر "تعليمات التشغيل" في الصفحة التالية.

- ٨ أغلق غطاء الغسالة ثم اختر الإعداد المناسب من لوحة التحكم. اضغط على الزر "تشغيل/إيقاف مؤقت". استخدم الزر "تشغيل/إيقاف مؤقت" لإيقاف الغسالة بشكل مؤقت.

- ٩ أخرج الملابس من الغسالة بعد اكتمال دورة الغسيل.
- ويجب أن يظل غطاء الغسالة مغلقاً أثناء الدوران.
- ضع الملابس التي تم غسلها في وضع المجفف التلقائي أو التعليق للتجفيف أو التجفيف المسطح كما هو موضح في ملصق العناية بالأنسجة. قد تؤثر كثرة التجاعيد وتغيير الألوان والروائح على الملابس المتروكة بالغسالة بعد الانتهاء من دورة الغسيل لبعض الوقت.

## تعليمات التشغيل



يتناول هذا الدليل العديد من الطرز غير أنه لا يستعرض كل الدورات والخيارات والمزايا المتوفرة بكل طراز. تم عرض لوحة المفاتيح بالأعلى كمرجع فقط. وقد يكون طرازك مختلفاً.

### اختيار الدورة

أدر بكرة البرنامج إلى الدورة التي تريدها. اضغط على الزر "بدء/إيقاف مؤقت" لبدء برنامج الغسيل أو إيقافه مؤقتاً.

#### قفل الغطاء

تحتوي الغسالة على نظام قفل الغطاء لكي يتسنى لك قفل الغطاء أثناء دورة الدوران. ويؤدي هذا إلى منع الوصول بأي شكل إلى الأجزاء المتحركة أثناء دورات الحوض. ويظل مصباح قفل الغطاء مُضاءً أثناء هذه الدورة. وفي نهاية الدورة، يتطلب الأمر دقيقتان لإيقاف تشغيل قفل الغطاء. ويصبح هذا واضحاً عندما ينطفئ مصباح قفل الغطاء.

#### برامج الغسيل

القيمة العادية لكل من السرعة والوقت لكل برنامج غسيل مُعدة مسبقاً وتعتمد على الدورة التي تحددها. وتوالي برامج الغسيل (باستثناء برنامج الدوران الإضافي) خلال حوض الغسيل، والصرف والدوران، وحوض الشطف، والدوران النهائي.

دورة الدوران في الغسالة مُصممة خصيصاً لامتصاص الماء من الملابس بصورة فعّالة. ولهذا السبب، قد تلاحظ انخفاض سرعة الدوران في الحوض عند بداية الدورة ثم تصاعدها تدريجياً إلى السرعة القصوى.

#### الخدمة الشاقة:

لغسل الملابس شديدة الاتساخ. ويكون مستوى الماء متوسطاً أو مرتفعاً. ودرجة حرارة المياه ساخنة للغسيل وباردة لدورات الشطف. وننصح بهذا البرنامج للملابس القطنية الثقيلة، والجواكيت، والحقائب الرياضية، والمعاطف الواقية من المطر، وأغطية المادة، والجِرق شديدة الاتساخ.

#### الملابس القطنية/العادية:

هذه الدورة مُصممة للغسيل المكثف للملابس البيضاء أو الملابس القطنية الملونة التي لا تبهت. ويكون مستوى المياه متوسطاً أو مرتفعاً عند تحديد "تلقائي". ودرجة حرارة المياه دافئة للغسيل وباردة لدورات الشطف. وننصح بهذا البرنامج للقمصان والفساتين القطنية والبنطلونات والشورتات والملابس الداخلية الكتان.

#### الألياف الاصطناعية:

هذا البرنامج مصمم للعناية الفائقة بالملابس الملونة وملابس الألياف الاصطناعية. عند تحديد "تلقائي" لمستوى المياه، يتم تحديد مستوى متوسط أو مرتفع بناءً على كمية الملابس. ويتم تحديد درجة حرارة المياه الباردة لدورات الشطف إلا إذا قام المستخدم بتجاوزها. وننصح بهذا البرنامج للملابس المصنوعة من الألياف الاصطناعية مثل القمصان والفساتين والبنطلونات والشورتات والبيجامات والملابس الداخلية.

#### مفارش السرير:

برنامج غسيل خاص مُصمم لمعالجة مفارش السرير. وبناءً على كمية الملابس، يتم تحديد مستوى متوسط أو مرتفع للمياه عند تحديد "تلقائي". وتكون درجة الحرارة الافتراضية للمياه دافئة للغسيل وباردة لدورات الشطف. وهذا البرنامج مُصمم خصيصاً للألحفة ومفارش السرير وأغطية المراتب (عدد الألحفة التي يمكن غسلها بصورة فعّالة يعتمد على حجم كل لحاف).

#### الملابس الرقيقة:

برنامج غسيل مخصص لتنظيف الملابس الرقيقة بفاعلية. ويكون مستوى الماء الافتراضي متوسطاً أو مرتفعاً. ودرجة حرارة المياه باردة للغسيل وكذلك للشطف لحماية الملابس المصنوعة من مواد حساسة. وننصح بهذا البرنامج للملابس الرقيقة والمنسوجات والحريير والملابس الداخلية والملابس الصوف الرقيقة.

دورة الغسيل السريع مُصممة لكمية الملابس الصغيرة وقليلة الاتساخ. ومثال كمية دورة الغسيل السريع: قميصان و ٢ تي شيرت وبنطلون و تي شيرت ثقيل بسوستة وبدلتا غطس، أو مفرشي سرير وكيس مخدة و فوطه حمام متوسطة الحجم.

دورة الدوران الإضافي مُصممة لتدوير الملابس المغسولة أثناء الدورات التلقائية. ويجب الحذر للتأكد من عدم وجود ماء في الحوض عند بدء دورة الدوران الإضافي، فقد يفيض الماء خارج الحوض أثناء دورة الدوران، مما يؤدي إلى حدوث تلف شديد.

## إعدادات دورة الغسيل

### مستوى الماء

الوضع اليدوي: أدر البكرة لتحديد مستوى المياه وفقاً لكمية الغسيل. عند التحديد يدوياً، تأكد من إمكانية تحرك الملابس بحرية في كمية المياه. الوضع التلقائي: تقدم هذه الغسالة إمكانية جديدة وفريدة لاستشعار مستوى المياه تلقائياً بهدف توفير المياه من خلال السماح لك بغسل كل كمية غسيل بفاعلية باستخدام كمية المياه المثالية. ويبدأ ملء الغسالة بالمياه حتى المستوى الأدنى للمياه. وبعد ذلك، وخلال خض الغسيل، تقوم الغسالة بالتحقق مما إذا كانت المياه كافية لكمية الملابس الموجودة في الحوض أم لا. وفي حالة الحاجة إلى مياه إضافية لكمية الملابس، يتوقف خض الغسيل ويبدأ ملء المياه مرة أخرى حتى يصل مستوى الماء إلى المستوى المطلوب.

### تنبيه:

لا تملأ الغسالة بطريقة مباشرة بواسطة وضع خرطوم في الحوض. فسوف يؤدي هذا إلى تعطلها، فضلاً عن تلف الصمامات. وتتميز الغسالة بنظام استشعار لا يسمح بملء المياه بما يتجاوز أقصى مستوى مسموح به. فتجاوز هذا المستوى الأقصى يمكن أن يؤدي إلى انسكاب المياه على الأرض، مما يسبب خطر حدوث دائرة قصر وتلف الغسالة.

### درجة حرارة الماء

الوضع اليدوي: أدر البكرة لتحديد مستوى المياه وفقاً لكمية الغسيل. عند التحديد يدوياً، تأكد من إمكانية تحرك الملابس بحرية في كمية المياه. الوضع اليدوي: أدر البكرة لتحديد درجة الحرارة المناسبة لنوع الملابس التي يجري غسلها.

ساخنة/باردة - المياه الساخنة لدورة الغسيل، والباردة للشطف.

دافئة/دافئة - المياه الدافئة لدورتي الغسيل والشطف.

باردة/باردة - المياه الباردة لدورتي الغسيل والشطف.

دافئة/باردة - المياه الدافئة لدورة الغسيل، والباردة للشطف.

الوضع التلقائي: تقوم الغسالة بتحديد درجة الحرارة المناسبة لبرنامج الغسيل المحدد تلقائياً.

يعرض لك المخطط التالي درجة حرارة الماء/الشطف اللازمة لغسل الأنواع الأساسية للأنسجة.

نوع النسيج	درجة حرارة الماء
الملابس القطنية البيضاء/ذات اللون الثابت المتسخة بشدة والمقاومة للتجاعيد	ساخنة/باردة
الملابس القطنية البيضاء/ذات اللون الثابت والمتسخة اعتيادياً والمقاومة للتجاعيد	دافئة/باردة
الملابس القطنية قليلة الاتساخ والمقاومة للتجاعيد والأنسجة متغيرة اللون والأربطة والملابس الرقيقة والملابس التي تُغسل على اليد.	باردة/باردة
المنسوجات الصوفية القابلة للغسل	دافئة/باردة

### سرعة الدوران

سرعات الدوران مُصممة لكل دورة من الدورات لتقليل تجاعيد الملابس. وإذا اختار المستخدم تجاوز هذا الإعداد، يمكن التحديد يدوياً بإدارة البكرة.

### زمن إجراء الغسيل

لتحقيق نتائج غسيل فعالة، تقوم الغسالة بزيادة زمن خض الغسيل أو تقليله عما هو محدد مسبقاً في برنامج الغسيل المحدد. وإذا رغبت المستخدم، يمكنه ضبط زمن إجراء الغسيل يدوياً من خلال إدارة البكرة. وإذا لم تكن غسالتك تحتوي على هذه الوظيفة، فإن الغسالة توفر زمن إجراء الغسيل للملابس عادية الاتساخ كما هو محدد مسبقاً في برنامج الغسيل.

### التشغيل

الوضع التلقائي: لبدء تشغيل الغسالة في الوضع التلقائي بعد إعدادها، اضغط على الزر "بدء/إيقاف مؤقت". لتغيير البرنامج أثناء تشغيل الغسالة، اضغط على نفس الزر لإيقاف التشغيل مؤقتاً، وعيّر البرنامج الحالي إلى البرنامج الذي تريده، واضغط على الزر "بدء/إيقاف مؤقت" مرة أخرى لبدء تشغيل الغسالة. جدير بالذكر أن برنامج الغسيل سيبدأ التشغيل من البداية.

الوضع اليدوي: الوضع اليدوي مُصمم لإجراء خطوات برنامج الغسيل بشكل مستقل. وبعد تحديد برنامج الغسيل، اضغط على الزر "خيار الغسيل" بشكل متكرر لتحديد خيار الغسيل المناسب الموضح بواسطة المصباح المضئ. اضغط على الزر "بدء/إيقاف مؤقت" لبدء التشغيل.

### خيارات الدورة

#### نقع

توفر هذه الوظيفة قبل دورة الغسيل ١٥ دقيقة من الخض البطيء.

#### غسيل فقط

يقوم هذا الخيار بإجراء دورة غسيل فقط. ويظل مصباح مؤشر الغسيل مضيئاً أثناء هذه الدورة. ويتم تصريف المياه الموجودة في الحوض في نهاية هذه الدورة. ويضيء مصباح الدوران في نهاية هذه الدورة.

#### شطف فقط

ستقوم الغسالة أولاً بتنفيذ الدوران وتصريف المياه. ثم يتم ملء الحوض بمياه نظيفة ونقية للشطف. ثم يتم خض الشطف بينما يظل مصباح مؤشر الشطف مضيئاً أثناء هذه الدورة. ويتم تصريف المياه الموجودة في الحوض في نهاية هذه الدورة. ويضيء مصباح الدوران في نهاية هذه الدورة.

#### دوران فقط

تقوم الغسالة أولاً بتصريف أية مياه متبقية في الحوض. ثم تتوالى دورة الدوران ويظل مصباح الدوران مضيئاً أثناء الدورة وفي نهايتها.

#### غسيل وشطف فقط

يؤدي هذا الخيار أولاً إلى ملء الحوض بالمياه لخض الغسيل. وفي نهاية دورة الغسيل، يتم تصريف المياه. يتم ملء الحوض بمياه نظيفة ونقية لدورة الشطف. يكتمل الشطف (يظل مصباح مؤشر الشطف مضيئاً خلال هذه الدورة). وفي نهاية دورة الشطف، يضيء مصباح الدوران. ولا يتم تصريف المياه الموجودة في الحوض في نهاية هذه الدورة.

#### غسيل ودوران فقط

يؤدي هذا الخيار أولاً إلى ملء الحوض بالمياه لخض الغسيل. ويتم تصريف المياه، وتبدأ دورة الدوران. ويظل مصباح مؤشر الدوران مضيئاً في نهاية الدورة.

#### شطف ودوران فقط

يبدأ هذا الخيار بتصريف المياه الموجودة في الحوض، ثم ملء المياه لخض الشطف. وتم تصريف المياه مرة أخرى لدورة الدوران.



## دليل إزالة البقع بأمان

**تحذير!** - خطر التعرض للأبخرة الضارة - لا تستخدم مبيض الكلور السائل أو تخلطه بمواد كيميائية منزلية أخرى مثل منظفات المراحيض، أو مزيلات الصدأ أو الأحماض أو غير ذلك من المنتجات التي تحتوي على غاز الأمونيا. فقد يؤدي هذا المزج إلى انبعاث أبخرة قد تتسبب في إصابات جسيمة أو وفاة.



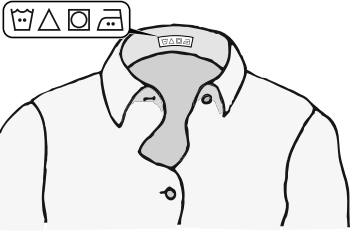
- لتقليل مخاطر نشوب الحريق أو أية إصابات قد يتعرض لها الأفراد أو خسائر في الممتلكات عند استخدامها للغسالة، عليك الالتزام بالتعليمات الواردة أدناه:
- يرجى قراءة كل التعليمات الموجودة على منتجات إزالة البقع والالتزام بها.
- ضع منتجات إزالة البقع في المكان المخصص لها بعيداً عن متناول الأطفال.
- يجب غسل جميع الأواني المستخدمة جيداً.
- لا تستخدم أكثر من منتج لإزالة البقع وبخاصة غاز الأمونيا ومبيض الكلور. فقد يؤدي ذلك إلى انبعاث أبخرة ضارة.
- لا تغسل الأنسجة التي تم تنظيفها أو نقعها أو تبقيعها مسبقاً بداخل الغسالة بالبنزين أو بمساحيق التنظيف الجاف أو بالكبروسين أو بغير ذلك من المواد القابلة للاشتعال أو المتفجرة، إذ تنتج هذه المواد أبخرة يمكن أن تحرق الملابس.
- لا تستخدم المساحيق شديدة الاشتعال، مثل البنزين، داخل المنزل. قد تنفجر الأبخرة عند ملامستها للنار أو الشرر.

## لضمان إزالة البقع بنجاح، اتبع الآتي:

- قم بإزالة البقع فوراً.
- حدد نوع البقعة، ثم اتبع تعليمات المعالجة الموصى بها في مخطط إزالة البقع الموجود في الصفحة التالية.
- لمعالجة البقع، استخدم منتجات الغسيل الأولي أو المنظفات السائلة أو العجائن المصنوعة من مساحيق التنظيف والماء.
- استخدم الماء البارد لإزالة البقع مجهولة المصدر لأن المياه الساخنة قد تثبت تلك البقع.
- استعن بتعليمات ملصق العناية لمعرفة الحالات التي يحظر استخدامها مع بعض أنواع الأقمشة.
- تحقق من ثبات اللون باختبار منتجات إزالة البقع على وصلات الأقمشة الداخلية.
- اشطف الأنسجة واغسلها بعد إزالة البقعة.

### للحصول على أفضل النتائج

اتبع تعليمات ملصق العناية حول الملابس المراد غسلها.



## اقتراحات لإزالة البقع

البقع	المعالجة
التشريط اللاصق والعلكة والإسمنت المطاطي	ضع ثلجاً. ثم اكشط الزائد. ضع سطح البقعة مباشرة فوق المناشف الورقية. ثم انقعها باستخدام مزيل البقع أثناء الغسيل الأولي.
العناصر الغذائية لبناء جسم الطفل ومنتجات الألبان والبيض	استخدم المنتجات التي تحتوي على إنزيمات في معالجة البقع أو نقعها. وانقعها لمدة ٣٠ دقيقة أو أكثر. ثم اغسلها.
المشروبات (القهوة والشاي والصودا والعصائر والمشروبات الكحولية)	قم بمعالجة البقعة. ثم اغسلها باستخدام ماء بارد ومبيض آمن للأنسجة.
الدم	قم بشطفه بماء بارد. ثم افركه بقلب صابون. أو عالج بمنتجات تحتوي على إنزيمات أو انقعها فيها. يتم الغسيل باستخدام مبيض آمن للأنسجة.
المادة الشمعية، والطباشير الملون	اكشط المادة الشمعية من على سطح البقعة ضع سطح البقعة مباشرة بين المناشف الورقية. ثم اضغط باستخدام الكي الدافئ حتى يتم امتصاص الشمع. وقم باستبدال المناشف الورقية باستمرار. ثم عالج البقعة المتبقية باستخدام مزيل البقع أثناء الغسيل الأولي. استخدم الغسيل اليدوي إلى أن تزول كمية المسحوق يتم الغسيل باستخدام مبيض آمن للأنسجة.
الشيكلاته	تعالج أو تُنقع في ماء دافئ باستخدام منتجات تحتوي على إنزيمات. يتم الغسيل باستخدام مبيض آمن للأنسجة.
اتساخ البقعة أو الأساور ومستحضرات التجميل	تعالج باستخدام مزيل البقع أثناء الغسيل الأولي أو تفرك بقلب صابون.
نقل صبغة على النسيج الأبيض	استخدم مزيل ألوان محفوظ داخل غلاف. ويتم الغسيل باستخدام مبيض آمن للأنسجة.
بقع الغشيب	تعالج أو تُنقع في ماء دافئ باستخدام منتجات تحتوي على إنزيمات. ويتم الغسيل باستخدام مبيض آمن للأنسجة.
الشحم والزيت والقطران (كالزبد والدهون وصلصة السلطة وزبوت الطهي وشحم السيارات وزبوت المحركات)	اكشط بقايا الأوساخ من على الأنسجة، وعالجها، ثم اغسلها مستخدماً ماء ساخناً آمناً للأنسجة. بالنسبة إلى البقع الصعبة والقطران، ضع سائل تنظيف جافاً غير قابل للاشتعال على ظهر البقعة. واستبدل المناشف أسفل البقع باستمرار. ثم اشطفها جيداً. واغسلها باستخدام ماء ساخن آمن للأنسجة.
الحبر	قد يستحيل إزالة بعض الأحبار. وقد يعمل الغسيل على تثبيت البقع عليها. استخدم مزيل البقع أثناء الغسيل الأولي أو كحول مشوب أو سائل تنظيف جاف غير قابل للاشتعال.
العفن والحروق السطحية	اغسلها باستخدام مبيض الكلور إذا كان آمناً للأنسجة. أو انقعها في مبيض الأكسجين وماء ساخن قبل الغسيل. فقد يؤدي ذلك إلى تلف الأنسجة شديدة التعفن باستمرار.

## اقتراحات لإزالة البقع، يتبع

البقع	المعالجة
الطين	افرك الطين الجاف. وعالجه بمنتجات تحتوي على إنزيمات أو انقعه فيها.
المسطرة والطماطم	عالجها باستخدام مزيل البقع أثناء الغسيل الأولي. واغسلها باستخدام مبيض آمن للأنسجة.
طلاء الأظافر	قد يستحيل إزالته. ضع سطح البقعة مباشرة فوق المناشف الورقية. ضع مزيل طلاء الأظافر على ظهر البقعة. وقم بتجديد المناشف الورقية واستبدالها باستمرار. ولا تستخدمه على الأقمشة المصنوعة من حامض الخليك.
الطلاء والورنيش	باستخدام المياه: اشطف النسيج بماء بارد عندما تكون البقعة مبللة ثم اغسلها، فلا يمكن إزالة الطلاء إذا كان جافاً. البقع الزيتية والورنيش: استخدم المسحوق الموصى به على ملصق العبوة. واشطفها جيداً قبل الغسيل.
العرق	استخدم مزيل البقع أثناء الغسيل الأولي أو افركها باستخدام قالب صابون ثم اشطفها واغسلها باستخدام مبيض لا يحتوي على كلور في ماء ساخن آمن للأنسجة.
الصدأ وظهور اللون البني أو الأصفر على الأنسجة	استخدم مزيل صدأ آمن للأنسجة. ولا تستخدم مبيض الكلور لأنه قد يؤدي إلى تغيير لون النسيج بدرجة كبيرة.
ورنيش الأحذية	السائل: يعالج باستخدام عجينة مصنوعة من مساحيق التنظيف والماء. العجينة: اكشط بقايا البقع الموجودة على النسيج. ثم عالجها باستخدام مزيل البقع أثناء الغسيل الأولي أو سائل تنظيف جاف غير قابل للاشتعال ثم اشطفها، وأخيراً افرك المنظف فوق المنطقة المبللة. واغسلها باستخدام مبيض آمن للأنسجة.
الطماطم	عالجها باستخدام مزيل البقع أثناء الغسيل الأولي. واغسلها باستخدام مبيض آمن للأنسجة.
البول والقيء والمخاط والبراز	عالجها بمنتجات تحتوي على إنزيمات أو انقعه فيها. واغسلها باستخدام مبيض آمن للأنسجة.
الكحول	عالجها أو انقعه في ماء بارد. واغسلها باستخدام ماء بارد ومبيض آمن للأنسجة.

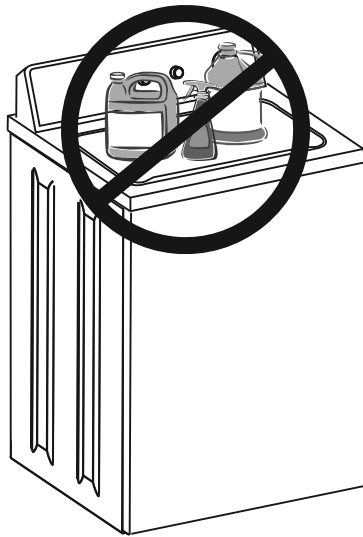
## العناية والتنظيف

### داخل الغسالة

- أخرج الأنسجة من الغسالة بمجرد انتهاء الدورة. قد تؤثر كثرة التجاعيد وتغيير الألوان والروائح على الملابس المتروكة بالغسالة.
- جفف الجزء العلوي من الغسالة، والمنطقة الموجودة حول فتحة الغطاء، والجانب السفلي من الغطاء. ويجب أن تكون هذه المناطق جافة دائماً قبل غلق الغطاء.
- افصل سلك التيار الكهربائي قبل تنظيف الجزء الداخلي للغسالة، لتجنب التعرض لصدمات كهربائية.
- عند غسل الأنسجة شديدة الاتساخ، قد تبقى بقايا أوساخ قذرة في الحوض. فأزل هذه الأوساخ عن طريق تنظيف الحوض باستخدام منظف منزلي غير مركز. ثم اشطفها جيداً باستخدام الماء.
- قد تتسخ الخضاضة أو الحوض من صبغة النسيج؛ ولذلك قم بتنظيف هذه الأجزاء باستخدام منظف منزلي غير مركز؛ حيث سيمنع ذلك نقل الصبغة إلى الأنسجة الأخرى فيما بعد.

### خارج الغسالة

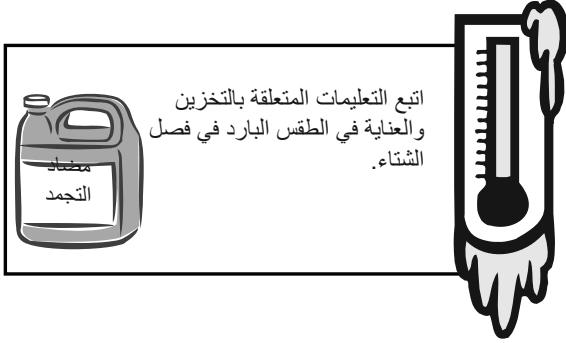
- عند الانتهاء من الغسيل، نظّف الجزء العلوي للغسالة وجوانبها بقماشة مبللة. أغلق صنابير المياه لمنع زيادة ضغط المياه بالخرائطيم.
- نظّف الخزانة بالماء والصابون. لا تستخدم منظفات رملية أو مركزة.
- في حالة اتساخ الخزانة، نظفها باستخدام مبيض الكلور المخفف (باستخدام المبيض والماء بنسبة ٨:١). واشطفها عدة مرات بماء نظيف.
- أزل بقايا الغراء من على الشريط أو الملصقات باستخدام خليط من ماء دافئ ومنظف خفيف. أو الصق بقايا الأوساخ باستخدام المادة اللاصقة في الشريط.
- ضع شريطاً من الكرتون أو لوحة ليفية رقيقة تحت الأرجل الأمامية للغسالة قبل تحريكها لتجنب تلف الأرضية.



**هام** لا تقم بتخزين مساحيق غسيل أو وضعها فوق الغسالة في أي وقت. فربما تتسبب في تلف طلاء الغسالة أو تلف لوحة التحكم

## التعليمات الخاصة باستخدام الغسالة في فصل الشتاء

هام في حالة تخزين الغسالة في مكان يحتمل حدوث تجمد أو انخفاض في درجة الحرارة به، اتبع التعليمات الآتية المتعلقة بضوابط استخدام الغسالة في فصل الشتاء لتجنب تلفها.



اتبع التعليمات المتعلقة بالتخزين  
والعناية في الطقس البارد في فصل  
الشتاء.

- ١- أغلق صنبور المياه.
- ٢- انزع الخرطوم من مصدر الماء وقم بتصريف المياه من خلالها.
- ٣- وصل سلك التيار الكهربائي بمأخذ كهربائي مؤرّض بشكل صحيح.
- ٤- أضف جالوناً واحداً (سعة ٣,٨ لتر) من مانع التجمد غير السام الخاص بسيارات الرحلات لتفريغ أسطوانة الغسيل. ثم أغلق الغطاء.
- ٥- اضبط مفتاح اختيار دورة الغسيل في إعداد الدوران. افصل المفتاح واترك الغسالة تدور لمدة دقيقة واحدة لتصريف جميع كمية المياه. لن يتم الاستغناء عن جميع موانع التجمد الخاصة بسيارات الرحلات.
- ٦- اضغط على المفتاح وافصل سلك التيار الكهربائي ثم جفف الجزء الداخلي للحوض وأغلق الغطاء.
- ٧- احفظ الغسالة في وضعية مستقيمة.
- ٨- للتخلص من سائل التبريد من الغسالة بعد تخزين الملابس، قم بتشغيل الغسالة وهي فارغة لدورة كاملة واستخدم المنظفات. لا تضيف كمية أخرى من الغسيل.

## مشاكل الغسيل الشائعة

تتضمن أكثر مشاكل الغسيل حدوثاً الأوساخ العادية وإزالة البقع من عليها، وبقياء اتساخات النسالة إلى غير ذلك من الرغوى وتلف الأنسجة. للحصول على نتائج غسيل مرضية، اتبع التعليمات الآتية المقدمة من قبل جمعية الصابون والمنظفات.

المشكلة	الأسباب المحتملة	الحلول	الإجراءات الوقائية
البقع الزرقاء	• استخدام منظفات سائلة مركزة أو منعم للأنسجة موزع على الأنسجة مباشرة.	• إذا كانت هذه البقع بسبب المنظف، فقم بخلط وعاء خل أبيض (٢٤٠ مل) مع ربع جالون ماء (٠.٩٥ لترًا) في أنية بلاستيكية. واتقع هذه الأنسجة لمدة ساعة فيه. ثم اشطفها. • إذا كانت بسبب منعم للأنسجة، فافرك البقع بالصابون. ثم اغسلها.	• تجنب ملء الأدرج الخاصة بالمنظفات ومنعمات الأنسجة للموزع.
تغير لون الأنسجة واللون الرمادي	• لا توجد منظفات كافية. • انخفاض درجة حرارة ماء الغسيل بشكل زائد عن الحد. • فرز الأنسجة بشكل غير صحيح.	• الغسيل مرة أخرى باستخدام كمية صحيحة من المنظفات والماء الساخن الآمن للأنسجة. • إضافة مبيض آمن للأنسجة.	• فرز الأنسجة على حسب درجة الاتساخ واللون. • استخدام كمية صحيحة من المنظفات والماء الساخن والمبيضات الآمنة للأنسجة.
البقع الشحمية والزيتية	• لا توجد منظفات كافية. • صبّ منعمات الأنسجة السائلة المركزة على الأنسجة مباشرة.	• المعالجة باستخدام مزبل البقع أثناء الغسيل الأولي أو باستخدام منظف سائل. • زيادة كمية المنظف ودرجة حرارة الماء، وإعادة غسلها. • فرك بقع منعم الأنسجة بالصابون.	• استخدام كمية صحيحة من المنظفات والماء الساخن الآمن للأنسجة. • لا تصب منعم الأنسجة السائل على الأنسجة مباشرة.
الفتحات أو التمزقات أو التثوات	• الاستخدام الخاطئ لمبيض الكلور • السوست والخطاطيف والمشابك المفكوكة. • الملابس البالية والممزقة والوصلات المقطوعة. • وضع كمية زائدة من الغسيل في الغسالة. • تآكل الأنسجة	• قد لا يمكن عودتها إلى طبيعتها إذا كان من الصعب إصلاح الأشياء البالية والممزقة ووصلات الأنسجة.	• لا تصب مبيض الكلور على الأنسجة مباشرة. • تحقق من حالة الأنسجة قبل غسلها.
النسالة	• فرز الأنسجة بشكل غير صحيح. • الأنسجة الرقيقة المتروكة في الجيوب. • وضع كمية زائدة من الغسيل في الغسالة. • لا توجد منظفات كافية. • ترك المنظفات غير الذاتية لبقياء شبه نسالة في الغسيل. • تعلق النسالة بالأشياء الثابتة داخل الغسالة. • تحميل الغسيل لفترة طويلة.	• قلل حجم الغسيل. أعد الغسيل بتحديد درجة الحرارة ومقدار المياه وكمية المنظفات المناسبة. • أضف مكيفًا مائيًا غير قابل للترسب إلى ماء الغسيل للتخلص من بقايا الأوساخ بعد استخدام المنظف. • أضف منعم الأنسجة السائل إلى عملية الشطف النهائية. • جفف الحمولة في المجفف. • أزل النسالة باستخدام الفرشاة الخاصة بها أو أسطوانة دوارة.	• لا تضع كمية زائدة من الغسيل في الغسالة. • استخدام درجة الحرارة وكمية المنظفات والماء المناسبة وزمن الغسيل المناسب.
التجيب (كرات من الألياف تتكون فوق الأنسجة).	• يظهر التجيب بشكل طبيعي في الأنسجة الاصطناعية والأنسجة المعالجة ضد التجعد. وذلك نتيجة كشط الملابس العادية.	• استخدم فرشاة نسالة أو ماكينة حلاقة لإزالة هذه الحبيبات الصغيرة.	• استخدم منعم الأنسجة الموجود في الغسالة لمنع كشط الأنسجة. • عند الكي، استخدم بخاخ النشاء أو ضع قماشة على الياقات والأساور. • أخرج الأنسجة خارج الغسالة لتقليل تعرضها للاحتكاك.
بقياء الأوساخ أو المسحوق الموجود على الأنسجة الداكنة، والأنسجة الخشنة وشديدة الجفاف.	• المنظفات غير الذاتية. • قد تتجمع بعض المنظفات الحبيبية مع المياه الغنية بالمعادن لتشكل أوساخًا. • وضع كمية زائدة من الغسيل في الغسالة.	• إعادة غسيل الحمولة من جديد.	• زيادة درجة حرارة الماء باستخدام ماء ساخن آمن للأنسجة. • لا تضع كمية زائدة من الغسيل في الغسالة. • استخدم المنظفات السائلة أو مكيفًا مائيًا غير قابل للترسب مع مساحيق التنظيف.
التجعد	• وضع كمية زائدة من الغسيل في الغسالة. • دورة الغسيل غير صحيحة لتحميل الغسيل.	• قلل حجم الغسيل. • اشطفها في ماء بارد مع منعم الأنسجة السائل باستخدام الدورة العادية أو الحساسة.	• لا تضع كمية زائدة من الغسيل في الغسالة. • أخرج الأنسجة من الغسالة بمجرد اكتمال دورة الغسيل. • استخدم منعم الأنسجة السائل.
تزايد اصفرار بقعة الاتساخ على الأنسجة الصناعية.	• قصر مدة خض الغسيل أكثر من اللازم. • انخفاض درجة حرارة ماء الغسيل بشكل زائد عن الحد. • لا توجد منظفات كافية.	• انقعها في مادة منظفة قوية أو منظف يحتوي على إنزيمات. • اغسلها في ماء ساخن آمن للأنسجة مستخدمًا دورة الغسيل العادية. • قم بزيادة كمية المنظفات. • أضف مبيضًا آمنًا للأنسجة أو عالجه باستخدام مزبل الألوان.	• حدد دورة الغسيل الصحيحة. • استخدم كمية صحيحة من المنظفات. • اغسل الأنسجة الاصطناعية باستخدام ماء ساخن أو دافئ.
بقع الصدأ الصفراء أو البنية اللون	• وجود قطع حديد أو منجنيز في مصدر الماء أو مواسير المياه أو سخان الماء.	• لاستعادة حمولة الملابس البيضاء متغيرة اللون، استخدم مزبل صدأ آمن للأنسجة. • لا تستخدم مبيض الكلور لإزالة بقع الصدأ؛ حيث إنه قد يؤدي إلى تغيير لون النسيج بدرجة كبيرة.	• استخدم منعم ماء غير قابل للترسب. • شغل الماء الساخن لعدة دقائق قبل الغسيل لتنظيف الرواسب في هذه الخطوط. • قم بتصريف سخان الماء بين حين وآخر. • في حالة استمرار المشكلة، ركب مرشحًا لإزالة الحديد في نظام إمدادات الماء الخاص بك.

## قائمة الفحص لتجنب طلب الصيانة

راجع هذه القائمة، قبل الاتصال بخدمة الصيانة. فقد توفر عليك الوقت والمصاريف. تشمل القائمة المشاكل الشائعة التي لا تعتبر نتيجة عيب التصنيع أو المواد المصنوعة منها الغسالة.

المشكلة	الأسباب المحتملة	الحل
التشغيل		
الغسالة لا تعمل.	قد يكون سلك الكهرباء غير موصل أو هناك انقطاع في الاتصال.	تأكد من إدخال قابس الكهرباء بإحكام في مأخذ الحائط.
	انصهار منصهر المنزل أو حدوث خلل في قاطع الدائرة الكهربائية أو انقطاع التيار الكهربائي.	أعد ضبط قاطع الدائرة الكهربائية أو استبدل المنصهر. لا ترفع التيار في المنصهر. إذا كانت المشكلة في زيادة الحمل في الدائرة، فقم بتعديلها بواسطة فني كهربائي متخصص. وإذا كانت المشكلة في انقطاع التيار الكهربائي، فاتصل بشركة الكهرباء المحلية.
	عدم فتح صنابير إمدادات الماء أو انخفاض ضغط الماء بدرجة كبيرة.	افتح صنابير إمدادات الماء. تحقق من ضغط الماء.
الغسالة لا تدور بشكل صحيح.	عدم غلق غطاء الغسالة كليًا.	أغلق غطاء الغسالة.
	تكديس الملابس بشكل ضخم في جانب واحد من الحوض أو تحميل الغسالة بما يزيد عن طاقتها.	سيقوم جهاز الحاسوب الموجود داخل الغسالة بتصحيح حالة عدم التوازن بشكل ذاتي، إذا كانت الغسالة مزودة به. في حالة عدم تمكن عملية التصحيح الذاتي من حل المشكلة، يجب على المستخدم أن يقوم بضبط الحمولة يدويًا.
	الغسالة ليست على وضع مستقيم.	اجعل الغسالة على وضعية مستقيمة.
	ارتخاء حزام المحرك.	اتصل بفني الخدمة.
بقايا الأوساخ المتروكة في الأسطوانة.	الأنسجة شديدة الاتساع.	نظف الأسطوانة باستخدام منظف منزلي غير مركز، ثم اشطفها. استخدم الفرشاة في التخلص من الأوساخ والرمال الفائضة من على الأنسجة أو رجها قبل الغسيل.
الماء		
ابتلال الغسيل بدرجة زائدة بعد الغسيل.	تحميل الغسالة بما يزيد عن طاقتها.	لا تضع كمية زائدة من الغسيل في الغسالة.
	حدوث حالة عدم توازن في الحمولة.	أعد تنظيم الحمولة إذا لم تؤد التصحيحات الناتجة عن الحاسوب إلى حل المشكلة في الغسالات المزودة بهذه الميزة.
	حدوث التواء في خرطوم التصريف.	افرد خرطوم التصريف على كامل طوله.
الماء لا يصل إلى الغسالة أو يدخل إليها بشكل بطيء.	مصدر الماء غير كافٍ في هذا المكان.	وصلها بصنبور آخر في المنزل. انتظر حتى تزداد قوة إمدادات وضغط الماء.
	صنابير إمدادات الماء غير مفتوحة بشكل كامل.	افتح صنابير الماء الساخن والبارد بشكل تام.
	يتم استخدام الماء بمكان آخر بالمنزل.	يجب ألا يقل ضغط الماء عن ١٠ أرطال (٦٩ كيلو باسكال). تجنب تشغيل المياه بمكان آخر بالمنزل أثناء ملء الغسالة.
	التواء مدخل خرطوم المياه.	افرد الخرطوم على كامل طولها.
مستوى الماء لا يغطي كمية الحمولة الموجودة.	التحديد الخاطئ لمستوى الماء	حدد أعلى مستوى للماء.
	تحميل الغسالة بما يزيد عن طاقتها.	لا تضع كمية زائدة من الغسيل في الغسالة. • يجب ألا يكون مستوى تجفيف الحمولة أعلى من الفتحات العلوية الموجودة في الحوض.
الماء الدافئ أو الساخن غير كافٍ.	ضبط سخان الماء عند درجة منخفضة جدًا أو بمسافة عن الغسالة.	وجود مقياس درجة حرارة الماء الساخنة بالقرب من الصنبور المزود بترموترات اللحوم والعلوى. يجب ألا تقل درجة حرارة الماء عن ١٢٠° فهرنهايت (٥٠° مئوية). ضبط سخان الماء حسب الضرورة.
	يتم استخدام الماء الساخن بمكان آخر بالمنزل.	تجنب استخدام الماء الساخن بمكان آخر بالمنزل قبل أو أثناء استخدام الغسالة. قد لا يكون هناك ما يكفي من الماء الساخن لتنظيف الغسالة بشكل مناسب. إذا استمرت المشكلة، فقد لا يتمكن نظام الماء الساخن من دعم عملية التنظيف أكثر من استخدام واحد فقط في كل مرة.
الماء في الغسالة لا يتصرف أو يتصرف بشكل بطيء.	حدوث التواء أو انسداد في خرطوم التصريف.	نظف وافرد خرطوم التصريف على كامل طوله.
تسرب الماء.	فك وصلة الخرطوم الممتلئ من عند الصنبور أو من الغسالة	تحقق من ربط وصلات الخرطوم بإحكام. ركب الجوانات المطاطية المانعة للتسرب المرفقة.
	انسداد مواسير التصريف المنزلية.	تجنب انسداد مواسير التصريف. اتصل بالسباك في حالة الضرورة.
درجات حرارة الغسيل والشطف غير مناسبة.	توصيل خرطوم المياه الساخن والبارد بشكل خاطئ بصنابير إمدادات الماء.	توصيل خرطوم المياه الساخن بصنبور الماء الساخن وكذلك توصيل خرطوم الماء البارد بصنبور الماء البارد.

المشكلة	الأسباب المحتملة	الحل
الوظيفة		
غطاء الغسالة لا يفتح.	الغسالة في دورة الدوران. وميزة الأمان تمنع فتح الغطاء.	انتظر حتى إكمال دورة الدوران. جدير بالذكر أن الأمر يستغرق دقيقتين حتى يتم إيقاف تشغيل قفل الغطاء بعد إكمال دورة الدوران.
الخضاض يتحرك ببطء.	هذا أمر عادي في وجود وظيفة الاستشعار. تعمل وظيفة الاستشعار على التأكد من غسل ملابسك برفق. توجد ملابس عالقة في الخضاض.	أعد تنظيم الملابس. تم تحديد برنامج غسل خاطئ. اختر برنامج الغسيل المناسب لنوع الملابس.
الخضاض يتحرك ببطء أثناء دورة النقع.	وهذا أمر عادي في دورة النقع.	إذ من العادي أن يتم خض النقع بسرعة منخفضة لمدة ١٥ دقيقة، لتحقيق نتائج أفضل من الغسيل.
الأداء		
الملابس صفراء أو رمادية.	لا توجد منظفات كافية. المياه عسرة. كمية المياه غير كافية. توجد كمية مياه قليلة في الحوض. المنظف لا يذوب. انتقال الصباغة.	استخدم كمية أكبر من المنظفات. استخدم منعم ماء. تحقق من شائبة السخان. تأكد من أن محدد مستوى المياه مطابق لحجم الحمولة. أضف المنظف في نفس الوقت الذي يتم فيه ملء الغسالة بالماء. اعزل الملابس الملونة عن الملابس البيضاء. تحقق مما إذا كان الملصق الخاص بالملابس يشير إلى احتمالية انتقال الصباغة.
توجد بقايا نسالة أو صابون على الملابس.	سوء تصنيف الملابس. زمن الغسيل أكثر من اللازم. المنظف لا يذوب. هناك حمولة زائدة بالغسالة.	اعزل الملابس التي تنتج نسالة (كابنطونات والقوط) عن التي تجمع النسالة (كالقطن والبوليستر). اغسل كميات ملابس صغيرة لتقليل الوقت. أضف المنظف أثناء ملء الحوض بالماء قبل تحميل الملابس. استخدم منظفًا سائلاً وماءً أكثر سخونة. قم بتحميل الملابس بحيث لا تزيد عن آخر خط من الثقب في حوض الغسيل. تأكد من أن مستوى المياه مطابق للملابس التي قمت بتحميلها. أزل بعض الأغراض من الحوض أو أضف المزيد من المياه. تبع إرشادات الشركة المصنعة واستخدم موزع المنظفات (إذا كانت الغسالة مزودة به).
الملابس بالية بشكل زائد عن الحد.	يمكن أن يحدث هذا في بعض الأحيان عند خلط الملابس المصنوعة من البوليستر مع الملابس القطنية. توجد دبائيس وإبريمات أحزمة وعناصر حادة في الجيوب. مبيضات مركزية. استخدام مواد كيميائية على الملابس.	الغسالة ليست السبب في هذا، ولكنها قد تُبْطِئ من تدوير الملابس. اربط الخطاطيف والسوست وأغلق الأزرار الحادة. اقلب الملابس المنسوجة على ظهرها. انظر إرشادات الشركة المصنعة المتعلقة باستخدام الكميات الصحيحة. لا تستخدم مبيضاً مركزاً للغسيل. أشطف الأغراض التي تحتوي على هذه المواد الكيميائية بصورة منفصلة قبل وضعها في الحوض.
توجد تجاعيد أكثر من اللازم.	سوء تصنيف الملابس. الحمولة زائدة أو مستوى المياه غير صحيح. دورات الغسيل والتجفيف غير صحيحة. تكرار الغسيل في نفس المياه.	تجنب خلط الملابس الثقيلة مع الملابس الخفيفة. استخدم منعم أنسجة. قم بتحميل الغسالة بطريقة تتيح للملابس التحرك بحرية في الماء. اضبط الدورة المناسبة للأنسجة التي تغسلها. اغسل الملابس في ماء دافئ أو بارد.
توجد رغوة أكثر من اللازم.	تأكد من نوع المنظف. الماء يسر للغاية. توجد كمية منظفات أكثر من اللازم.	استخدم منظفًا ينتج رغاوى قليلة واتباع إرشادات الشركة المصنعة. استخدم كمية أقل من المنظفات. قم بقياس كمية المنظف بعناية.

---

## ملاحظات

---

## ملاحظات